

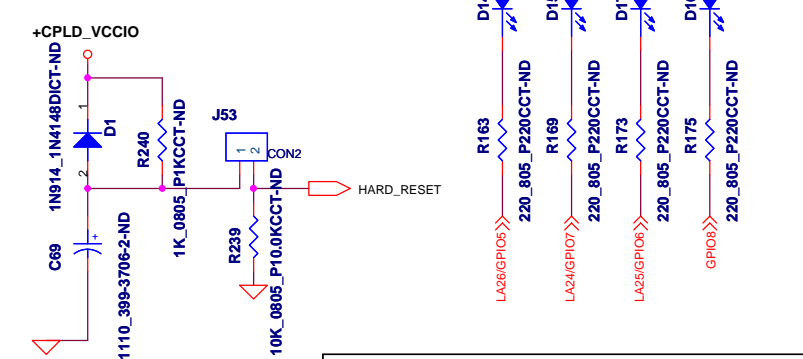
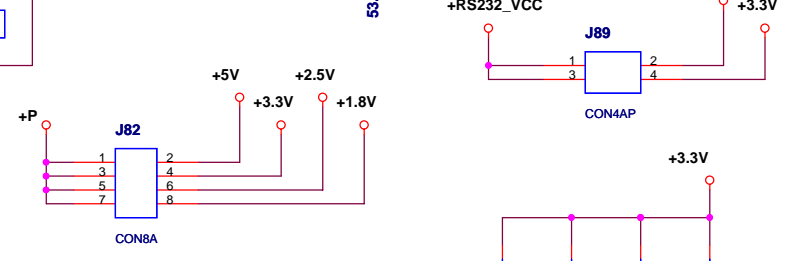
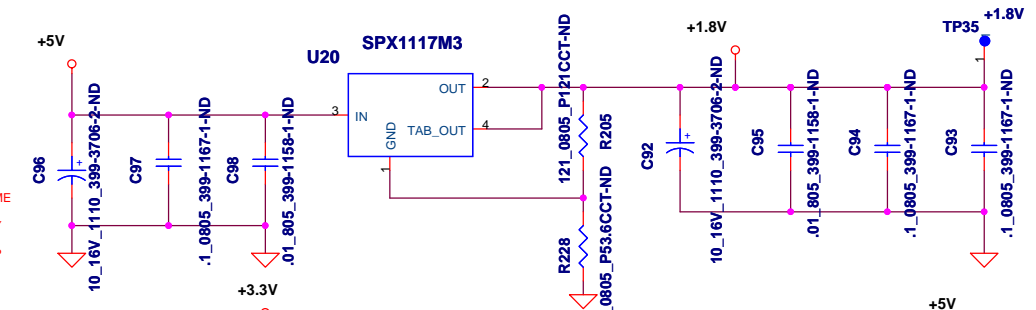
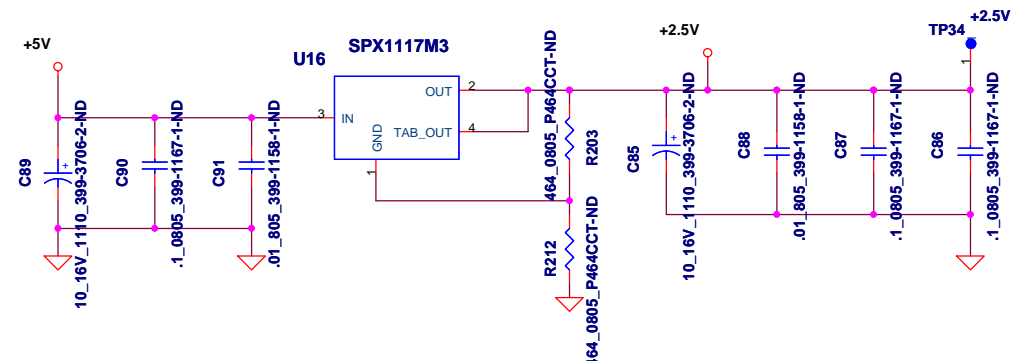
NOTES: LENGTH IS 2.5" - CHECK

NOTES: DO NOT INSTALL

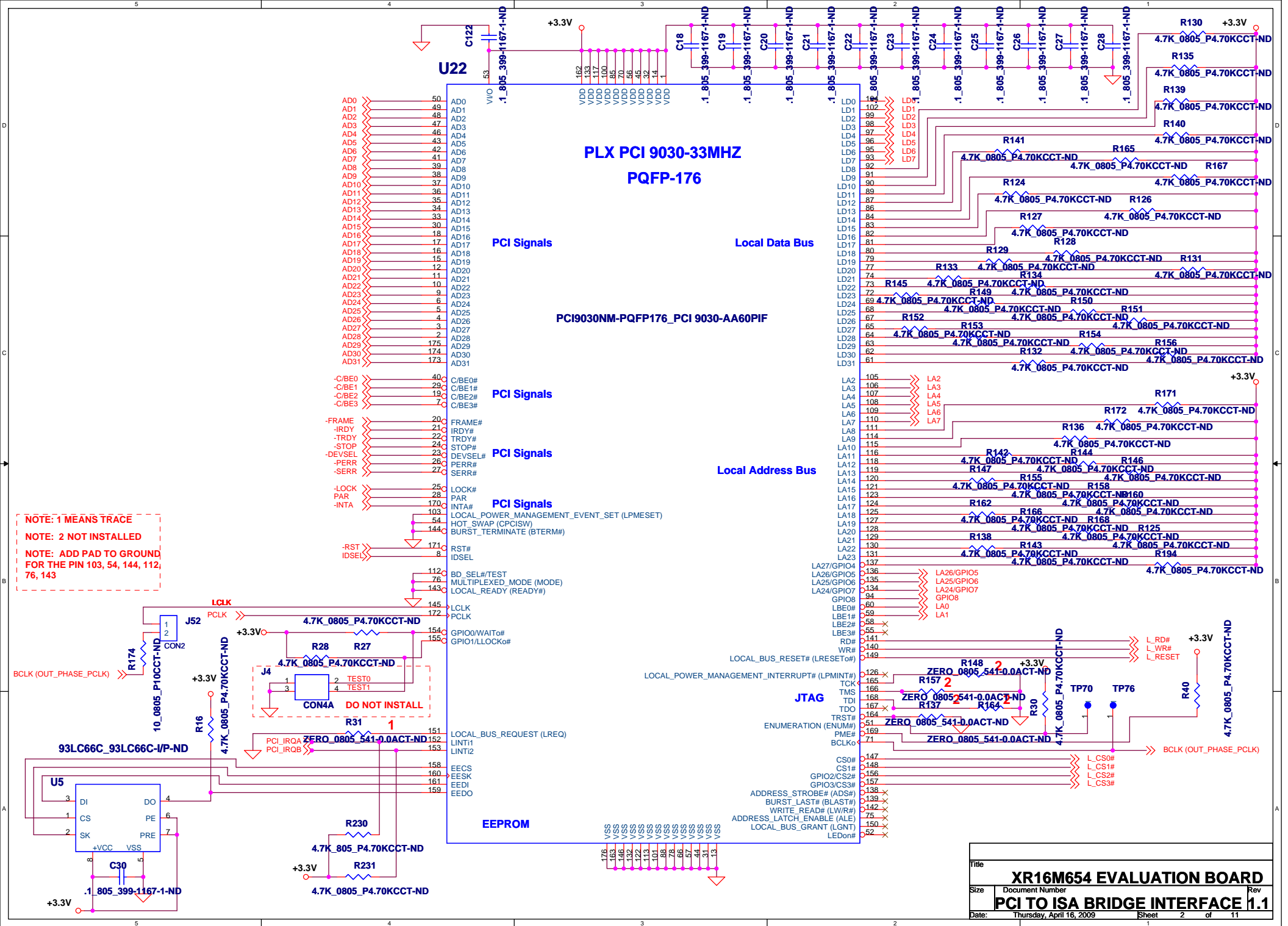
NOTES: DO NOT INSTALL

NOTES: DO NOT INSTALL

NOTES: PLACE BYPASS CAP PER POWER PIN



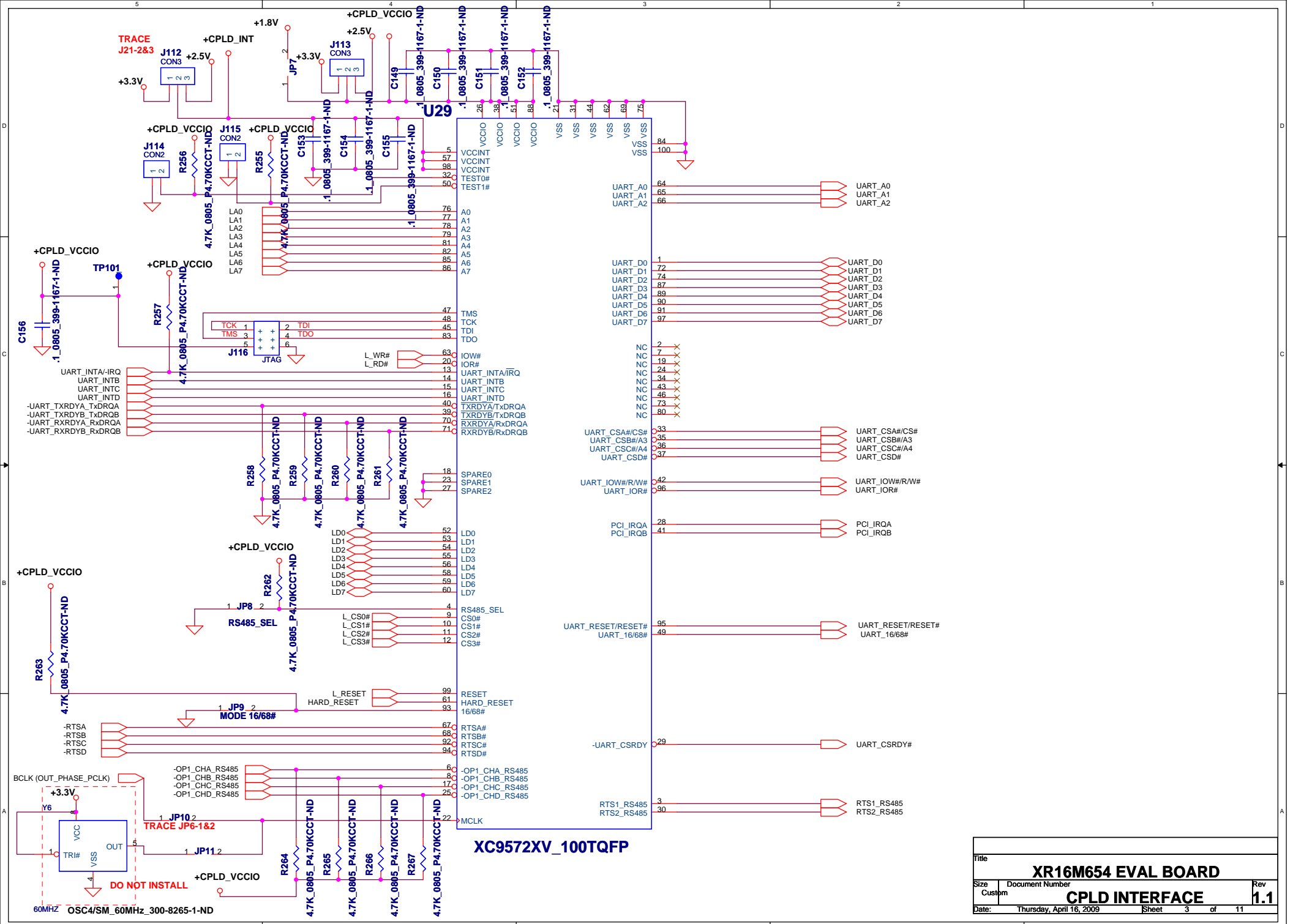
Title		XR16M654 EVALUATION BOARD	
Size	Document Number	Custom	Rev
Date:		PCI INTERFACE	
Thursday, April 16, 2009	Sheet	1	of 11



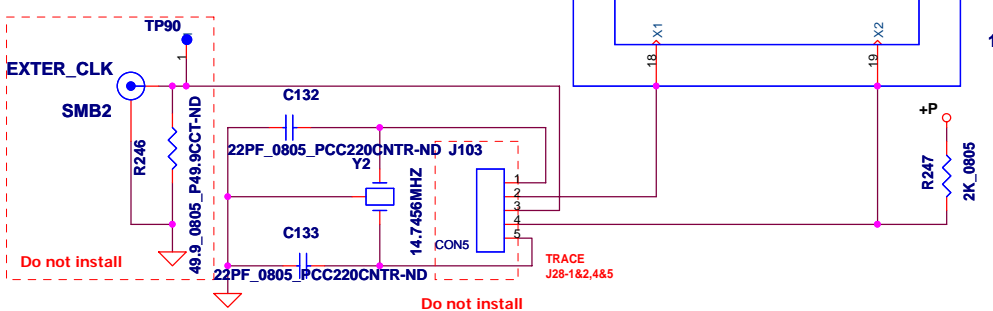
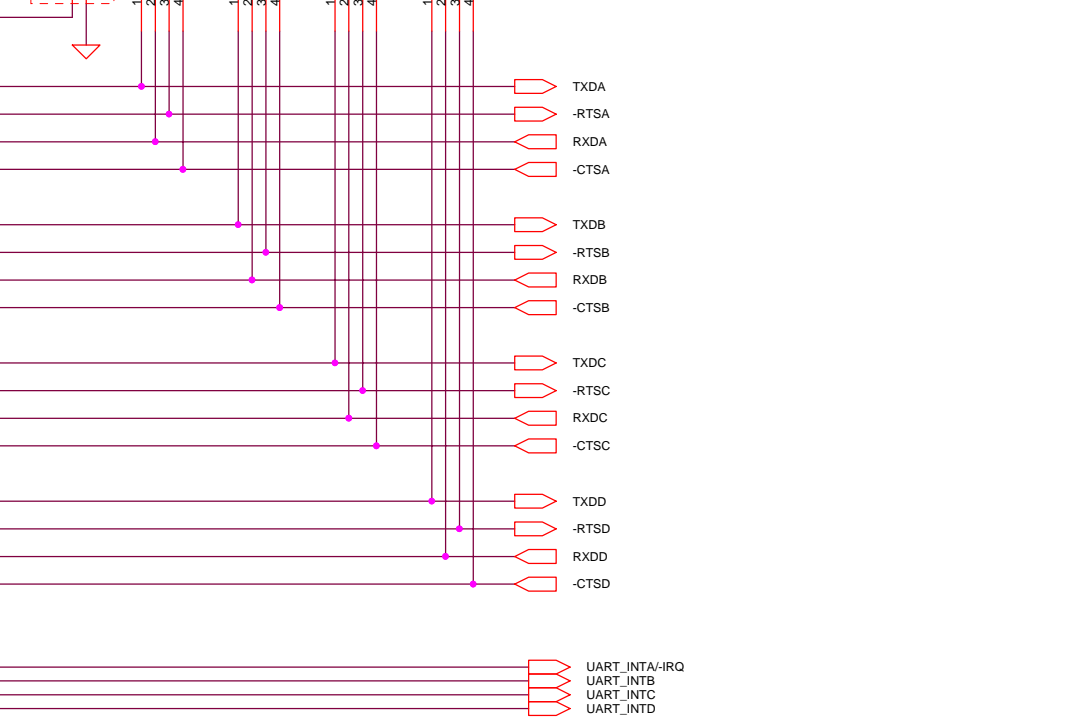
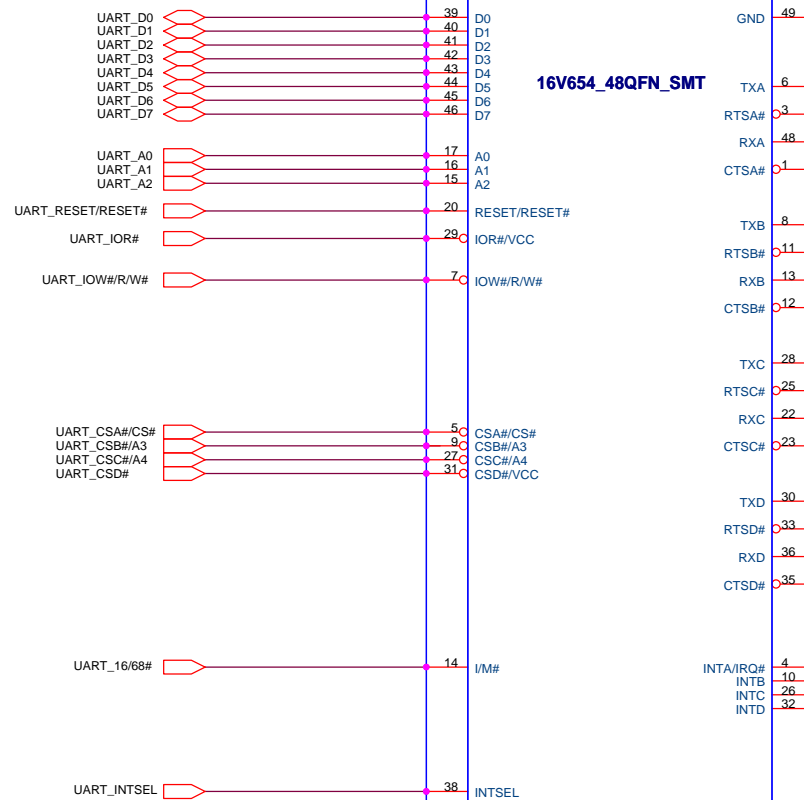
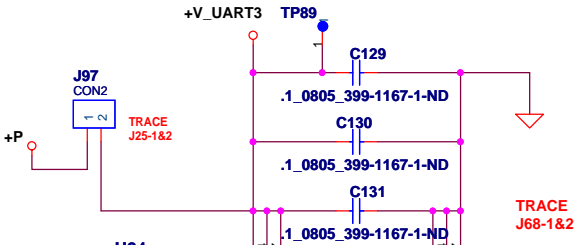
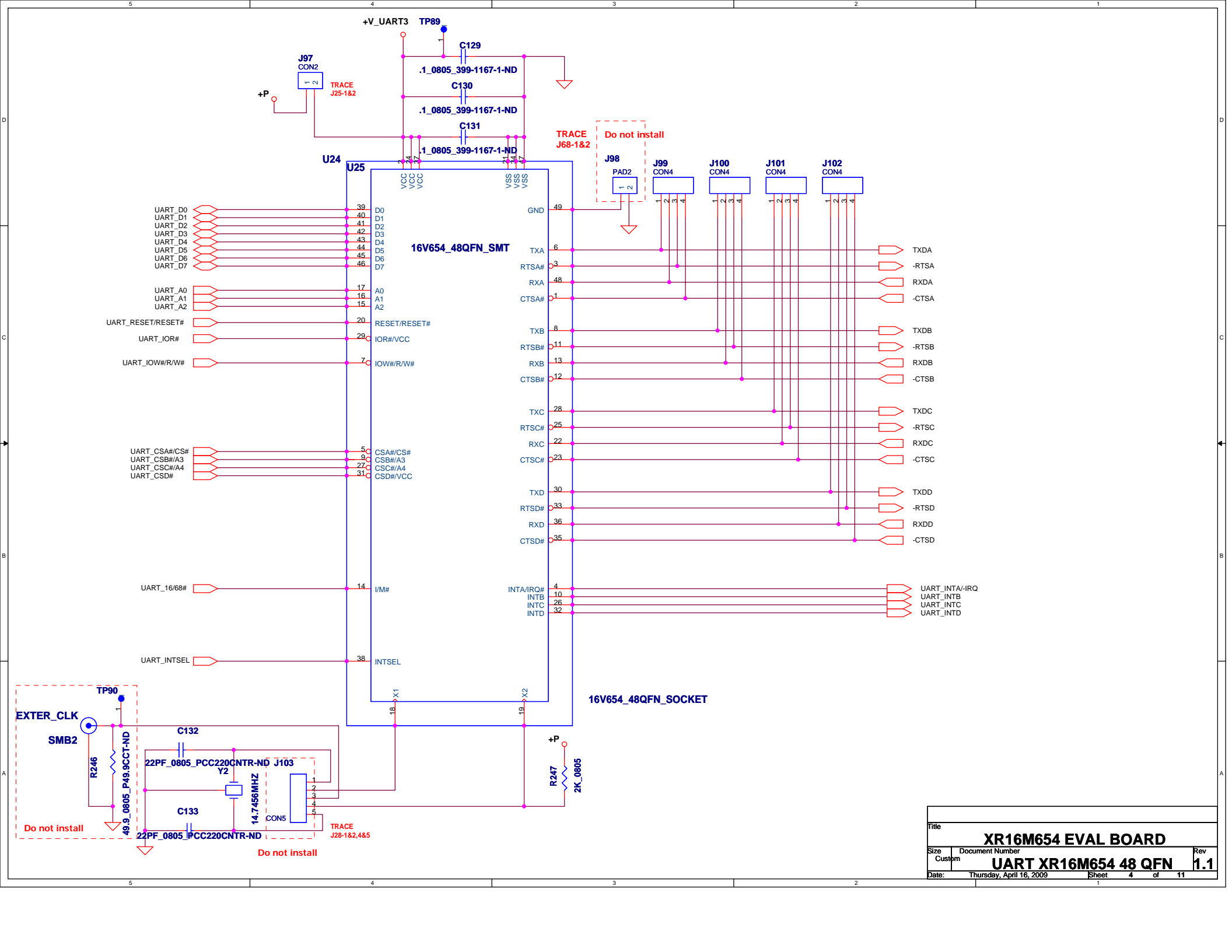
NOTE: 1 MEANS TRACE
 NOTE: 2 NOT INSTALLED
 NOTE: ADD PAD TO GROUND
 FOR THE PIN 103, 54, 144, 112,
 76, 143

DO NOT INSTALL

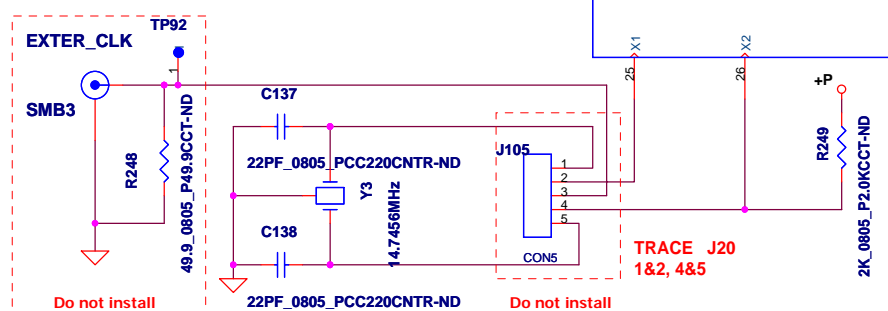
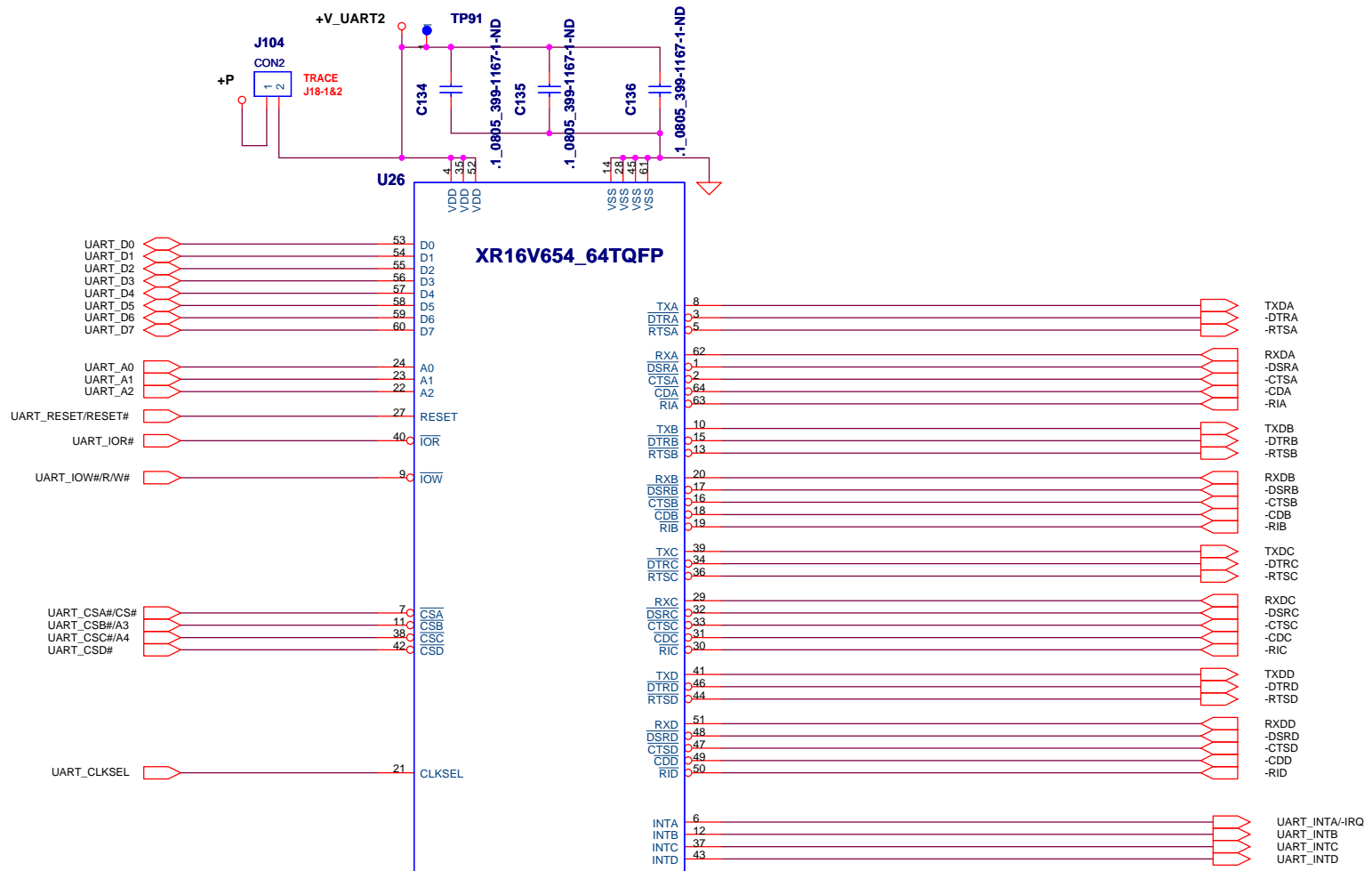
Title		
XR16M654 EVALUATION BOARD		
Size	Document Number	Rev
PCI TO ISA BRIDGE INTERFACE 1.1		
Date:	Thursday, April 16, 2009	Sheet 2 of 11



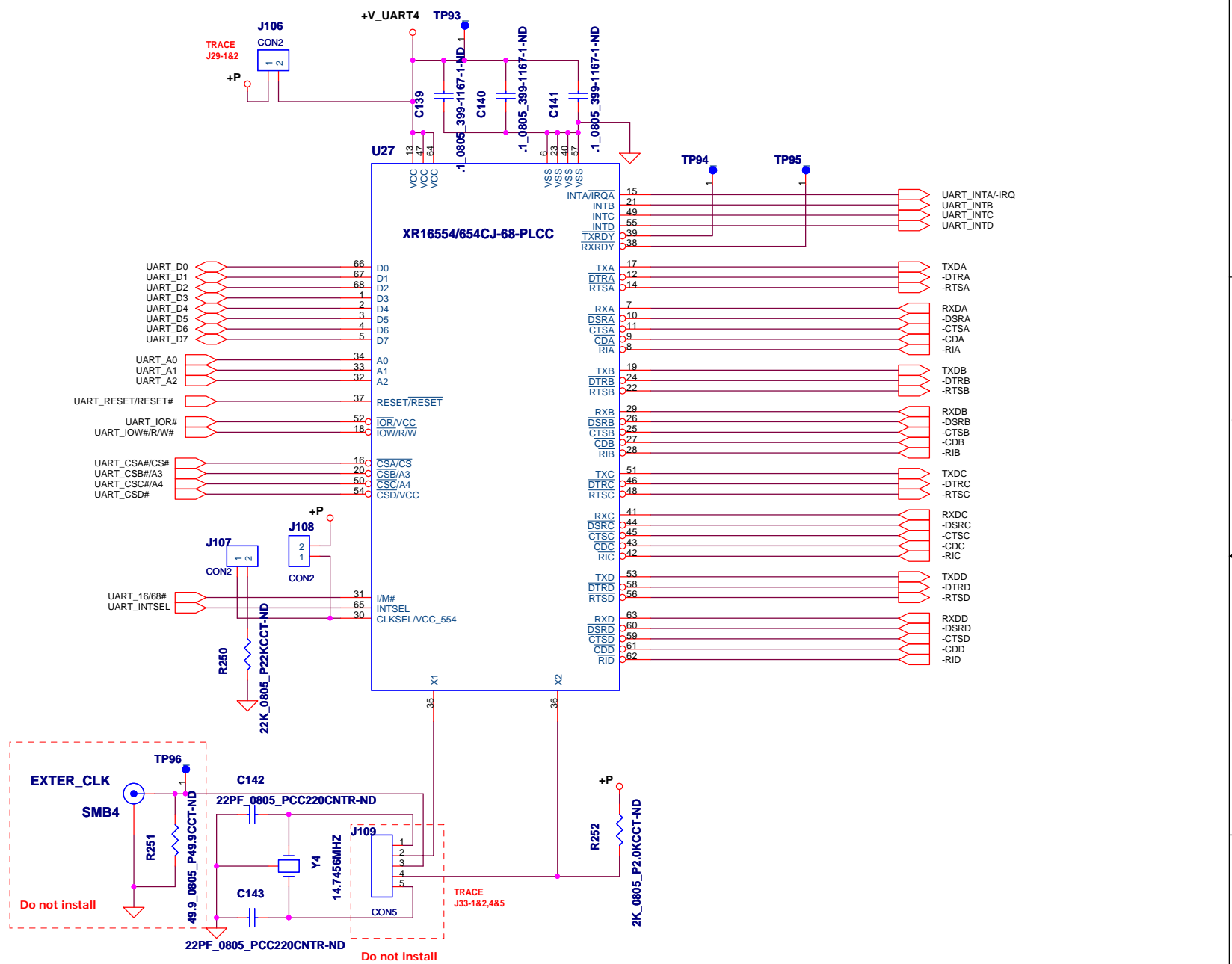
Title			
XR16M654 EVAL BOARD			
Size	Document Number	Rev	
Custom	CPLD INTERFACE		1.1
Date:	Thursday, April 16, 2009	Sheet	3 of 11



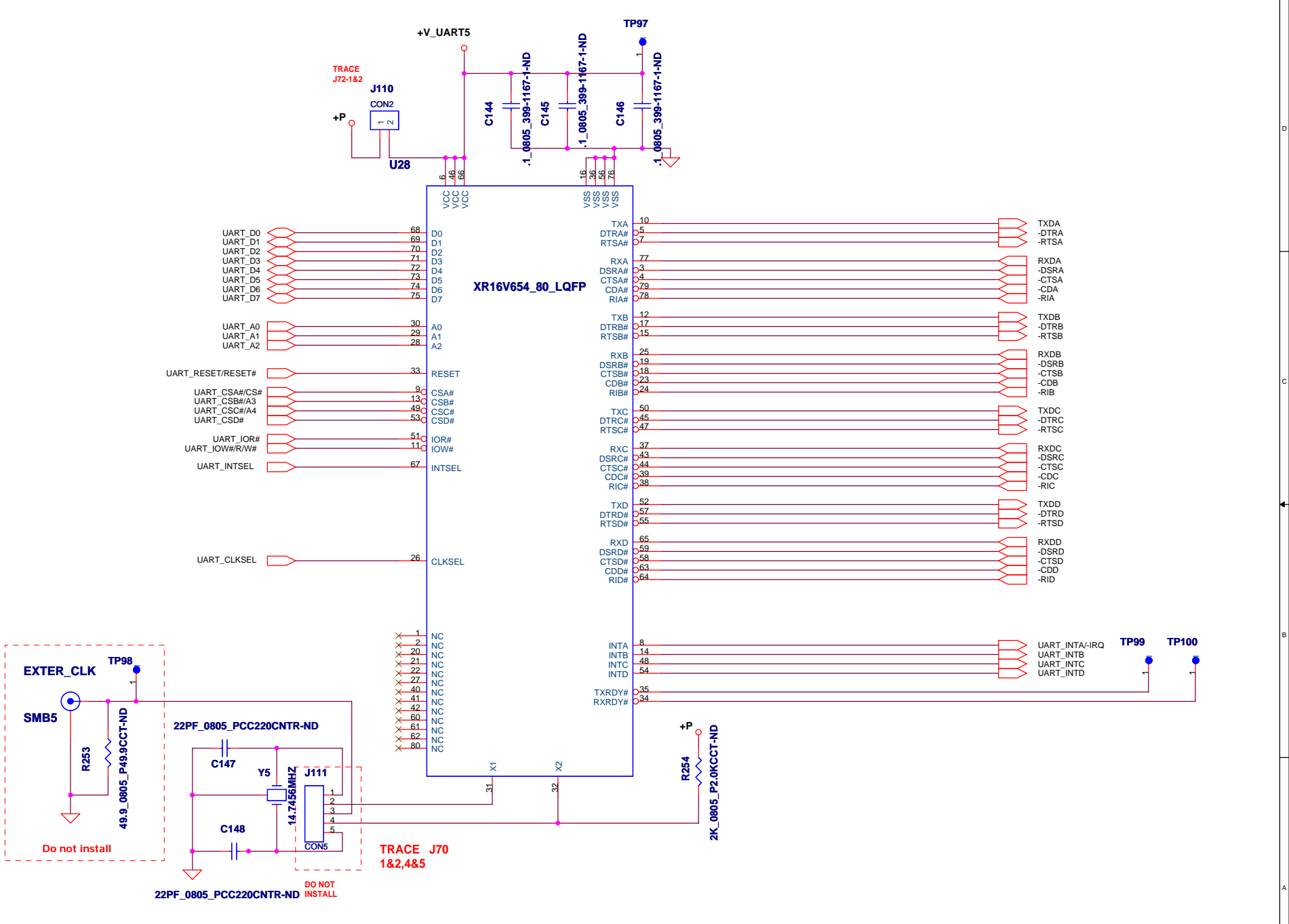
Title		
XR16M654 EVAL BOARD		
Size	Document Number	Rev
Custom	UART XR16M654 48 QFN	1.1
Date:	Thursday, April 16, 2009	Sheet 4 of 11



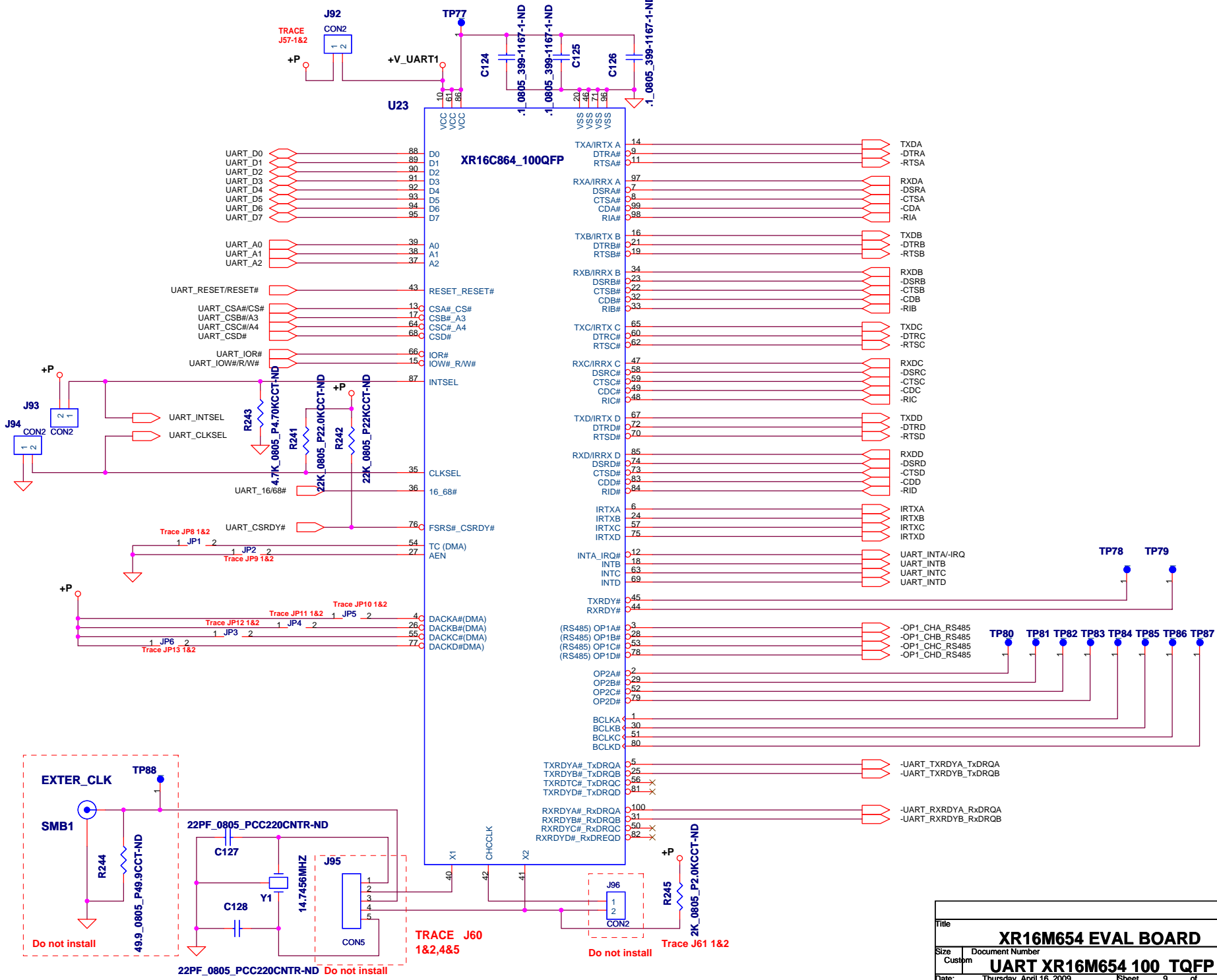
Title			XR16M654 EVAL BOARD
Size	Document Number	Rev	
Custom	UART XR16M654 64TQFP	1.1	
Date:	Thursday, April 16, 2009	Sheet	5 of 11



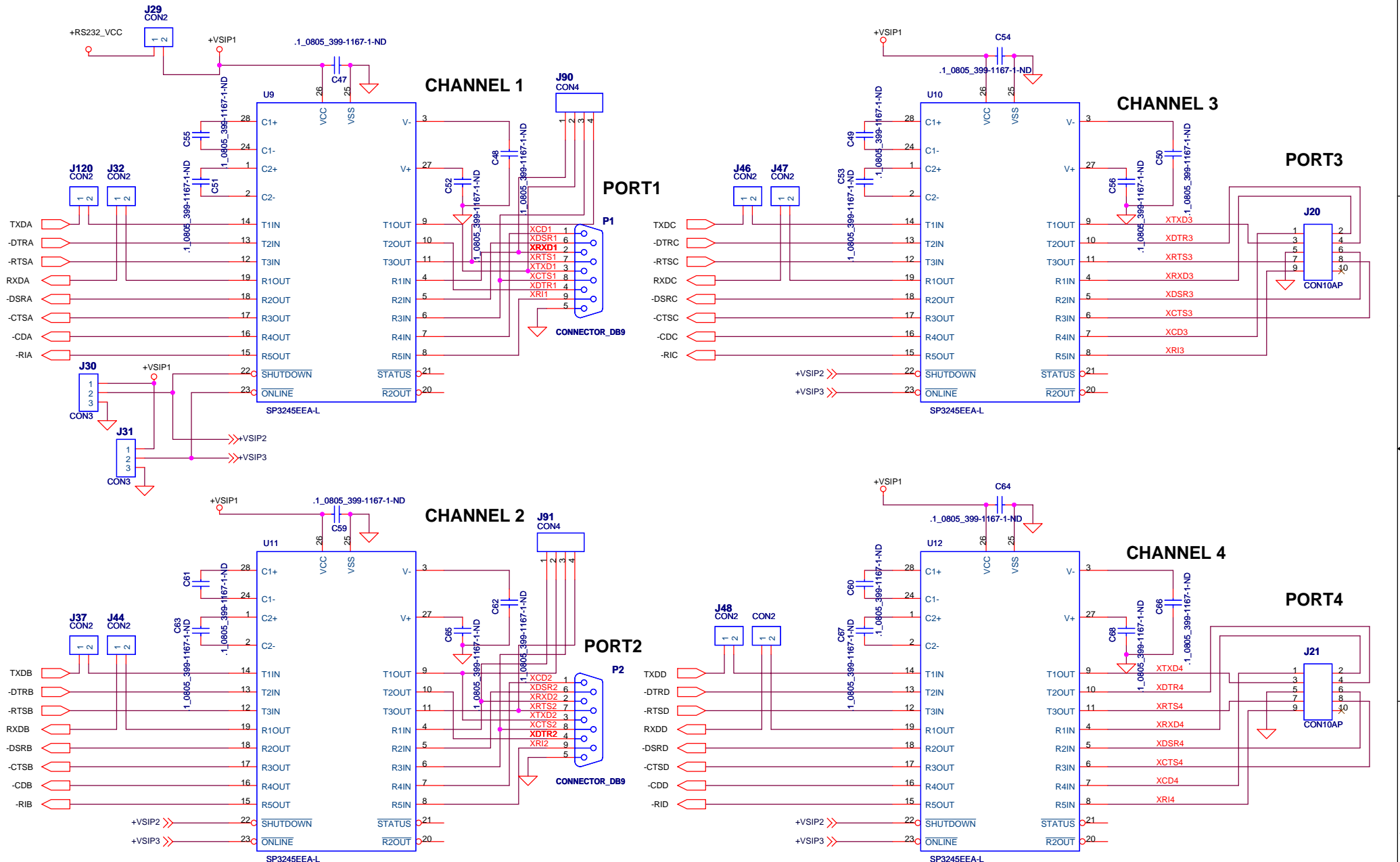
Title		
XR16M654 EVAL BOARD		
Size	Document Number	Rev
Custom	UART XR16M654-68 PLCC	1.1
Date:	Thursday, April 16, 2009	Sheet 6 of 11



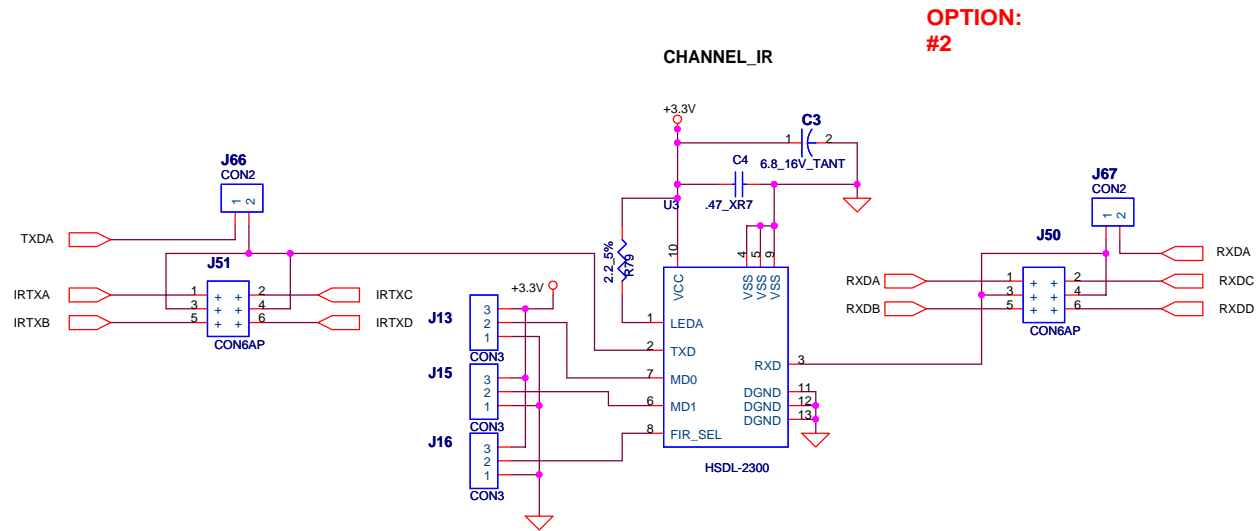
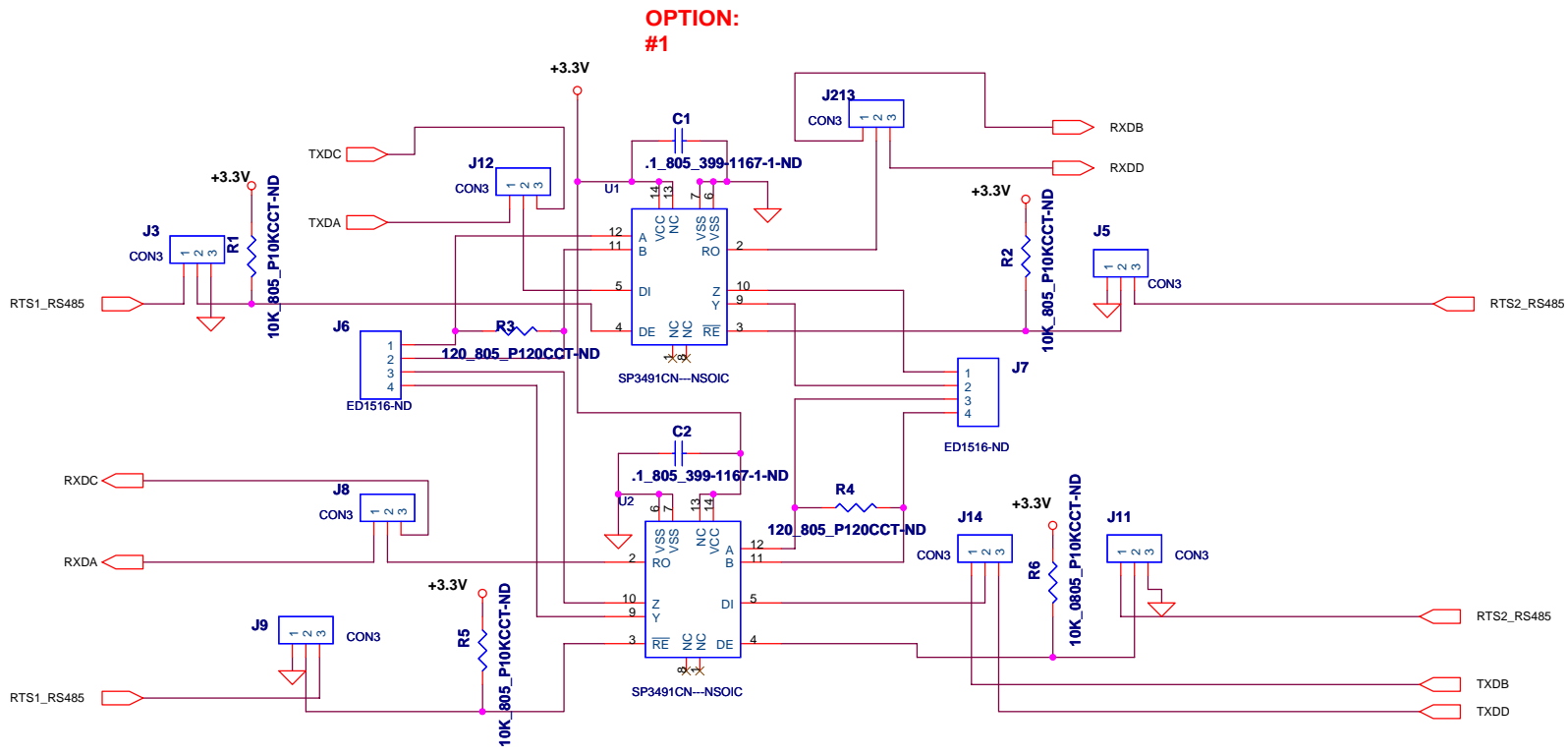
Title		
XR16M654 EVAL BOARD		
Size	Document Number	Rev
Custom	UART XR16M654 80 LQFP	1.1
Date:	Thursday, April 16, 2009	Sheet 7 of 11



Title		
XR16M654 EVAL BOARD		
Size	Document Number	Rev
Custom	UART XR16M654 100 TQFP	1.1
Date:	Thursday, April 16, 2009	Sheet 9 of 11



Title			XR16M654 EVAL BOARD
Size	Document Number	Rev	
Custom	RS-232 INTERFACE	1.1	
Date:	Thursday, April 16, 2009	Sheet	10 of 11



Title		
XR16M654 EVALUATION BOARD		
Size	Document Number	Rev
Custom	RS422 IR INTERFACE	1.1
Date:	Thursday, April 16, 2009	Sheet 11 of 11