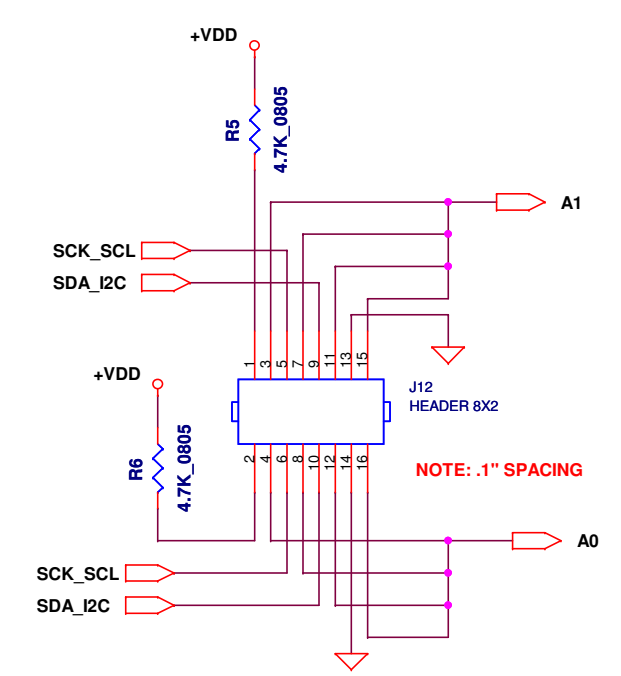
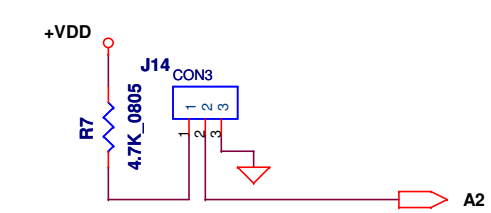


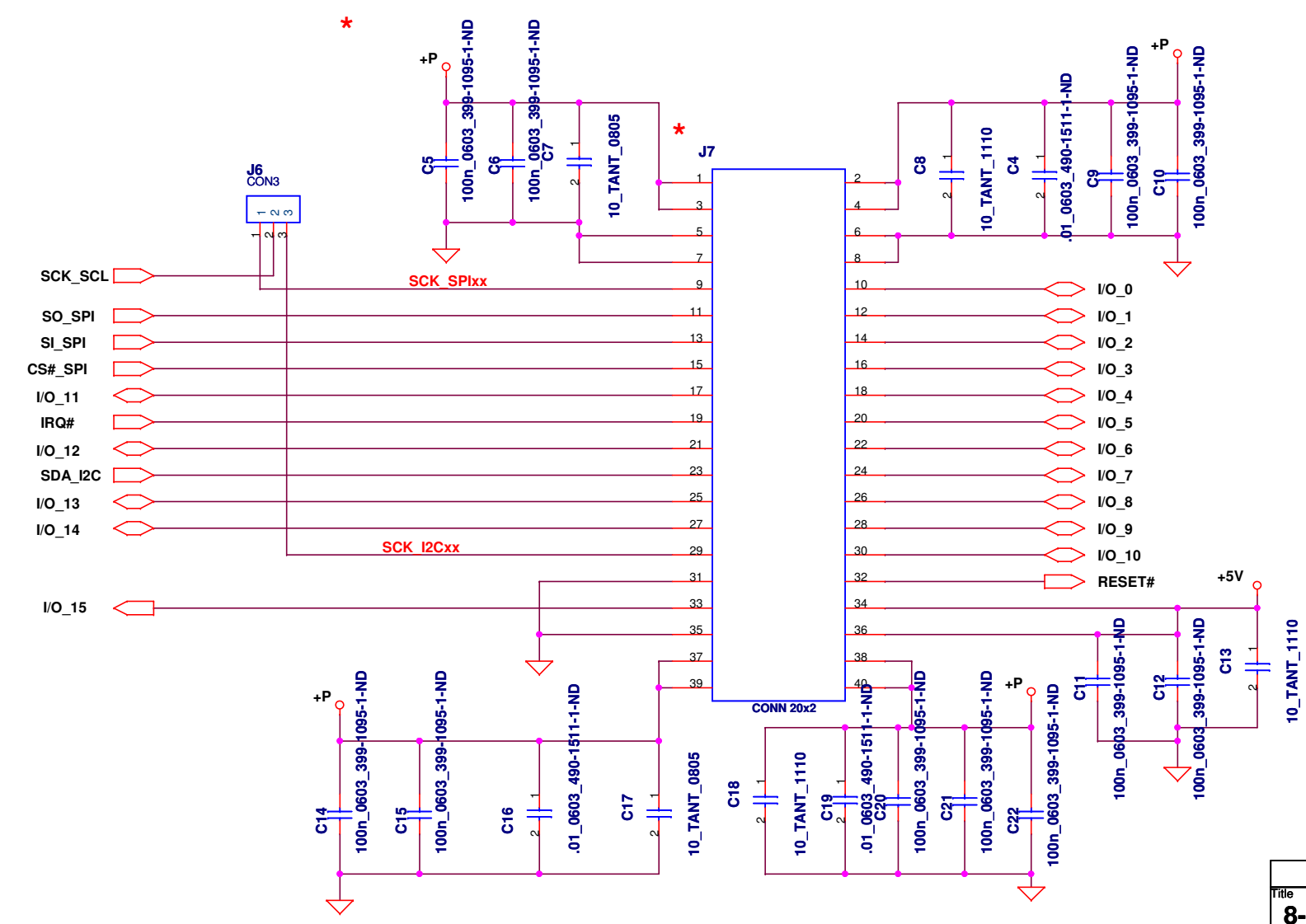
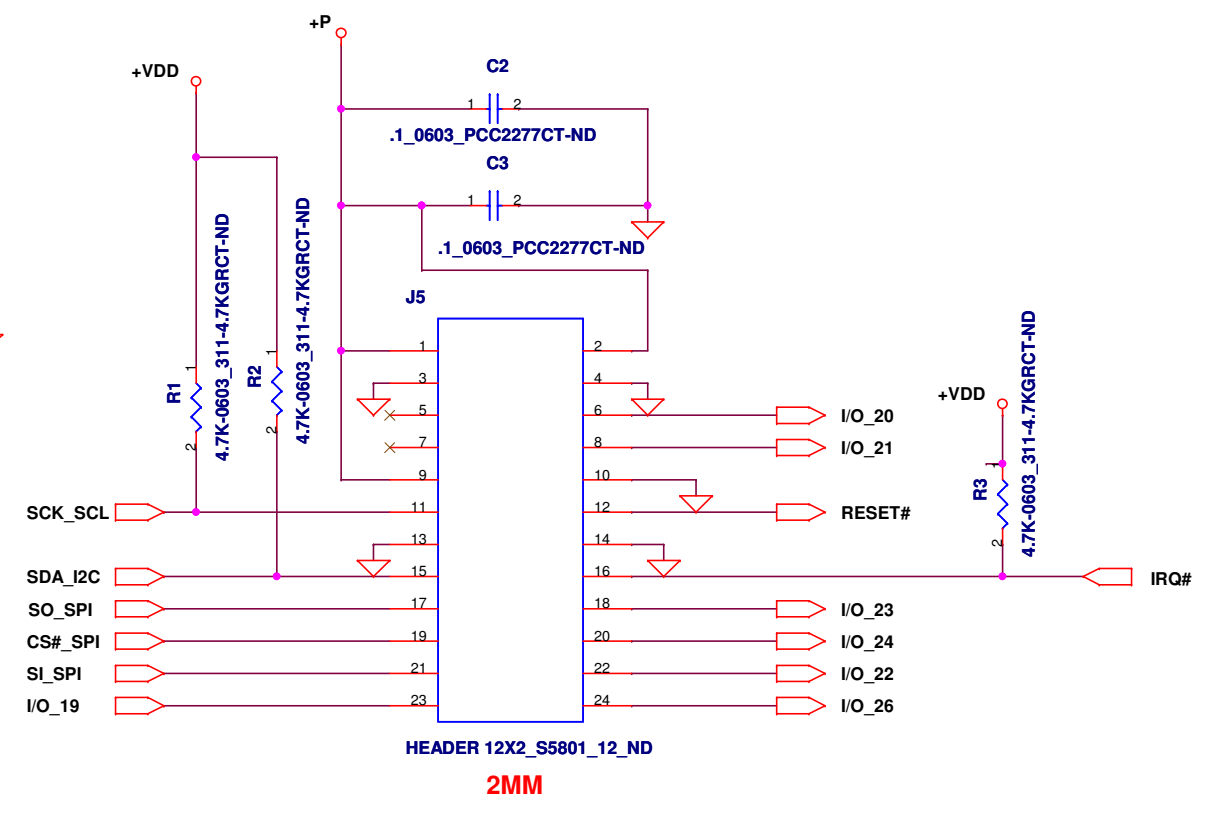
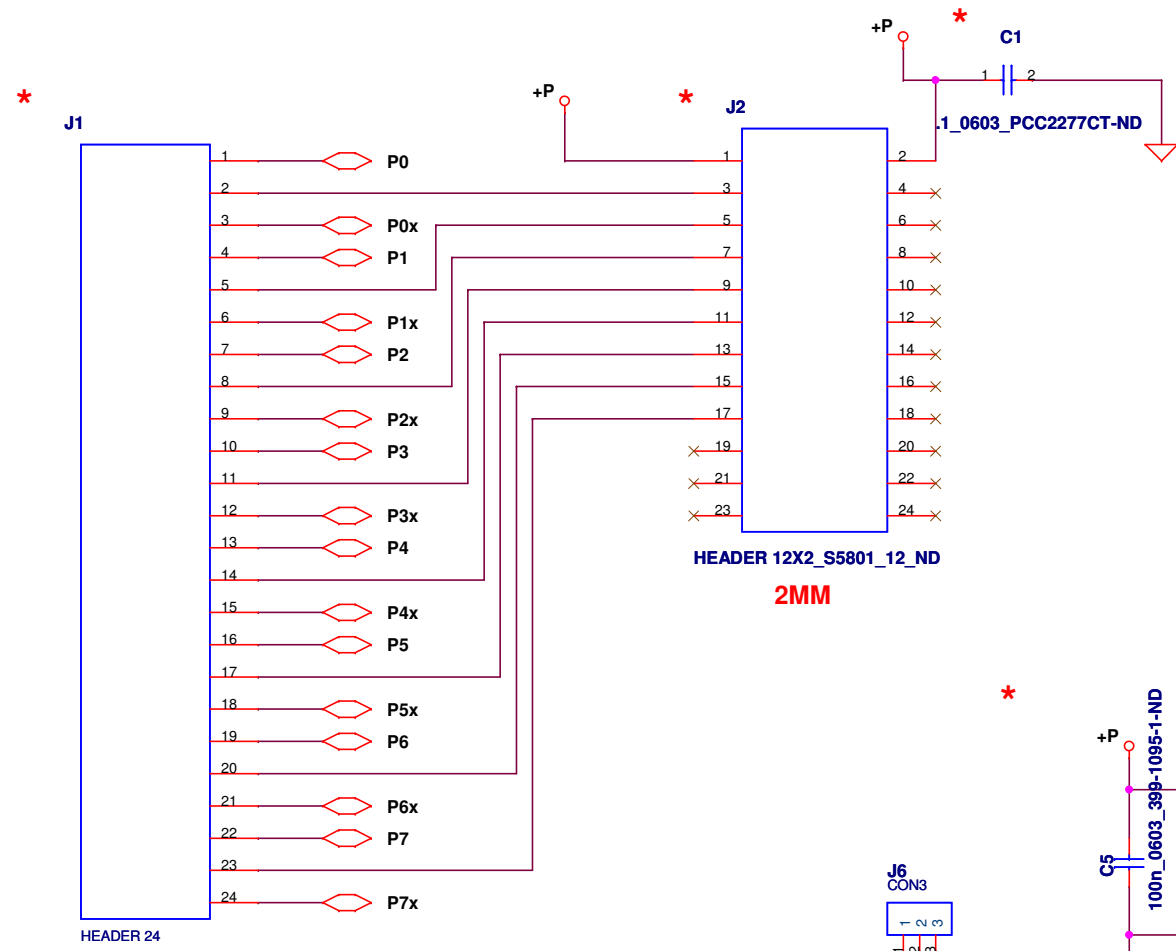
NOTE: .1" SPACING



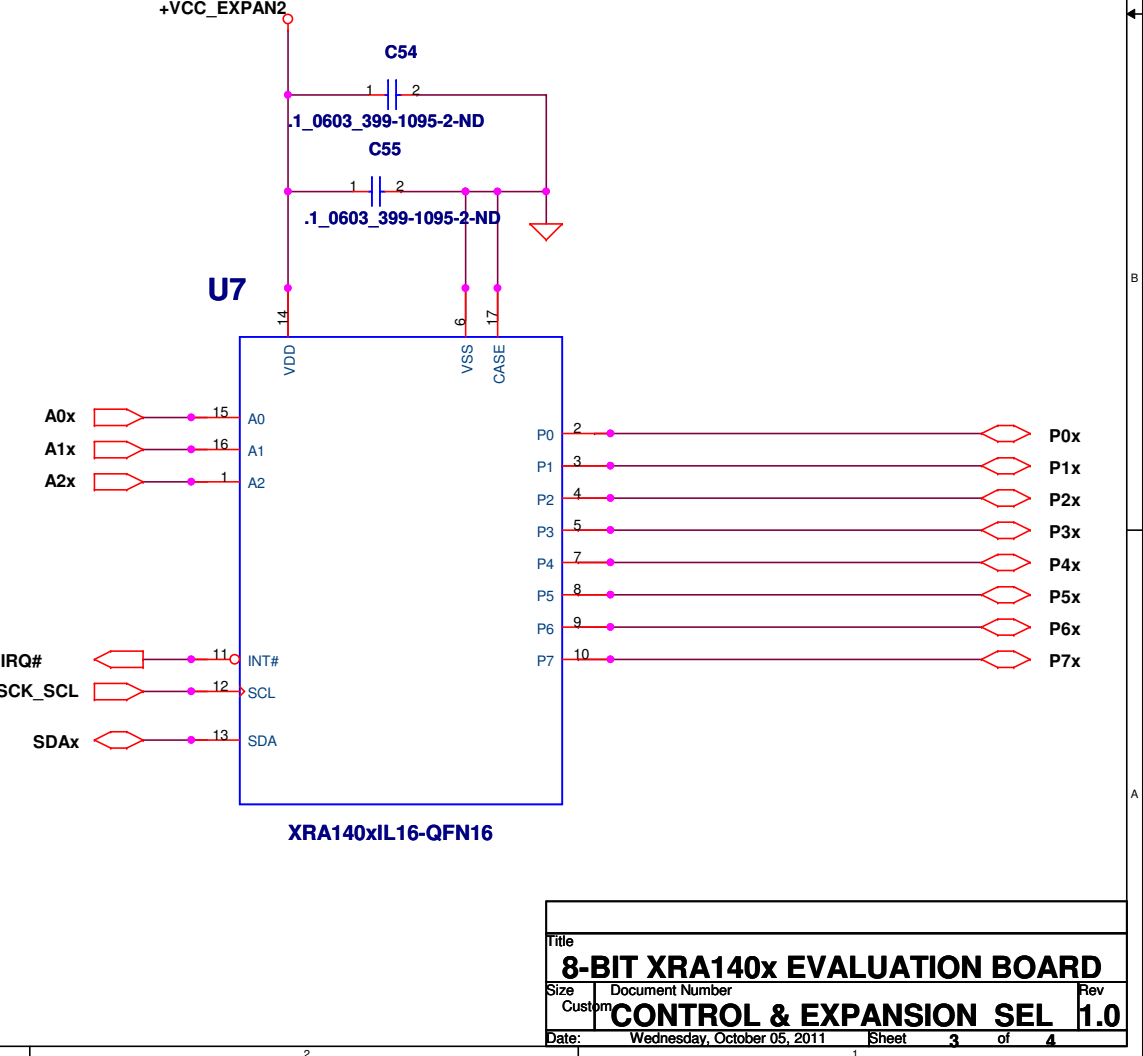
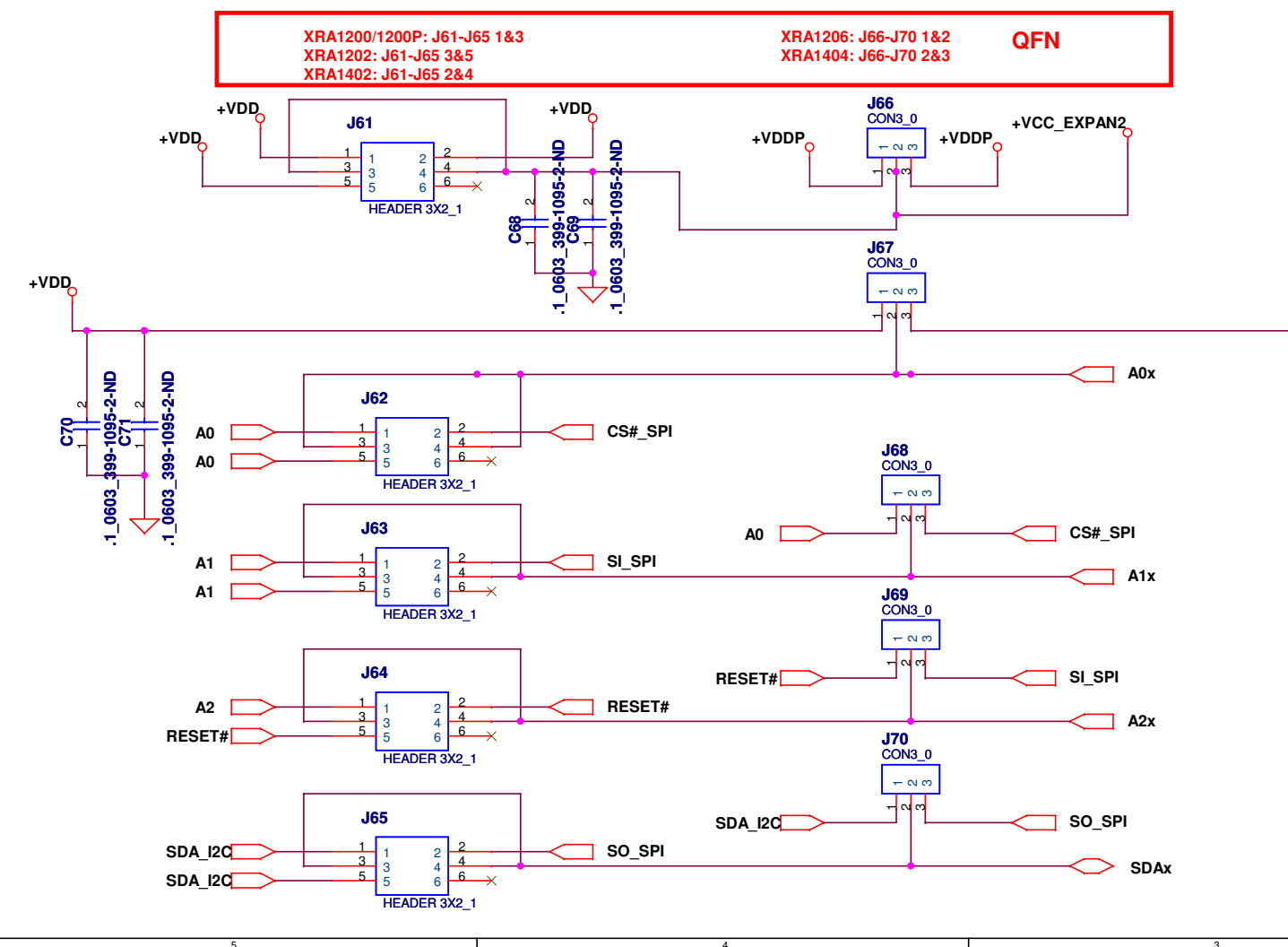
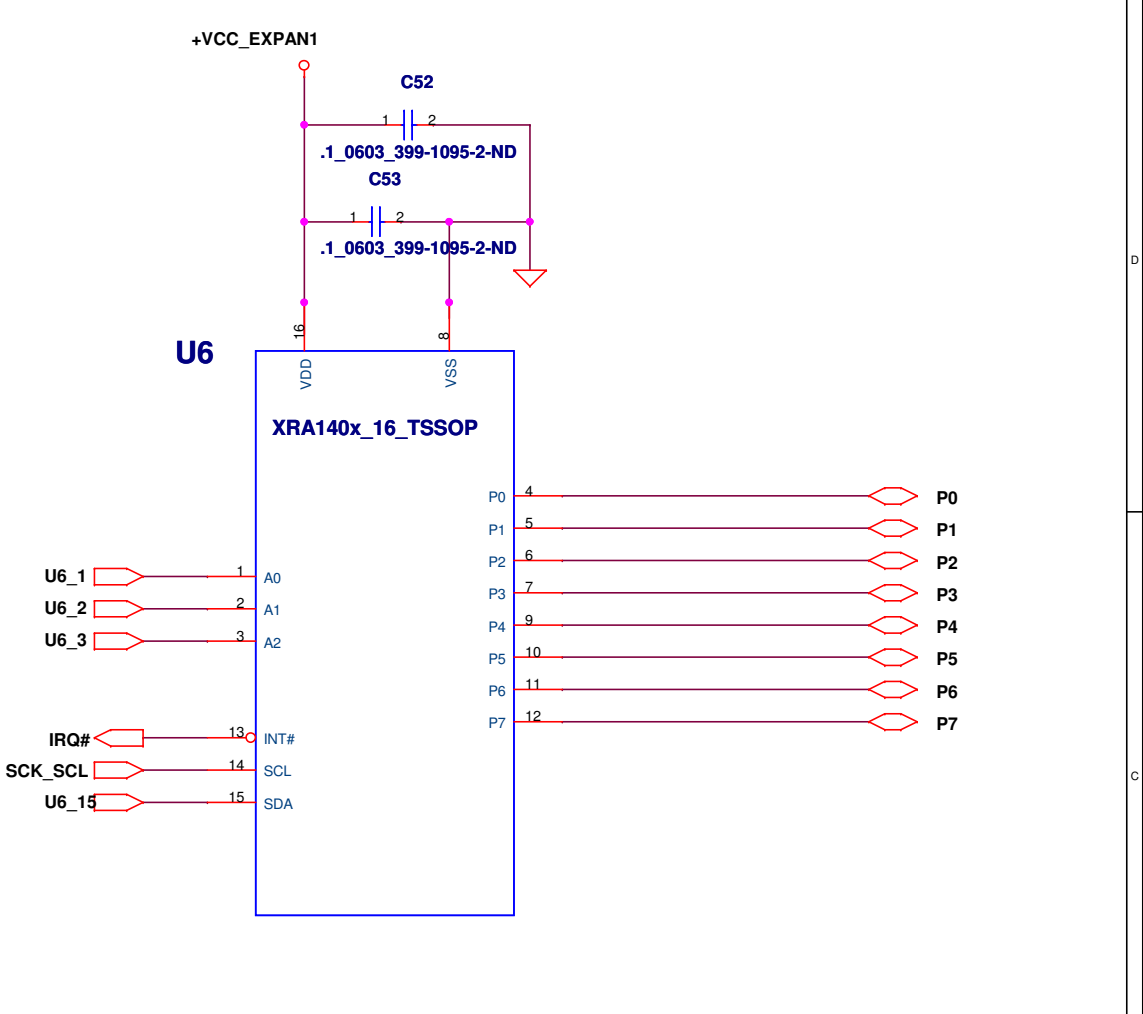
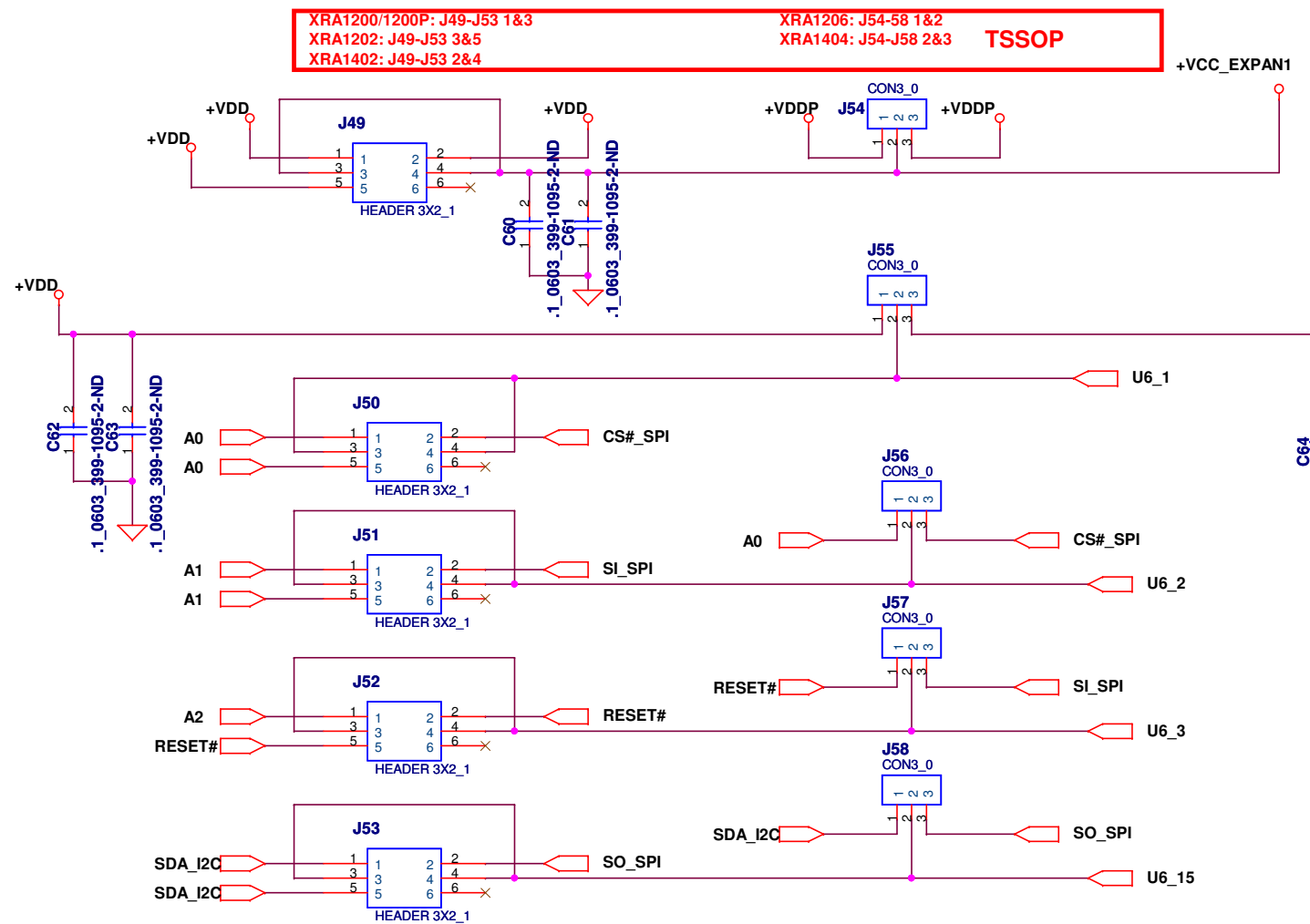
NOTE: .1" SPACING



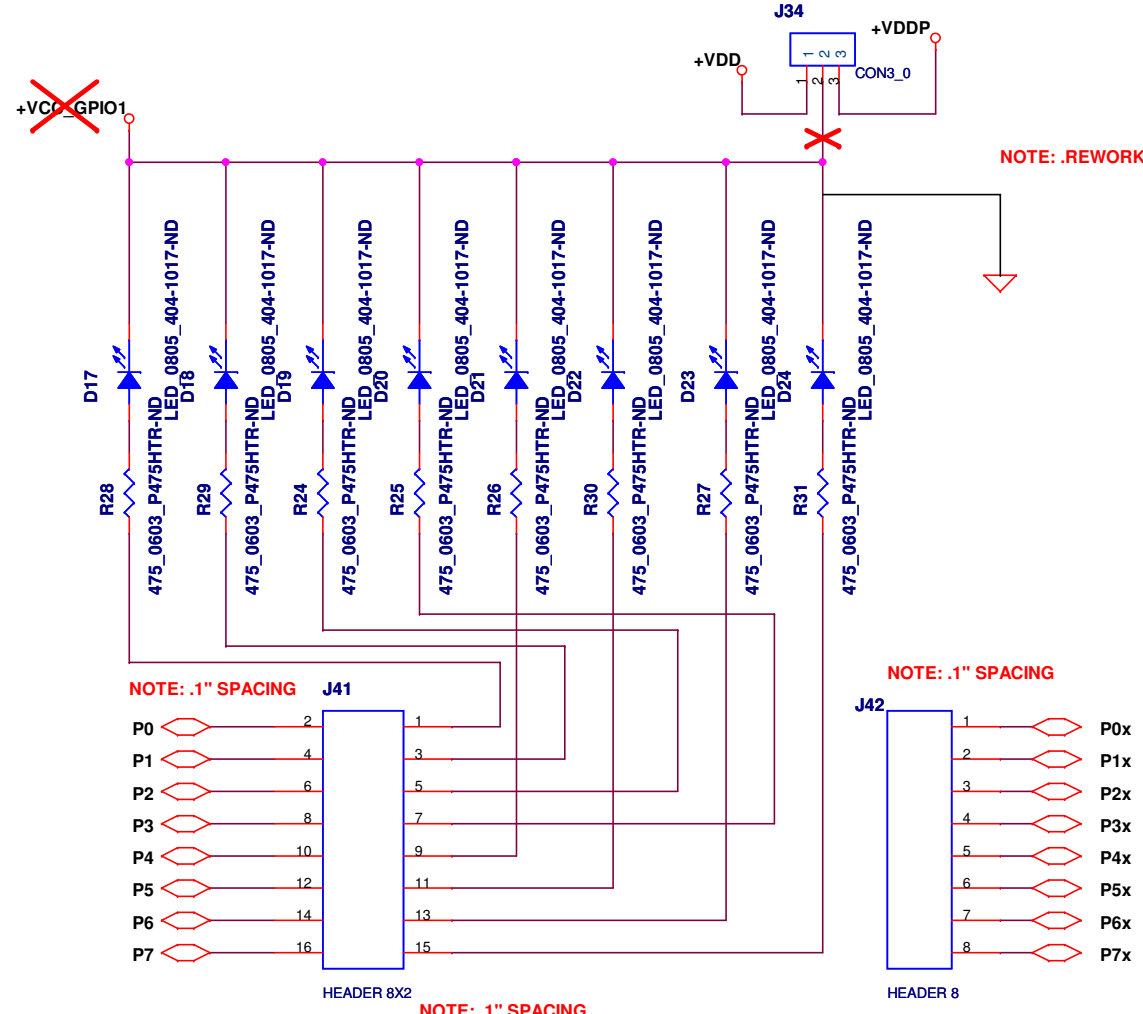
NOTE: ZERO OHM ACROSS J41 WHEN QFN DEVICE IS USED



Title		
8-BIT XRA140x EVALUATION BOARD		
Size	Document Number	Rev
POWER AND INTERCONNECTION 1.0		
Date:	Wednesday, October 05, 2011	Sheet 2 of 4



Title		
8-BIT XRA140x EVALUATION BOARD		
Size	Document Number	Rev
Custom	CONTROL & EXPANSION SEL	1.0
Date:	Wednesday, October 05, 2011	Sheet 3 of 4



NOTE: ZERO OHM ACROSS J41 WHEN QFN DEVICE IS USED

