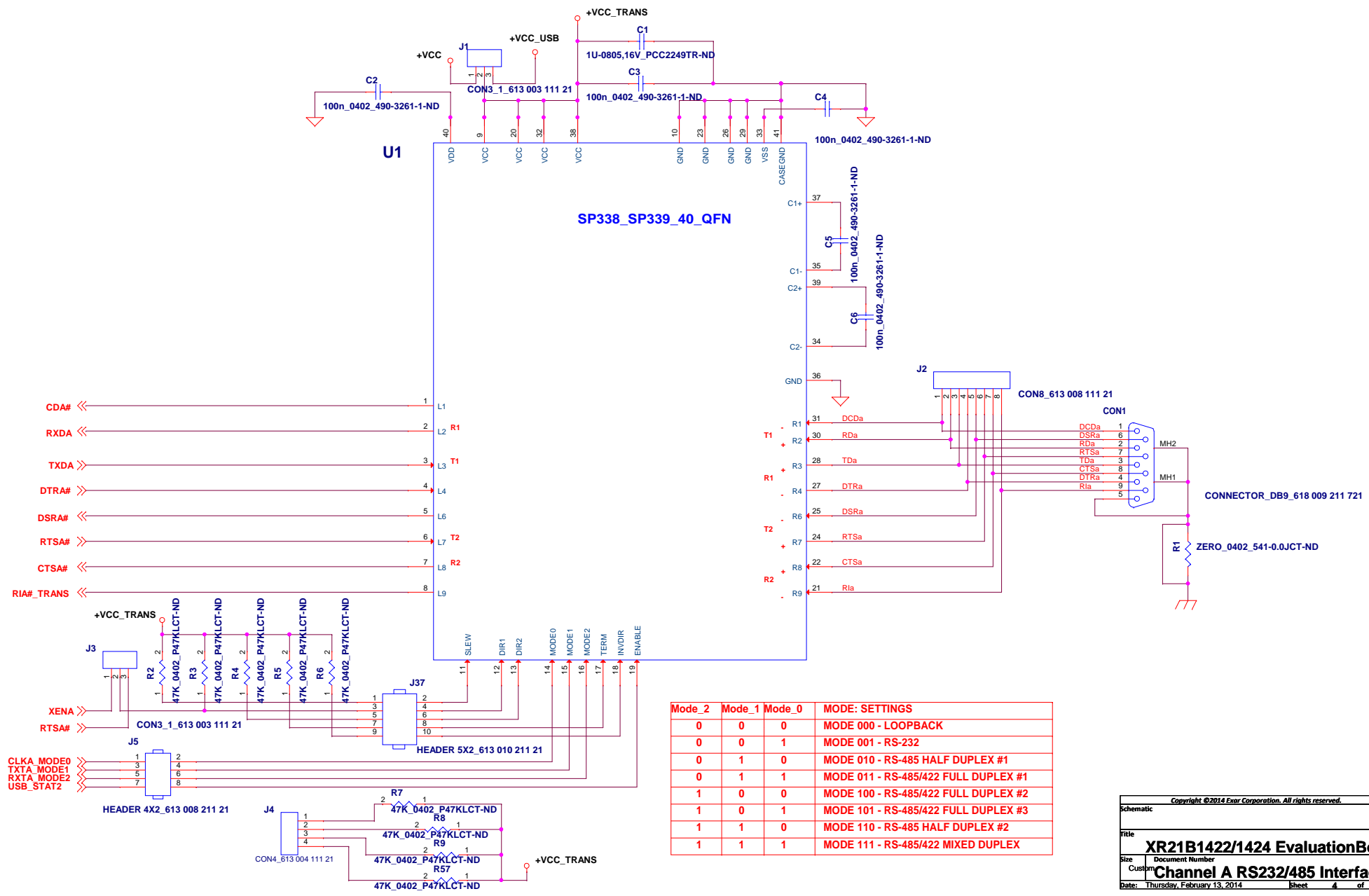


- Notes:**
- 1) DNI J34 if UART +VCC_REG is connected to +5V (VCC_USB)
+3.3V out if VCC_REG is connected to +3.3V
 - 2) VCC is +3.3V input if VCC_REG is connected to +5V and
+3.3V out if VCC_REG is connected to +3.3V

Copyright ©2014 Exar Corporation. All rights reserved.			
Schematic			
Title			
Size		Document Number	
Custom	XR21B1420/21-28 INTERFACE		Rev
Date: Thursday, February 13, 2014		Sheet 3 of 8	



Mode_2	Mode_1	Mode_0	MODE: SETTINGS
0	0	0	MODE 000 - LOOPBACK
0	0	1	MODE 001 - RS-232
0	1	0	MODE 010 - RS-485 HALF DUPLEX #1
0	1	1	MODE 011 - RS-485/422 FULL DUPLEX #1
1	0	0	MODE 100 - RS-485/422 FULL DUPLEX #2
1	0	1	MODE 101 - RS-485/422 FULL DUPLEX #3
1	1	0	MODE 110 - RS-485 HALF DUPLEX #2
1	1	1	MODE 111 - RS-485/422 MIXED DUPLEX

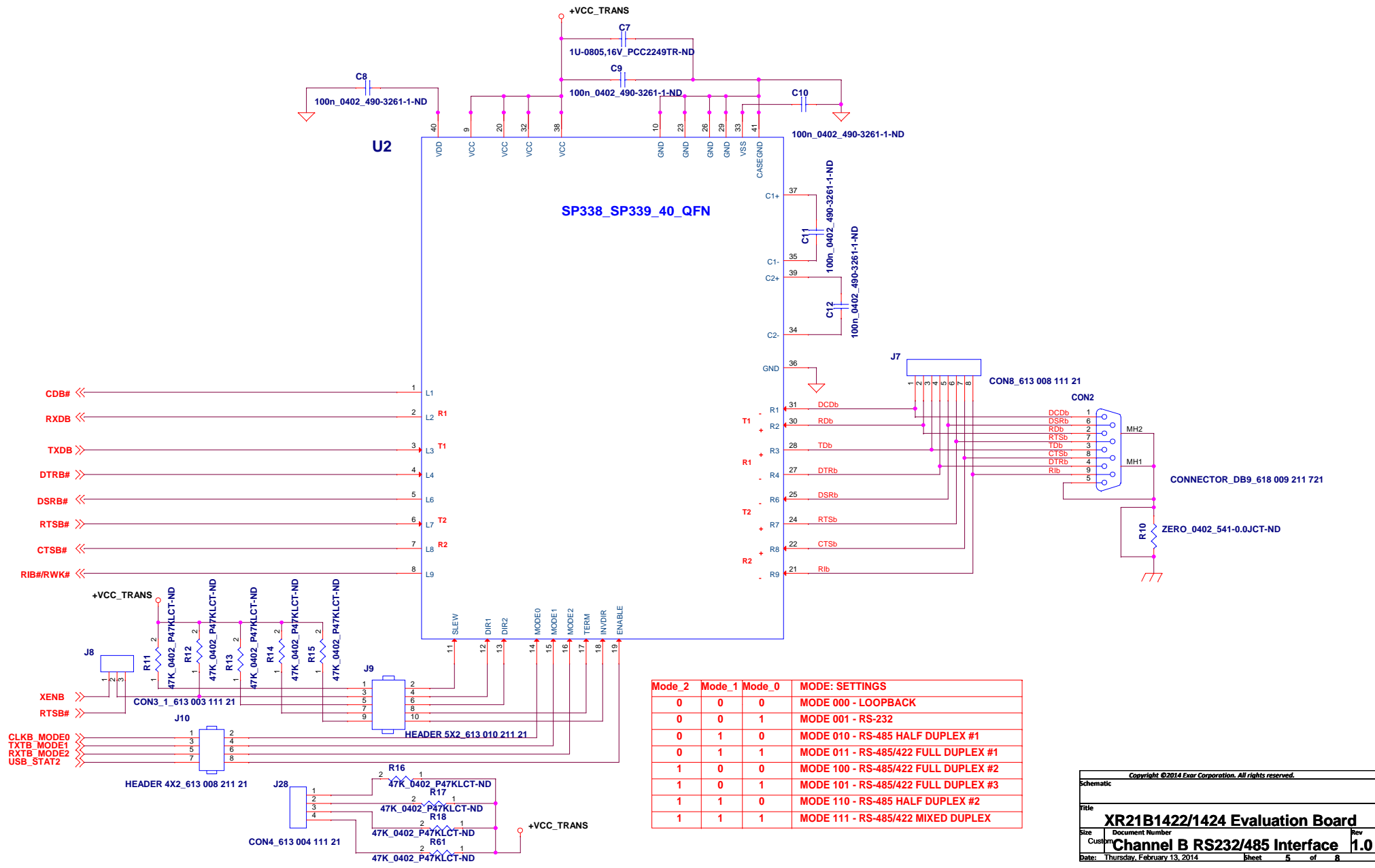
Copyright ©2014 Exar Corporation. All rights reserved.

Schematic

Title: **XR21B1422/1424 EvaluationBoard**

Size: **Channel A RS232/485 Interface** Document Number: **1.0** Rev

Date: Thursday, February 13, 2014 Sheet: **4** of **6**



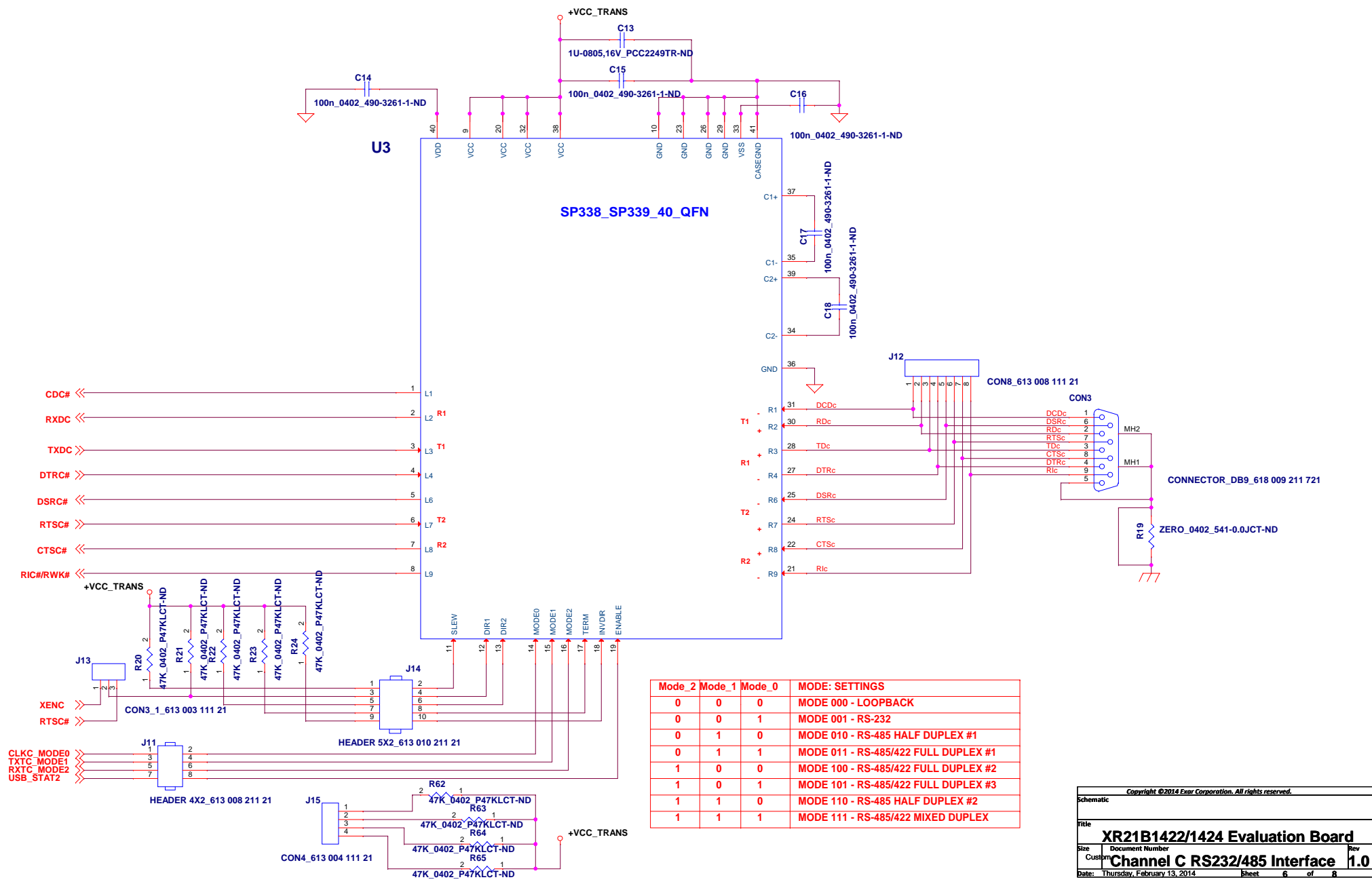
Copyright ©2014 Exar Corporation. All rights reserved.

Schematic

Title: **XR21B1422/1424 Evaluation Board**

Size: **Channel B RS232/485 Interface** Document Number: **1.0** Rev

Date: Thursday, February 13, 2014 Sheet 5 of 6



Mode_2	Mode_1	Mode_0	MODE: SETTINGS
0	0	0	MODE 000 - LOOPBACK
0	0	1	MODE 001 - RS-232
0	1	0	MODE 010 - RS-485 HALF DUPLEX #1
0	1	1	MODE 011 - RS-485/422 FULL DUPLEX #1
1	0	0	MODE 100 - RS-485/422 FULL DUPLEX #2
1	0	1	MODE 101 - RS-485/422 FULL DUPLEX #3
1	1	0	MODE 110 - RS-485 HALF DUPLEX #2
1	1	1	MODE 111 - RS-485/422 MIXED DUPLEX

Copyright ©2014 Exar Corporation. All rights reserved.

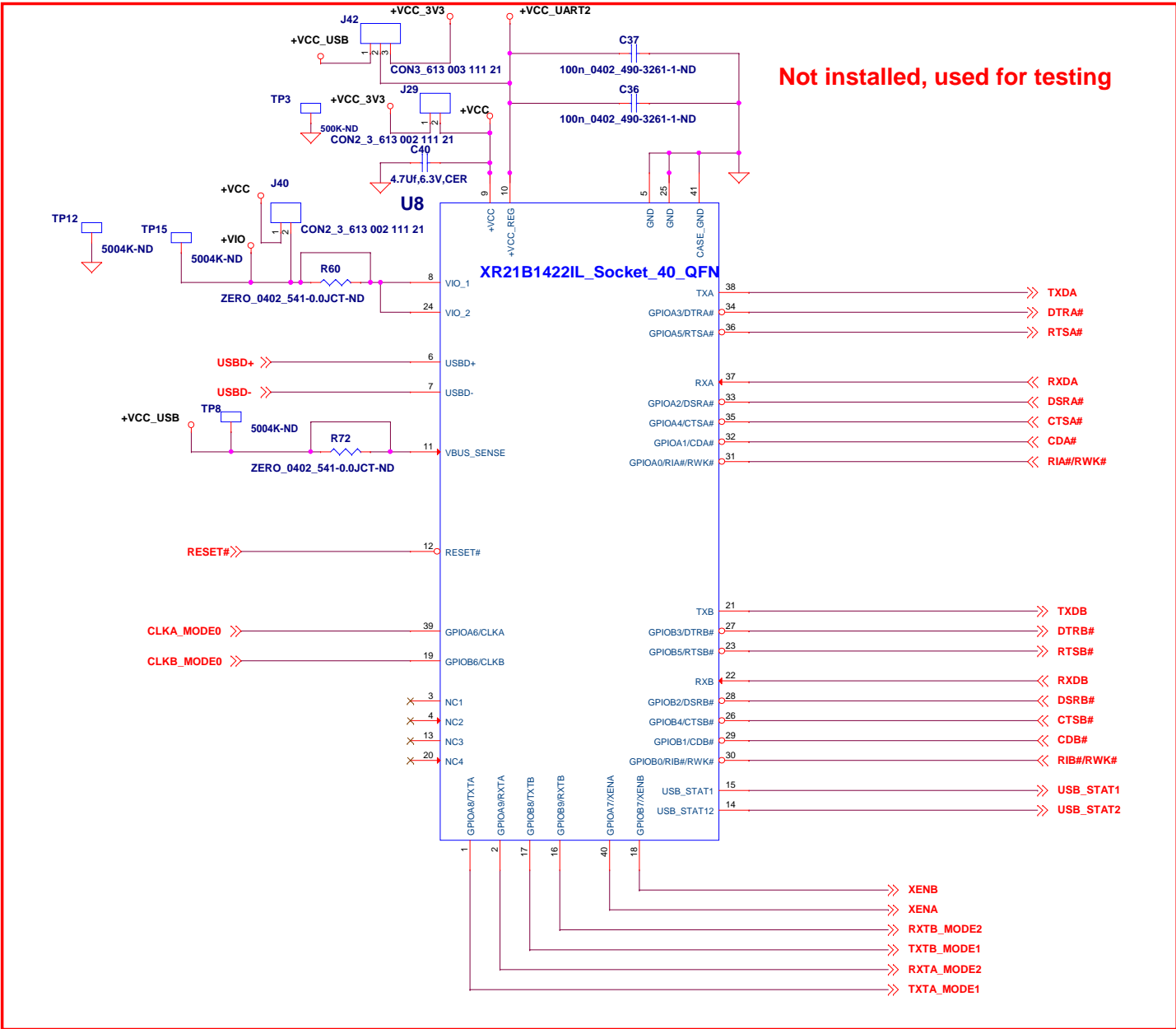
Schematic

Title: **XR21B1422/1424 Evaluation Board**

Size: Custom Document Number

Customer: **Channel C RS232/485 Interface 1.0**

Date: Thursday, February 13, 2014 Sheet 6 of 6



Not installed, used for testing

Copyright ©2014 Exar Corporation. All rights reserved.		
Schematic		
Title		
XR21B1422/1424 Evaluation Board		Rev
Size	Document Number	1.0
Custom	XR21B1422 Socket Interface	
Date:	Thursday, February 13, 2014	Sheet 8 of 8