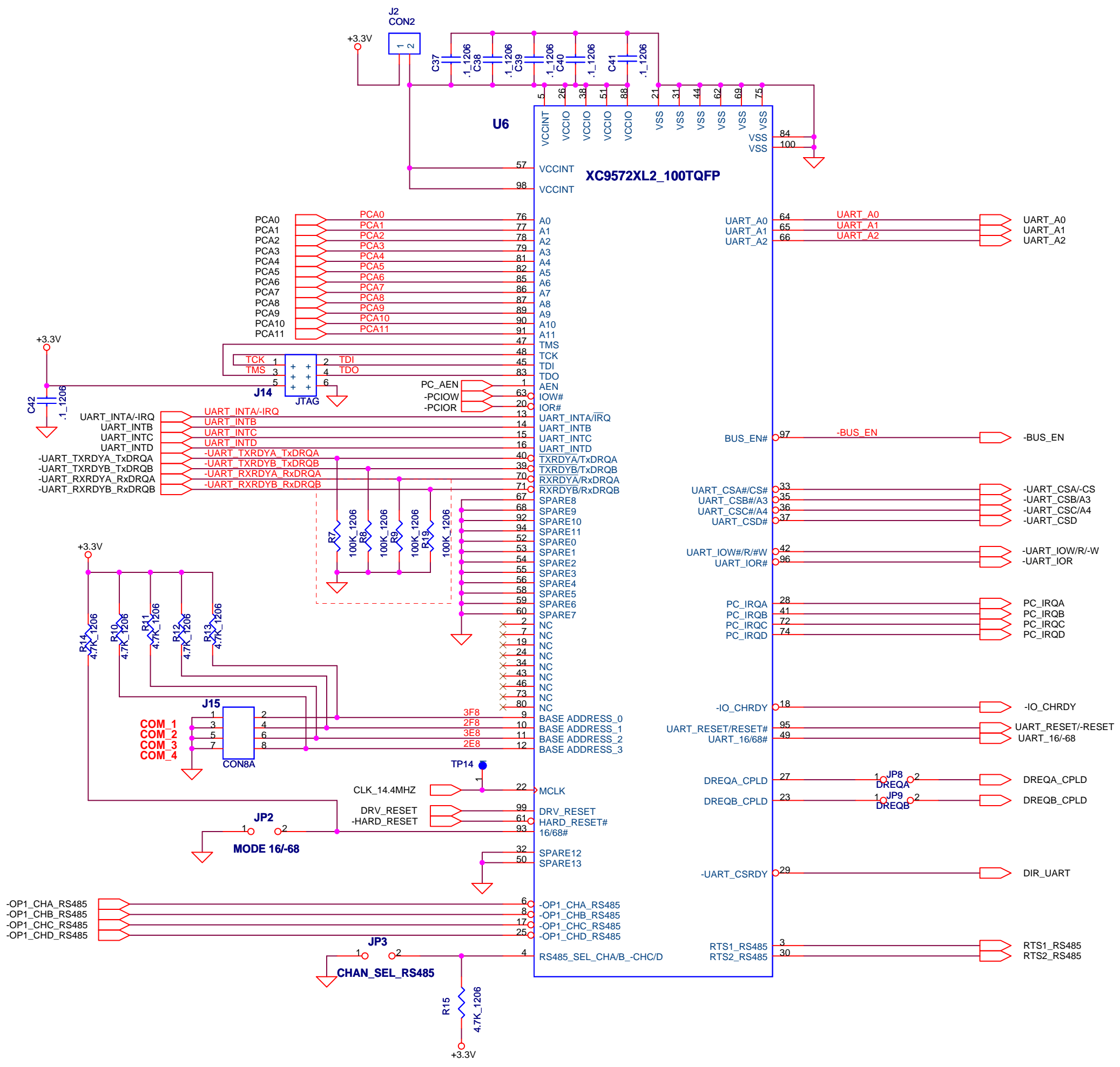


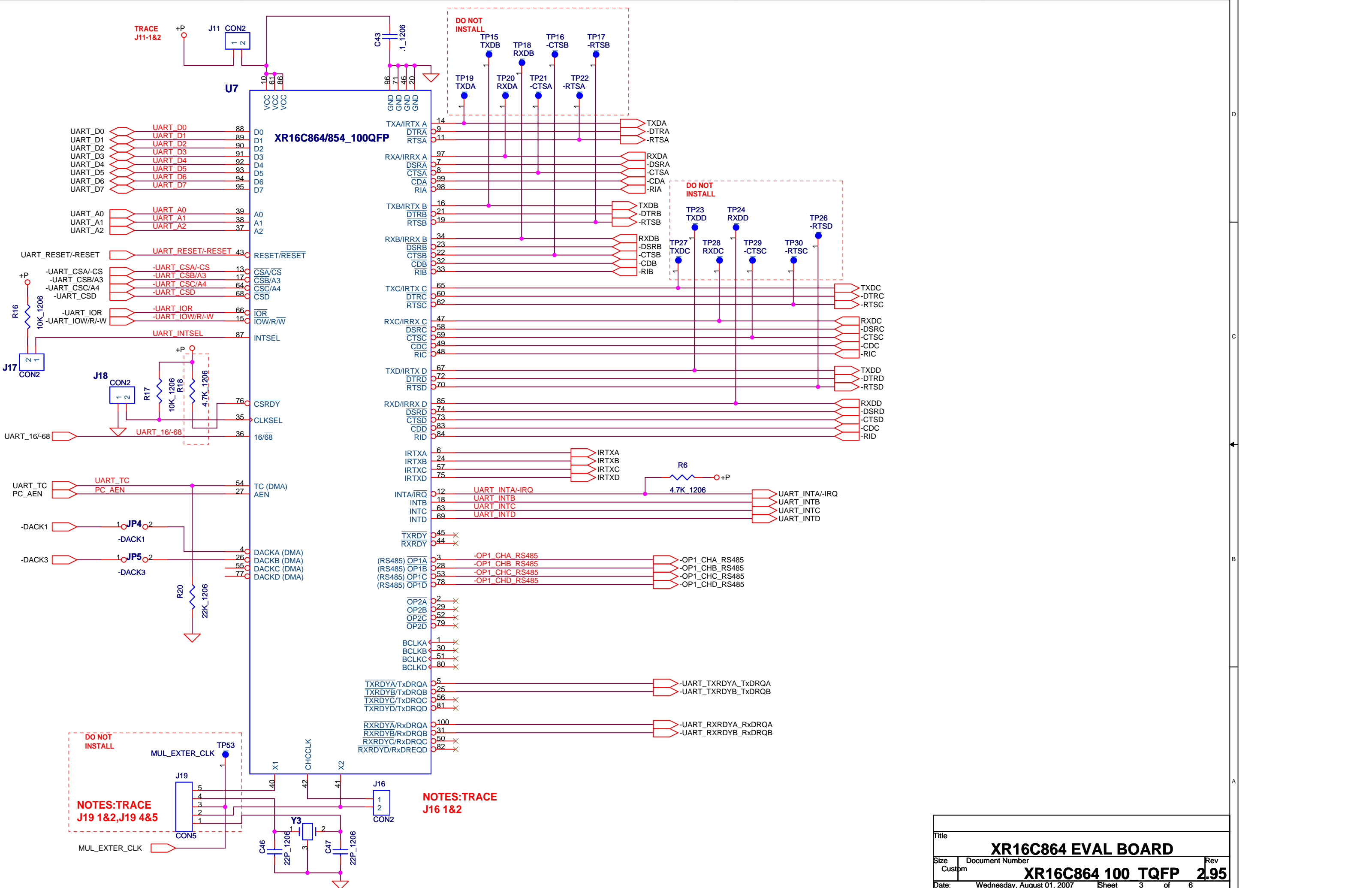
Note: Update sch only -PCIOR (U1) to DIR_UART Rev 2.9
 Note: Update sch only -UART_CSRDY (U6) to DIR_UART Rev 2.9
 Note: Update sch only -UART_CSRDY(U7) to open Rev 2.9
 Note: Update sch only _CDB (U8) to -CTSB Rev 2.9

Exar		
Title		
XR16C864 Eval Board		
Size	Document Number	Rev
Custom	ISA & POWER INTERFACE	2.95
Date:	Wednesday, August 01, 2007	Sheet 1 of 6



Note: Update sch only
 -UART_CSRDY to DIR_UART Rev 2.9

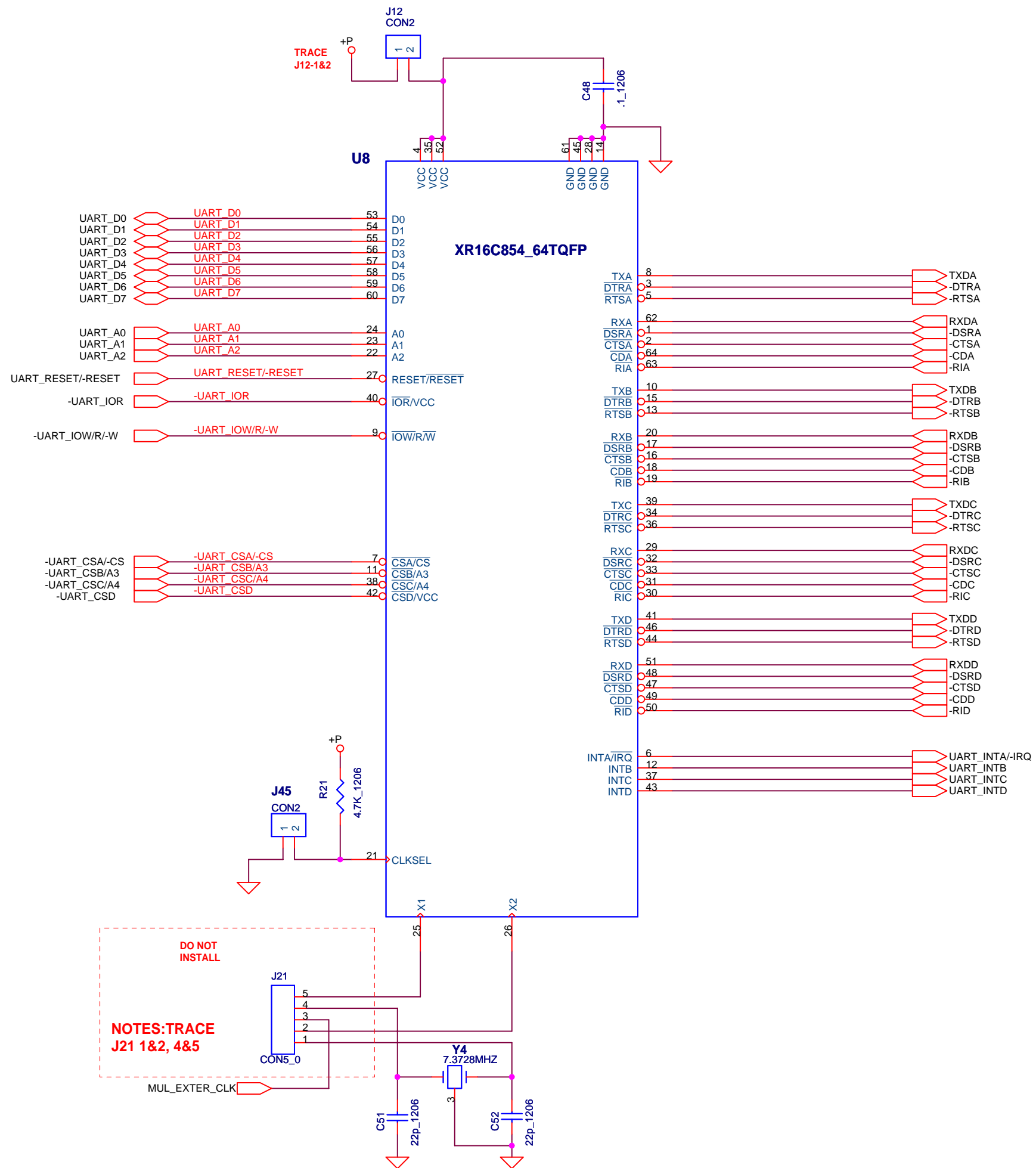
Title		
XR16C864 EVAL BOARD		
Size	Document Number	Rev
Custom	CPLD INTERFACE	2.95
Date:	Wednesday, August 01, 2007	Sheet 2 of 6



NOTES:TRACE
J19 1&2, J19 4&5

NOTES:TRACE
J16 1&2

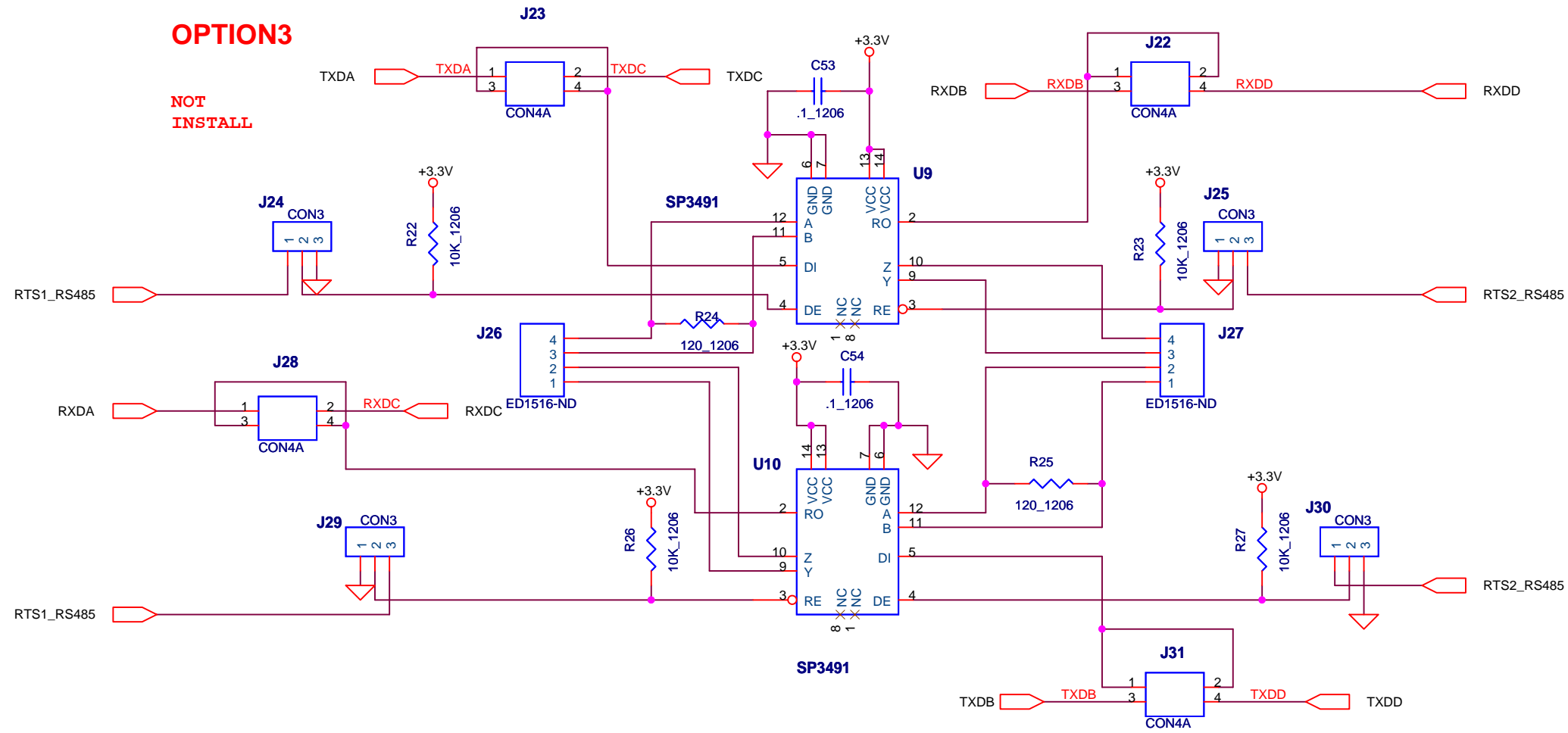
Title		
XR16C864 EVAL BOARD		
Size	Document Number	Rev
Custom	XR16C864 100 TQFP	2.95
Date:	Wednesday, August 01, 2007	Sheet 3 of 6



Title		
XR16C864 EVAL BOARD		
Size	Document Number	Rev
Custom	XR16C854 64TQFP	2.95
Date:	Wednesday, August 01, 2007	Sheet 4 of 6

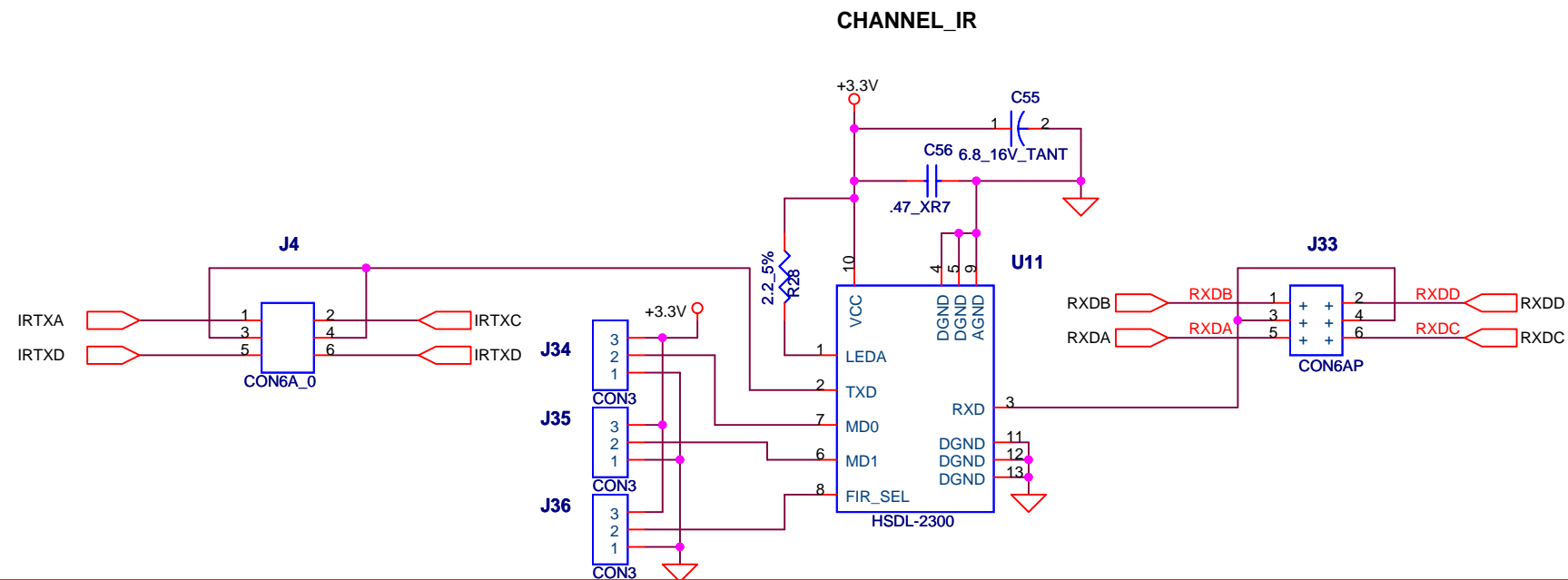
OPTION3

NOT
INSTALL

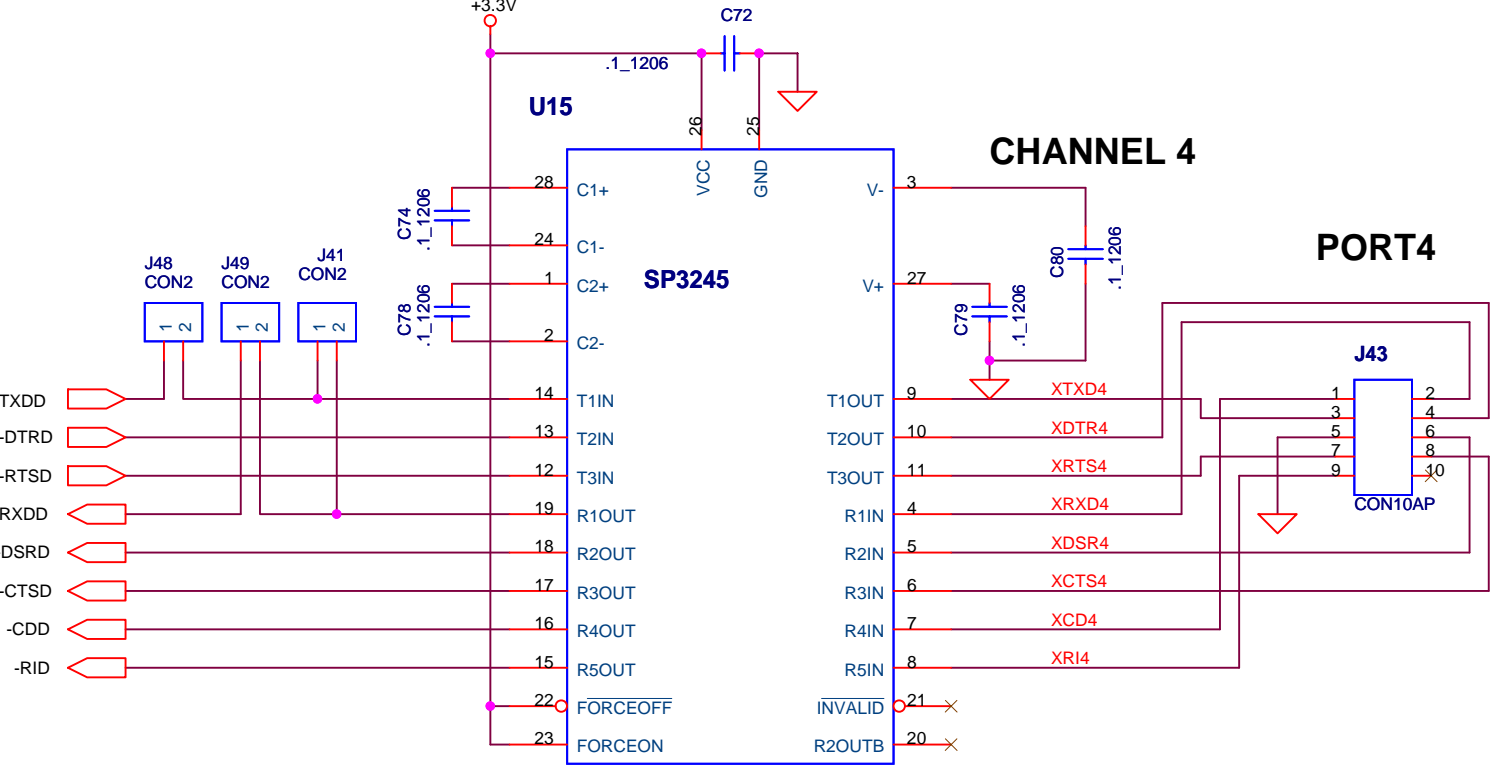
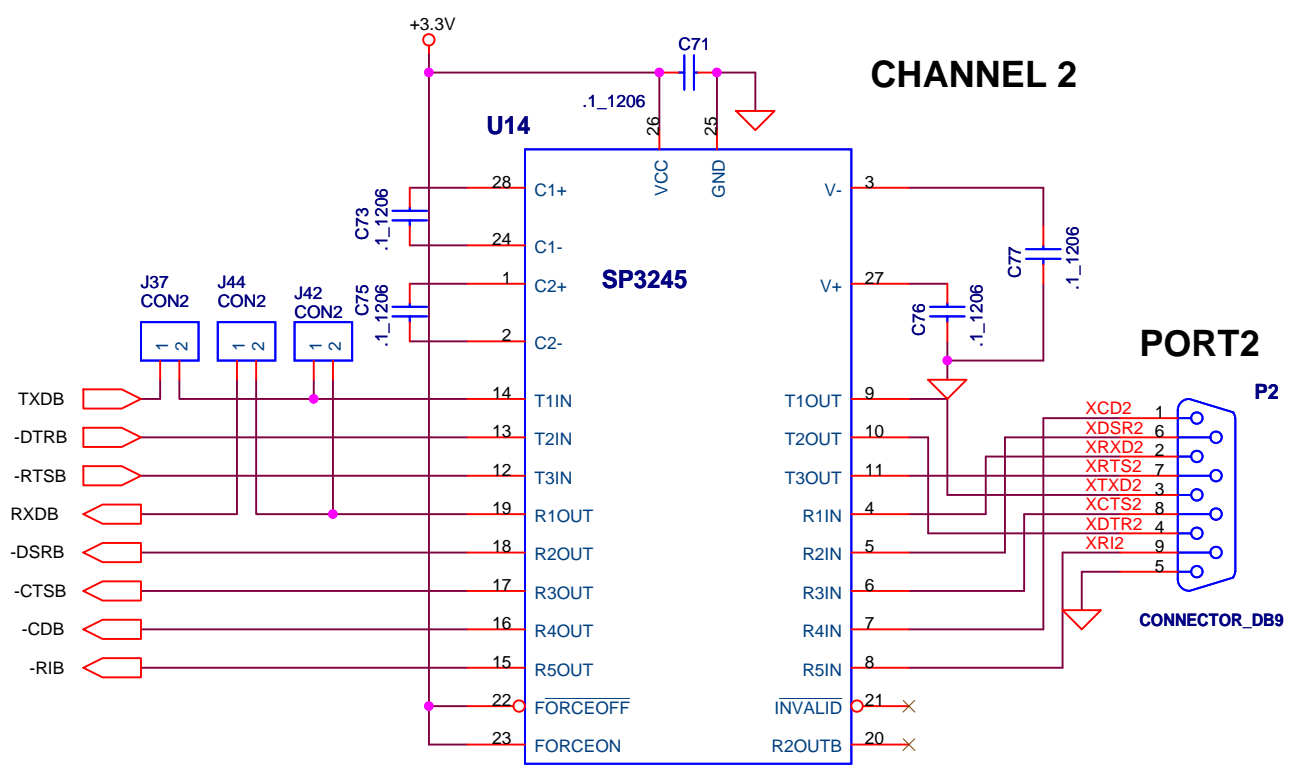
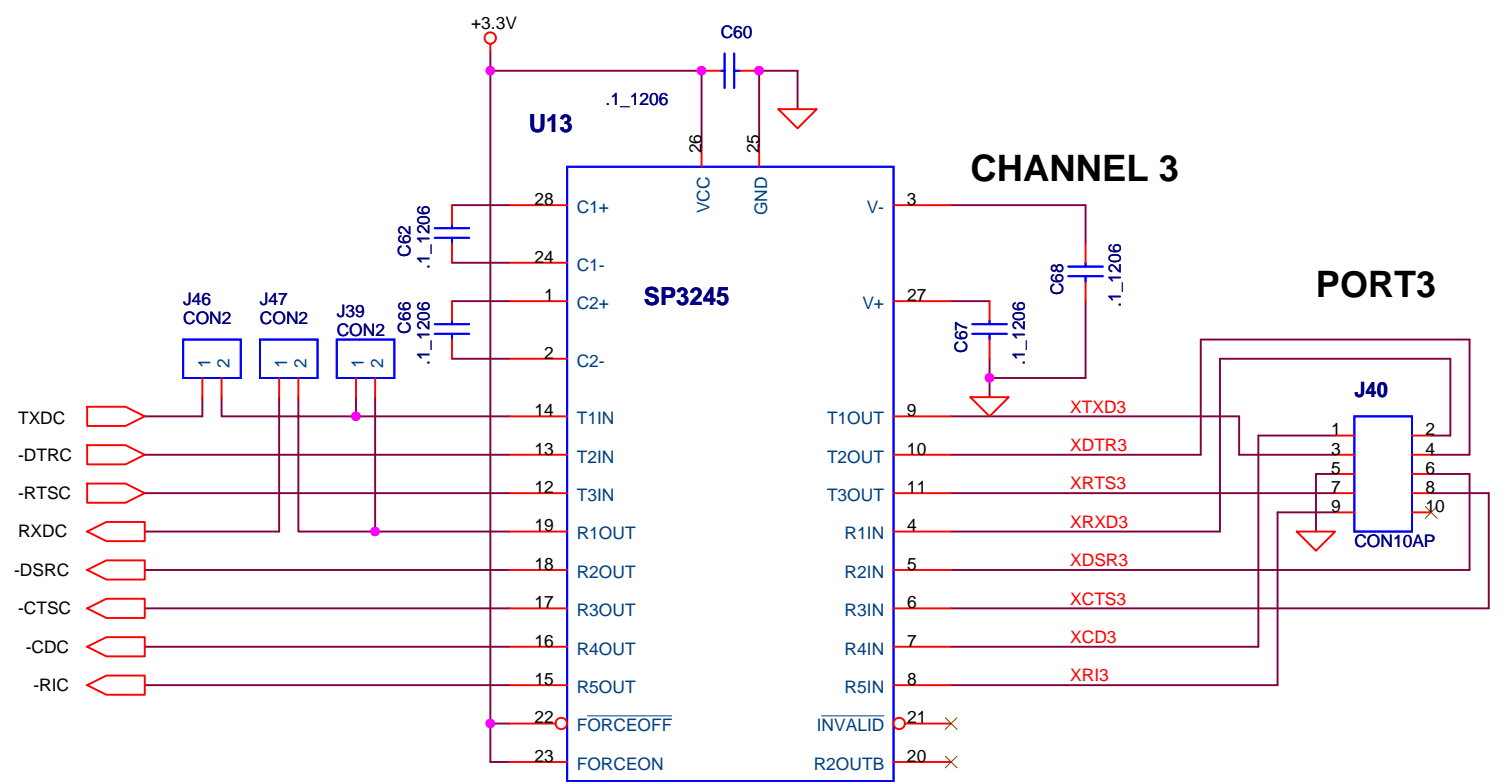
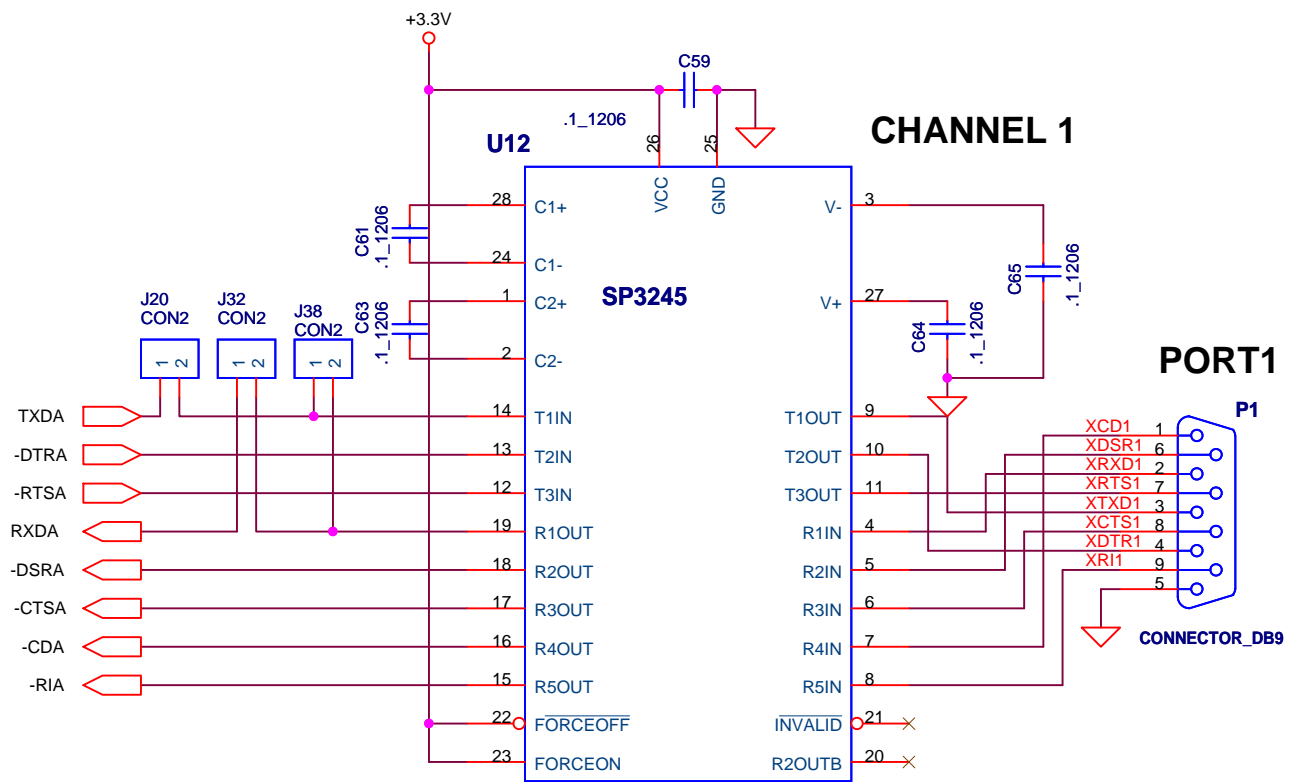


OPTION4

NOT
INSTALL



Title		
XR16C864 EVAL BOARD		
Size	Document Number	Rev
Custom	RS-422/485 & IrDA INTERFACE 2.95	
Date:	Monday, August 13, 2007	Sheet 5 of 6



Title		
XR16C864 EVAL BOARD		
Size	Document Number	Rev
Custom	RS-232 INTERFACE	2.95
Date:	Wednesday, August 01, 2007	Sheet 6 of 6