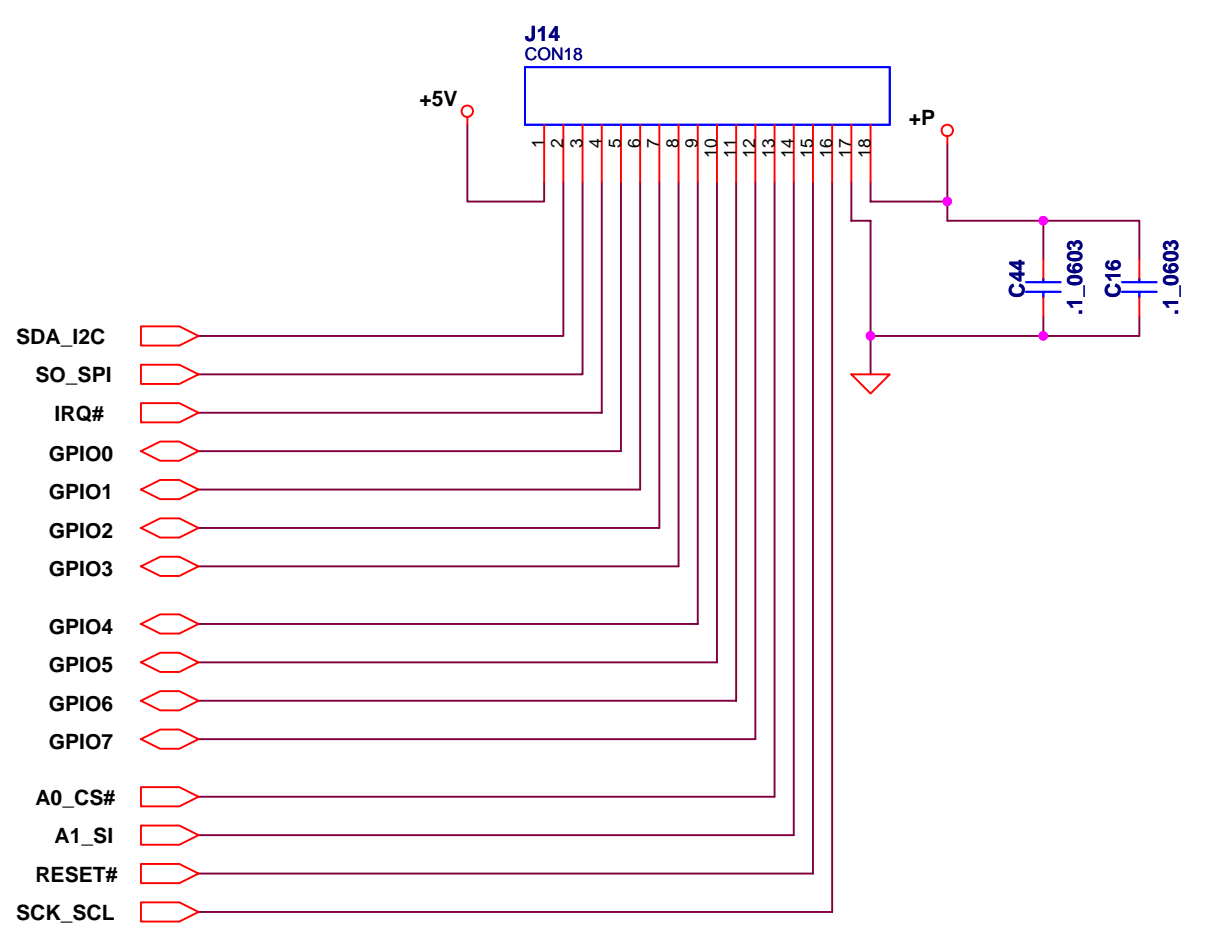


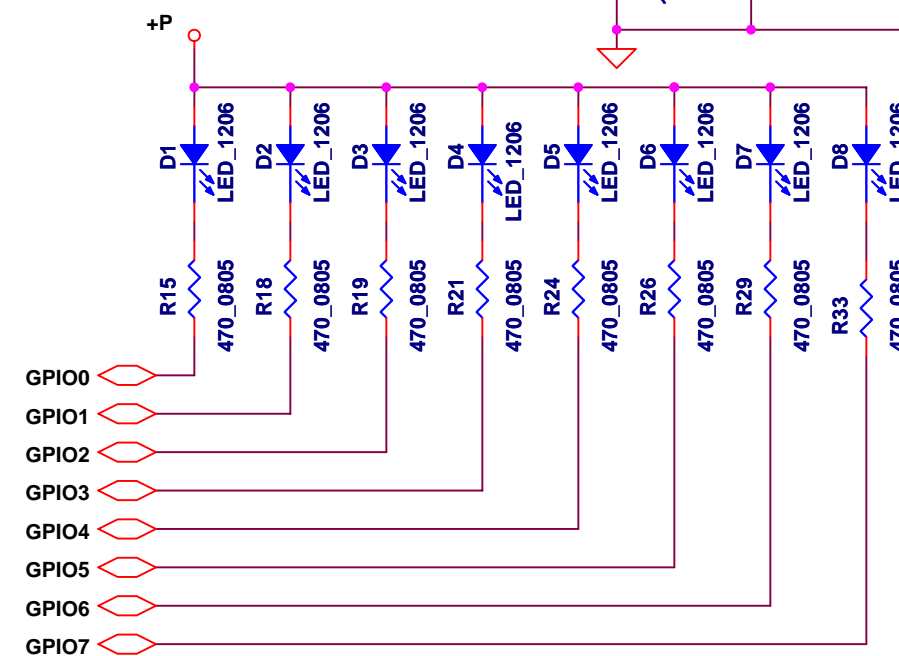
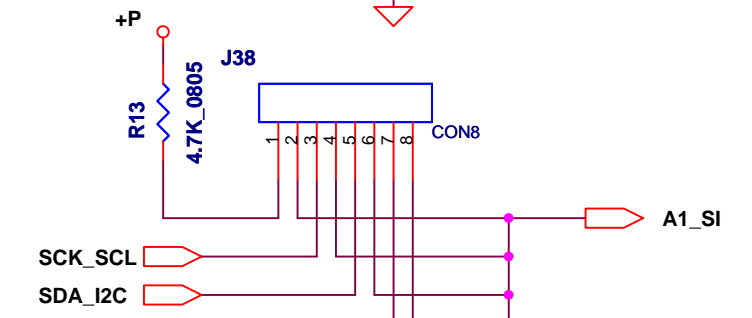
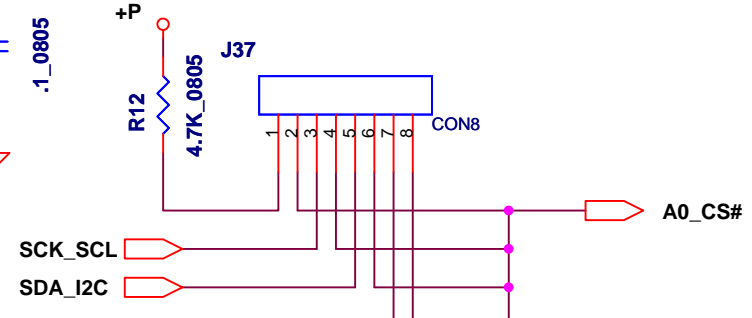
- SCK\_SCL
- SO\_SPI
- A1\_SI
- A0\_CS#
- SPARE\_0
- IRQ#
- SPARE\_1
- SDA\_I2C
- SPARE\_2
- SPARE\_3
- SYSClk

- GPIO0
- GPIO1
- GPIO2
- GPIO3
- GPIO4
- GPIO5
- GPIO6
- GPIO7
- SPARE\_4
- SPARE\_5
- SPARE\_6
- RESET#

NOTE: LABEL HEADER OR TEST POINTS

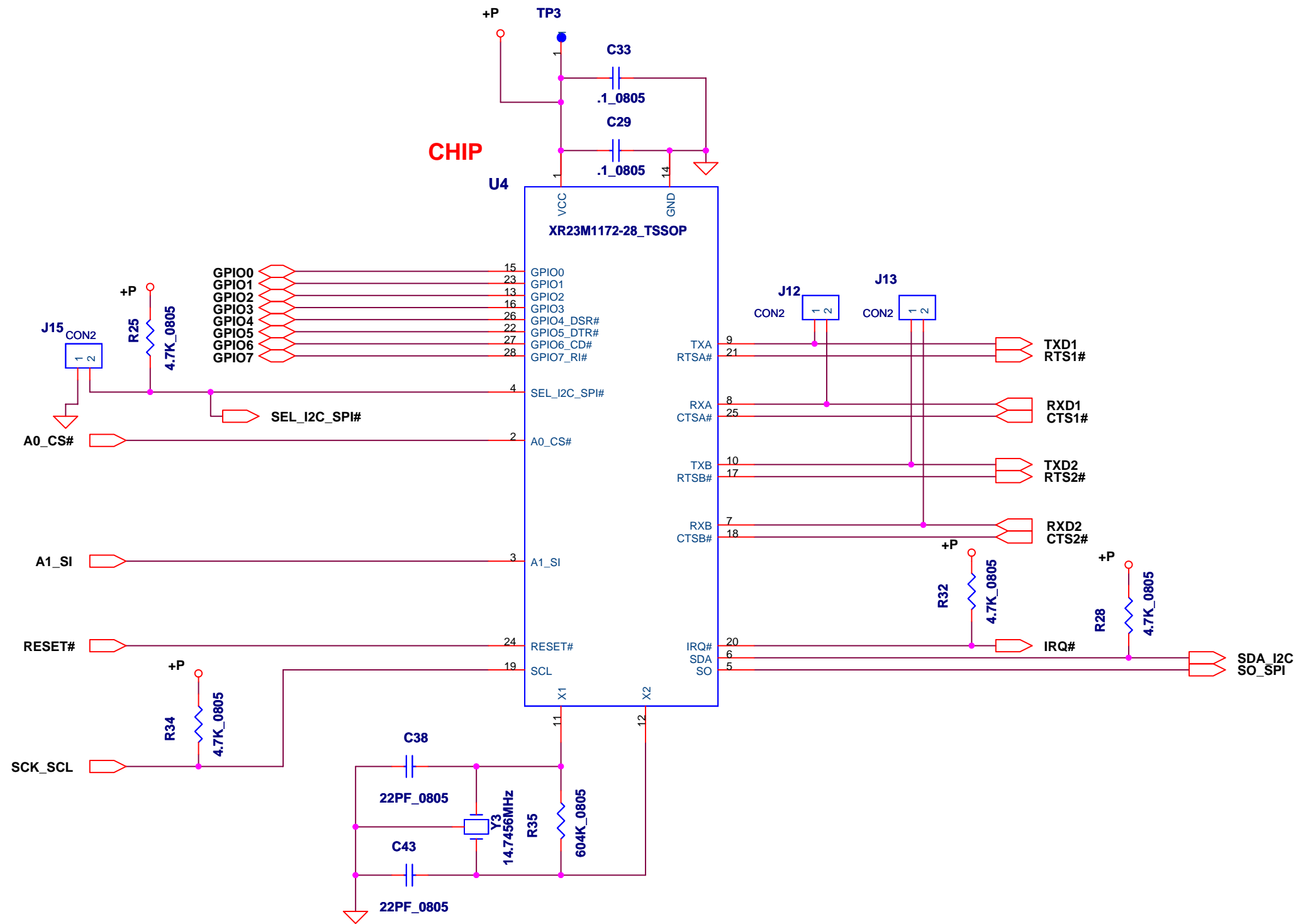


- SDA\_I2C
- SO\_SPI
- IRQ#
- GPIO0
- GPIO1
- GPIO2
- GPIO3
- GPIO4
- GPIO5
- GPIO6
- GPIO7
- A0\_CS#
- A1\_SI
- RESET#
- SCK\_SCL

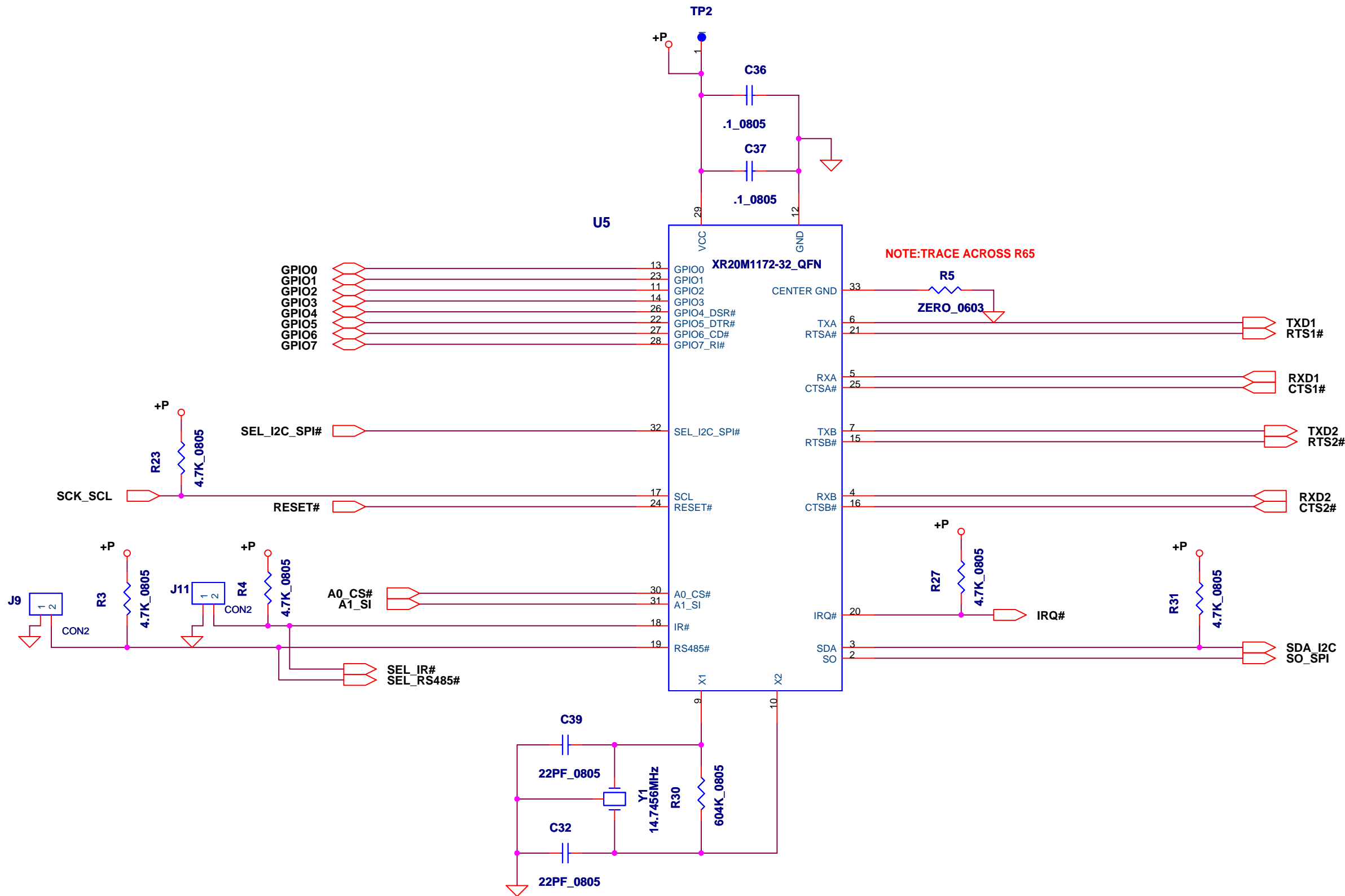


Title		
<b>POWER AND GPIO</b>		
Size	Document Number	Rev
Custom	<b>20M1172 TWO CHANNEL I2/SPI 1.2</b>	
Date:	Monday, July 16, 2007	Sheet 1 of 7

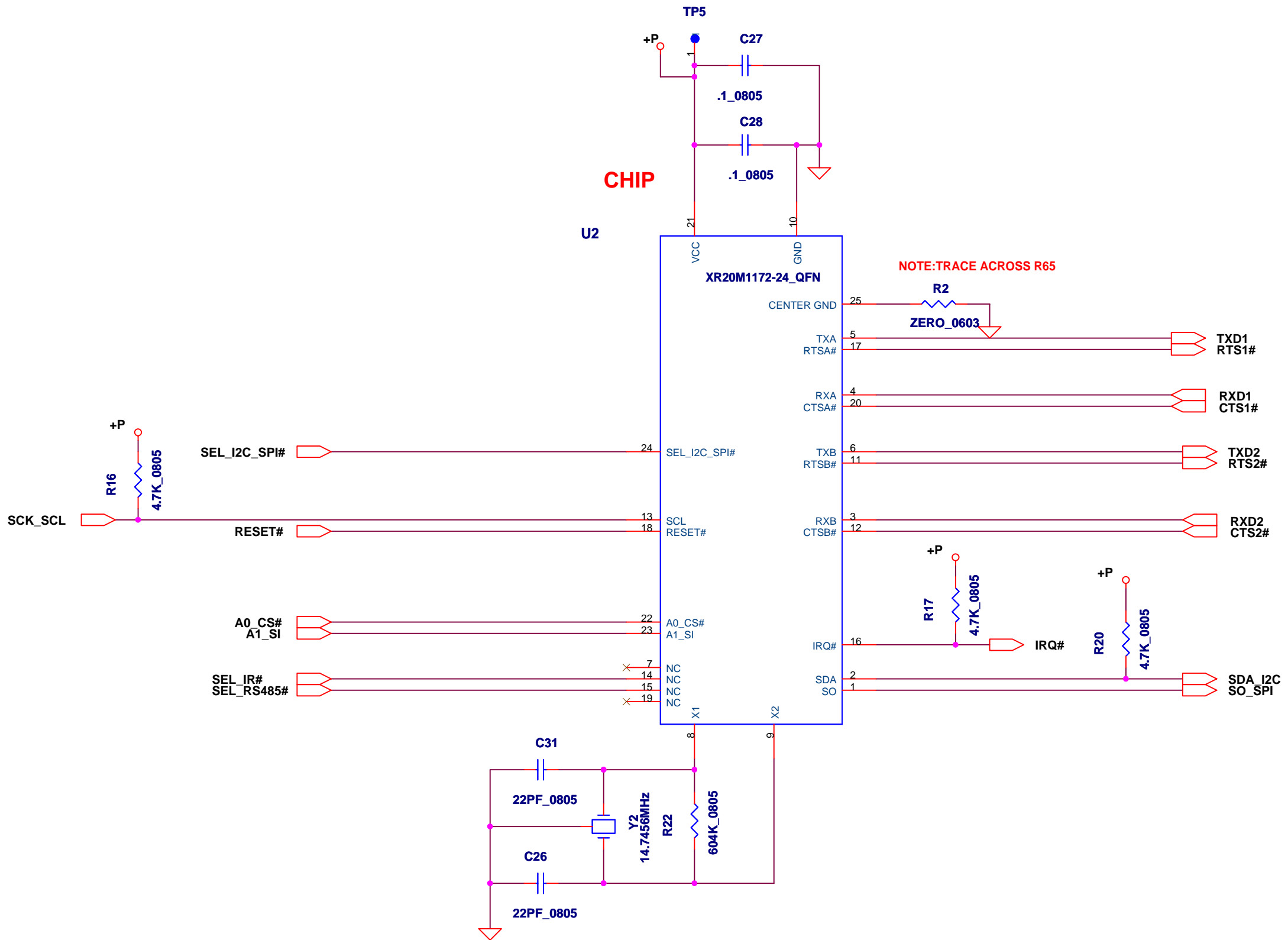
NOTE: MAKE PAD THEN TRACE FOR POWER



Title		
<b>XR20M1172 28 TSSOP INTERFACE</b>		
Size	Document Number	Rev
Custom	<b>20M1172 TWO CHANNEL I2/SPI</b>	<b>1.2</b>
Date:	Monday, July 16, 2007	Sheet 2 of 7

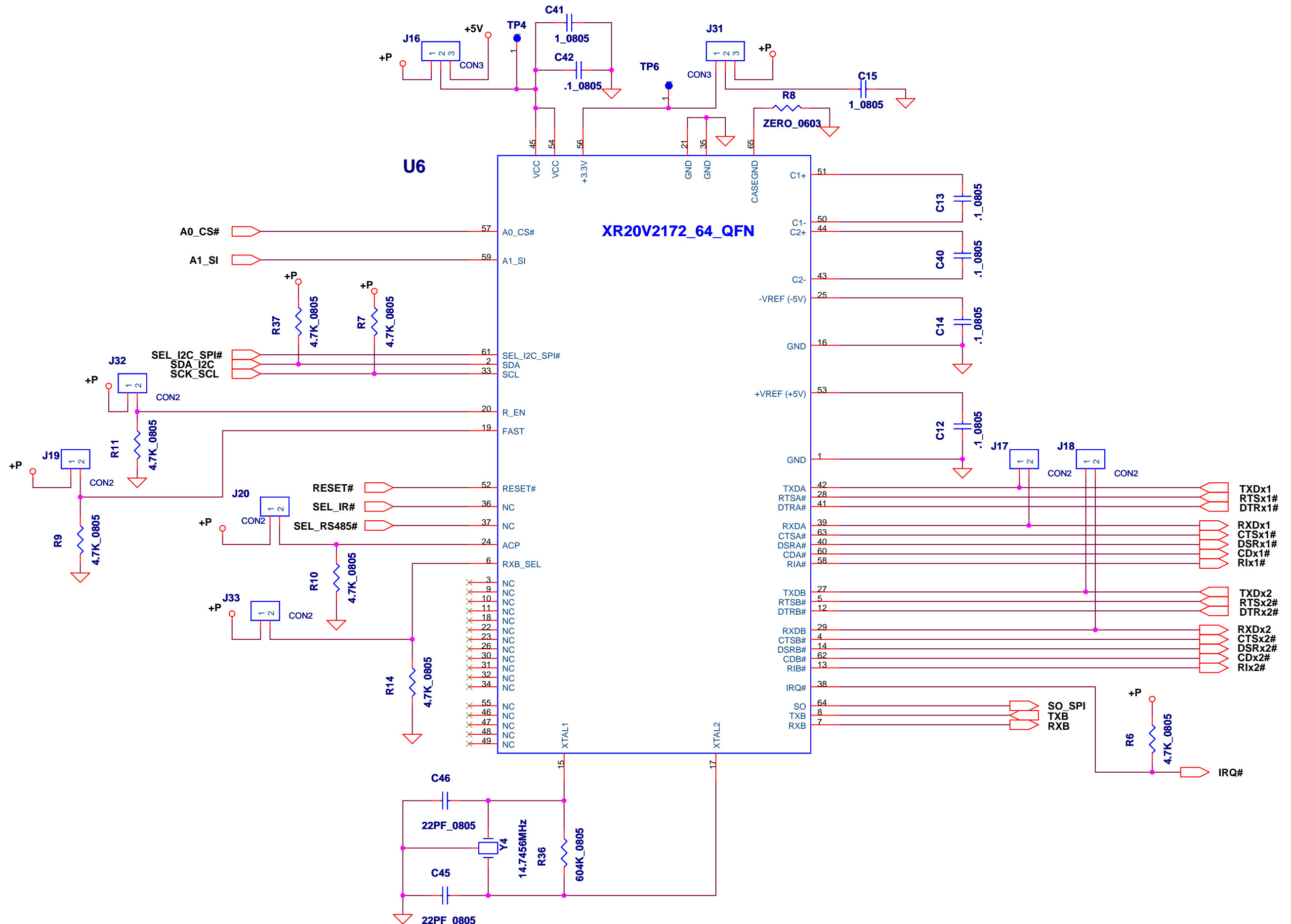


Title		
<b>20M1172 32 QFN INTERFACE</b>		
Size	Document Number	Rev
Custom	<b>20M1172 TWO CHANNEL I2/SPI 1.2</b>	
Date:	Monday, July 16, 2007	Sheet 4 of 7

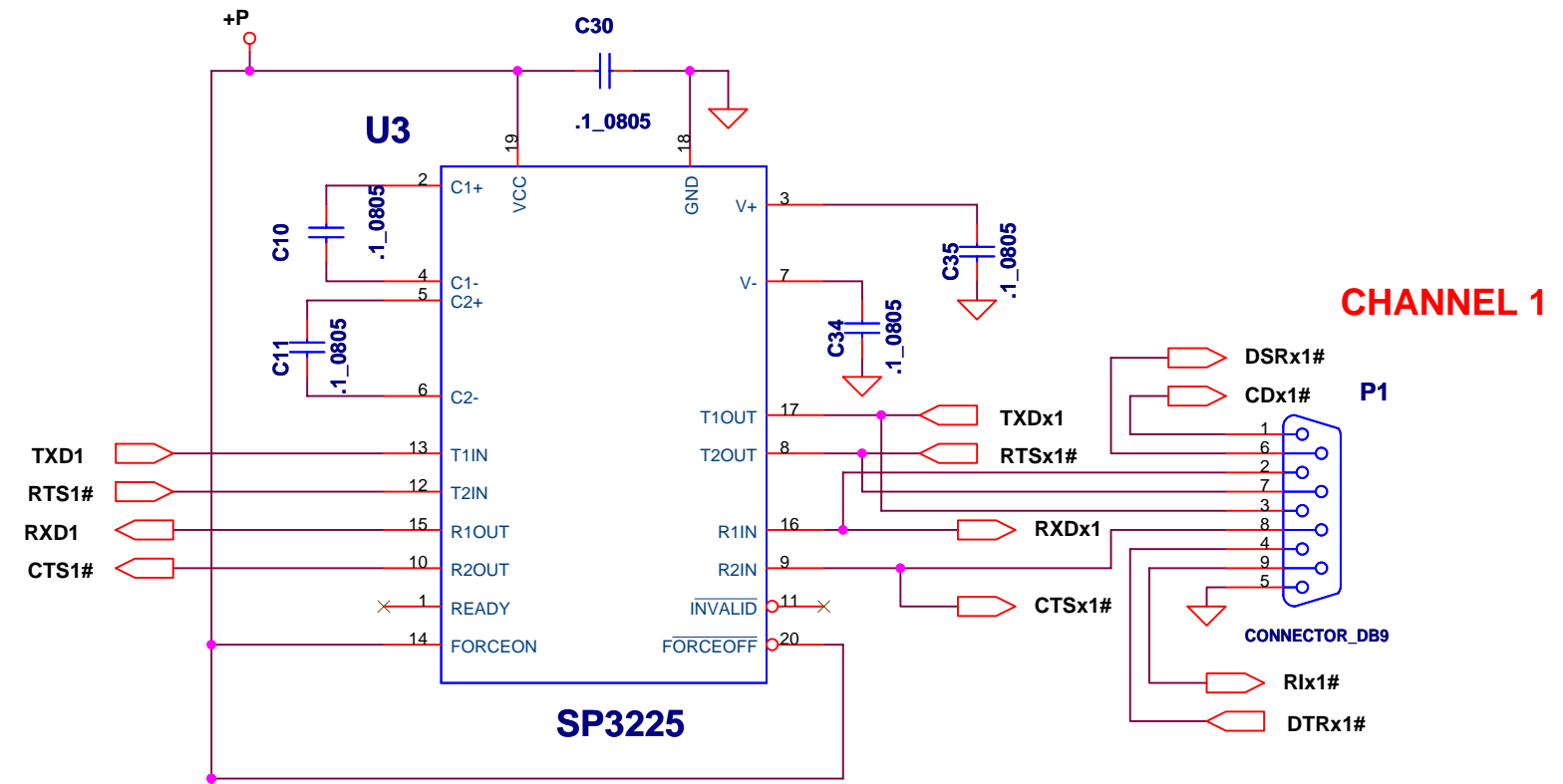


NOTE: TRACE ACROSS R65

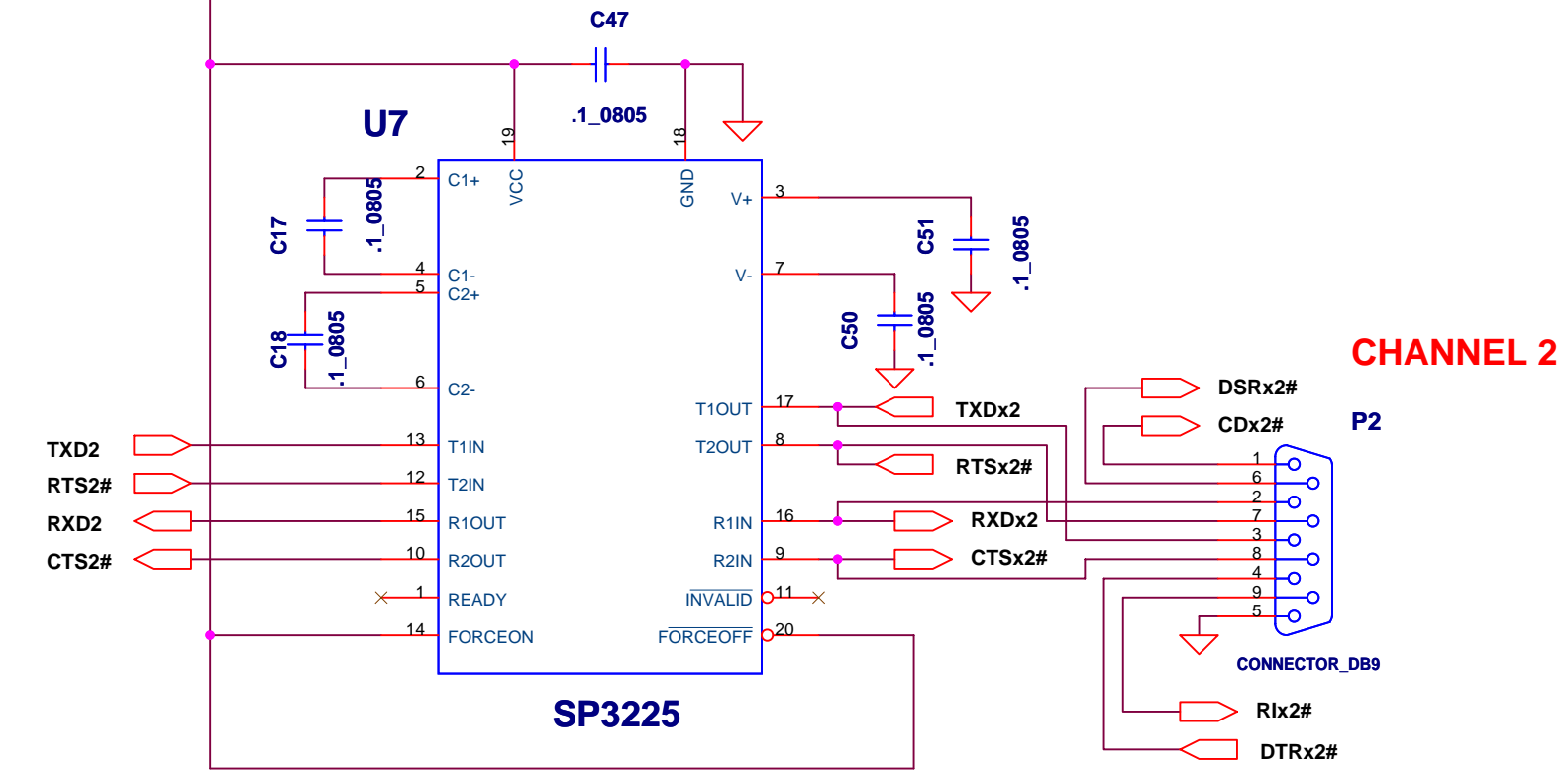
Title		
<b>20M1172 24 QFN INTERFACE</b>		
Size	Document Number	Rev
Custom	<b>20M1172 TWO CHANNEL I2/SPI</b>	<b>1.2</b>
Date:	Monday, July 16, 2007	Sheet 4 of 7



Title		
<b>20M1172 64 QFN INTERFACE</b>		
Size	Document Number	Rev
Custom	<b>20M1172 TWO CHANNEL I2/SPI 1.2</b>	
Date:	Monday, July 16, 2007	Sheet 5 of 7

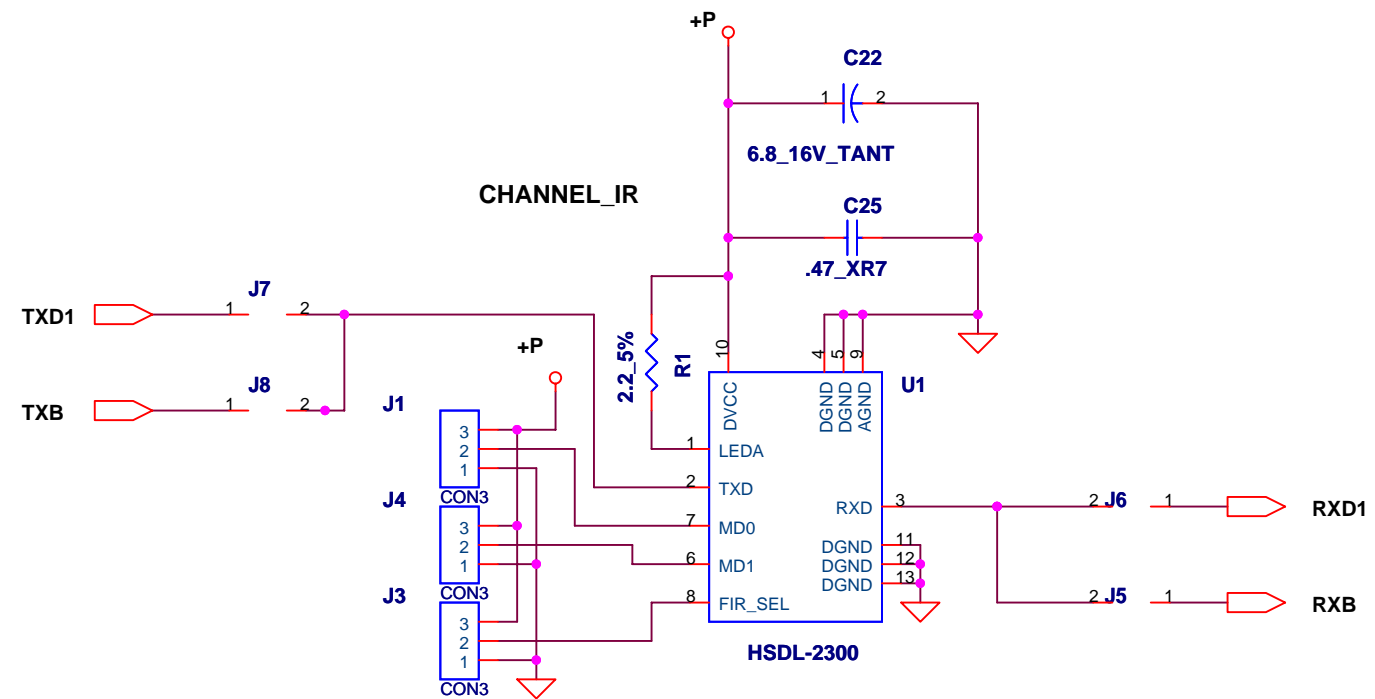
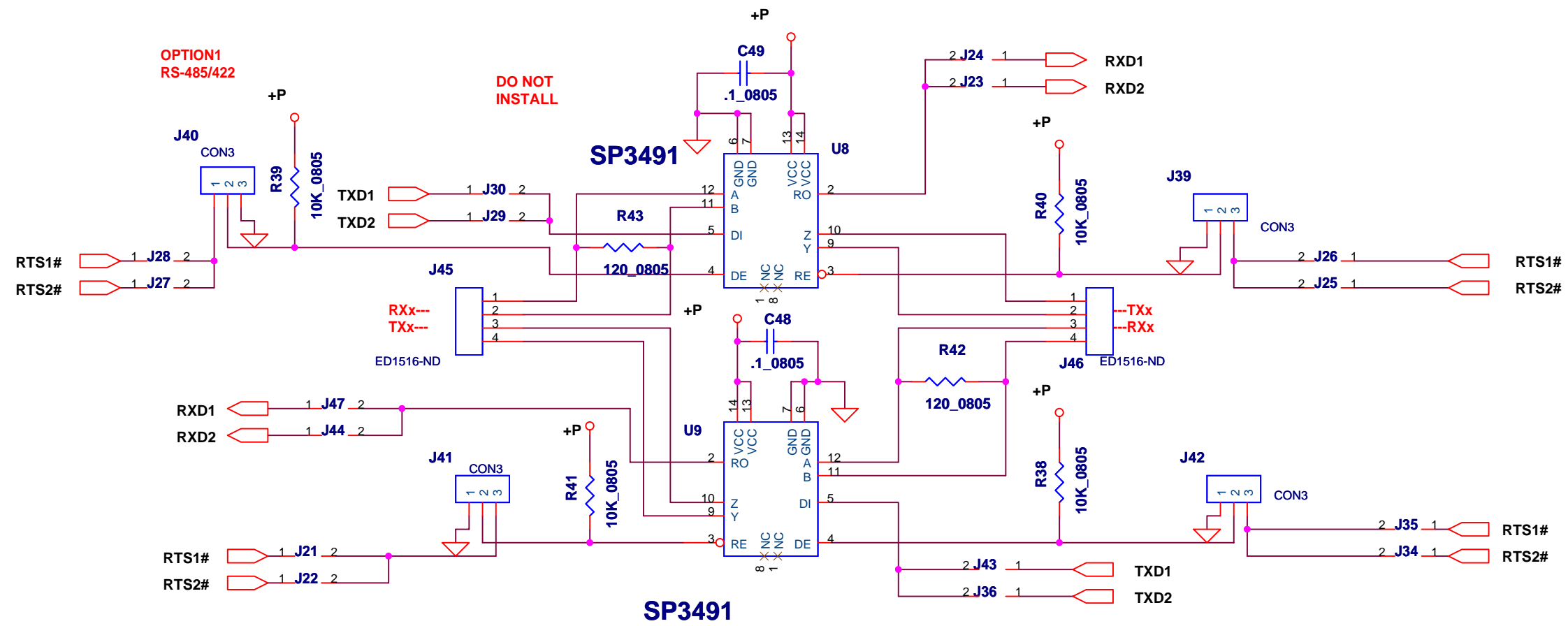


**CHANNEL 1**



**CHANNEL 2**

Title		
<b>RS232 INTERFACE</b>		
Size	Document Number	Rev
Custom	<b>20M1172 TWO CHANNEL I2/SPI</b>	<b>1.2</b>
Date:	Monday, August 13, 2007	Sheet 6 of 7



Title		
<b>IR AND RS485/422 INTERFACE</b>		
Size	Document Number	Rev
Custom	<b>20M1172 TWO CHANNEL I2/SPI</b>	<b>1.2</b>
Date:	Monday, August 13, 2007	Sheet 7 of 7