

3A, 29V Non-Synchronous Buck Converter PowerBlox™ SP7656

Ideal For Use In Systems Deriving Power Off Loosely Regulated Secondaries

The SP7656 is a PWM controlled step down (buck) voltage mode regulator co-packaged with a P-Channel FET. It operates from 4.5V to 29V making it suitable for 5V, 12V and 24V applications. The programmable overcurrent protection is based on internal FET's ON resistance sensing and allows setting the overcurrent protection value up to 300mV threshold (measured between VIN-LX). The SP7656 is packaged in a thermally enhanced 8-pin SO8 package making it one of the smallest converters available capable of operating from 5, 9, 12, 18 and 24VDC supplies.



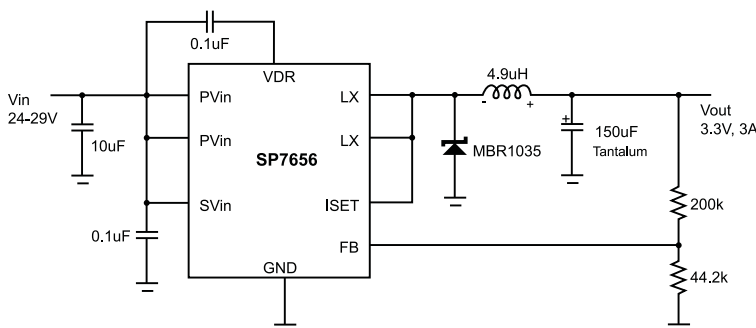
Features

- Wide Input Voltage Range 4.5V – 29V
- 3 Amps Continuous 4 Amps Peak Output Current
- Internal Compensation
- Input Feedforward Control improves Transient and Regulation
- 600kHz Constant Frequency Operation
- Low 0.6V Reference Voltage
- High output setpoint accuracy of 1%
- Internal Soft Start
- Small SO8-EP Thermally Enhanced Package
- Adjustable Overcurrent Protection
- Lead Free, RoHS Compliant Package

Ordering Information

Product No.	Package	Operating Temp. Range
SP7656EN2-L	Lead Free 8-pin HSOICN	-40°C to +125°C
SP7656EN2-L/TR	Lead Free 8-Pin nSOIC	-40°C to +125°C

Typical Application Circuit



Applications

- Cellular Phones
- Wireless Networking
- Digital Cameras
- Portable Media Players
- Bluetooth Devices
- Portable Instruments

