

XRP6668



Efficiency Across The Board

The XRP6668 is a dual channel synchronous current mode PWM step down (buck) converter capable of delivering up to 1 Amp of current per channel and optimized for portable battery-operated operations.

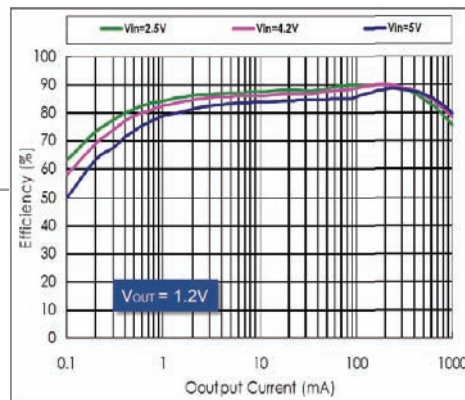
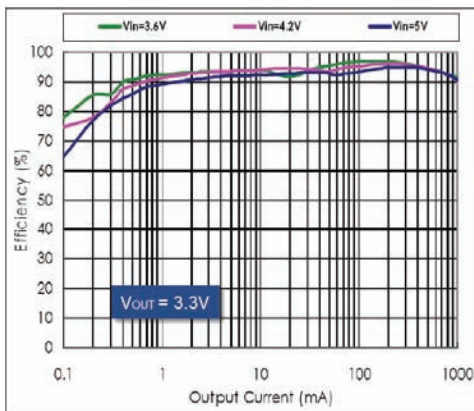
Based on a current mode 1.5MHz constant frequency PWM control scheme, the XRP6668 reduces the overall component count and solution footprint as well as providing a low output voltage ripple and excellent line and load regulation. It also implements a PFM mode to improve light load efficiency as well as a 100% duty cycle LDO mode. Output voltage is adjustable as low as 0.6V with a better than 3% accuracy while a low quiescent current supports the most stringent battery operations conditions.

Built-in over temperature and under voltage lock-out protections insure safe operations under abnormal operating conditions.

The XRP6668 is offered in a RoHS compliant, "green"/halogen free 8-pin exposed pad SOIC package.

FEATURES

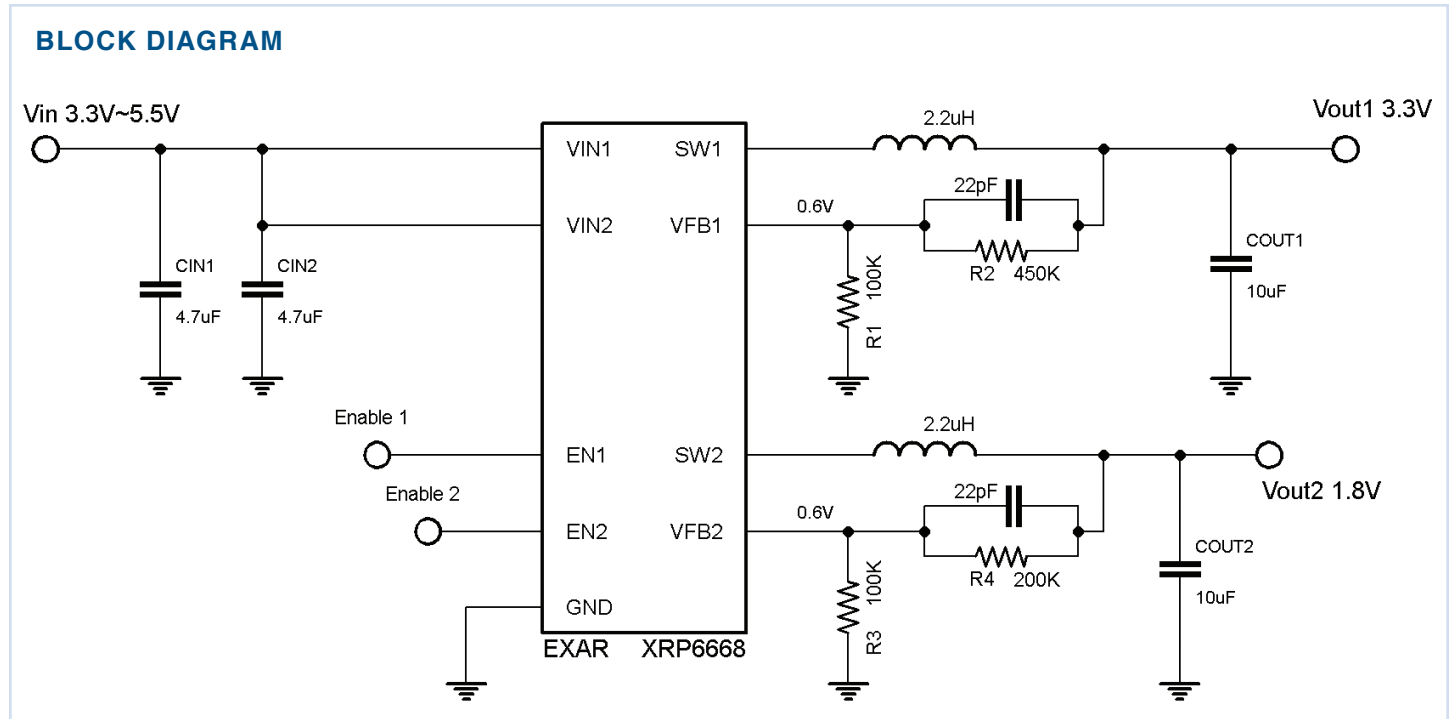
- Dual Channel Step Down Converter
- Guaranteed 1A/1A Output Current
- Input Voltage: 2.5V to 5.5V
- 1.5MHz PWM Current Mode Control
- PFM Mode Operations at Light Load
- 100% Duty Cycle LDO Mode Operations
- As Low as 0.6V Adjustable Output Voltage
- Internal Compensation Network & Schottky Diode
- 30 μ A Quiescent Current
- Over Temperature & UVLO Protections
- Halogen Free 8-Pin Exposed Pad SOIC Package



XRP6668



Efficiency Across The Board



TYPICAL APPLICATIONS

- Portable Equipments
- Battery Operated Equipments
- Audio-Video Equipments
- Networking & Telecom Equipments

ORDERING INFORMATION

Part Number	Package	Operating Temperature Range	Comments
XRP6668IDBTR-F	SOIC-8 (E-Pad)	-40°C ≤ T _A ≤ +85°C	Tape & Reel 3K/Reel
XRP6668EVB	XRP6668 Evaluation Board		