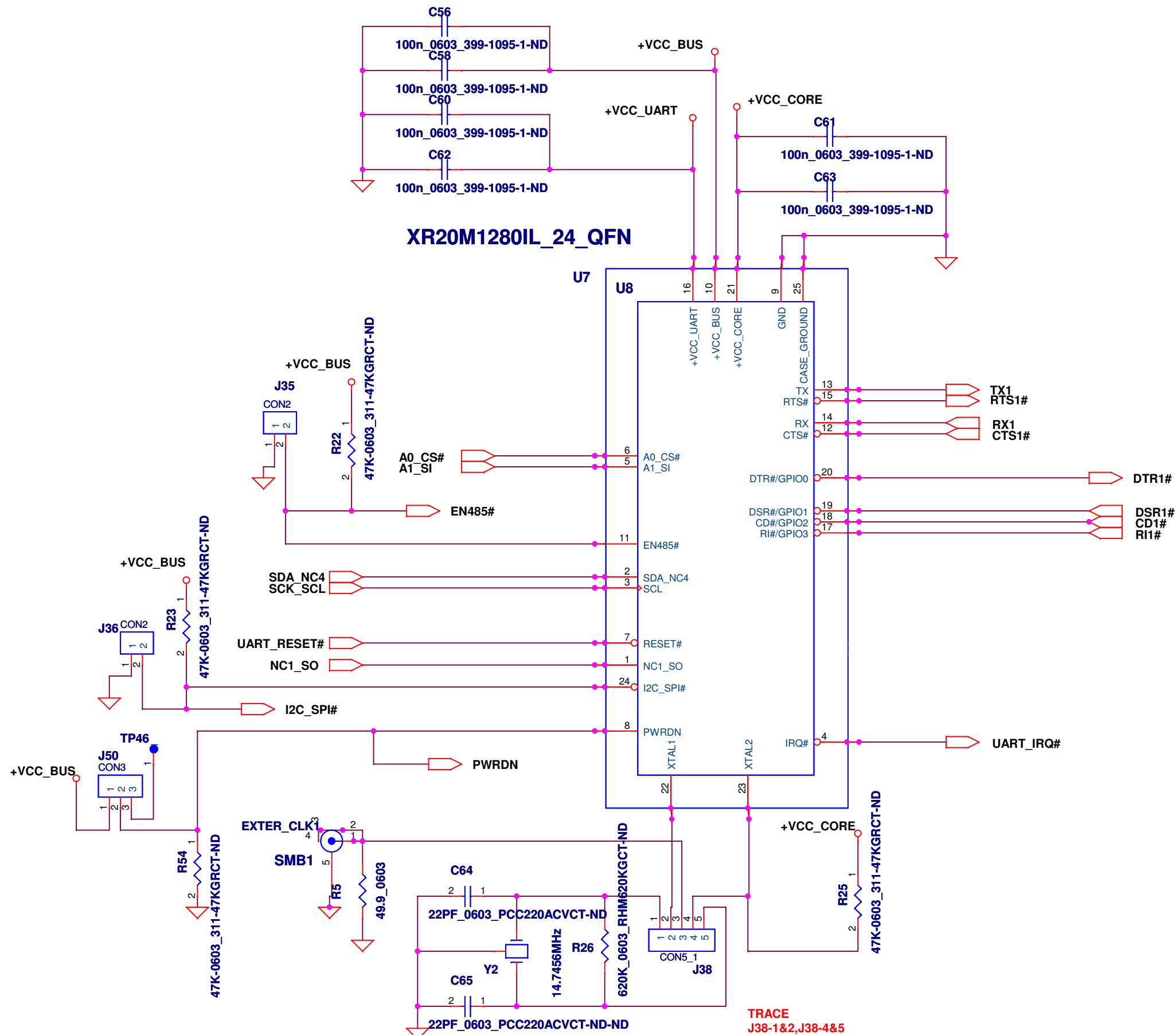
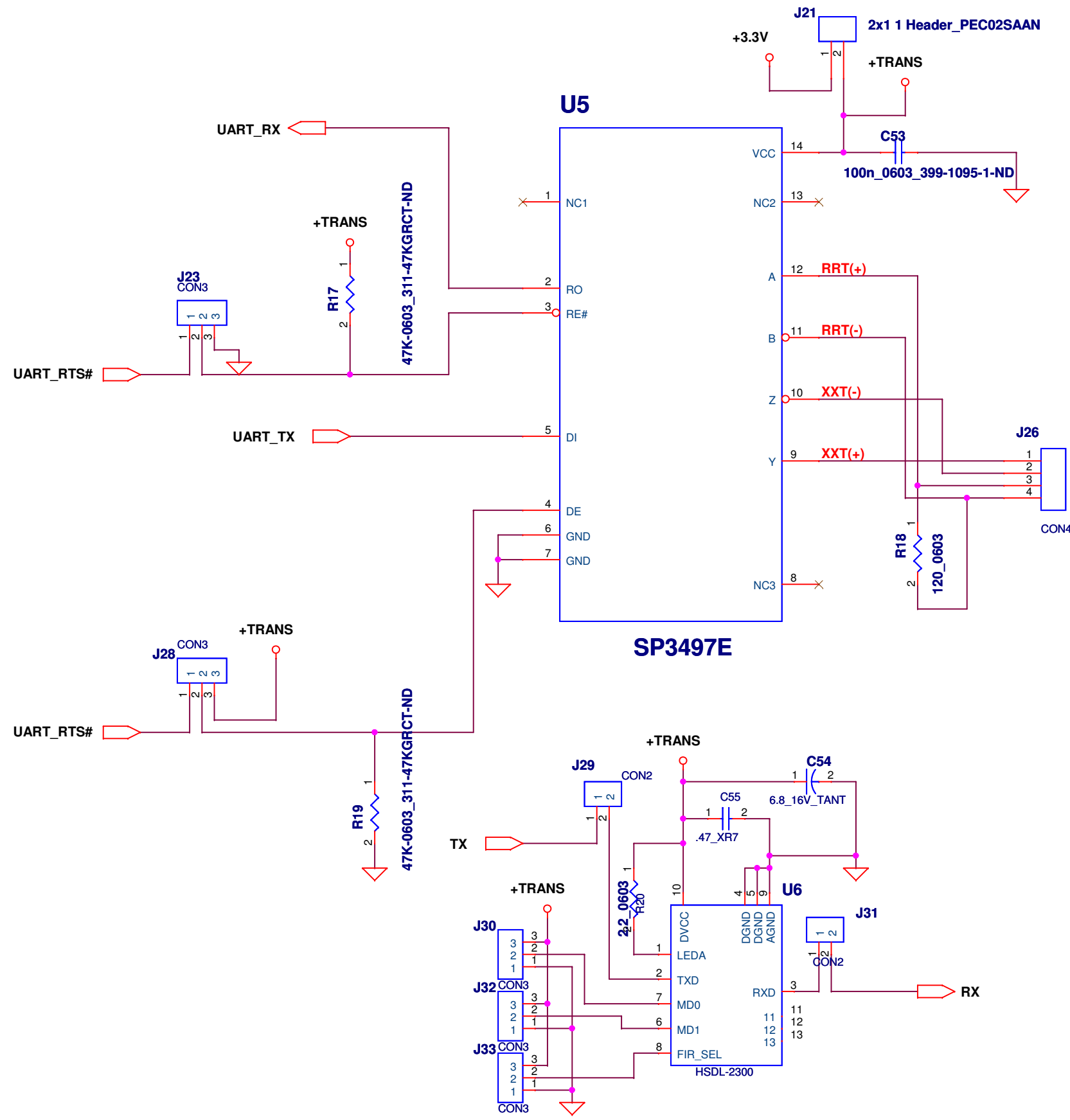


Title		
<b>XR20M1280 EVALUATION BOARD</b>		
Size	Document Number	Rev
Cust	<b>XR20M1280 32 QFN INTERFACE</b>	<b>1.0</b>
Date:	Tuesday, February 28, 2012	Sheet 5 of 8

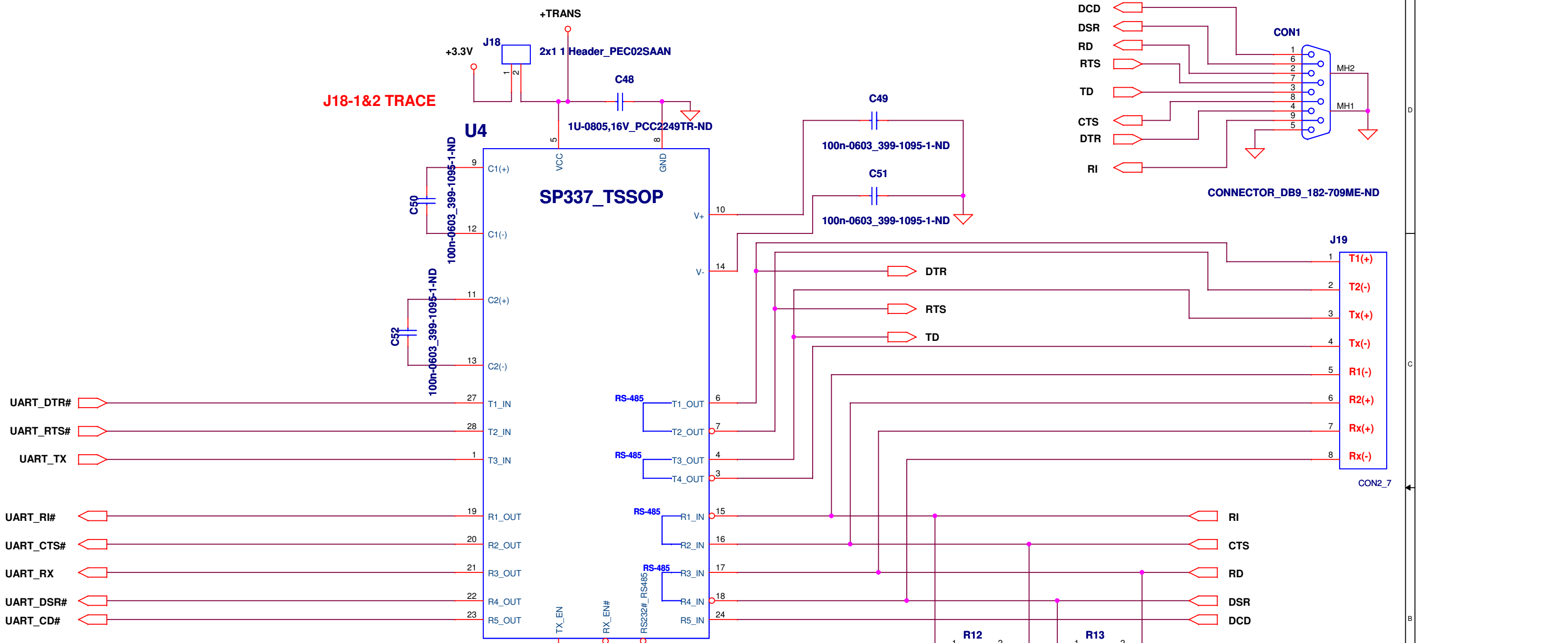


TRACE  
J38-1&2, J38-4&5

Title		
<b>XR20M1280 EVALUATION BOARD</b>		
Size	Document Number	Rev
Custom	<b>XR20M1280 24 QFN INTERFACE</b>	<b>1.0</b>
Date:	Tuesday, February 28, 2012	Sheet 4 of 8



Title		
<b>XR20M1280 EVALUATION BOARD</b>		
Size	Document Number	Rev
Cust	<b>RS485 24Mbps &amp; IR INTERFACE</b>	<b>1.0</b>
Date:	Tuesday, February 28, 2012	Sheet 8 of 8



J18-1&2 TRACE

CONNECTOR\_DB9\_182-709ME-ND

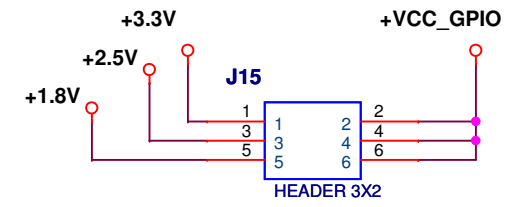
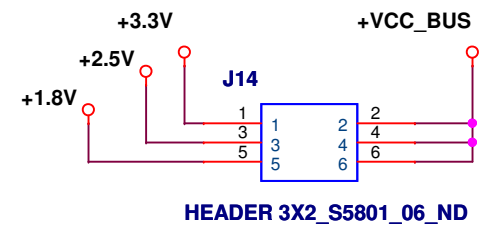
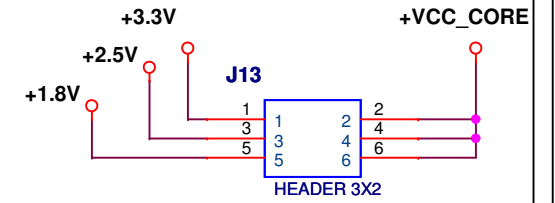
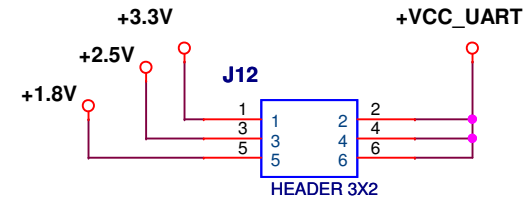
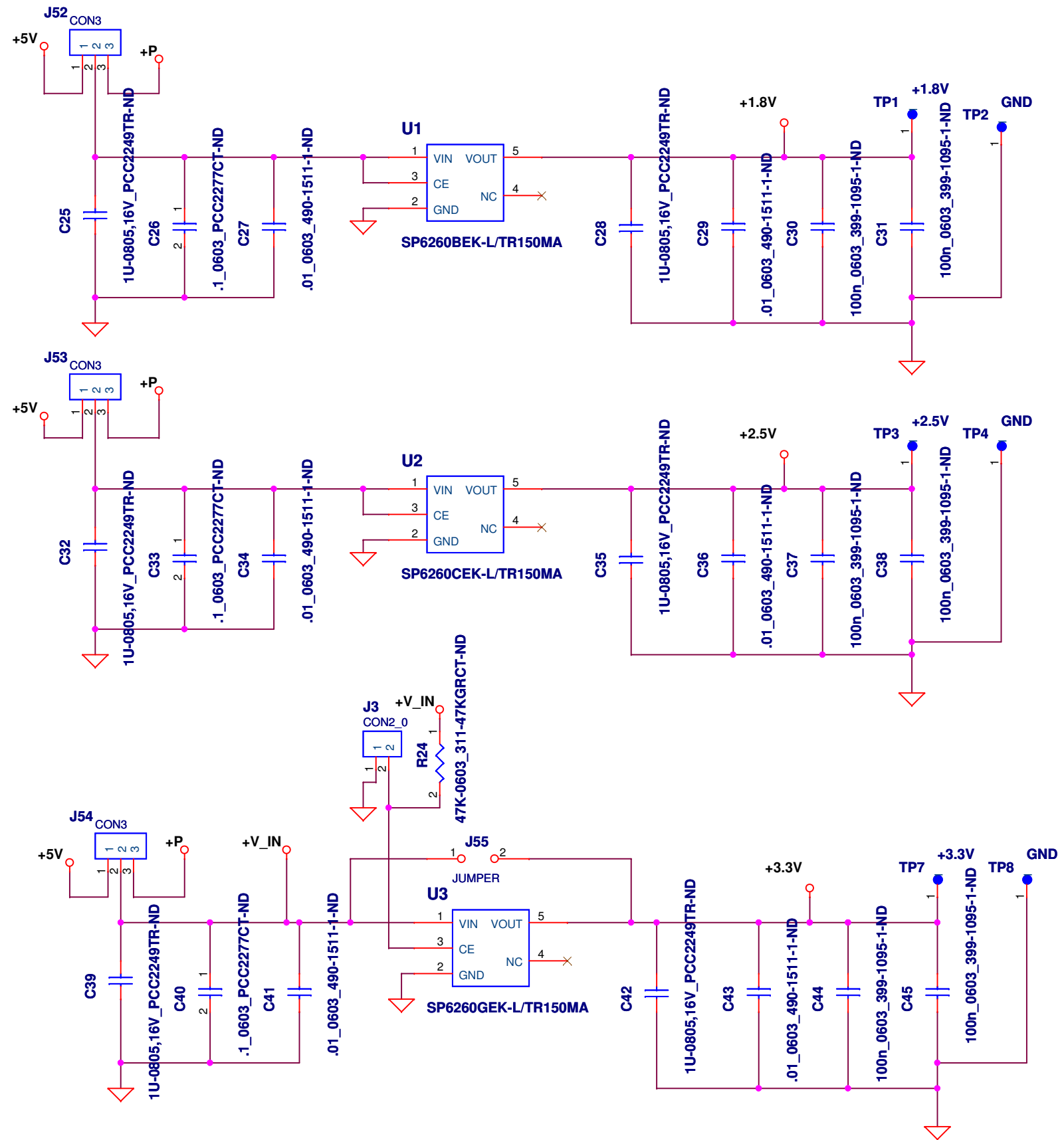
NOTES: J2,R1 & R2 NOT INSTALLED

NOTE: "NC" "0" "0"  
RS232

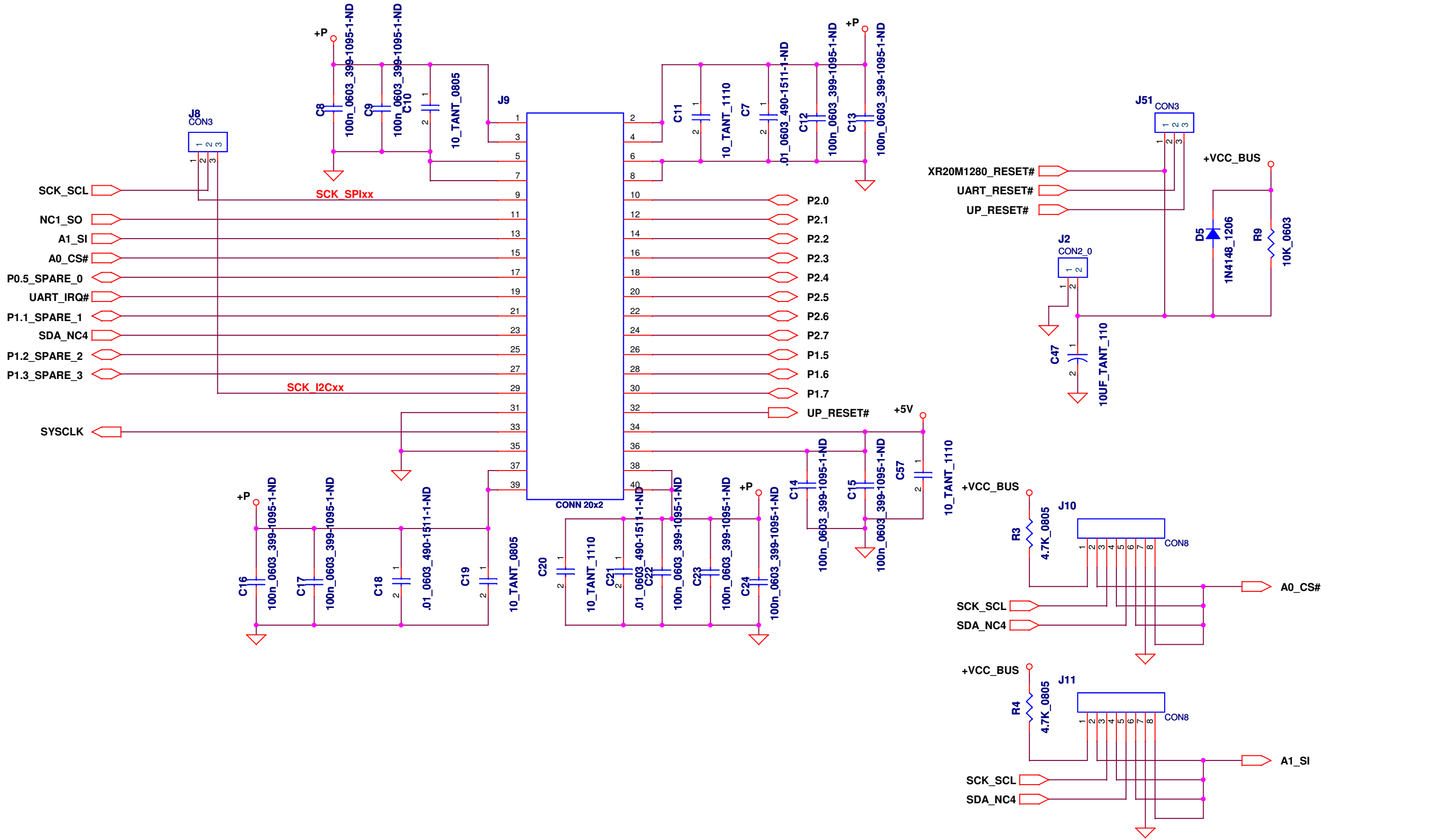
NOTE: "0" "1" "1"  
OFF

Copyright ©2010 Exar Corporation. All rights reserved.

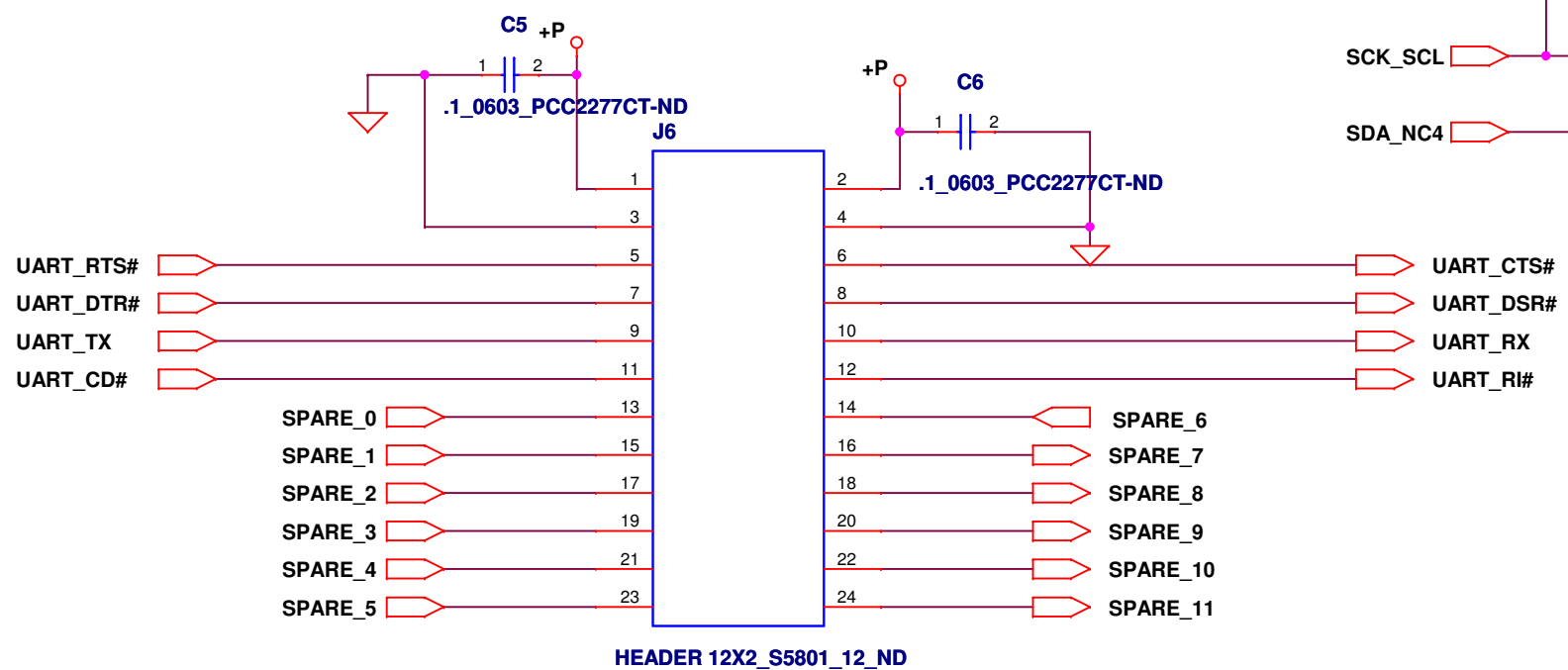
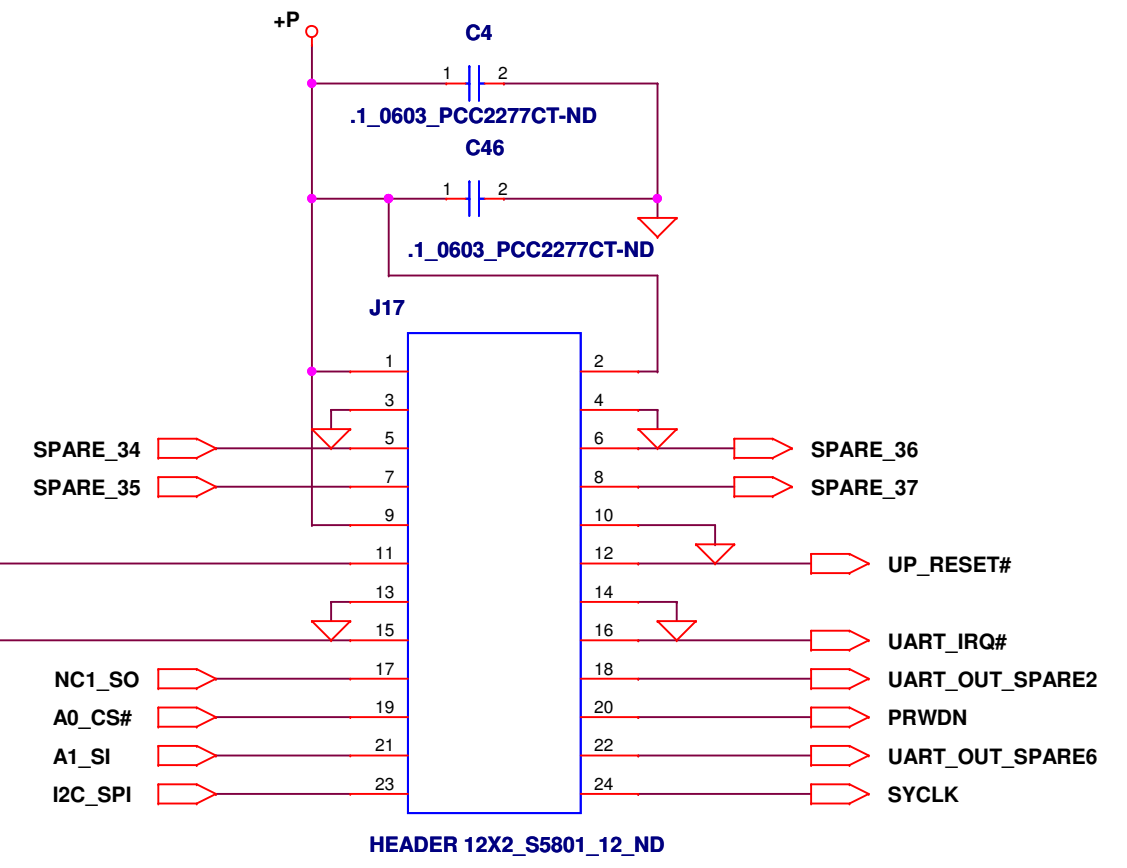
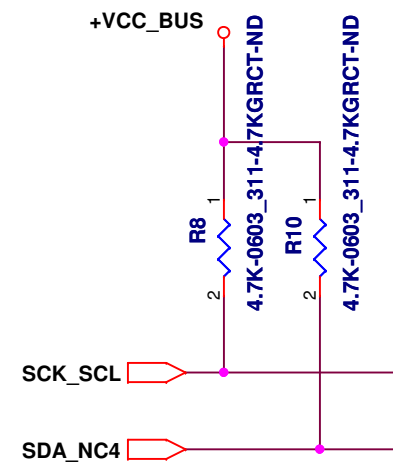
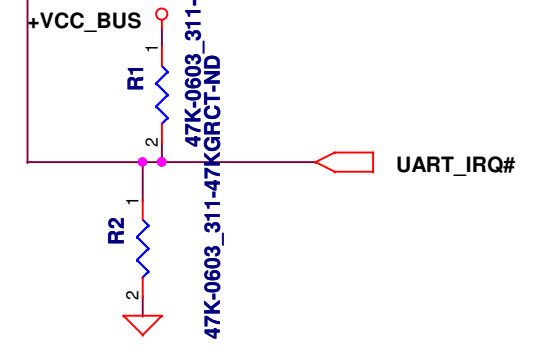
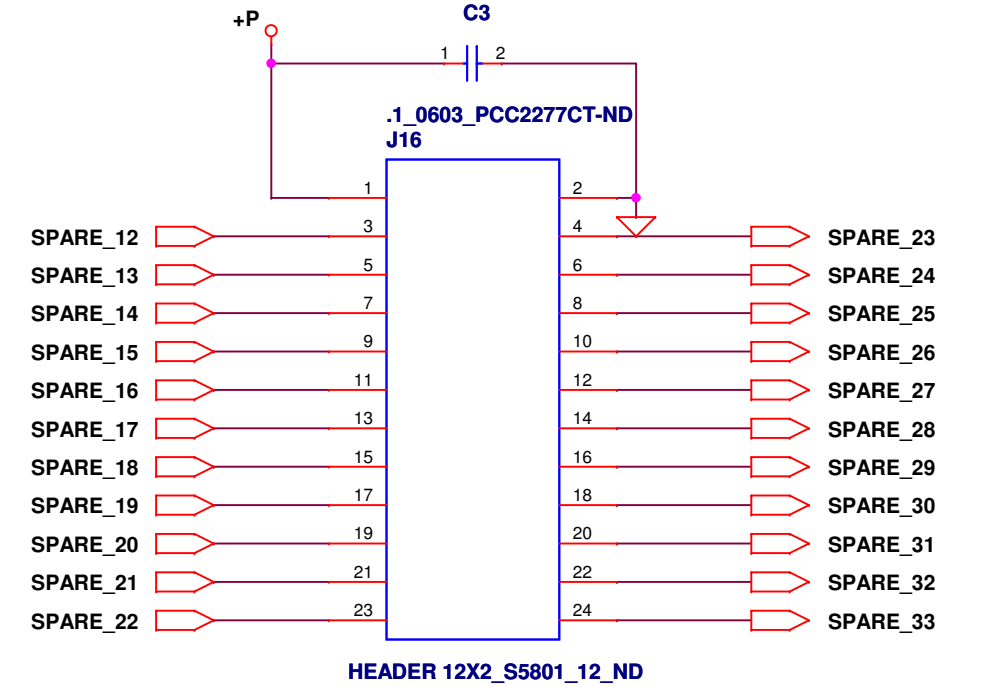
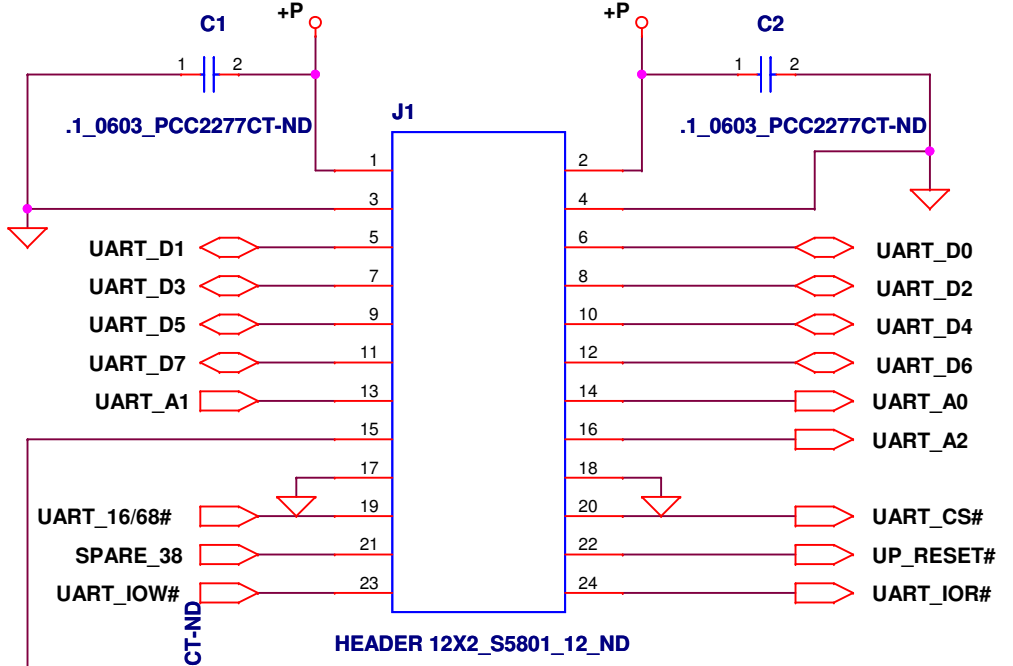
Schematic		
<b>XR20M1280 EVALUATION BOARD</b>		
Title		
<b>RS232 AND RS485 INTERFACE</b>		
Size	Document Number	Rev
Custom		<b>1.0</b>
Date: Tuesday, February 28, 2012	Sheet 7 of 8	

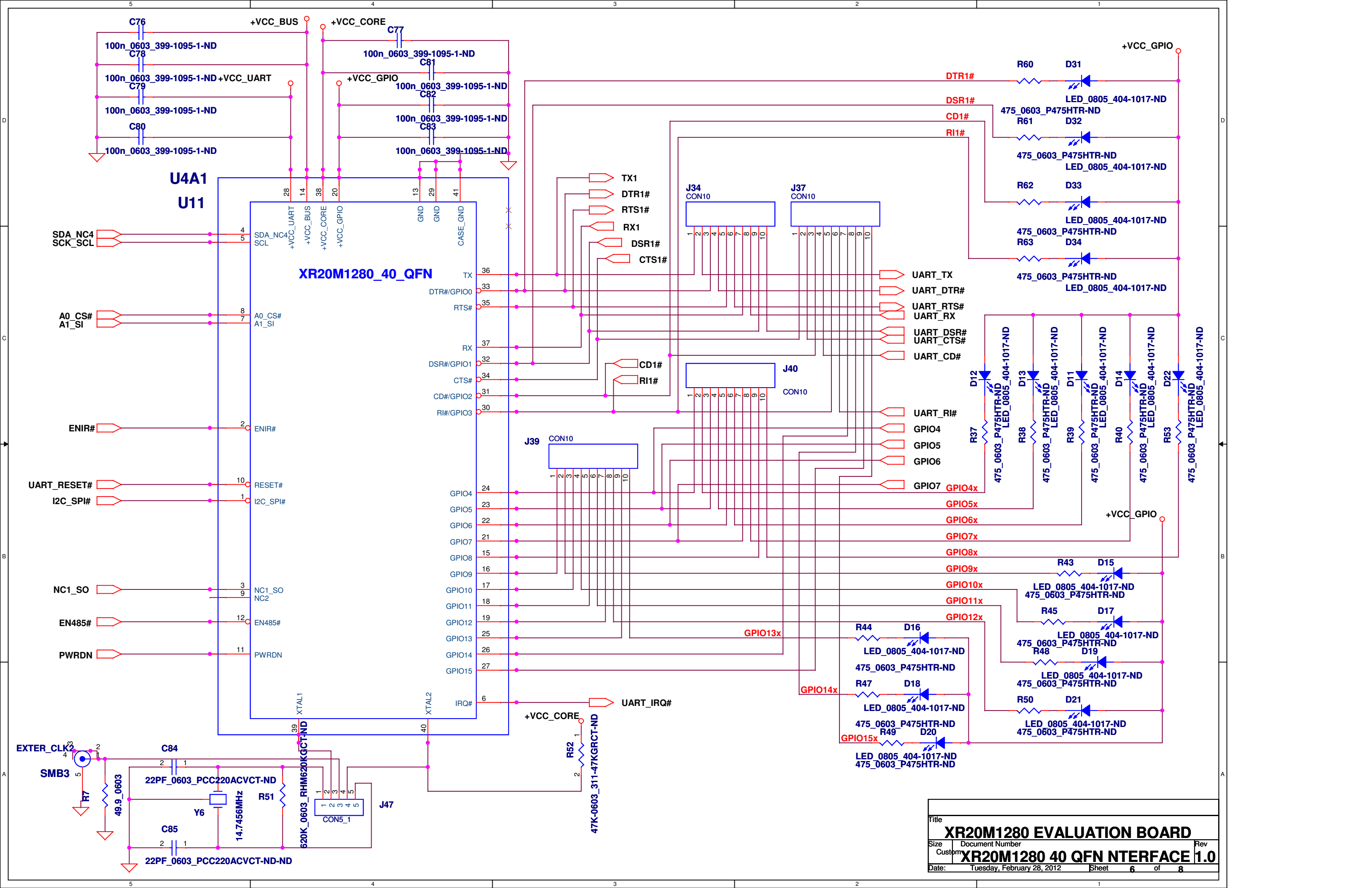


Title		
<b>XR20M1280 EVALUATION BOARD</b>		
Size	Document Number	Rev
<b>POWER DISTRIBUTION CIRCUIT 1.0</b>		
Date:	Tuesday, February 28, 2012	Sheet 1 of 8



Title		
<b>XR20M1280 EVALUATION BOARD</b>		
Size	Document Number	Rev
Cu	<b>POWER AND INTERCONNECTION 1.0</b>	
Date:	Tuesday, February 28, 2012	Sheet 3 of 8





Title		
<b>XR20M1280 EVALUATION BOARD</b>		
Size	Document Number	Rev
Custom	<b>XR20M1280 40 QFN NTERFACE 1.0</b>	
Date:	Tuesday, February 28, 2012	Sheet 6 of 8