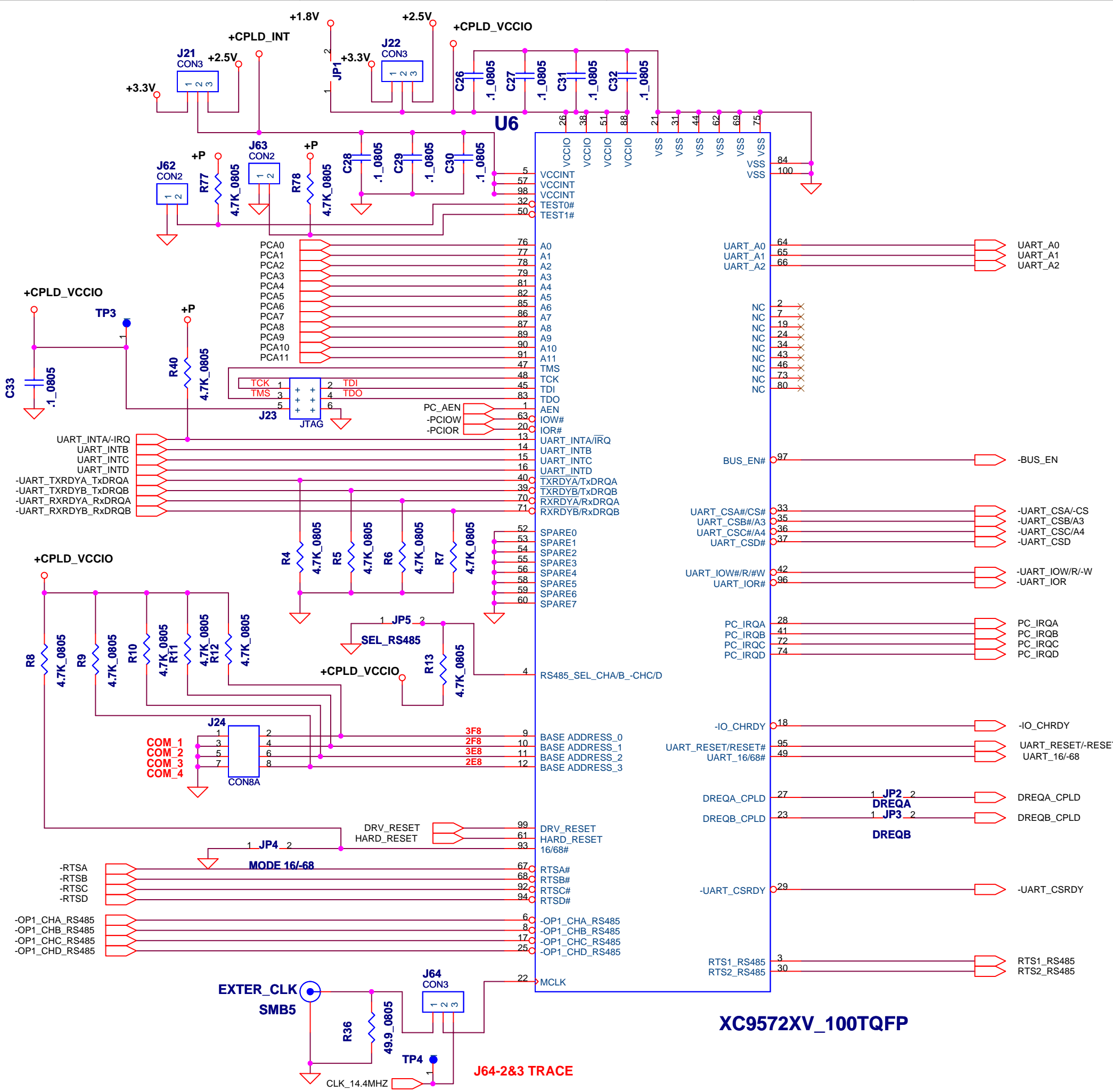
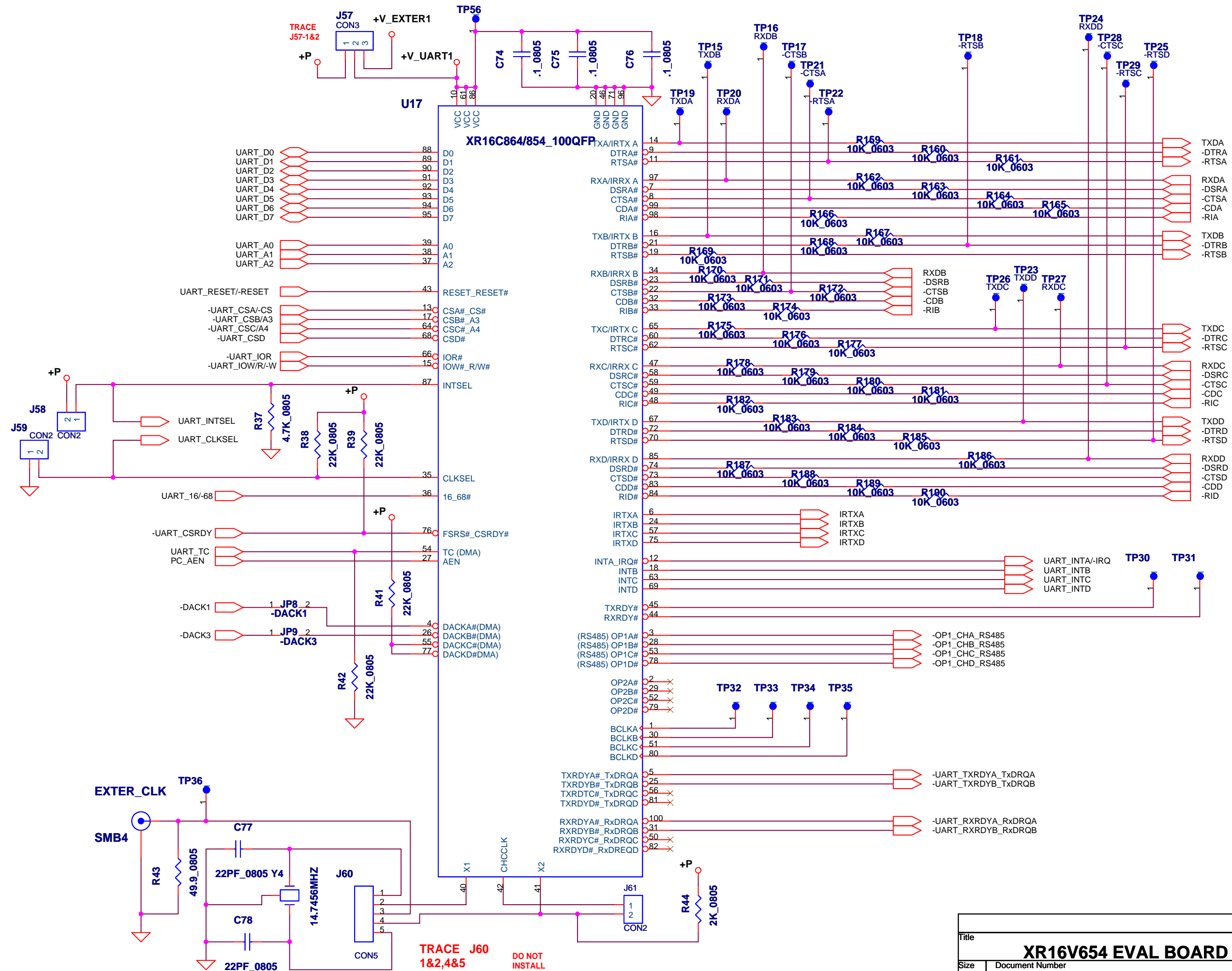


Exar		
Title		
XR16V654 Eval Board		
Size	Document Number	Rev
Custom	ISA & POWER INTERFACE	1.1
Date:	Monday, September 10, 2007	Sheet 1 of 10



XC9572XV_100TQFP

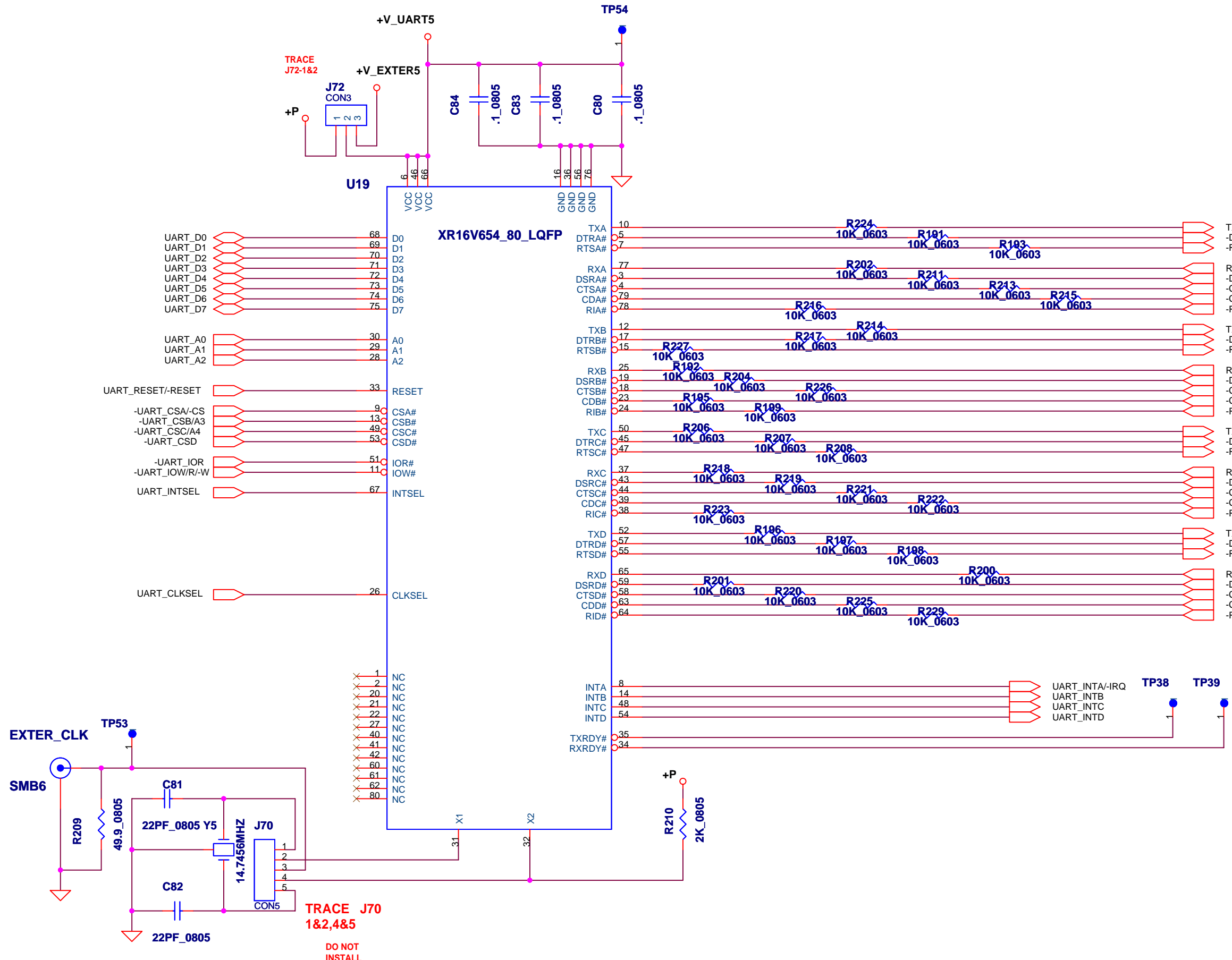
Title		
XR16V654 EVAL BOARD		
Size	Document Number	Rev
Custom	CPLD INTERFACE	1.1
Date:	Monday, September 10, 2007	Sheet 2 of 10



TRACE J57-1&2

TRACE J60 1&2,4&5
DO NOT INSTALL

Title		
XR16V654 EVAL BOARD		
Size	Document Number	Rev
Custom	UART XR16V864 100 TQFP	1.1
Date:	Monday, September 10, 2007	Sheet 3 of 10



TRACE
J72-1&2

J72
CON3

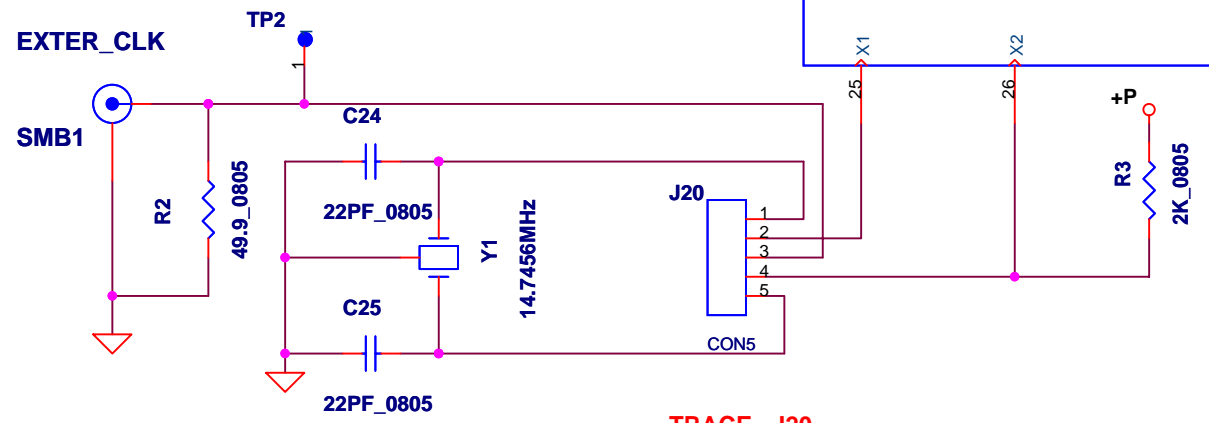
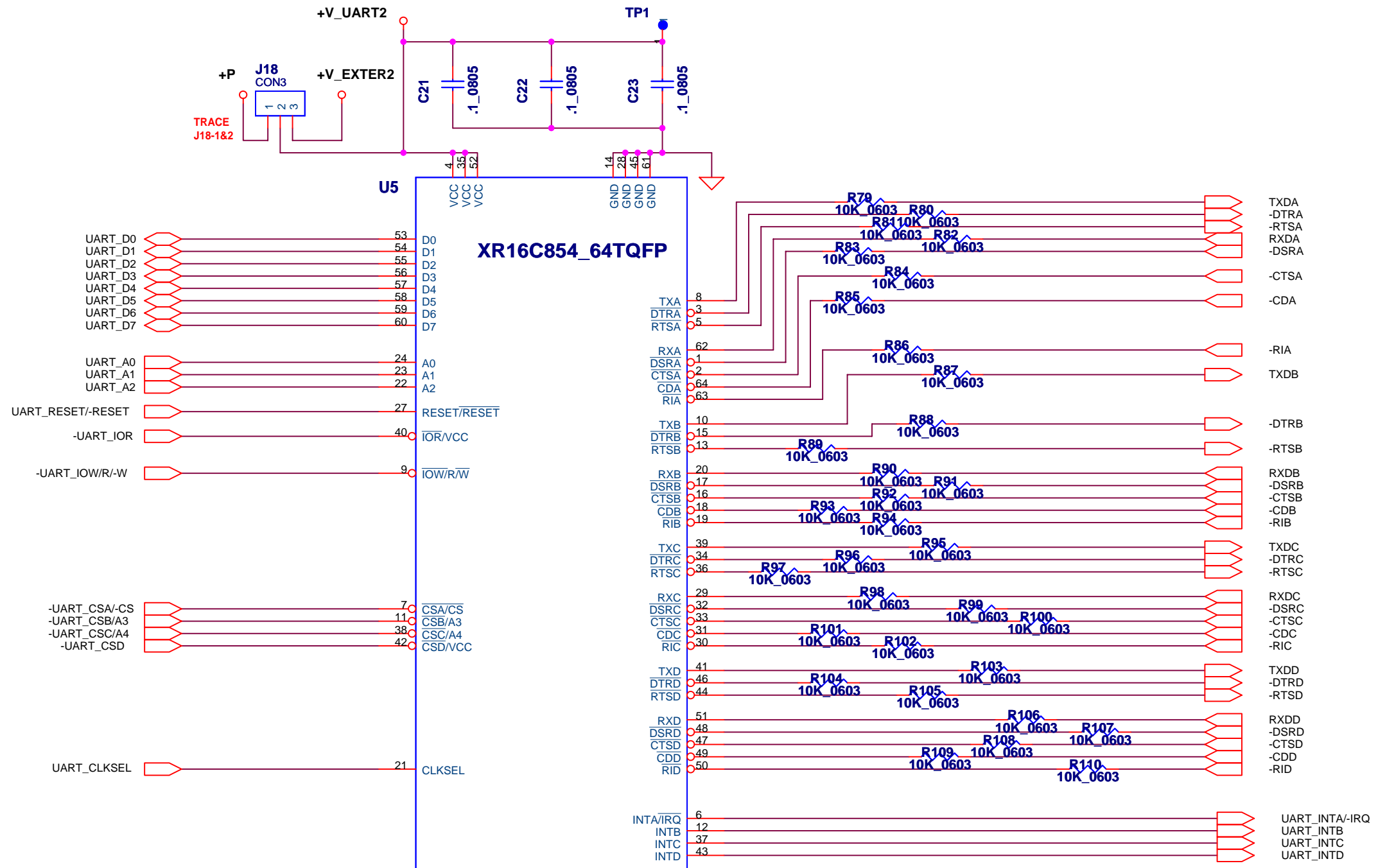
U19

XR16V654_80_LQFP

TRACE J70
1&2,4&5

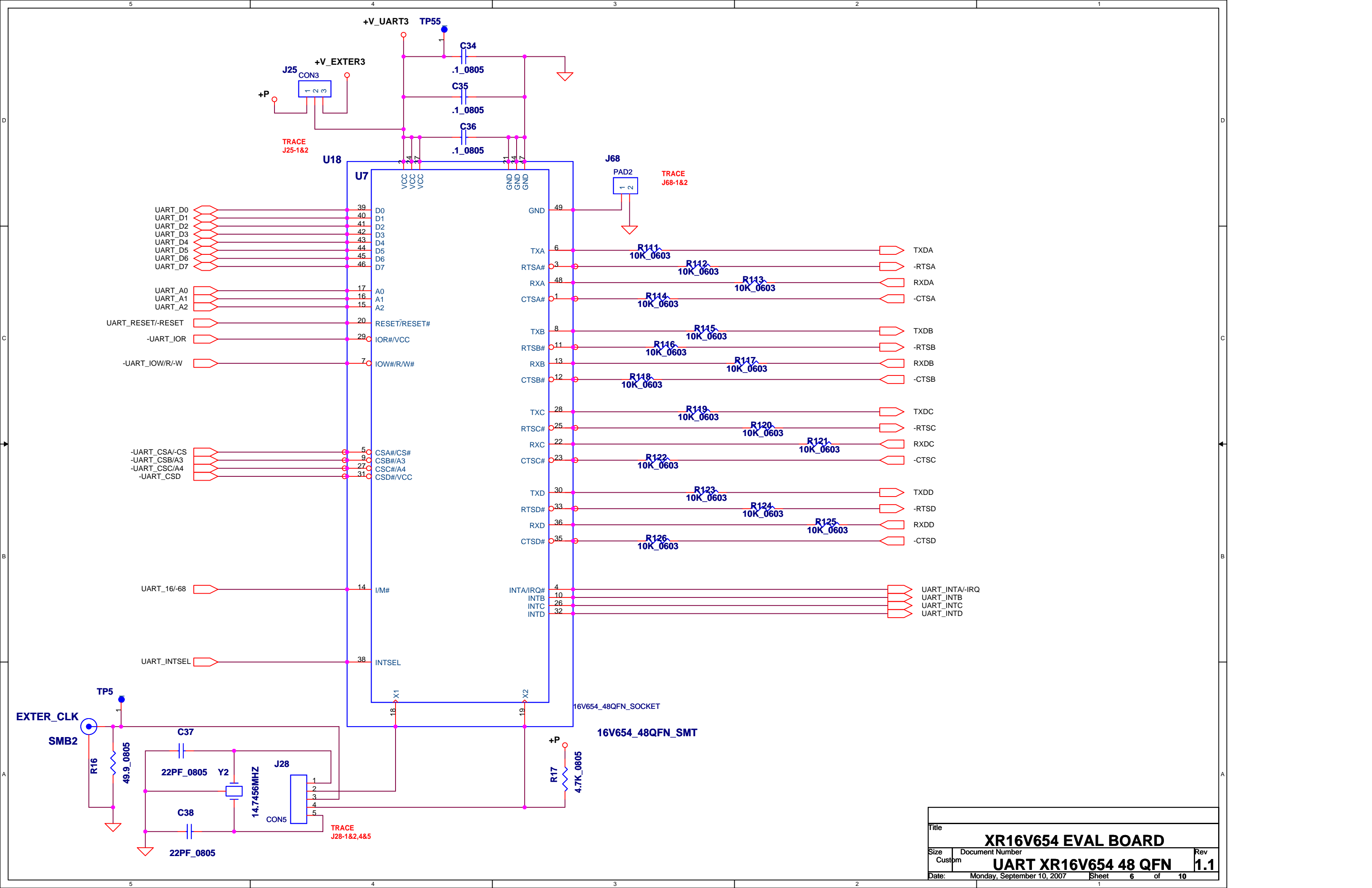
DO NOT
INSTALL

Title		
XR16V654 EVAL BOARD		
Size	Document Number	Rev
Custom	UART XR16V754 80 LQFP	1.1
Date:	Monday, September 10, 2007	Sheet 1 4 of 10

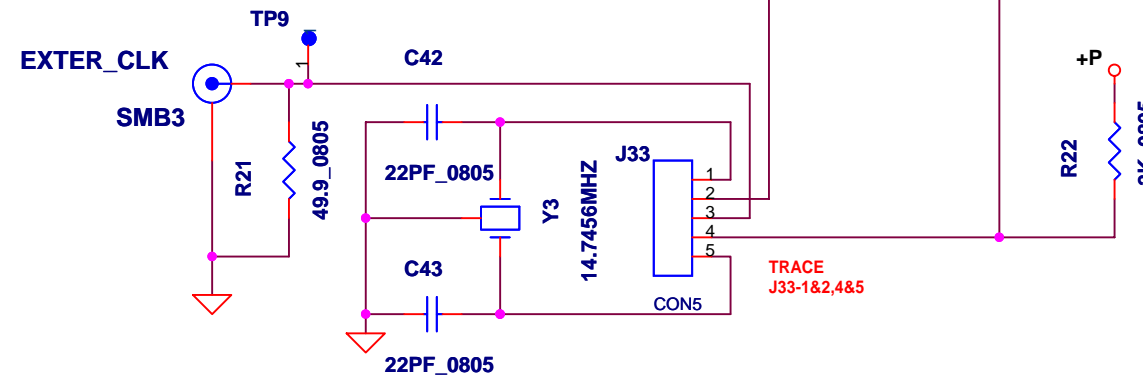
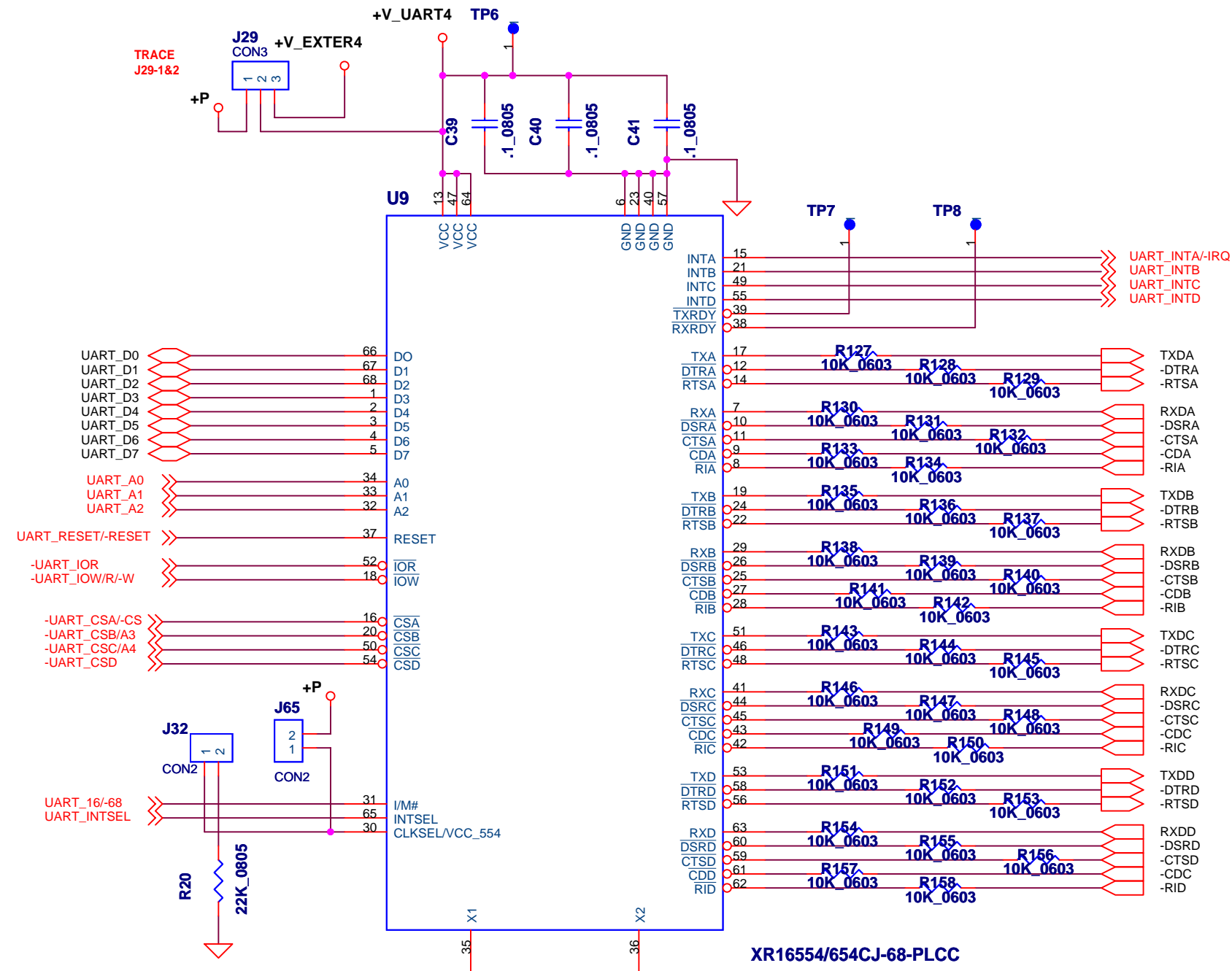


TRACE J20
1&2, 4&5

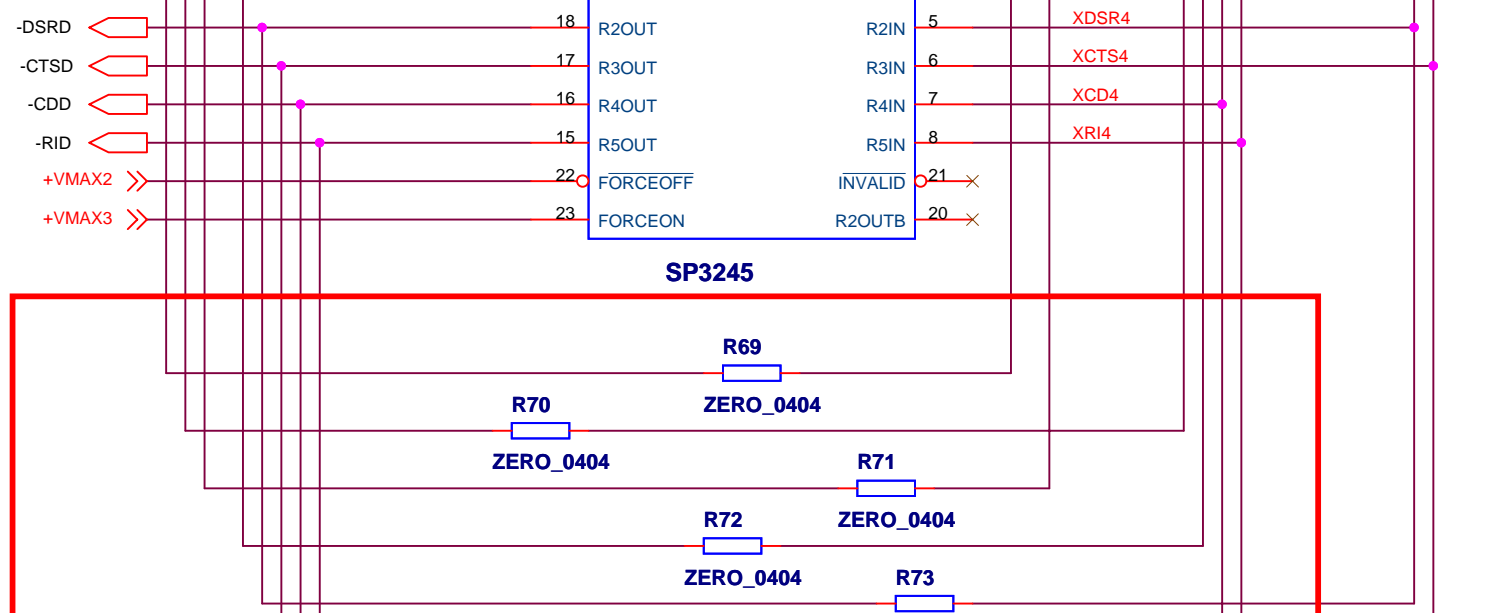
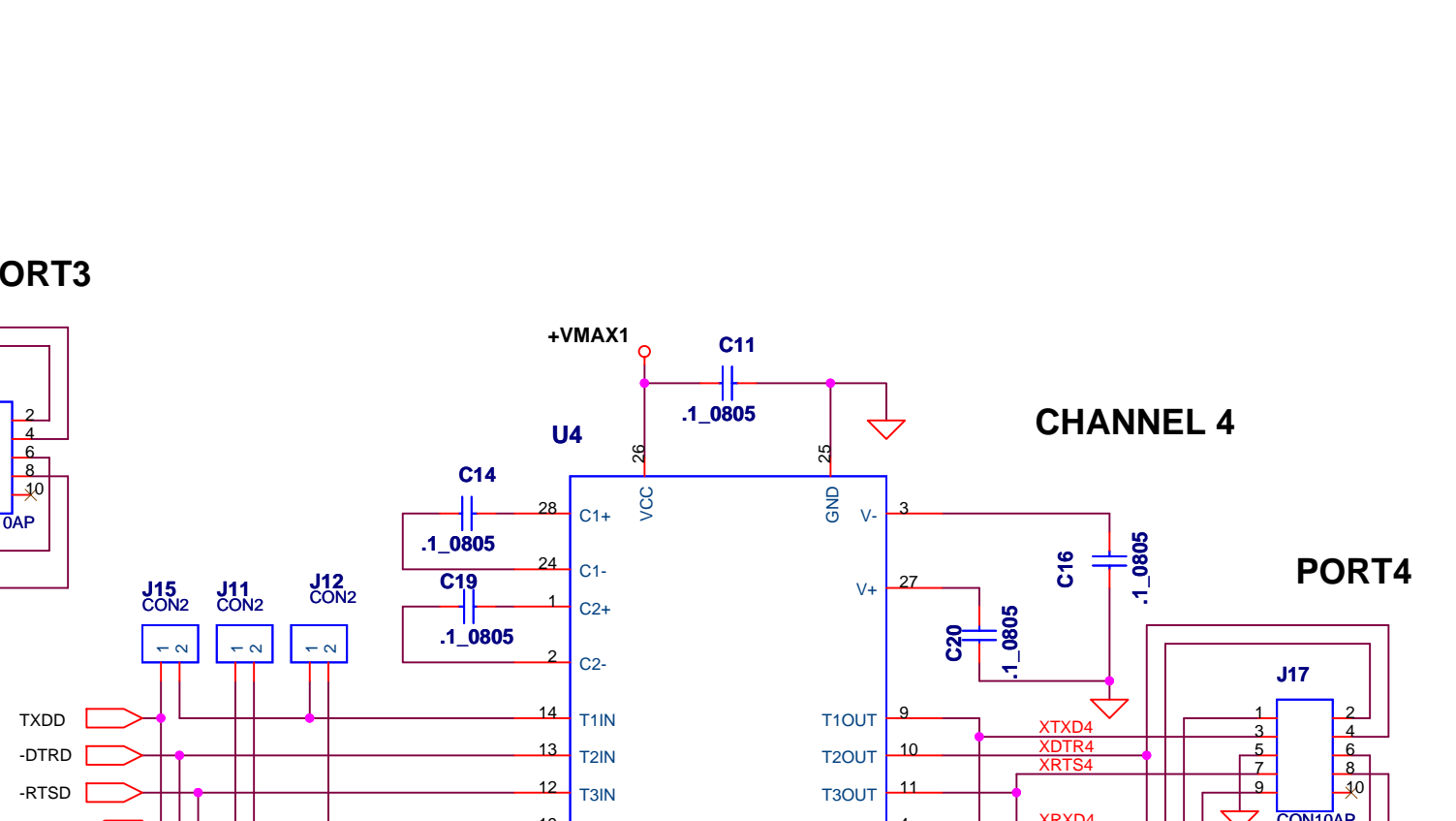
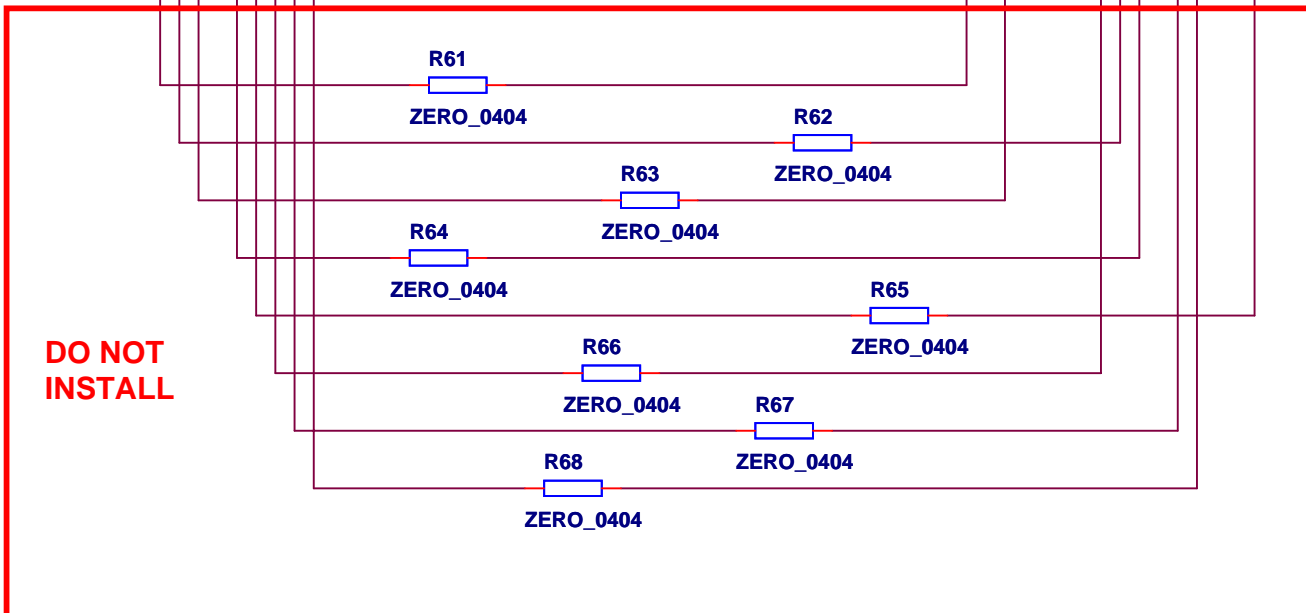
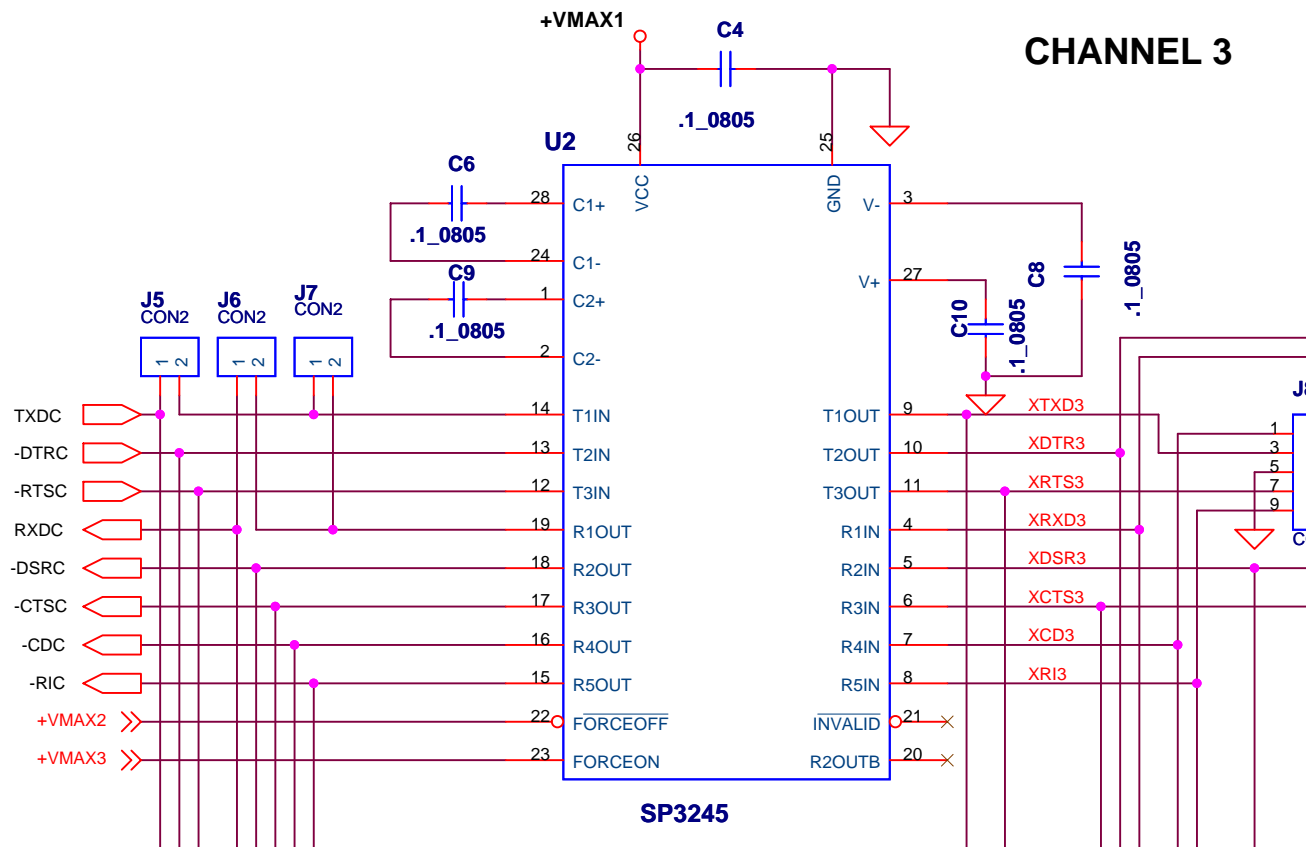
Title		
XR16V654 EVAL BOARD		
Size	Document Number	Rev
Custom	UART XR16V854 64TQFP	1.1
Date:	Monday, September 10, 2007	Sheet 5 of 10



Title		
XR16V654 EVAL BOARD		
Size	Document Number	Rev
Custom	UART XR16V654 48 QFN	1.1
Date:	Monday, September 10, 2007	Sheet 6 of 10



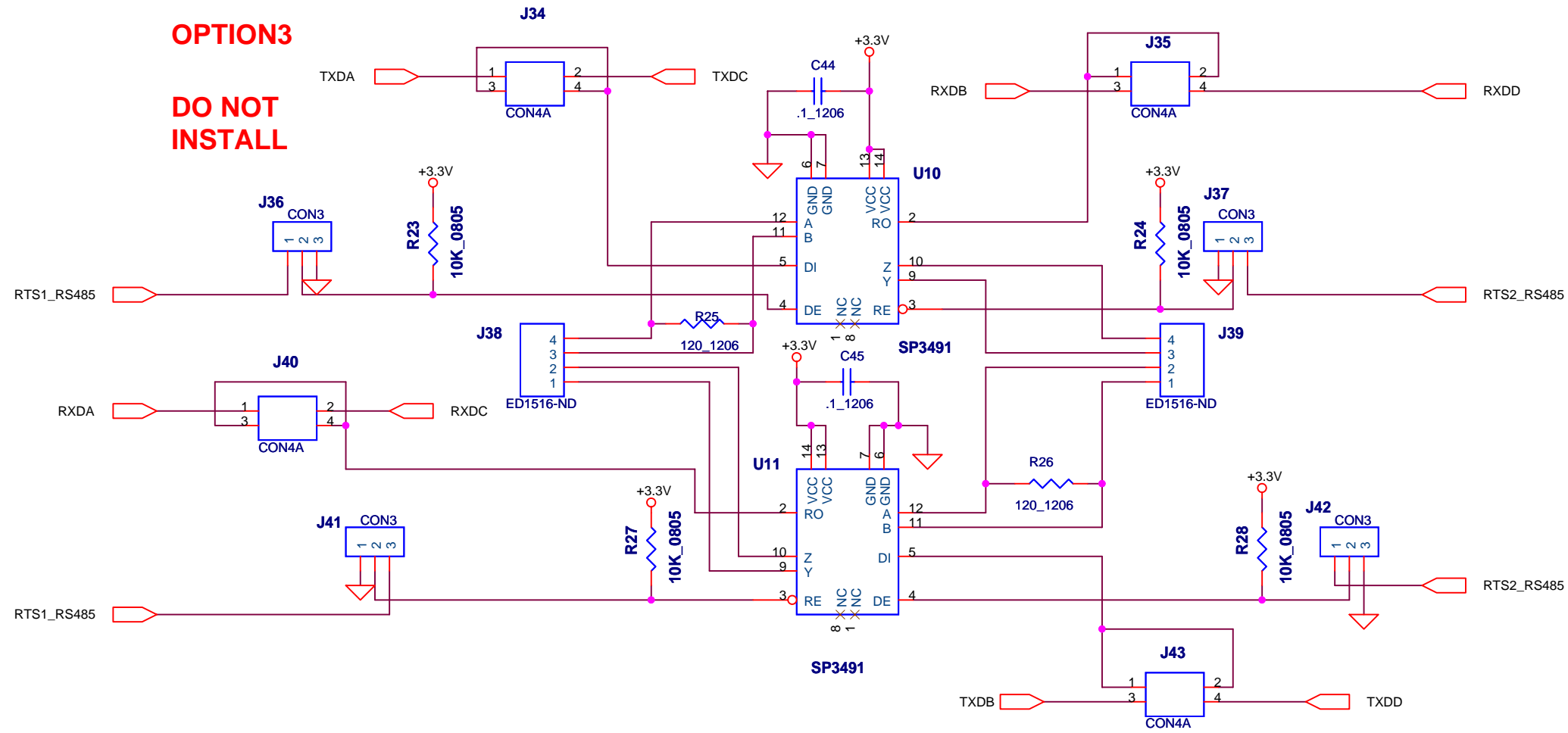
Title		
XR16V654 EVAL BOARD		
Size	Document Number	Rev
Custom	UART XR16V654-68 PLCC	1.1
Date:	Monday, September 10, 2007	Sheet 7 of 10



Title		
XR16V654 EVAL BOARD		
Size	Document Number	Rev
Custom	RS-232 CHANNELS 3-4	1.1
Date:	Monday, September 10, 2007	Sheet 9 of 10

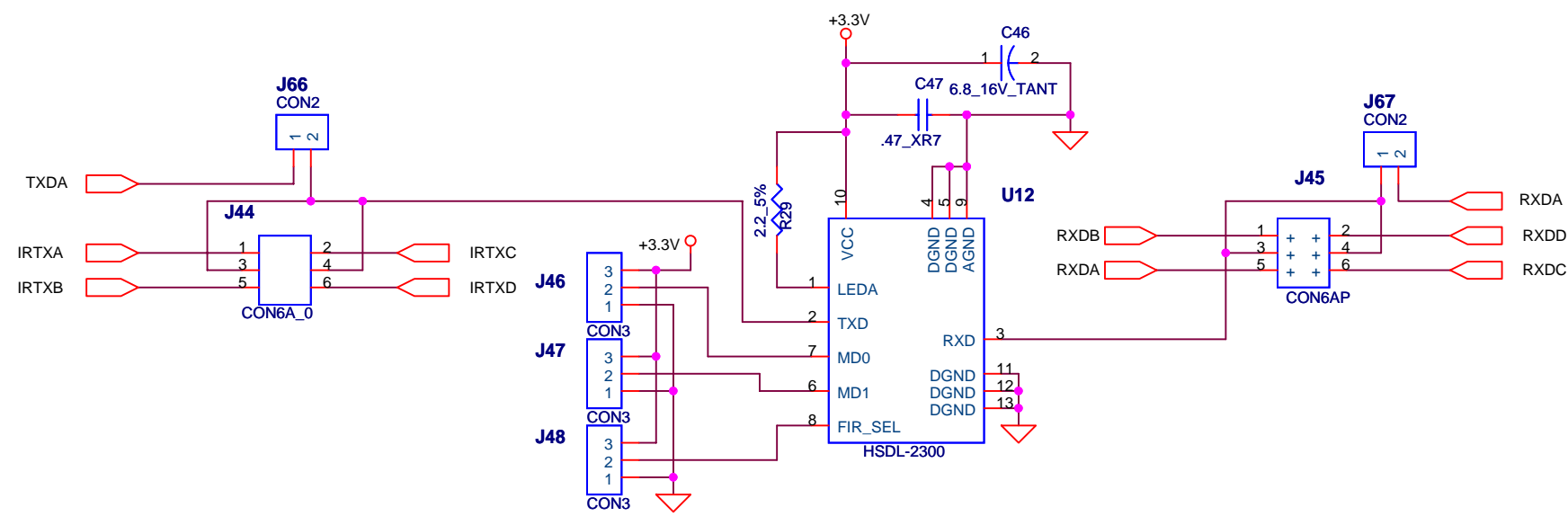
OPTION3

**DO NOT
INSTALL**



OPTION4

CHANNEL_IR



Title		
XR16V654 EVAL BOARD		
Size	Document Number	Rev
Custom	RS-422/485 & IrDA INTERFACE	1.1
Date:	Monday, September 10, 2007	Sheet 10 of 10