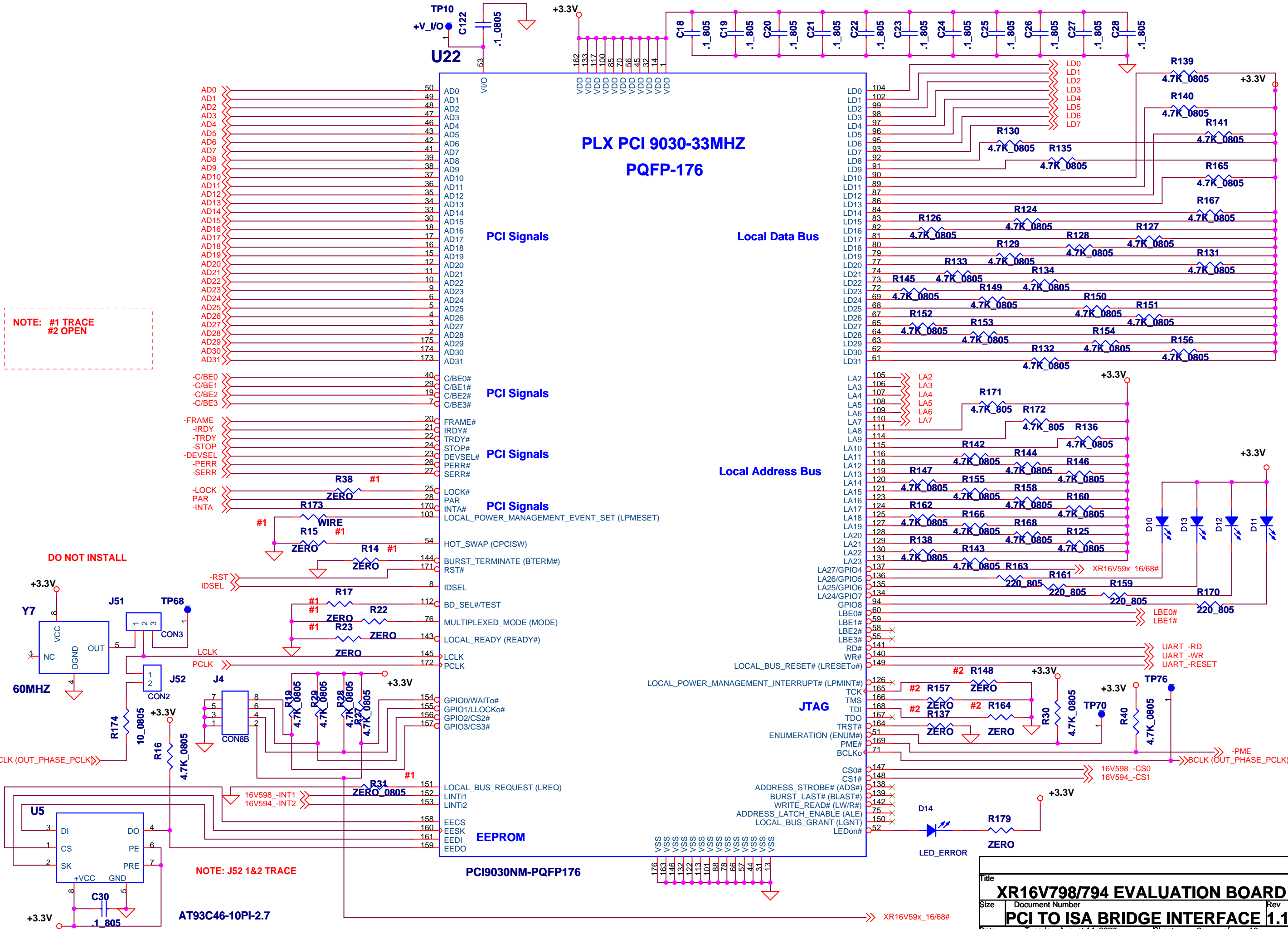


Title		
XR16V798/794 EVALUATION BOARD		
Size	Document Number	Rev
Custom	PCI INTERFACE	1.1
Date:	Tuesday, August 14, 2007	Sheet 1 of 10

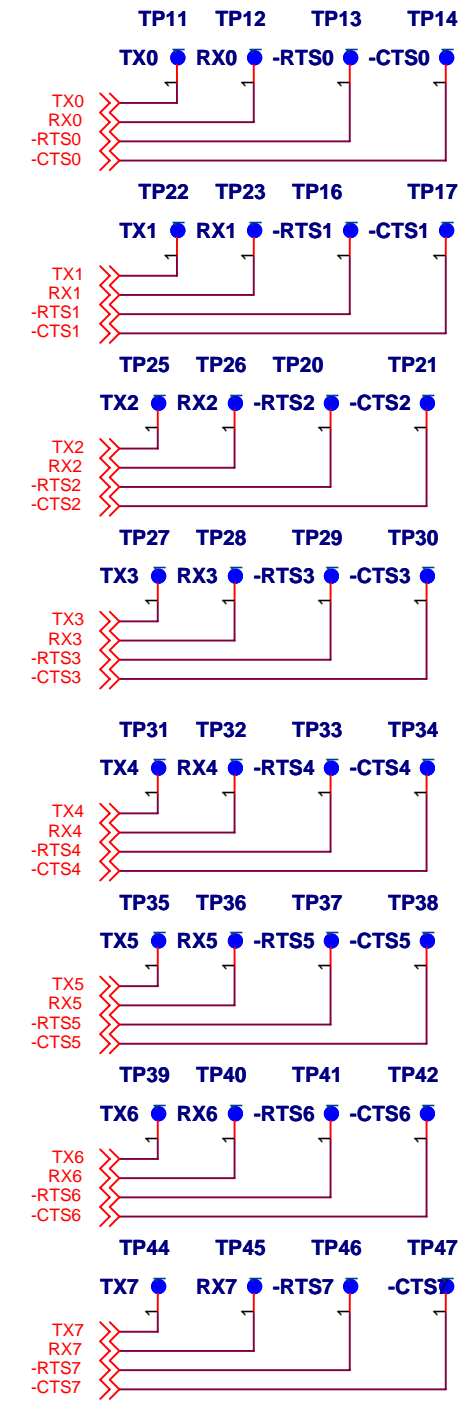
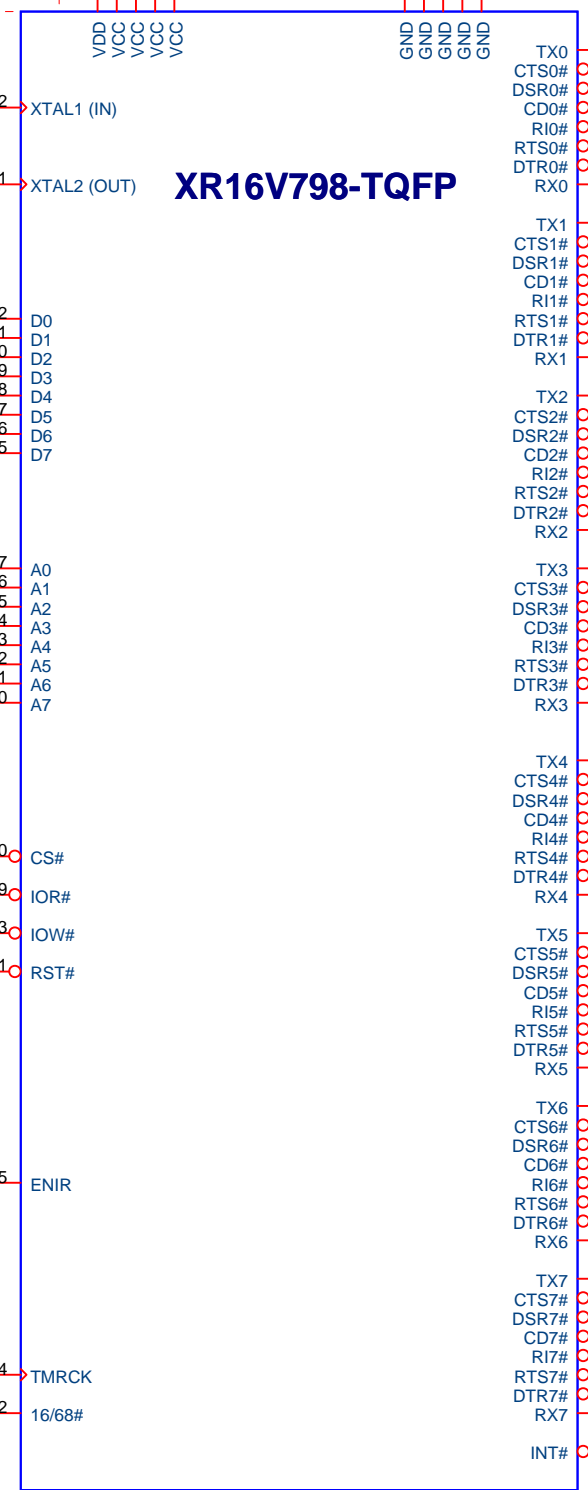
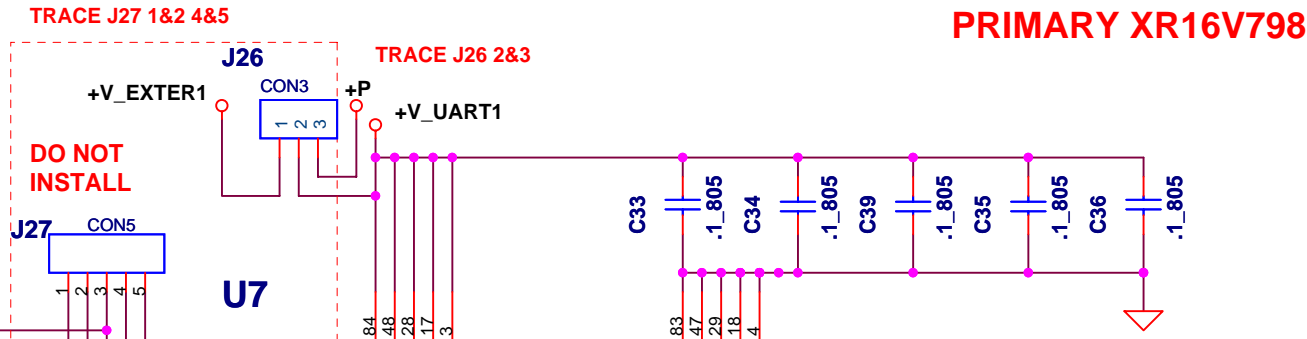
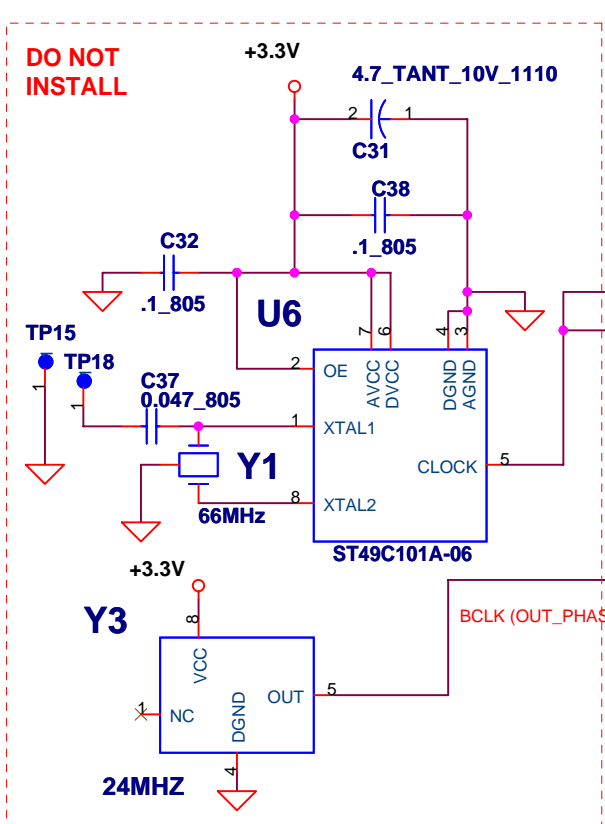
NOTE: #1 TRACE #2 OPEN

DO NOT INSTALL

NOTE: J52 1&2 TRACE

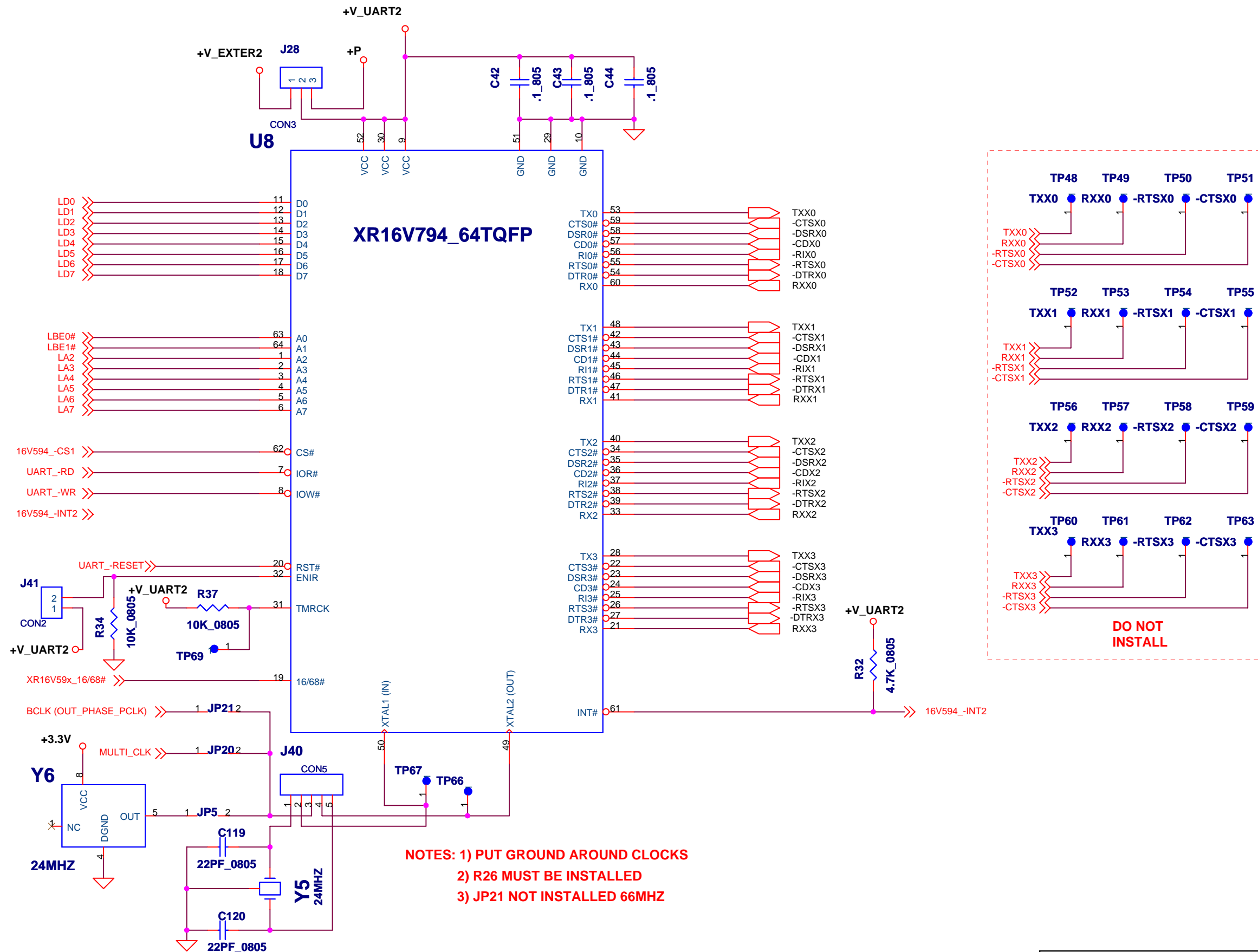


Title		
XR16V798/794 EVALUATION BOARD		
Size	Document Number	Rev
PCI TO ISA BRIDGE INTERFACE 1.1		
Date:	Tuesday, August 14, 2007	Sheet 2 of 10

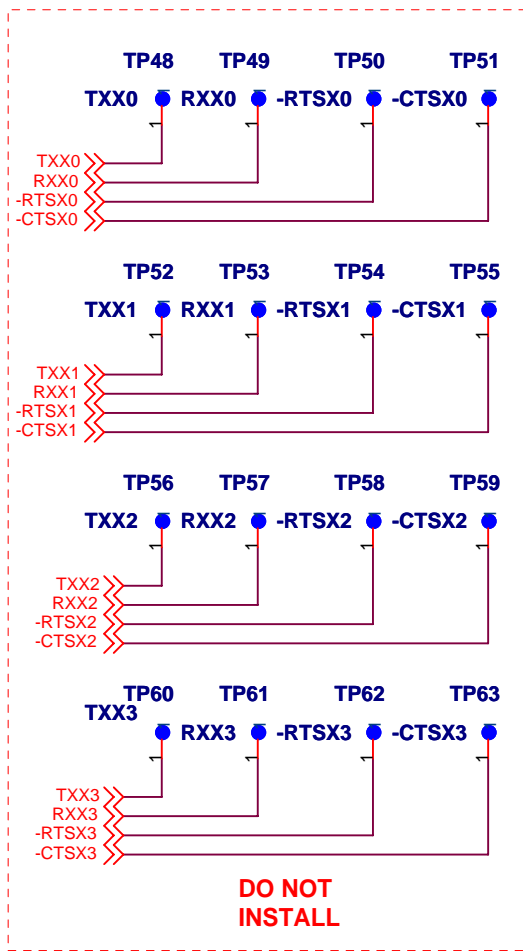


NOTES: 1) PUT GROUND AROUND CLOCKS
 2) R10 MUST BE INSTALLED
 3) JP4 NOT INSTALLED (66MHZ)

Title		
XR16V798/794 EVALUATION BOARD		
Size	Document Number	Rev
Custom	XR16V798-EIGHT CHANNELS	1.1
Date:	Tuesday, August 14, 2007	Sheet 3 of 10

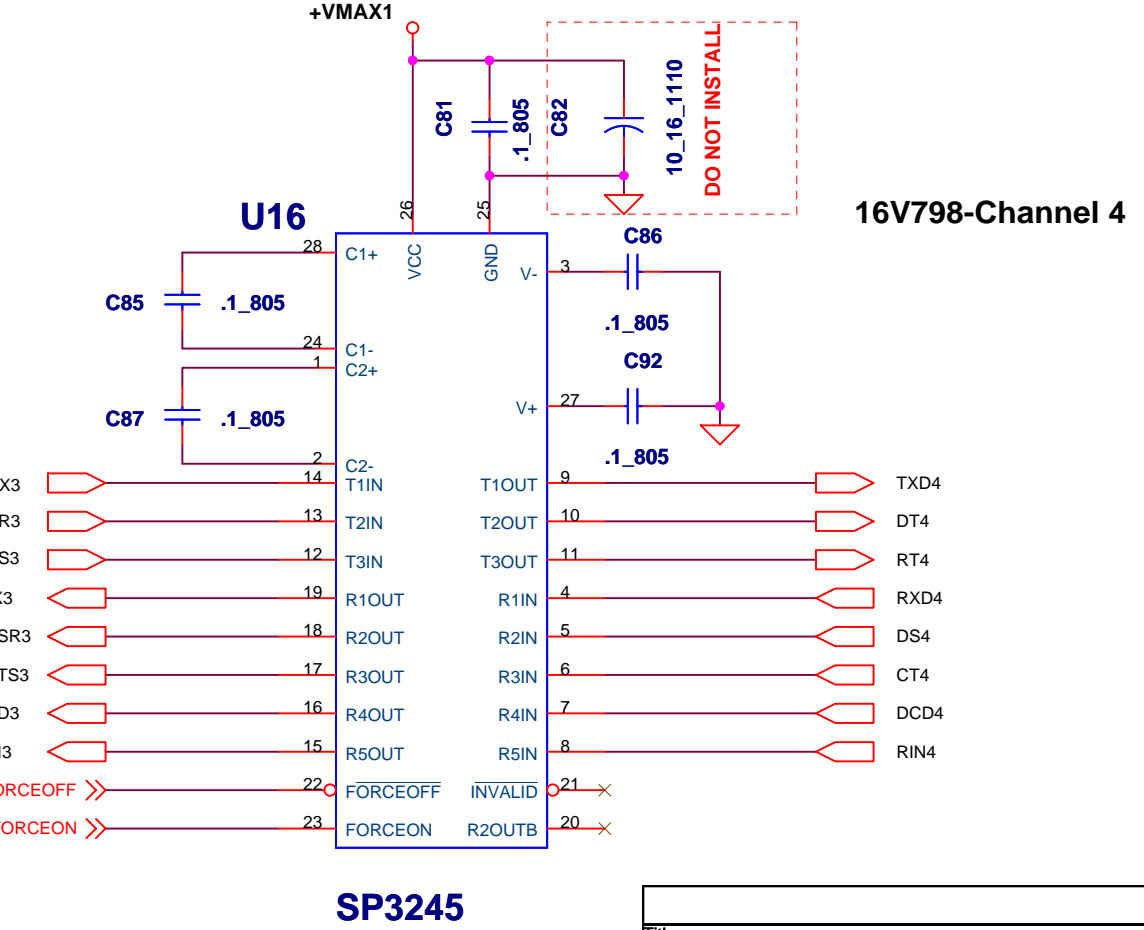
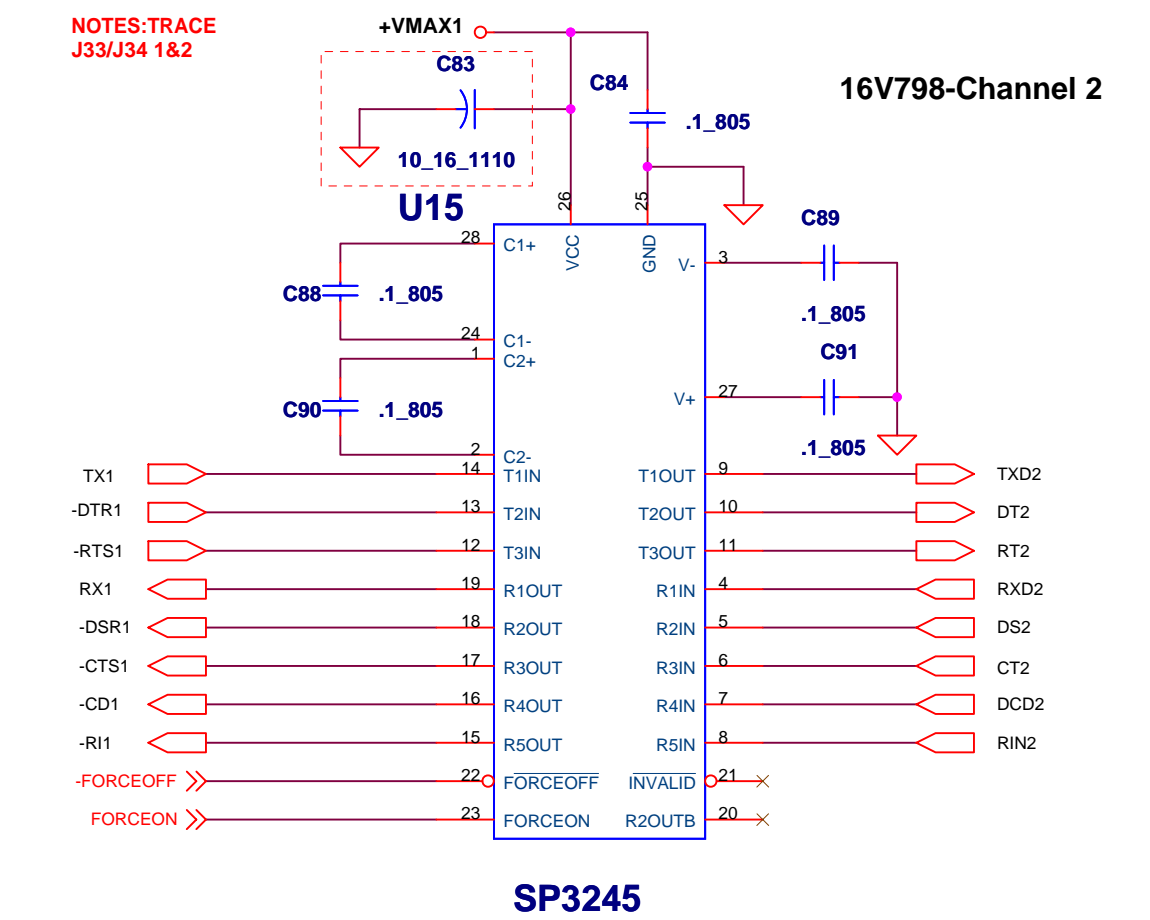
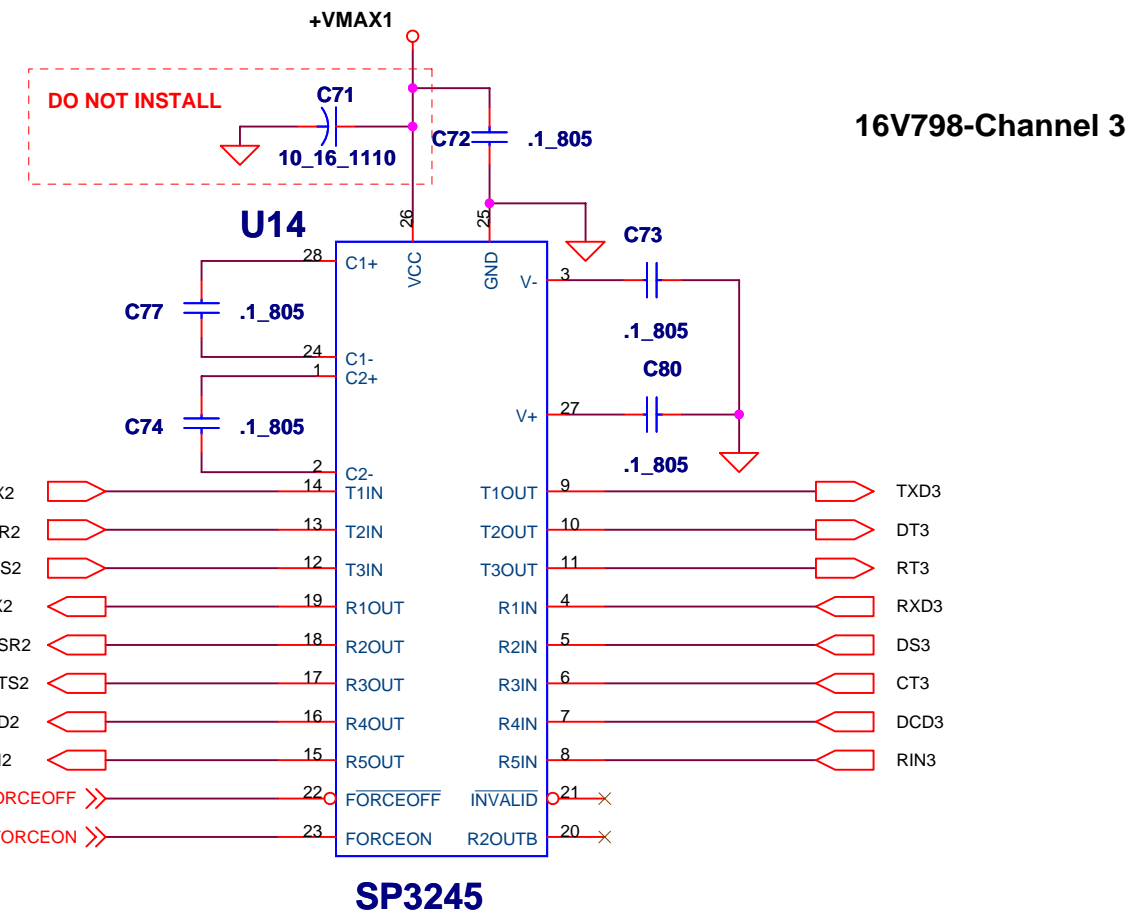
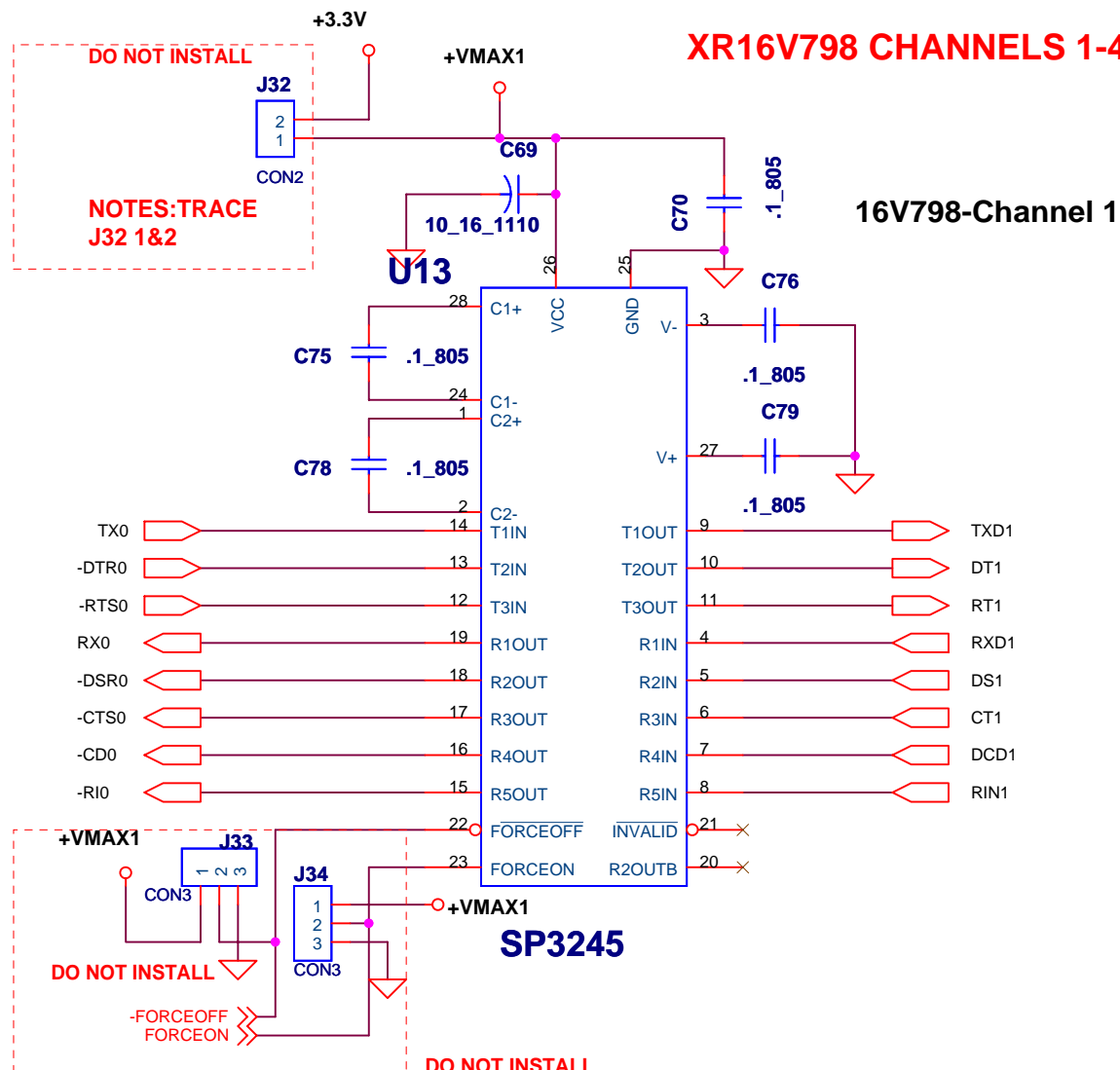


NOTES: 1) PUT GROUND AROUND CLOCKS
 2) R26 MUST BE INSTALLED
 3) JP21 NOT INSTALLED 66MHZ



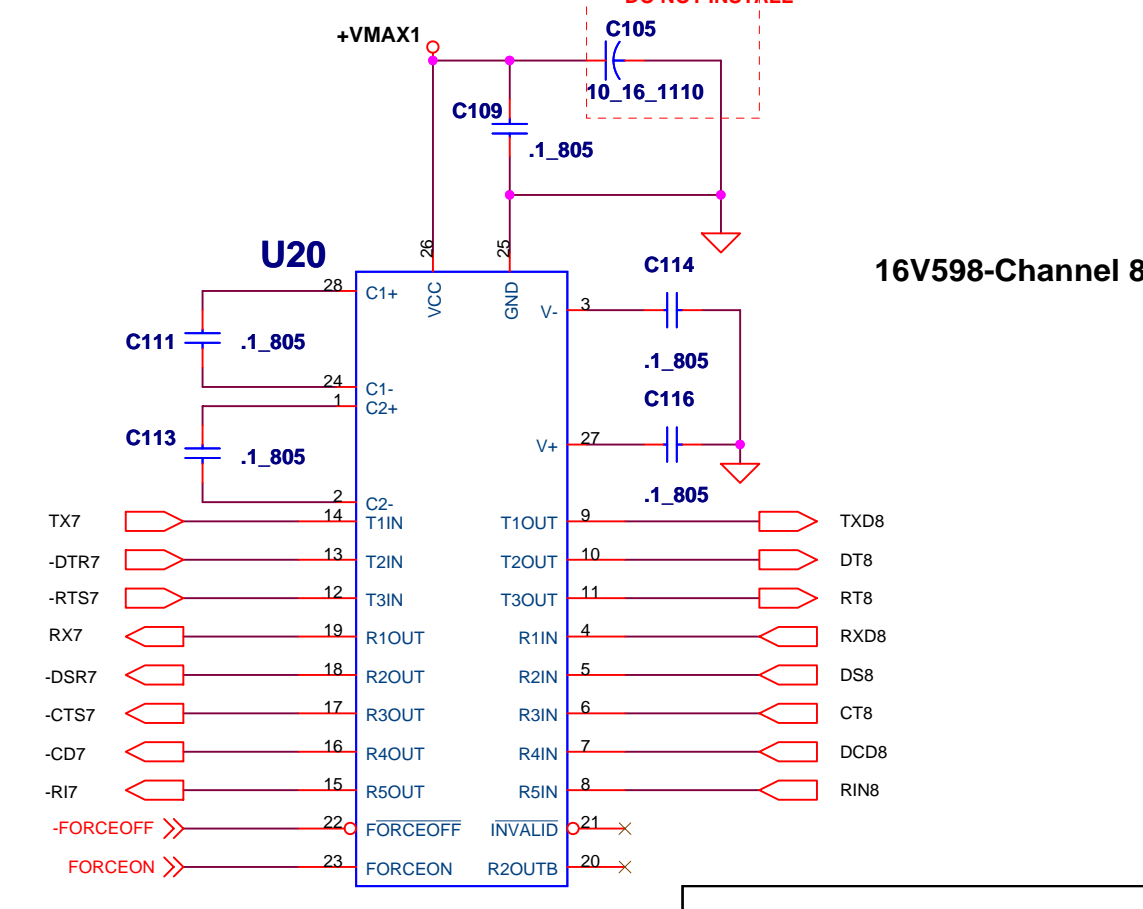
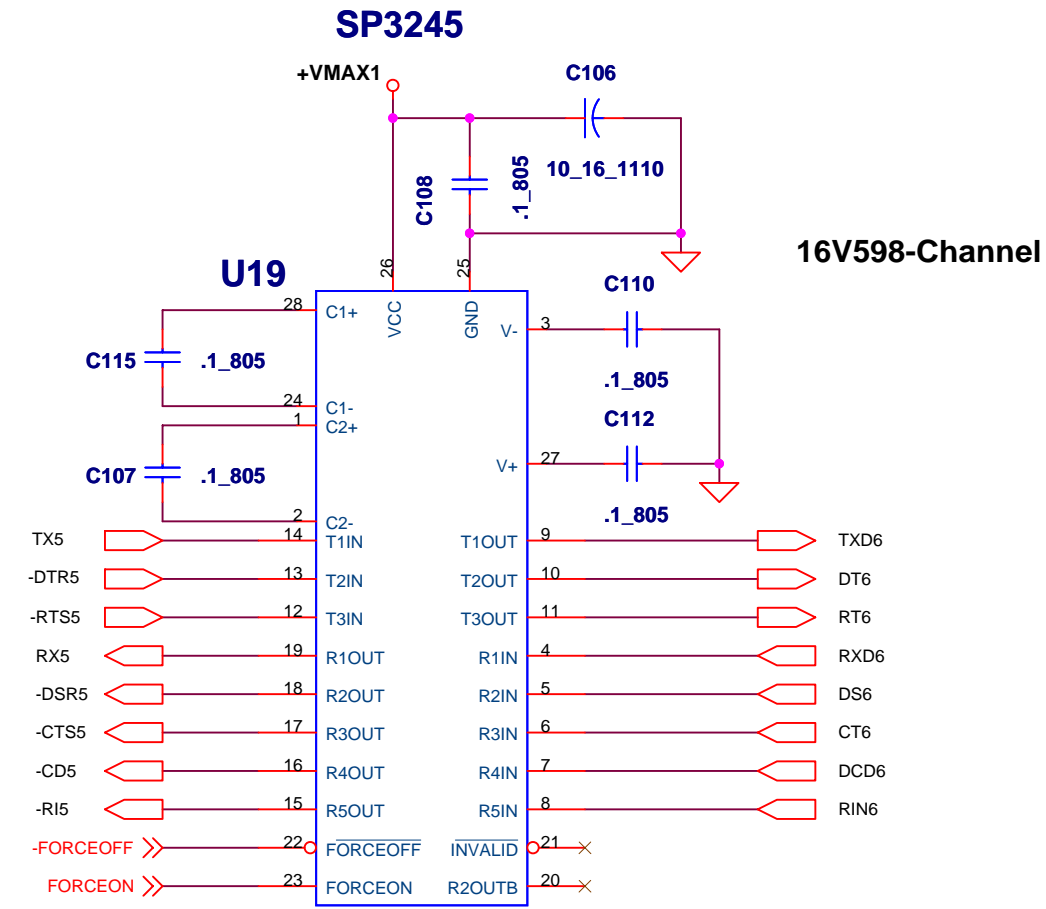
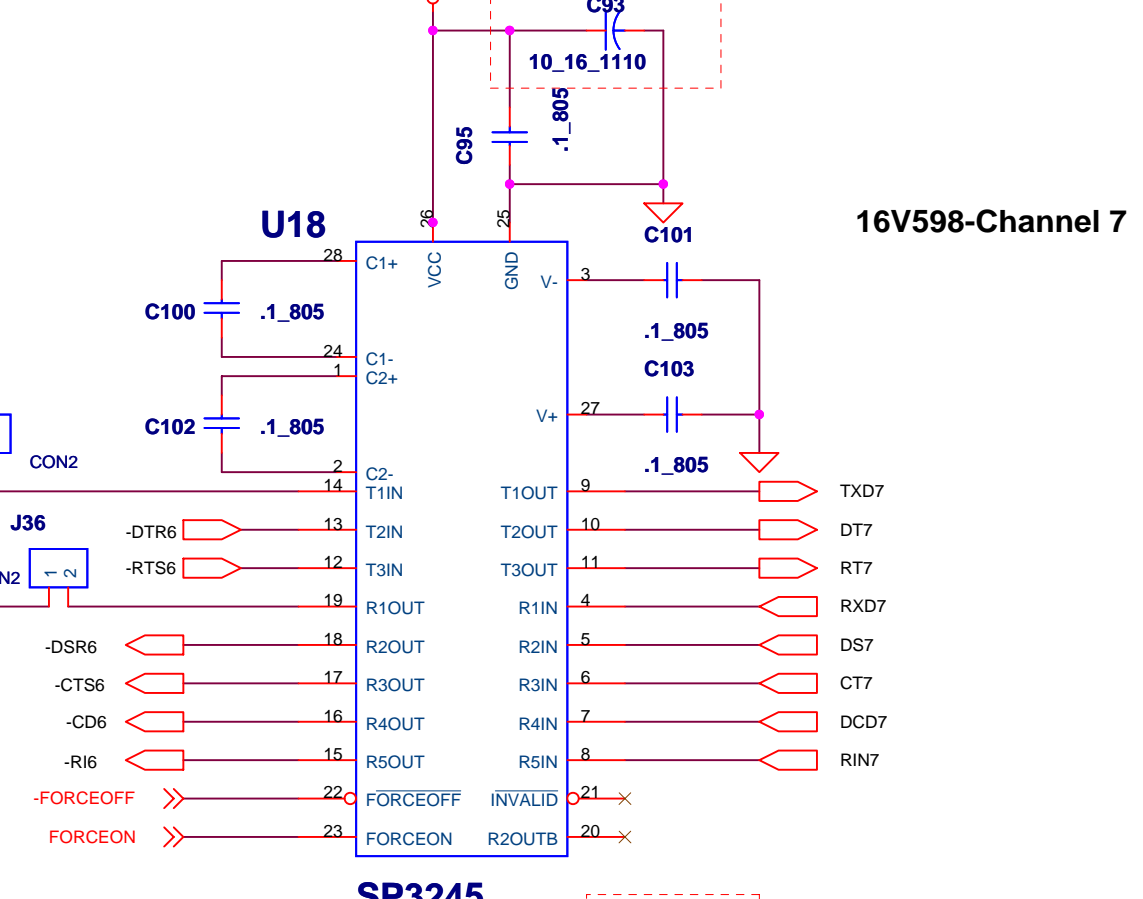
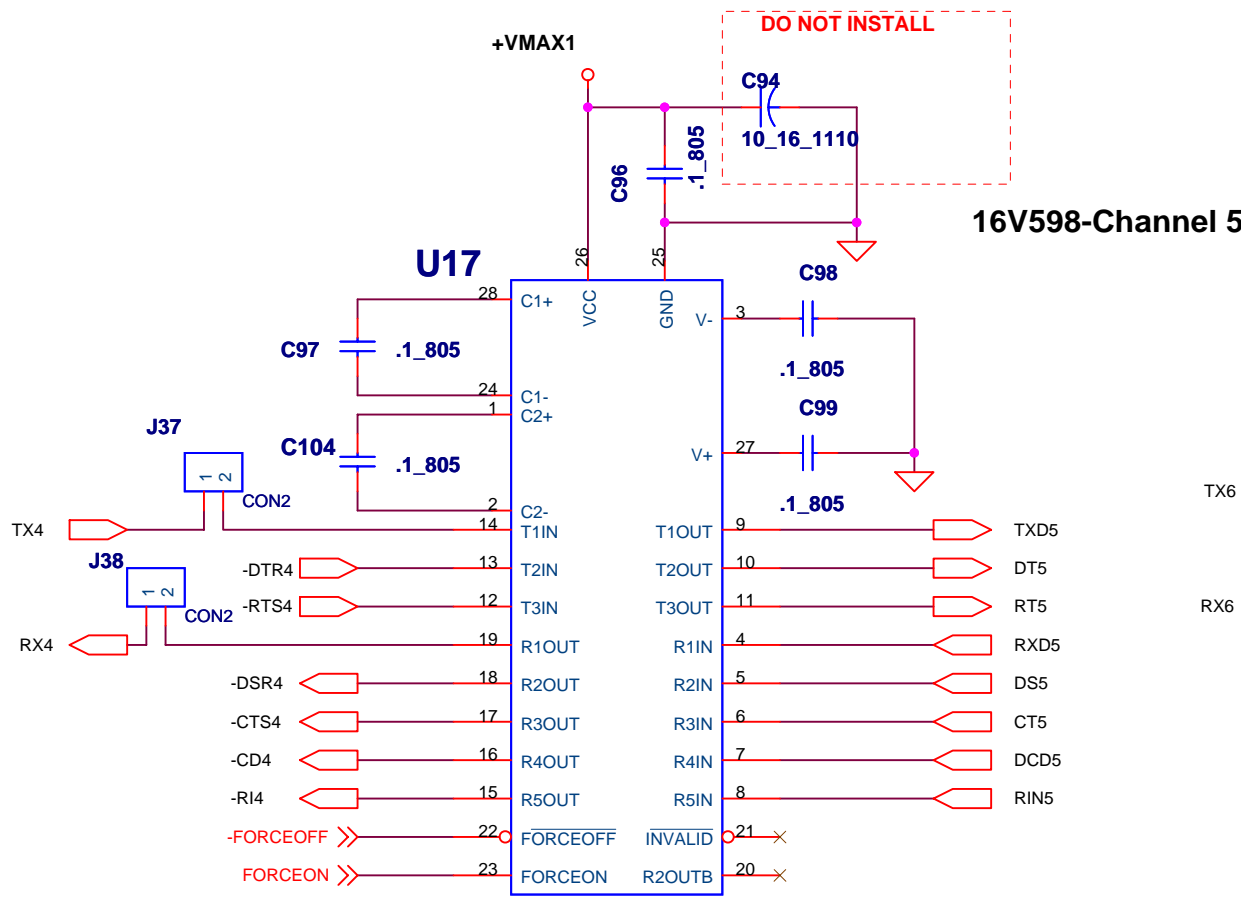
Title		
XR16V798/794 EVALUATION BOARD		
Size	Document Number	Rev
Custom	XR16V794-4 CHANNELS	1.1
Date:	Tuesday, August 14, 2007	Sheet 4 of 10

XR16V798 CHANNELS 1-4 TRANSCEIVERS



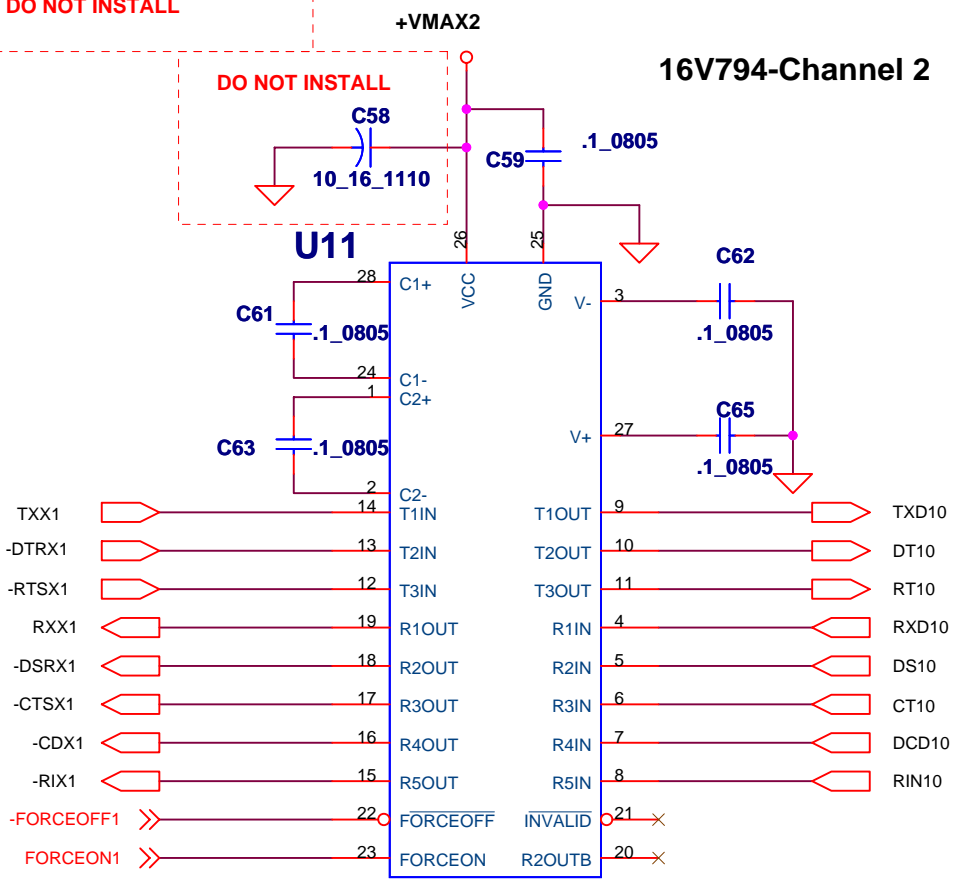
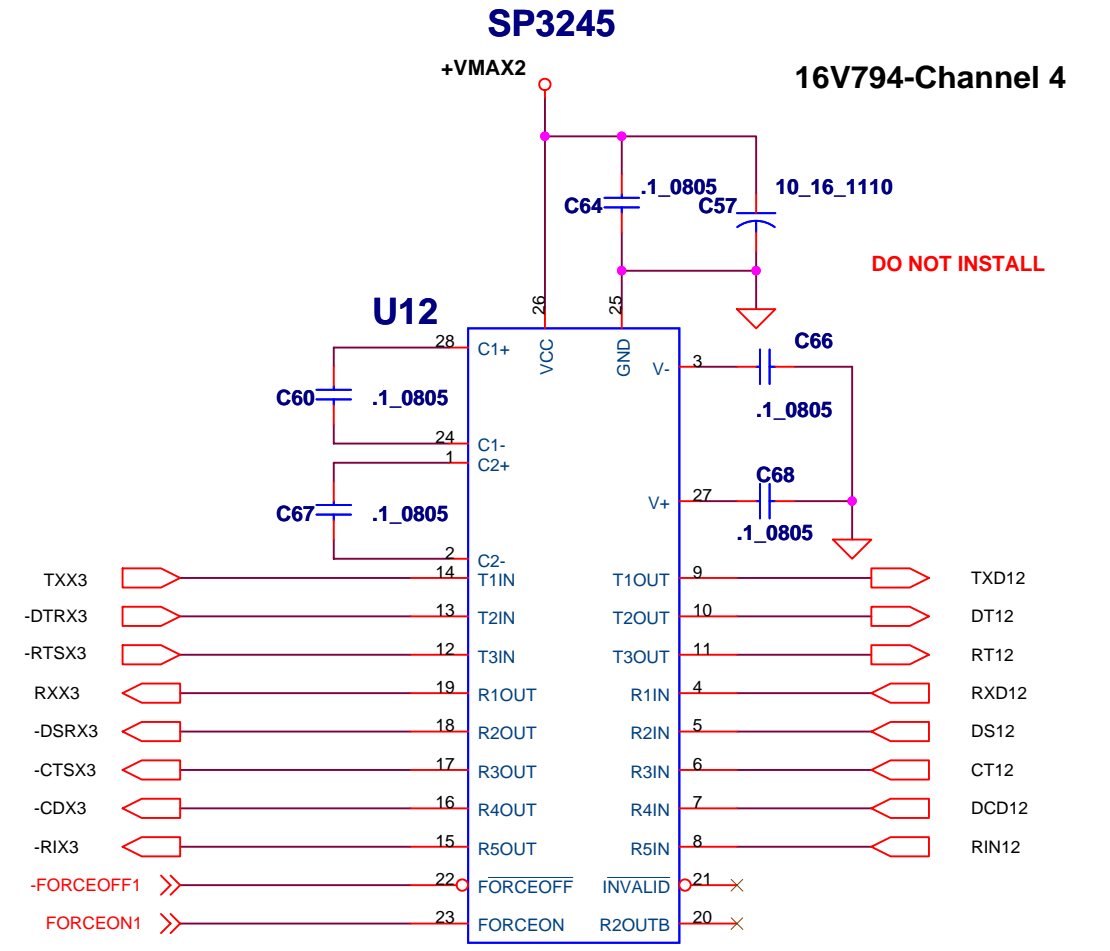
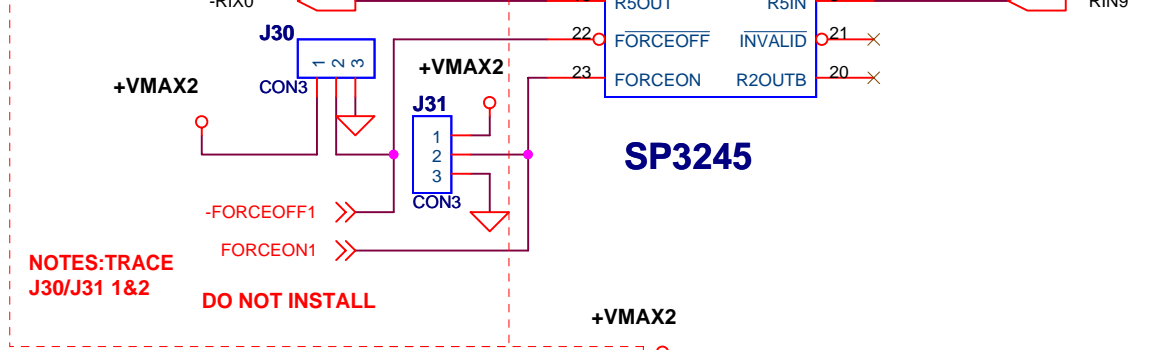
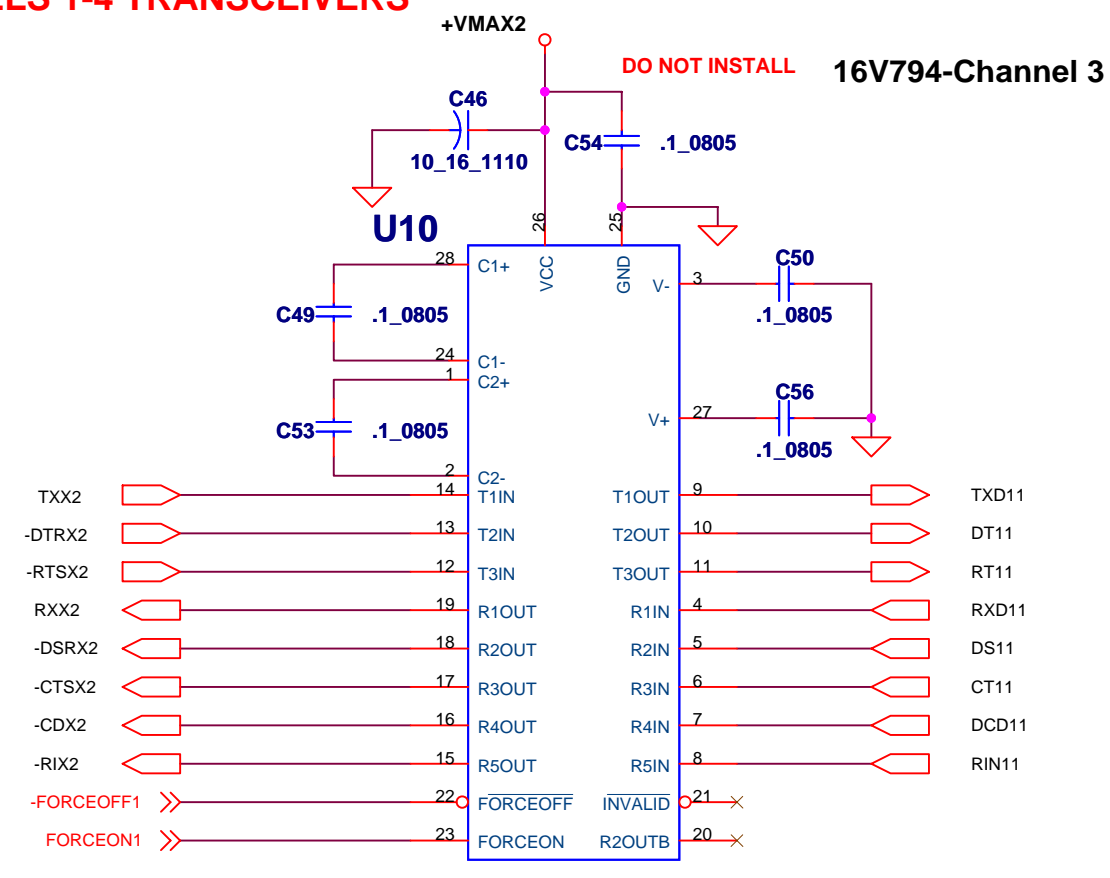
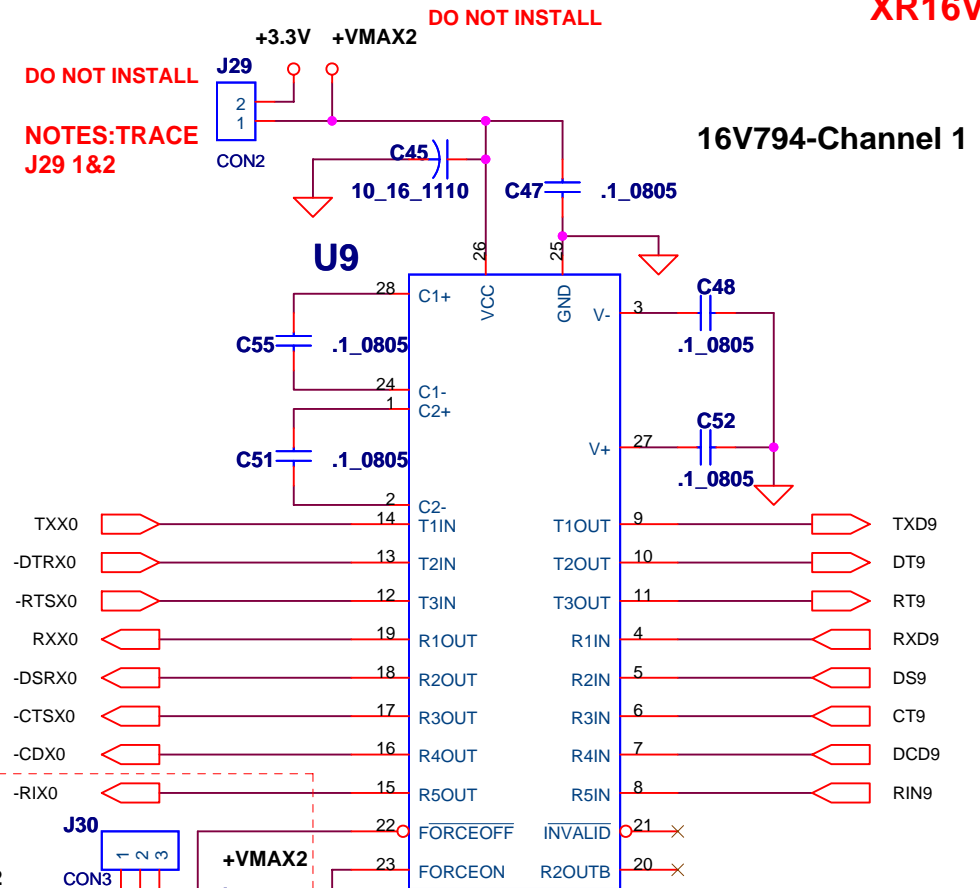
Title		
XR16V798/794 EVALUATION BOARD		
Size	Document Number	Rev
Custom	16V798 1-4 TRANSCEIVERS	1.1
Date:	Tuesday, August 14, 2007	Sheet 5 of 10

XR16V598 CHANNELS 4-8 TRANSCEIVERS +VMAX1



Title		
XR16V798/794 EVALUATION BOARD		
Size	Document Number	Rev
Custom	16V798 4-8 TRANSCEIVERS	1.1
Date:	Tuesday, August 14, 2007	Sheet 6 of 10

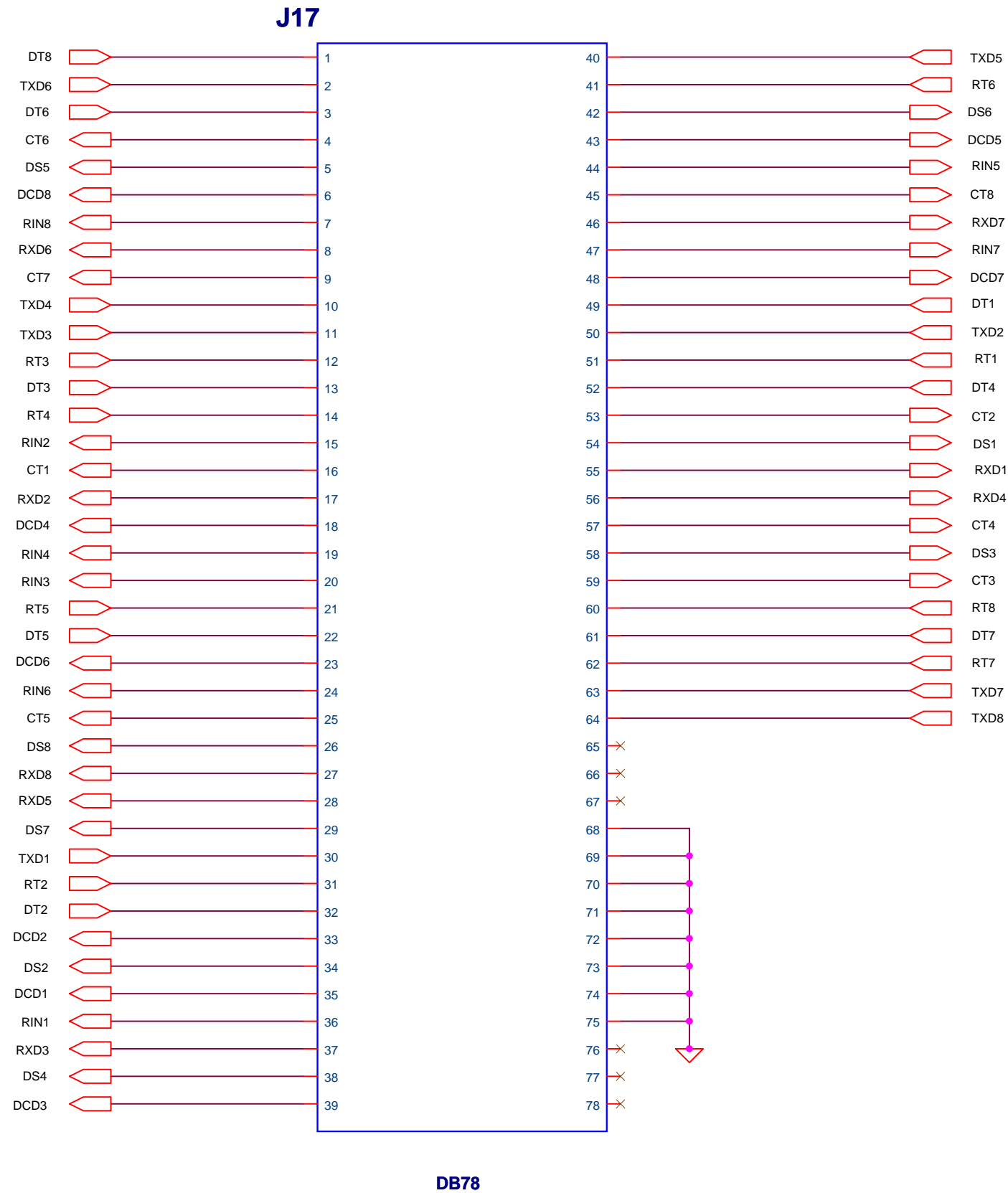
XR16V794 CHANNELS 1-4 TRANSCEIVERS



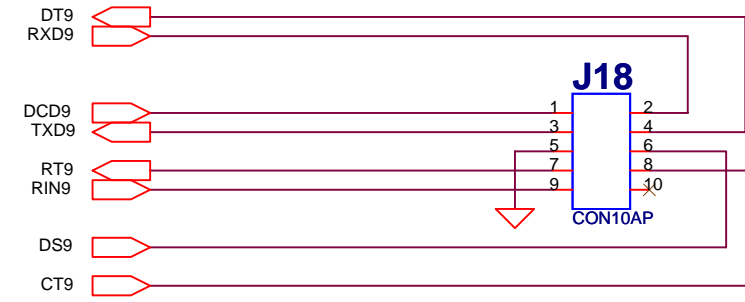
Title		
XR16V798/794 EVALUATION BOARD		
Size	Document Number	Rev
Custom	XR16V794 1-4 TRANSCEIVERS	1.1
Date:	Tuesday, August 14, 2007	Sheet 7 of 10

SP3245

PRIMARY XR16V798 CHANNEL 1-8



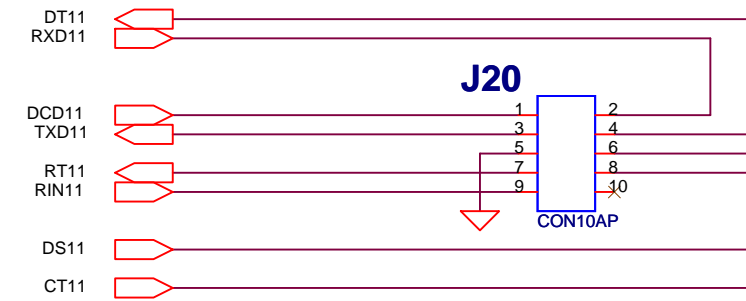
XR16V794 CHANNEL 1



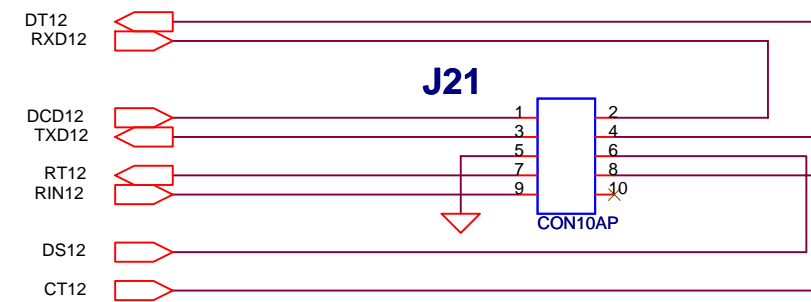
XR16V794 CHANNEL 2



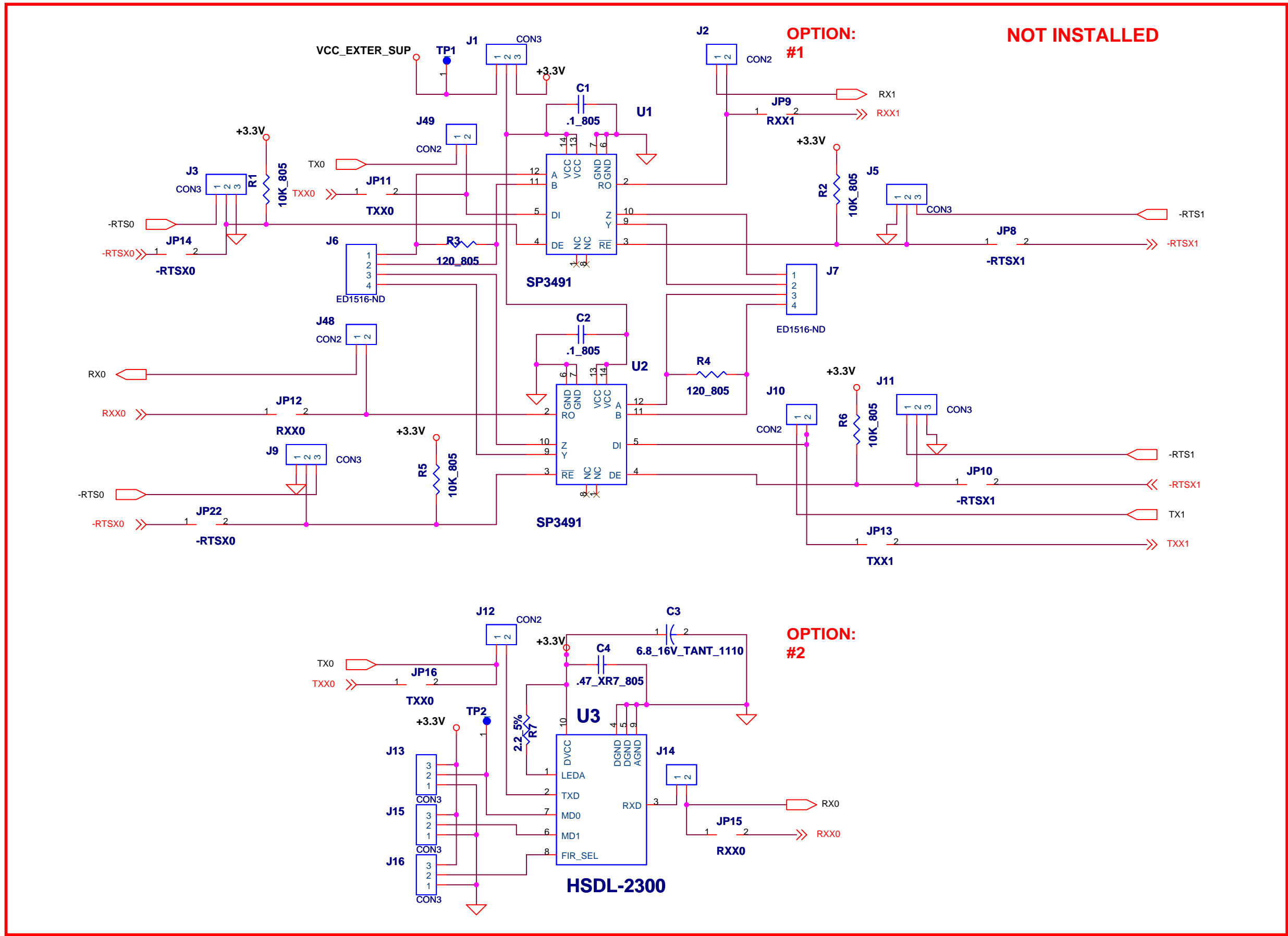
XR16V794 CHANNEL 3



XR16V794 CHANNEL 4



Title		
XR17V798/794 EVALUATION BOARD		
Size	Document Number	Rev
Custom	EIGHT & FOUR CHANNEL I/O	1.1
Date:	Tuesday, August 14, 2007	Sheet 8 of 10



Title		
XR16V798/794 EVALUATION BOARD		
Size	Document Number	Rev
Custom	RS422 IR INTERFACE	1.1
Date:	Tuesday, August 14, 2007	Sheet 9 of 10