



# GSW140

Ethernet Switch

## 6-Port Gigabit Ethernet Switch with 4 Integrated Gigabit Ethernet PHYs

GSW140 (GSW140A3MC)

GSW140 (GSW140A3LC)

## Data Sheet

Revision 1.13, 2023-11-08

Reference ID 617930

## Legal Notice

The content of this document is furnished for informational use only, is subject to change without notice, and should not be construed as a commitment by MaxLinear, Inc. MaxLinear, Inc. assumes no responsibility or liability for any errors or inaccuracies that may appear in the informational content contained in this document. Complying with all applicable copyright laws is the responsibility of the user. Without limiting the rights under copyright, no part of this document may be reproduced into, stored in, or introduced into a retrieval system, or transmitted in any form or by any means (electronic, mechanical, photocopying, recording, or otherwise), or for any purpose, without the express written permission of MaxLinear, Inc.

EXCEPT AS OTHERWISE PROVIDED EXPRESSLY IN WRITING BY MAXLINEAR, AND TO THE MAXIMUM EXTENT PERMITTED BY LAW: (A) THE MAXLINEAR PRODUCTS ARE PROVIDED ON AN "AS IS" BASIS WITHOUT REPRESENTATIONS OR WARRANTIES OF ANY KIND, INCLUDING WITHOUT LIMITATION ANY IMPLIED OR STATUTORY WARRANTIES AND ANY WARRANTIES OF MERCHANTABILITY, FITNESS FOR A PARTICULAR PURPOSE, NON-INFRINGEMENT, OR TITLE; AND (B) MAXLINEAR DOES NOT GUARANTEE THAT THE PRODUCTS WILL BE FREE OF ERRORS OR DEFECTS. MAXLINEAR PRODUCTS SHOULD NOT BE USED IN ANY EMERGENCY, SECURITY, MILITARY, LIFE-SAVING, OR OTHER CRITICAL USE CASE WHERE A FAILURE OR MALFUNCTION COULD CAUSE PERSONAL INJURY OR DEATH, OR DAMAGE TO OR LOSS OF PROPERTY. USERS ASSUME ALL RISK FOR USING THE MAXLINEAR PRODUCTS IN SUCH USE CASE. CUSTOMERS AND USERS ARE SOLELY RESPONSIBLE FOR USING THEIR OWN SKILL AND JUDGMENT TO DETERMINE WHETHER MAXLINEAR PRODUCTS ARE SUITABLE FOR THE INTENDED USE CASE.

MaxLinear, Inc. may have patents, patent applications, trademarks, copyrights, or other intellectual property rights covering subject matter in this document. Except as expressly provided in any written license agreement from MaxLinear, Inc., the furnishing of this document does not give you any license to these patents, trademarks, copyrights, or other intellectual property.

MaxLinear, the MaxLinear logo, any other MaxLinear trademarks (including but not limited to MxL, Full-Spectrum Capture, FSC, AirPHY, Puma, AnyWAN, VectorBoost, MXL WARE, and Panther), and the MaxLinear logo on the products sold are all property of MaxLinear, Inc. or one of MaxLinear's subsidiaries in the U.S.A. and other countries. All rights reserved.

All third-party products, company names and logos are trademarks™ or registered® trademarks and remain the property of their respective holders/owners. Use of such marks does not imply any affiliation with, sponsorship or endorsement by the owners/holders of such trademarks. All references by MaxLinear to third party trademarks are intended to constitute nominative fair use under applicable trademark laws.

The URLs provided are for informational purposes only; they do not constitute an endorsement or an approval by MaxLinear of any of the products or services of the corporation or organization or individual. MaxLinear bears no responsibility for the accuracy, legality or content of the external site or for that of subsequent links. Contact the external site for answers to questions regarding its content.

© 2023 MaxLinear, Inc. All rights reserved.

MaxLinear, Inc.  
5966 La Place Court, Suite 100  
Carlsbad, CA 92008  
Tel.: +1 (760) 692-0711  
Fax: +1 (760) 444-8598  
www.maxlinear.com

## Revision History

<b>Current:</b>	<b>Revision 1.13, 2023-11-08</b>
<b>Previous:</b>	<b>Revision 1.12, 2023-01-19</b>
Page	Major changes since previous revision
25	Updated the description of pin <b>B1</b> (RCAL) in <a href="#">Table 3 Ethernet Media Interface Signals</a> .
26	Updated the description of pin <b>B17</b> (RESREF) in <a href="#">Table 4 SGMII Interface Signals</a> .
28	Added <b>LED40</b> to pin <b>A12</b> in <a href="#">Table 6 LED Interface Signals</a> .
28	Added <b>LED41</b> to pin <b>B12</b> in <a href="#">Table 6 LED Interface Signals</a> .
35	Added <a href="#">Section 3.2.2 Slave Management Interface Mode Pin Multiplexing</a> .
39	Added <a href="#">Master MDIO Access to External PHYs</a> to <a href="#">Section 3.2.3 MDIO Master Module</a> .
45	Added a sentence to <a href="#">Wait For External Master Procedure (PS_NOWAIT = 0<sub>B</sub>)</a> in <a href="#">Section 3.2.8 Boot Loader Description</a> .
54	Updated the description of <a href="#">Pin Strapping</a> in <a href="#">Section 3.2.8 Boot Loader Description</a> .
55	Added a note to the description of <b>PS_XTAL</b> in <a href="#">Table 24 Pin Strapping Description</a> .
62	Replaced F25G with GSW Family in <a href="#">Figure 16 Light Sensing System</a> .
64	Added <a href="#">Section 3.4.1 GPIO Alternate Function</a> .
69	Updated the center tap capacitors description in <a href="#">Section 3.5.2.1 Twisted-Pair Interface</a> .
70	Added capacitors to <a href="#">Figure 18 Twisted-Pair Interface of GPHY IP Including Transformer and RJ45 Plug</a> .
74	Updated the interface mode details in <a href="#">Section 3.6.1 Features</a> .
146	Updated the MIIMODE description in the <a href="#">xMII Interface 5 Configuration Register</a> .
165	Updated the register in the introduction to the <a href="#">PHY Address Register PORT 0</a> .
169	Updated the register in the introduction to the <a href="#">PHY Address Register PORT 1</a> .
171	Updated the register in the introduction to the <a href="#">PHY Address Register PORT 2</a> .
173	Updated the register in the introduction to the <a href="#">PHY Address Register PORT 3</a> .
175	Updated the introduction to the <a href="#">PHY Address Register PORT 4</a> .
176	Updated the register mentioned in the introduction to the <a href="#">PHY Address Register PORT 5</a> .
192	Replaced 250M/baud with 337.5M/baud within the Baud Rate Divider description in the <a href="#">UART Baud Rate Register</a> .
193	Replaced 250M/baud with 337.5M/baud within the Baud Rate Fractional Divider description in the <a href="#">UART Baud Rate Fractional Divider Register</a> .
231	Updated the LEDs descriptions in <a href="#">Section 4.1.12 LED Registers</a> .
244	Updated the Loopback Mode of TBI description in the <a href="#">SGMII TBI Control Bits</a> register.
250	Updated the SGMII Data Rate description in the <a href="#">SGMII Link Partner Status</a> register.
330	Updated the Pulsing Configuration description in the <a href="#">Configuration for LED Pin 0</a> register.
351	Updated the note in <a href="#">Section 5.5.11 Transformers (Magnetics)</a> .
357	Removed the chip marking information in <a href="#">Section 6.3 Ordering Information</a> .
357	Updated <a href="#">Table 94 Product Naming</a> to replace: <ul style="list-style-type: none"> <li>• Product Name with Marketing Part Number</li> <li>• Ordering Code with Ordering Part Number</li> </ul>

## Third-Party Trademark and Registered Trademark Declarations

ANSI®	ANSI, the ANSI logo, and numerous other identifiers containing ANSI are registered trademarks, service marks, and accreditation marks of the American National Standards Institute (ANSI).
Cisco®	Cisco is a registered trademark or trademark of Cisco Systems, Inc. and/or its affiliates in the United States and certain other countries. A list of other Cisco marks is available at <a href="https://www.cisco.com/c/en/us/about/legal/trademarks.html">https://www.cisco.com/c/en/us/about/legal/trademarks.html</a> .
IEEE®	IEEE, the IEEE logo, and other IEEE logos and titles are registered trademarks or service marks of The Institute of Electrical and Electronics Engineers, Incorporated.
Intel®	Intel and the Intel logo are trademarks of Intel Corporation or its subsidiaries.
JEDEC®	JEDEC is a registered trademark of the JEDEC Solid State Technology Association.
Mac®	Mac is a registered trademark of Apple Inc., registered in the U.S. and other countries and regions.
MoCA®	MoCA is a registered trademarks of Multimedia over Coax Alliance in the United States and other countries.
UNIX®	UNIX is a registered trademark of The Open Group in the United States and other countries.
Wi-Fi®	Wi-Fi®, the Wi-Fi logo, and Wi-Fi Alliance® are registered trademarks of Wi-Fi Alliance®.
Windows®	Windows is a registered trademark of Microsoft Corporation in the United States and/or other countries.

All other trademarks or registered trademarks are the property of their respective holders/owners.

## Table of Contents

	<b>Table of Contents</b> .....	5
	<b>List of Figures</b> .....	9
	<b>List of Tables</b> .....	11
<b>1</b>	<b>Product Overview</b> .....	13
1.1	Features .....	14
1.2	Applications .....	18
1.3	Block Diagram .....	20
<b>2</b>	<b>External Signals</b> .....	21
2.1	Logic Symbol .....	21
2.2	External Signal Description .....	22
2.2.1	Pin Diagram .....	22
2.2.2	Abbreviations .....	23
2.2.3	Input/Output Signals .....	24
2.2.3.1	Ethernet Media Interface .....	24
2.2.3.2	SGMII Interface .....	26
2.2.3.3	Ethernet Media Independent Interface .....	26
2.2.3.4	LED/UART/JTAG Interface .....	27
2.2.3.5	Management Interfaces .....	30
2.2.3.6	Miscellaneous Signals .....	32
2.2.3.7	Power Supply .....	33
<b>3</b>	<b>Functional Description</b> .....	34
3.1	Clock and Reset .....	34
3.1.1	Clock Generation Unit .....	34
3.1.2	General Purpose Clock Output .....	34
3.1.3	Reset Generation Unit .....	34
3.1.4	Power Up Sequence .....	34
3.2	Management Interface Functional Description .....	35
3.2.1	Management Interface Subsystem Features .....	35
3.2.2	Slave Management Interface Mode Pin Multiplexing .....	35
3.2.3	MDIO Master Module .....	36
3.2.4	MDIO Slave Module .....	40
3.2.5	SPI Master Module .....	42
3.2.6	SPI Slave Access .....	43
3.2.7	UART Access .....	44
3.2.8	Boot Loader Description .....	45
3.2.9	Packet Insertion and Extraction .....	57
3.3	LED Controller Function Description .....	58
3.3.1	LED .....	58
3.3.2	LED Display .....	58
3.3.3	LED Brightness Control .....	60
3.4	General Purpose Input Output Function Description .....	62
3.4.1	GPIO Alternate Function .....	64
3.5	Gigabit Ethernet PHY Functional Description .....	69
3.5.1	Features .....	69
3.5.2	Functional Description .....	69
3.5.2.1	Twisted-Pair Interface .....	69
3.5.2.2	Auto-Negotiation (ANEG) .....	70

3.5.2.3	Auto-Downspeed	70
3.5.2.4	Auto-Crossover and Polarity-Reversal Correction	71
3.5.2.5	Transformerless Ethernet (TLE)	71
3.5.2.6	Configuration and Control via MDIO	72
3.5.2.7	Power Management	72
3.5.2.7.1	Power Down Modes	72
3.5.2.7.2	Sleep Mode	72
3.5.2.7.3	Scan Mode	72
3.5.2.7.4	Ping Mode	72
3.5.2.7.5	Normal Mode	73
3.5.2.7.6	Low-Power Idle Mode: Energy-Efficient Ethernet	73
3.6	Reduced Media-Independent Interface	74
3.6.1	Features	74
3.6.2	Functional Description	74
3.6.3	RMII Configuration	74
3.7	SGMII Interface Function Description	75
3.7.1	Features	75
3.7.2	Functional Description	75
3.7.2.1	Typical Applications	75
3.7.2.1.1	Interface to an External MAC	75
3.7.2.1.2	Interface to an External 1000BASE-T Ethernet PHY	76
3.7.2.1.3	Interface to an External 1000BASE-X Ethernet PHY	76
3.7.2.2	Modes of Operation	77
3.7.2.3	Test Features, Status and Enabling	78
3.7.2.3.1	PMA/PMD Loops	78
3.7.2.3.2	PCS Loops	78
3.8	Switch Fabric Functional Description	79
3.8.1	Overview	79
3.8.2	Ethernet Bridging	80
3.8.2.1	Parsing	80
3.8.2.2	MAC Bridging Table	80
3.8.2.3	MAC Based Forwarding	81
3.8.2.4	Dynamic Source MAC Address Learning and Aging	81
3.8.2.5	Layer 2 Security	83
3.8.2.6	Spanning Tree Protocol Support	85
3.8.2.7	Reserved MAC Addresses	85
3.8.2.8	Flow Control Function	86
3.8.2.9	Port Trunking Functions	86
3.8.2.10	Gigabit Media Access Control (GMAC) Functions	87
3.8.3	VLAN Functions	89
3.8.3.1	VLAN Association	89
3.8.3.2	VLAN QinQ	89
3.8.3.3	Supported Frame Format	90
3.8.3.4	Double VLAN Tag Function	90
3.8.3.5	Filtering Identifier Assignment	90
3.8.3.6	VLAN Filtering	91
3.8.3.7	VLAN Tagging and Untagging	92
3.8.3.8	Transparent VLAN Mode	92
3.8.3.9	VLAN Security Mode	93
3.8.3.10	Reserved VLAN Groups	93
3.8.3.11	VLAN Translation	94

3.8.3.12	VLAN Priority Code Point .....	94
3.8.3.13	Port Based VLAN Examples .....	95
3.8.3.14	Single Tag Based VLAN Examples .....	95
3.8.3.15	Double Tag Based VLAN Examples .....	96
3.8.4	Multicast Forwarding Functions .....	98
3.8.4.1	Layer-2 Multicast Forwarding .....	99
3.8.4.2	Layer-3 Multicast Forwarding .....	99
3.8.4.3	IGMP and MLD Snooping .....	99
3.8.5	Quality of Service Functions .....	103
3.8.5.1	Class of Service Assignment .....	103
3.8.5.2	Remarking Function .....	105
3.8.5.3	Queue Mapping .....	111
3.8.5.4	Rate Metering .....	111
3.8.5.5	Rate Shaping .....	113
3.8.5.6	Queue Scheduling .....	114
3.8.5.7	Congestion Management .....	114
3.8.5.8	Ingress Port Congestion Based Flow Control .....	115
3.8.5.9	Overview of the Resource Protection Mechanism .....	116
3.8.5.10	Storm Control .....	118
3.8.6	Flow Classification Function .....	119
3.8.7	Operation, Administration, and Management Functions .....	122
3.8.7.1	Monitoring Counters .....	122
3.8.7.2	Port Mirroring .....	126
3.8.7.3	Wake-on-LAN Functionality .....	127
3.8.7.4	Time Stamp Functionality .....	128
3.8.7.5	Special Tag Functionality .....	129
<b>4</b>	<b>Registers .....</b>	<b>134</b>
4.1	Top Level PDI Registers .....	134
4.1.1	GPHY Shell Registers .....	139
4.1.2	R(G)MII Registers .....	146
4.1.3	MDIO Master Registers .....	158
4.1.4	MDIO Slave Registers .....	179
4.1.5	SPI Master Registers .....	181
4.1.6	SPI Slave Registers .....	190
4.1.7	UART Registers .....	191
4.1.8	Clock Generation Unit Registers .....	195
4.1.9	Reset Control Unit Registers .....	209
4.1.10	GPIO Registers .....	219
4.1.11	ICU Registers .....	227
4.1.12	LED Registers .....	231
4.2	SGMII_Registers .....	235
4.2.1	SGMII_TBI: TBI Submodule Register File .....	238
4.2.2	SGMII_PCS: SGMII PCS Register File .....	255
4.2.3	SGMII_PHY: SGMII_PHY Registers .....	262
4.2.4	SGMII_MACRO_REGISTERS: SGMII_MACRO Registers .....	277
4.3	PHY MDIO Registers .....	280
4.3.1	STD: Standard Management Registers .....	282
4.3.2	PHY: PHY-Specific Management Registers .....	300
4.4	PHY MMD Registers .....	318
4.4.1	PMAPMD: Standard PMAPMD Registers for MMD=0x01 .....	320
4.4.2	EEE: Standard EEE Registers for MMD=0x03 .....	321

4.4.3	ANEG: Standard Auto-Negotiation Registers for MMD=0x07	324
4.4.4	INTERNAL: Internal Address Space (MMD=0x1F)	326
<b>5</b>	<b>Electrical Characteristics</b>	<b>337</b>
5.1	Absolute Maximum Ratings	337
5.2	Operating Range	338
5.3	Power Consumption	339
5.4	DC Characteristics	340
5.4.1	Digital Interfaces	340
5.4.1.1	GPIO Interfaces	340
5.4.1.2	RGMII Transmit Interface	340
5.4.1.3	RGMII Receive Interface	341
5.5	AC Characteristics	342
5.5.1	Reset	342
5.5.2	Power Supply	343
5.5.3	Input Clock	343
5.5.4	Output Clock	343
5.5.5	MDIO Interface	344
5.5.6	SMDIO Interface	345
5.5.7	RMII Interface Timing Characteristics	346
5.5.8	RGMII Interface Timing Characteristics	347
5.5.8.1	RGMII Interface	347
5.5.8.2	SGMII Interface	348
5.5.8.2.1	Transmit Timing Characteristics	348
5.5.8.2.2	Receive Timing Characteristics	349
5.5.9	Test Interface	350
5.5.10	Crystal Specification	351
5.5.11	Transformers (Magnetics)	351
<b>6</b>	<b>Package Outline</b>	<b>353</b>
6.1	PG-MRQFN-105 Package	353
6.2	LGA-105 Package	355
6.3	Ordering Information	357
	<b>Literature References</b>	<b>358</b>
	<b>Standards References</b>	<b>358</b>



## List of Figures

Figure 1	Standalone Desktop Switch with an Optional Brightness Sensor . . . . .	18
Figure 2	Standalone Desktop Switch with an Optional Brightness Control Switch . . . . .	19
Figure 3	Home Gateway . . . . .	19
Figure 4	Block Diagram . . . . .	20
Figure 5	GSW140 Logic Symbol . . . . .	21
Figure 6	Pin Layout . . . . .	22
Figure 7	Auto-polling FSM - Port Loop . . . . .	37
Figure 8	Auto Polling FSM - Main Loop . . . . .	38
Figure 9	MDIO Proxy in Switching Mode . . . . .	40
Figure 10	SPI Slave Access . . . . .	43
Figure 11	LED Display Mode . . . . .	58
Figure 12	Pin Strapping on Dual Color LED . . . . .	59
Figure 13	Pin Strapping on Single Color LED . . . . .	59
Figure 14	LED Brightness Control By Controlling LED Output Enable/Disable . . . . .	60
Figure 15	Direct 2 Level LED Control Enable on System Board (with Pull-Up) . . . . .	61
Figure 16	Light Sensing System . . . . .	62
Figure 17	General Port Structure . . . . .	63
Figure 18	Twisted-Pair Interface of GPHY IP Including Transformer and RJ45 Plug . . . . .	70
Figure 19	External Circuitry for the Transformerless Ethernet Application . . . . .	71
Figure 20	State Diagram for Power-Down Mode Management . . . . .	72
Figure 21	EEE Low-Power Idle Sequence . . . . .	73
Figure 22	Interface to an External MAC . . . . .	76
Figure 23	Interface to an External 1000BASE-T Copper Gigabit Ethernet PHY . . . . .	76
Figure 24	Interface to an External 1000BASE-X Ethernet PHY . . . . .	77
Figure 25	Test Loops in the GSW140 . . . . .	78
Figure 26	Packet Flow Diagram . . . . .	79
Figure 27	MAC Bridge Table Entry Formats . . . . .	81
Figure 28	Port Trunking Function . . . . .	86
Figure 29	Supported Frame Formats when STAG is enabled . . . . .	90
Figure 30	Supported Frame Formats when STAG is disabled . . . . .	90
Figure 31	Port-based VLAN Example . . . . .	95
Figure 32	Tag-based VLAN Example . . . . .	96
Figure 33	Double Tag and Port based VLAN Example . . . . .	97
Figure 34	Traffic Class Assignment . . . . .	104
Figure 35	PCP/DSCP /DEI Remarking . . . . .	105
Figure 36	DSCP Remarking Flow Diagram . . . . .	106
Figure 37	Drop Precedence Remarking Flow Diagram . . . . .	107
Figure 38	STAG PCP Remarking Flow Diagram . . . . .	108
Figure 39	STAG DEI Remarking Flow Diagram . . . . .	109
Figure 40	CTAG PCP Remarking Flow Diagram . . . . .	110
Figure 41	Metering Algorithm . . . . .	112
Figure 42	Drop Precedence Thresholds . . . . .	115
Figure 43	Traffic Flow Table . . . . .	119
Figure 44	Port Mirroring Examples – Ingress Monitoring . . . . .	126
Figure 45	Port Mirroring Examples – Egress Monitoring . . . . .	126
Figure 46	Typical Magic Packet Data Structure . . . . .	127
Figure 47	Magic Packet Data Structure – Password Protection . . . . .	128
Figure 48	Time Stamp Event Location in the Frame . . . . .	128
Figure 49	Special Tag Location in the Frame . . . . .	129

**List of Figures**

Figure 50	Timing Diagram for the GSW140 Reset Sequence . . . . .	342
Figure 51	Timing Diagram for the MDIO Interface . . . . .	344
Figure 52	Timing Diagram for the SMDIO Interface . . . . .	345
Figure 53	Transmit/Receive Timing Diagram of the RMII . . . . .	346
Figure 54	Timing Diagram of the RGMII . . . . .	347
Figure 55	Transmit Timing Diagram of the SGMII (Shows Alternating Data Sequence) . . . . .	348
Figure 56	Receive Timing Diagram of the SGMII (Alternating Data Input Sequence) . . . . .	349
Figure 57	Test Interface Timing . . . . .	350
Figure 58	Schematic of a Transformer with CMC on Line . . . . .	351
Figure 59	Schematic of a Transformer with CMC on PHY Side . . . . .	352
Figure 60	MRQFN 8 mm x 8 mm Package Outline . . . . .	353
Figure 61	MRQFN 8 mm x 8 mm Package Dimensions . . . . .	354
Figure 62	LGA 8 mm x 8 mm Package Outline . . . . .	355
Figure 63	LGA 8 mm x 8 mm Package Dimensions . . . . .	356

## List of Tables

Table 1	Abbreviations for Pin Type .....	23
Table 2	Abbreviations for Buffer Type .....	23
Table 3	Ethernet Media Interface Signals .....	24
Table 4	SGMII Interface Signals .....	26
Table 5	Ethernet Media Independent Interface Signals .....	26
Table 6	LED Interface Signals .....	27
Table 7	Management Interface Signals .....	30
Table 8	Miscellaneous Signals .....	32
Table 9	Power Supply Pins .....	33
Table 10	Management Mode Combinations .....	35
Table 11	Default Master MDIO Address Assignment .....	36
Table 12	Registers Configuration for Self-start Mode: Standalone Unmanaged Switch Sub-Mode .....	45
Table 13	Registers Configuration for Self-start Mode: Managed Switch Sub-Mode .....	47
Table 14	LED Status VS LED Mode .....	49
Table 15	EEPROM Type Record .....	50
Table 16	Configuration Content Record: Incremental Access Format .....	51
Table 17	Configuration Content Record: Single Access without Write Enable Format .....	51
Table 18	Configuration Content Record: Single Write Access with Write Enable Format .....	52
Table 19	Configuration Content Record: Run Self-start Mode Configuration Format .....	53
Table 20	Configuration Content Record: Wait Until True Format .....	53
Table 21	Configuration Content Record: Conditional Jump Access Format .....	53
Table 22	EEPROM Content Format .....	54
Table 23	Functional Mode Pin Strapping .....	54
Table 24	Pin Strapping Description .....	55
Table 25	SUBTYPE Mode Configuration .....	55
Table 26	GPIO Pin Multiplex Functions .....	64
Table 27	GPIO2 Pin Multiplex Functions .....	67
Table 28	Bit Rates .....	77
Table 29	MAC Learning Disable and MAC Learning Limitation Description .....	84
Table 30	Port Settings .....	96
Table 31	CTAG VLAN Membership Table .....	96
Table 32	Traffic Flow Table .....	96
Table 33	Multicast Forwarding Decision .....	98
Table 34	Multicast Host Messages .....	100
Table 35	Multicast Router Messages .....	100
Table 36	Typical IGMP/MLD Control Packets Forwarding Destination .....	101
Table 37	IGMP/MLD Messages .....	102
Table 38	Typical IGMP/MLD Messages Forwarding Destination .....	102
Table 39	Resource Protection Options .....	117
Table 40	Standard RMON Counters .....	122
Table 41	Special Tag Ingress Format .....	129
Table 42	Port Map Coding .....	130
Table 43	Traffic Class Map Coding .....	130
Table 44	Special Tag Egress External Format (with Ethertype) .....	131
Table 45	Special Tag Egress Internal Format (without Ethertype) .....	132
Table 46	Error Codes .....	133
Table 47	Registers Overview .....	134
Table 48	Register Access Types .....	138
Table 49	Similar Registers .....	139

**List of Tables**

Table 50	Similar Registers	140
Table 51	Similar Registers	141
Table 52	Similar Registers	142
Table 53	Similar Registers	143
Table 54	Similar Registers	144
Table 55	Similar Registers	145
Table 56	Similar Registers	168
Table 57	Similar Registers	178
Table 58	Similar Registers	204
Table 59	Registers Address Space	235
Table 60	Registers Overview	235
Table 61	Register Access Types	237
Table 62	Registers Address Space	280
Table 63	Registers Overview	280
Table 64	Register Access Types	281
Table 65	Registers Address Space	318
Table 66	Registers Overview	318
Table 67	Register Access Types	319
Table 68	Similar Registers	330
Table 69	Similar Registers	331
Table 70	Similar Registers	334
Table 71	Similar Registers	335
Table 72	Absolute Limit Ratings	337
Table 73	Operating Range	338
Table 74	Power Consumption	339
Table 75	DC Characteristics of the GPIO Interfaces (VDDP=3.3V)	340
Table 76	DC Characteristics of the Transmit RGMII Interface	340
Table 77	DC Characteristics of the Receive RGMII Interface	341
Table 78	AC Characteristics of the HRSTN Pin	342
Table 79	AC Characteristics of the Power Supply	343
Table 80	AC Characteristics of Input Clock on XTAL1 pin	343
Table 81	AC Characteristics of Output Clock on GPC pin	343
Table 82	Timing Characteristics of the MDIO Interface	344
Table 83	Timing Characteristics of the SMDIO Interface	345
Table 84	Timing Characteristics of the RMII at 100 Mbit/s	346
Table 85	Timing Characteristics of the RGMII	348
Table 86	Transmit Timing Characteristics of the SGMII	349
Table 87	Receive Timing Characteristics of the SGMII	349
Table 88	Test Interface Clock	350
Table 89	JTAG Timing	350
Table 90	Specification of the Crystal	351
Table 91	Electrical Characteristics for Supported Transformers (Magnetics)	352
Table 92	JEDEC Thermal Resistance PG-MRQFN-105 Package Parameters	353
Table 93	JEDEC Thermal Resistance LGA-105 Package Parameters	355
Table 94	Product Naming	357

## 1 Product Overview

MaxLinear's Ethernet Switch GSW140 is a highly integrated, low-power, non-blocking six-port Gigabit Ethernet Switch with four tri-speed Ethernet PHYs, one four-speed SGMII interface, and one tri-speed RGMII interface. GSW140 uses a very small package, 8 mm x 8 mm, to minimize PCB size. There are two package variants available. For package details, see [Package Outline](#).

Each Gigabit Ethernet (GbE) PHY supports 10BASE-Te, 100BASE-TX, and 1000BASE-T standards and is characterized by low power consumption. Support of Energy-Efficient Ethernet allows for even further reduction in idle mode power consumption. Power saving at the system level is also possible with the Wake-on-LAN feature. A low-EMI line driver with integrated termination facilitates a simplified PCB design.

The 5th port of the GSW140 supports a four-speed (10/100/1000/2500 Mbps) SGMII interface to connect to an external PHY, SFP stick, or the MAC of an external chip.

The 6th port of the GSW140 supports a tri-speed (10/100/1000 Mbps) RGMII interface to connect to an external PHY or the MAC of an external chip.

The GSW140 is configurable via pin strapping, MDIO interface, UART interface, SPI interface, or optionally by connecting an external EEPROM.

In addition, the 7th 802.3 Gigabit Ethernet MAC is integrated for packet insertion and extraction. This allows an external controller to transmit and receive Ethernet packets via the management interface.

The GSW140 supports up to three LEDs per GbE PHY. Smart LED brightness control logic is integrated for power saving. LED brightness is either adjusted by a push button or varies dynamically depending on the intensity of the light measured by an external light sensor.

The 128 KB embedded packet storage SRAM is integrated and 9 KB jumbo frames are supported. The GSW140 integrates a 4K entry VLAN table for 802.1Q port-based, tag-based, and protocol based VLAN operation. It also supports double VLAN tagging, insertion, removal, and translation. The GSW140 features 2048 MAC addresses with 4-way hashing algorithm for address searching, auto-learning, and auto-aging.

Programmable parsing and a powerful classification engine allow future-proof designs that enable various data traffic types. The GSW140 supports IPv4 and IPv6 multicast forwarding, including IGMPv1/v2/v3 and MLD v1/v2 snooping.

The GSW140 features an advanced QoS architecture which prioritizes switch traffic for different classes of applications based on multiple fields of the packet. Multiple queues per port with strict or weighted round robin scheduling and rate shaping are supported. VLAN PCP and IP DSCP can be remarked. The GSW140 also supports Precise Time Stamping indication according to IEEE 1588v2 and IEEE 802.1AS.

Several degrees of application complexity are covered, from a basic stand-alone switch and set-top boxes to complex home gateways. The GSW140 is intended for Video/Audio applications in the Digital Home such as IP-TV, ADSL2+/VDSL2/PON IAD, Gateway, Wireless Router, Cable, Storage and HomePlug AV applications.

## 1.1 Features

This section provides an overview of the basic Gigabit Ethernet Switch GSW140 functionality.

### Interfaces

- Four multiple speed Ethernet PHY interfaces, compliant with:
  - 10BASE-Te
  - 100BASE-TX
  - 1000BASE-T
  - Auto-MDIX
  - Auto-Downspeed
  - Auto-Negotiation with Next Page Support
  - Cable Diagnostics: Cable Open/Short Detection and Cable length estimation
  - Test Loops and Analog Self Test
  - Power Down Modes
  - 802.3az Energy-Efficient Ethernet
  - Support of Transformer-Less Ethernet for Backplane Applications
- One set of RGMII interface:
  - 10 Mbps, full and half duplex
  - 100 Mbps, full and half duplex
  - 1000 Mbps, full duplex
- One set of RMII interface:
  - RMII interface
    - 100 Mbps, full and half duplex
- One set of SGMII Interface:
  - Cisco Serial-GMII Specification Rev 1.8 standard compliant operation at 1.25 Gbaud/s; extensions to achieve 3.125 Gbaud/s by overclocking
  - 2.5 Gbps (one lane of XAUI conforming per 802.3, part 4, clause 47: 10 Gigabit Attachment Unit Interface (XAUI)) full duplex
  - SerDes interface includes Clock and Data Recovery (CDR)
  - Multiple power-down modes
  - Programmable TX attenuation and amplification
  - Programmable flat-band RX equalization
  - Auto-calibration of RX and TX impedances
  - Test loop feature for debugging
    - 10 Mbps, full and half duplex
    - 100 Mbps, full and half duplex
    - 1000 Mbps, full duplex
    - 2500 Mbps, full duplex
- MDIO master interface to control external devices:
  - Support auto polling of external PHY devices registers
  - Support indirect access by command to external devices registers:
    - Support programmable MDC clock up to 17 MHz
- SPI master interface connecting to a serial external E2PROM:
  - Support programmable SPI clock up to 42 MHz
  - Supports automatic switch configuration from an external E2PROM memory
  - Support write access to E2PROM by an external controller
  - Supports different E2PROM sizes from 1 kbits to 1024 kbits
- SPI Slave, MDIO slave or UART interface to allow control from an external microcontroller:
  - Maximum MDIO interface clock: 25 MHz
  - Maximum SPI interface clock: 12.5 MHz

- UART baud rate from 4800 to 921600
- JTAG boundary scan, test and debug interface
  - Share pins with LED
- PHY status indicating LEDs:
  - Directly attached
  - Up to three LEDs per internal PHY port
  - Configurable LED functions per LED (link/activity, duplex/collision, link speed etc)
  - Steady/blinking indication
  - LED brightness controlled by an external push button
  - Up to 16 level LED brightness controlled by an external light sensor
- Twenty five general purpose IO: share pins with MDIO master interface, external interrupts, general purpose clock, SPI master interface, SPI slave interface, UART interface, MDIO slave, LED, JTAG functions.

### **Clocking**

- Reference clock:
  - 25 MHz or 40 MHz
  - Crystal or direct input
- Two external clock outputs

### **Ethernet MACs**

- Seven Ethernet MACs, complying with IEEE 802.3:
  - Four rates, that is, 10 Mbps, 100 Mbps, 1000 Mbps and 2500 Mbps operation speed
  - Half-duplex operation mode for 10 Mbps and 100 Mbps
  - Full-duplex operation mode for all speed
  - One dedicated Ethernet MAC is for packet insertion and extraction by an external controller via management interface
- Auto-negotiation for speed, duplex, flow control support, LPI support and link status
- Enhanced frame size support (“Jumbo frames”, programmable limit up to 9 Kbyte)
- Flow control:
  - Pause frame transmission/reception in full duplex mode
  - Forced collisions in half-duplex mode

### **Layer-2 Switching**

- Store-and-forward architecture
- 1 Mbit on-chip segmented frame buffer
- 256 byte buffer segment size
- Up to 2048 MAC addresses:
  - Multiple-bucket HASH algorithm storage
  - Automatic learning and aging (1 s to 24 h)
  - Manual learning (static entries)
  - MAC learning limitation (configurable per port)
  - MAC port locking and spoofing detection (configurable per port)
  - MAC table freezing
- VLAN-unaware switching
- VLAN-aware switching:
  - Shared VLAN learning
  - Independent VLAN learning
  - Up to 4096 VLAN IDs
  - Port based VLAN
  - MAC based VLAN with automatic learning

- Protocol-based VLAN based on flow classification result
- Double VLAN or VLAN QinQ, addition/removal/translation of Service Tag VLAN ID and Customer Tag VLAN ID
- Double VLAN or VLAN QinQ, port filtering based on both Service Tag VLAN ID and Customer Tag VLAN ID
- Multicast
  - Up to 64 multicast groups
  - Hardware IGMP mode: hardware based Join/Leave for IGMPv1/IGMPv2 mode, report suppression support
  - Software IGMP mode: IGMPv1/v2/v3 and MLDv1/v2 Snooping
  - Unknown IP multicast data stream forwarding or discard
  - Any Source Multicast and Source Specific Multicast forwarding

### **Layer-2/3/4 Flow Classification**

- Multi-field parsing and classification, for example based on:
  - MAC source address
  - MAC destination address
  - Service Tag VLAN ID and Customer Tag VLAN ID
  - Ethertype
  - IPv4 header (DSCP, IP SA, IP DA)
  - IPv6 header (DSCP, IP SA, IP DA)
  - TCP source port/port range
  - TCP destination port/port range
  - UDP source port/port range
  - UDP destination port/port range
  - IGMP
  - MLD
  - ARP/RARP
  - ICMP
  - PPPoE, up to 16 session IDs
  - 64 ACL rules

### **Quality of Service**

- Up to 32 CoS (Class of Service) queues
- Configurable egress queue scheduling
  - Strict priority
  - Weighted fair queuing, with configurable weights
  - Combination of strict priority and weighted fair queuing
- Flexible assignment of queues to egress ports
  - Multiple queues can be assigned to a single port (as far as available from the global pool of queues)
  - Maximum 16 queues per port
- Scalable egress rate shaping
  - 32 rate shapers
  - Up to 2 rate shapers can be assigned to a single queue (as far as available from global pool of rate shapers)
- Ingress traffic policing
  - 16 traffic policers
  - Standard single-rate Three Color Marker algorithm (srTCM)
  - Color-aware/-unaware operation
  - Policer can be assigned based on ingress port, egress port and flow classification result
  - Remarking, Drop or Flow Control for non-conforming traffic
- Flexible QoS handling based on any flow classification result, for example (but not limited to)
  - Service TAG VLAN PCP (Priority Code Point)
  - Customer TAG VLAN PCP (Priority Code Point)



- IP DSCP
- Ingress port
- Source/destination IP address
- TCP/UDP port/port range
- Service Tag VLAN PCP and DEI remarking
- Customer Tag VLAN PCP remarking
- DSCP remarking
- Congestion management
  - WRED algorithm (Weighted Random Early Discard)
  - Buffer reservation
  - Ingress port congestion based flow control
  - Ingress port metering based flow control
  - Three drop precedences
  - Configurable thresholds
- AVB support
  - Supports Precise Time Stamping indication according to IEEE P802.3bf for support of IEEE 1588v2, and IEEE 802.1AS
  - Rate shaper can work either at Token Bucket Mode or Credit Based Mode

### Security

- Access Control List (ACL)
  - Use L2/L3/L4 flow classification results
  - Blacklist
  - Whitelist
- Access control actions
  - Accept
  - Discard
  - Redirect
  - Port Filtering
  - Cross-state forwarding
  - Cross-VLAN forwarding
  - QoS classification
  - VLAN Service Tag VLAN ID and Custom VLAN ID translation
- Broadcast, unknown multicast and unknown unicast storm control
- Authentication support (IEEE 802.1X Port Authentication)

### Other Features

- Spanning Tree/Rapid Spanning Tree and 16 STP instances per port
- Port trunking of any two ports
- Port mirroring
- 802.3az Energy-Efficient Ethernet
- Wake-on-LAN
  - Detection of “magic packets”
  - Check WoL password (optional)
  - Wake-up interrupt to external device
- Special Tag
  - Provides in-band packet control and status communication with an internal or external controller
- RMON counters
- Boundary Scan

**Power Supply**

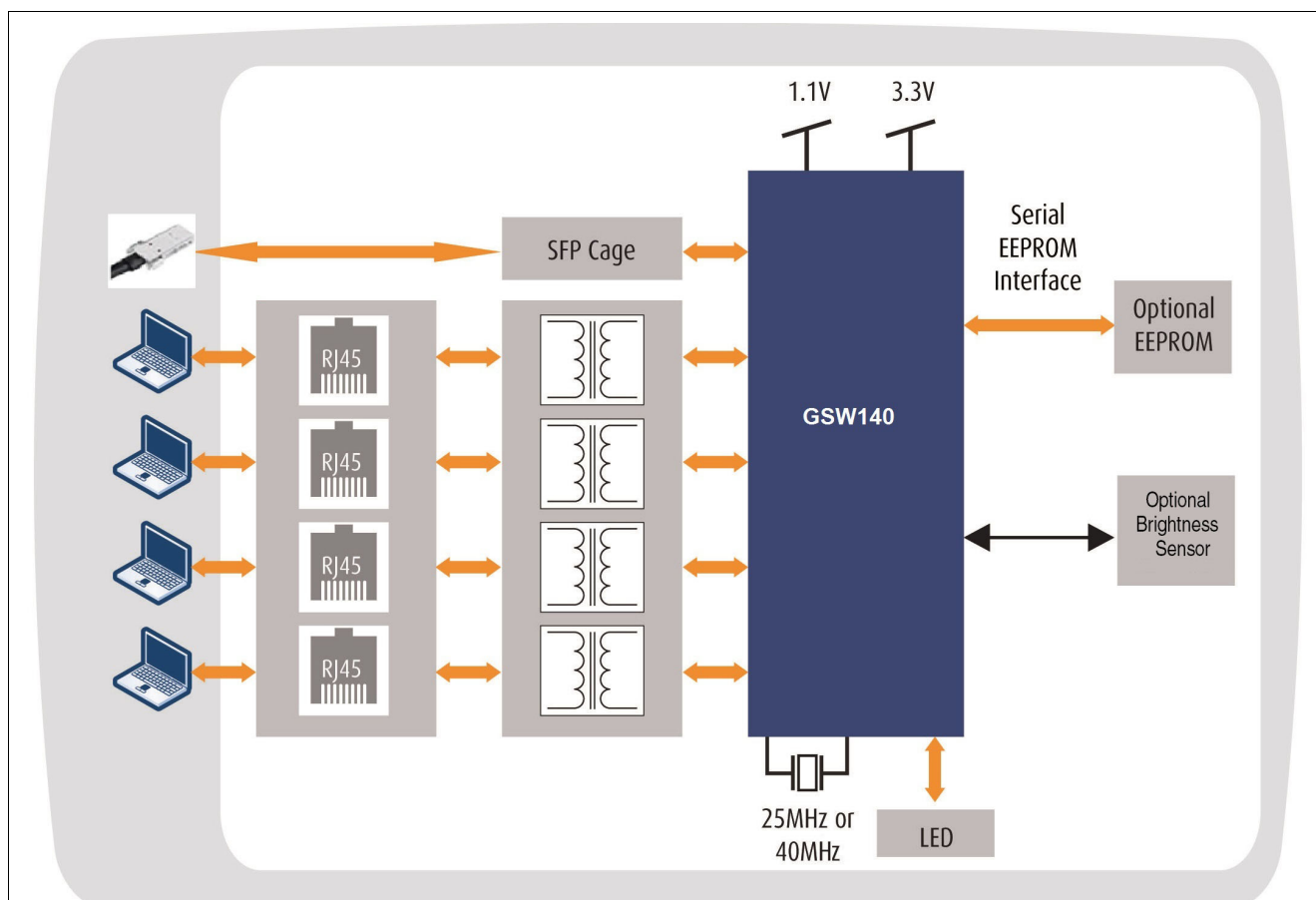
- Supply voltage domains
  - 3.3 V for digital PAD except RGMII PAD
  - 3.3 V for analog GPHY and SerDes
  - 1.1 V for digital core
  - 1.1 V for analog GPHY and SerDes
  - 3.3 V or 2.5 V for digital RGMII PAD

**1.2 Applications**

The following figures show application examples.

**Figure 1** and **Figure 2** show standalone switch applications with a SFP port. The main advantage for the SFP port is the flexibility for putting it in the network. SFP stands for "small form-factor pluggable" and is a hot-swappable input/output device that plugs into a Gigabit Ethernet port or slot, linking the port with the network. An optional external EEPROM is used for switch configuration. **Figure 1** shows an optional low cost brightness sensor integrated to allow the LED brightness to be controlled by the Gigabit Ethernet Switch to save the system power consumption. **Figure 2** shows an optional brightness on/off switch integrated to allow the LED brightness to be controlled by the switch button to save the system power consumption.

**Figure 3** shows an application of home gateway. An external SoC can manage the switch via management interface (eg. UART, SPI, or MDIO interface). The 2.5 Gbps SGMII interface allows the high throughput rate between Ethernet LAN ports and SoC. In addition, another LAN/WAN type interface can be build (for example MoCA, Wi-Fi, Ethernet, etc) and connected to the router/gateway SoC via a RGMII interface.



**Figure 1 Standalone Desktop Switch with an Optional Brightness Sensor**

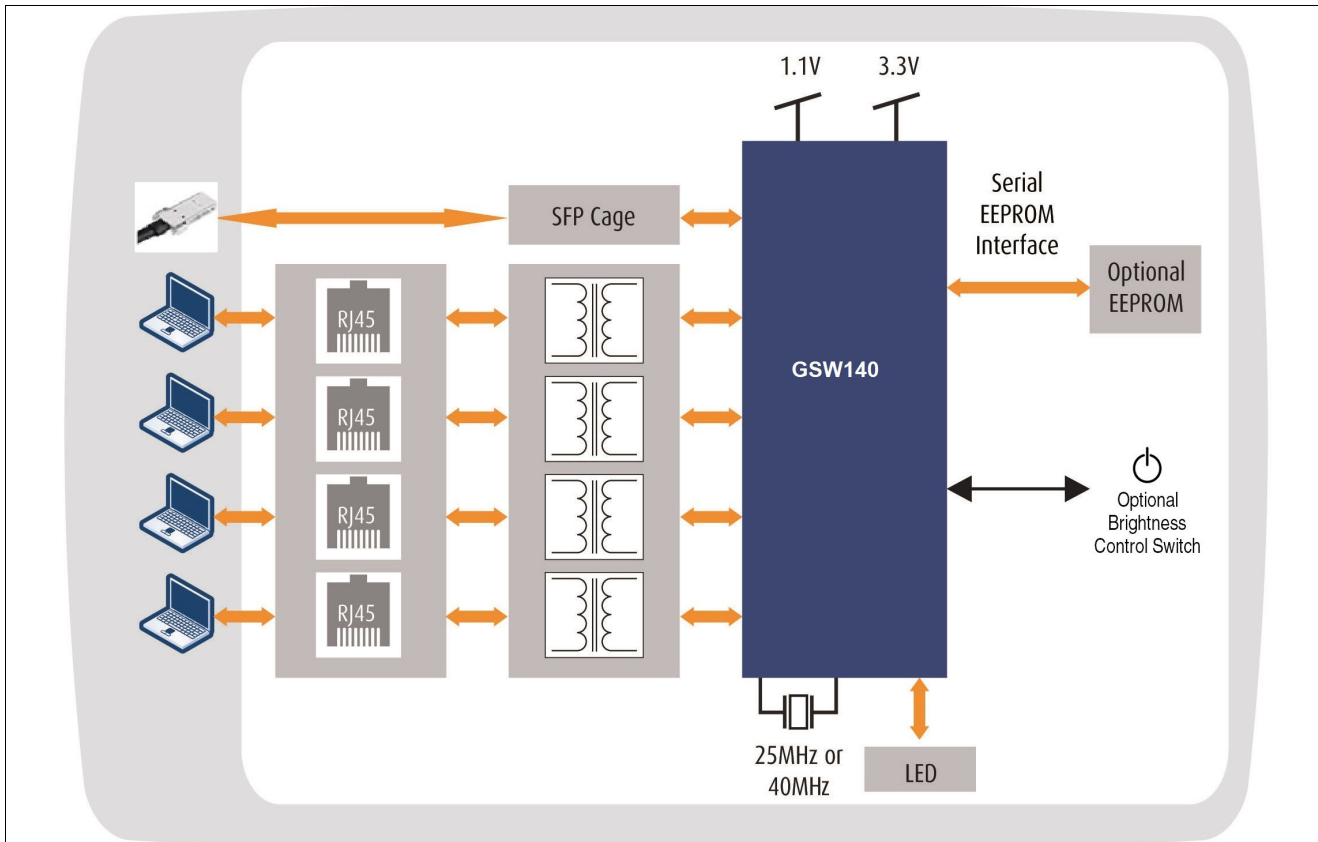


Figure 2 Standalone Desktop Switch with an Optional Brightness Control Switch

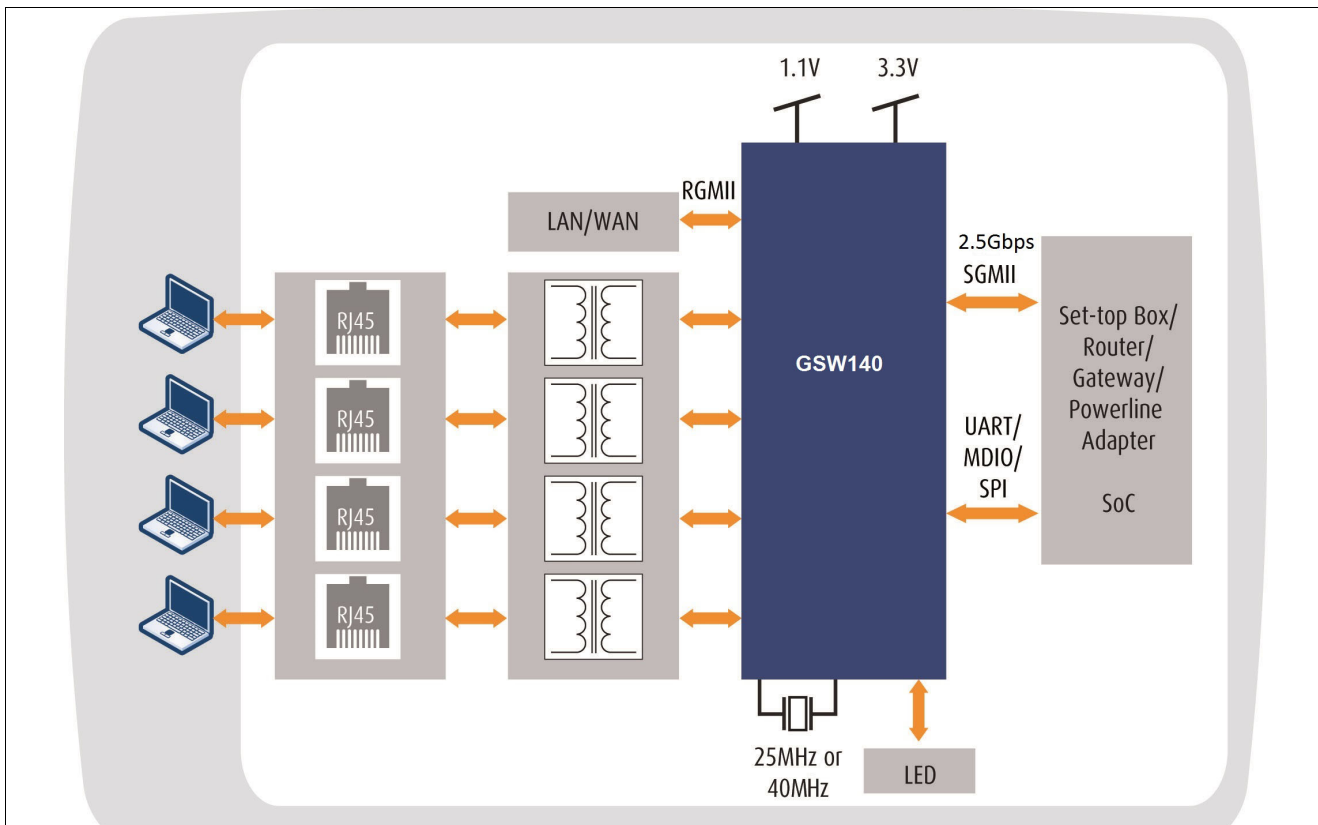


Figure 3 Home Gateway

### 1.3 Block Diagram

Figure 4 shows the block diagram.

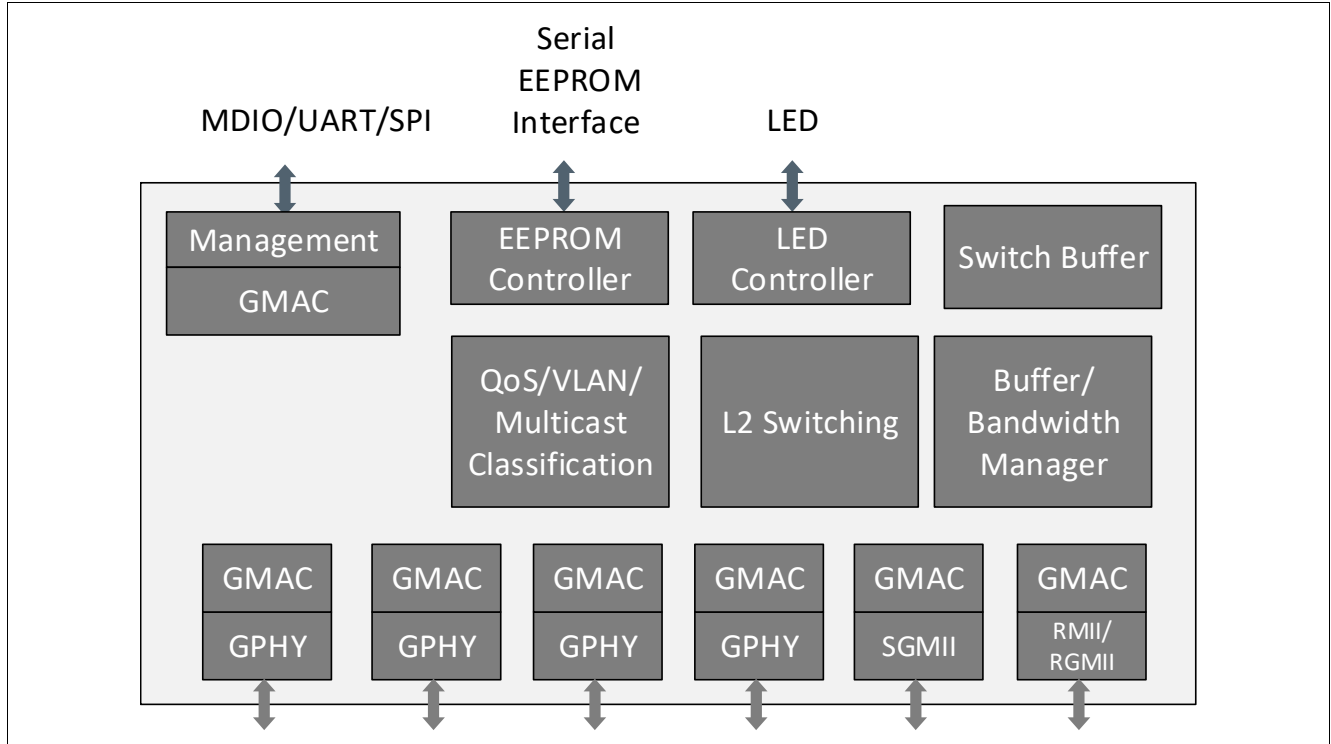


Figure 4 Block Diagram

## 2 External Signals

This chapter describes the signal mapping to the package.

### 2.1 Logic Symbol

Figure 5 gives a global overview of the device's external interfaces.

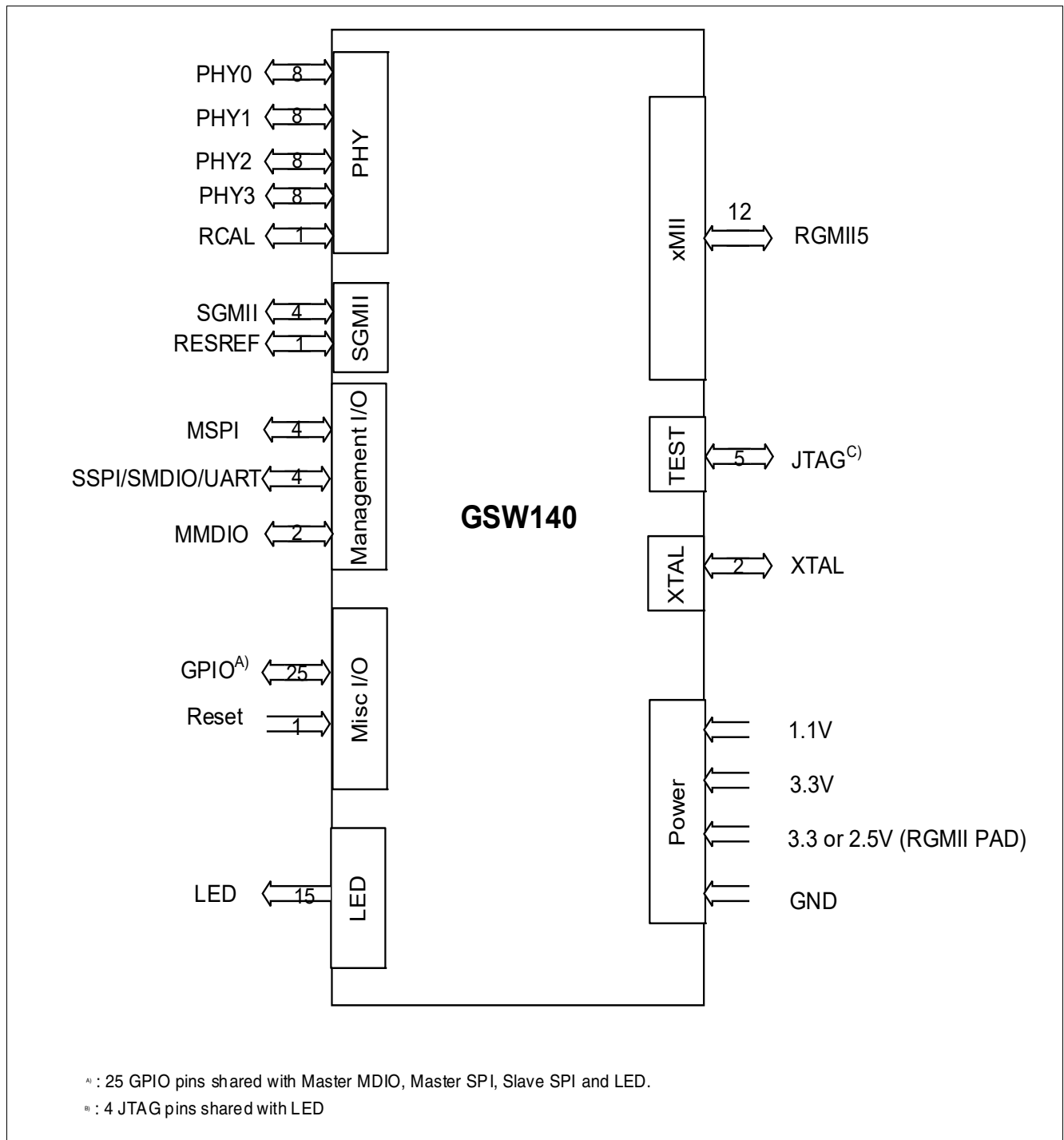


Figure 5 GSW140 Logic Symbol

## 2.2 External Signal Description

This section provides in detail the pin diagrams, abbreviations for pin types and buffer types, as well as the table of input and output signals.

### 2.2.1 Pin Diagram

Figure 6 shows the pin layout of the package.

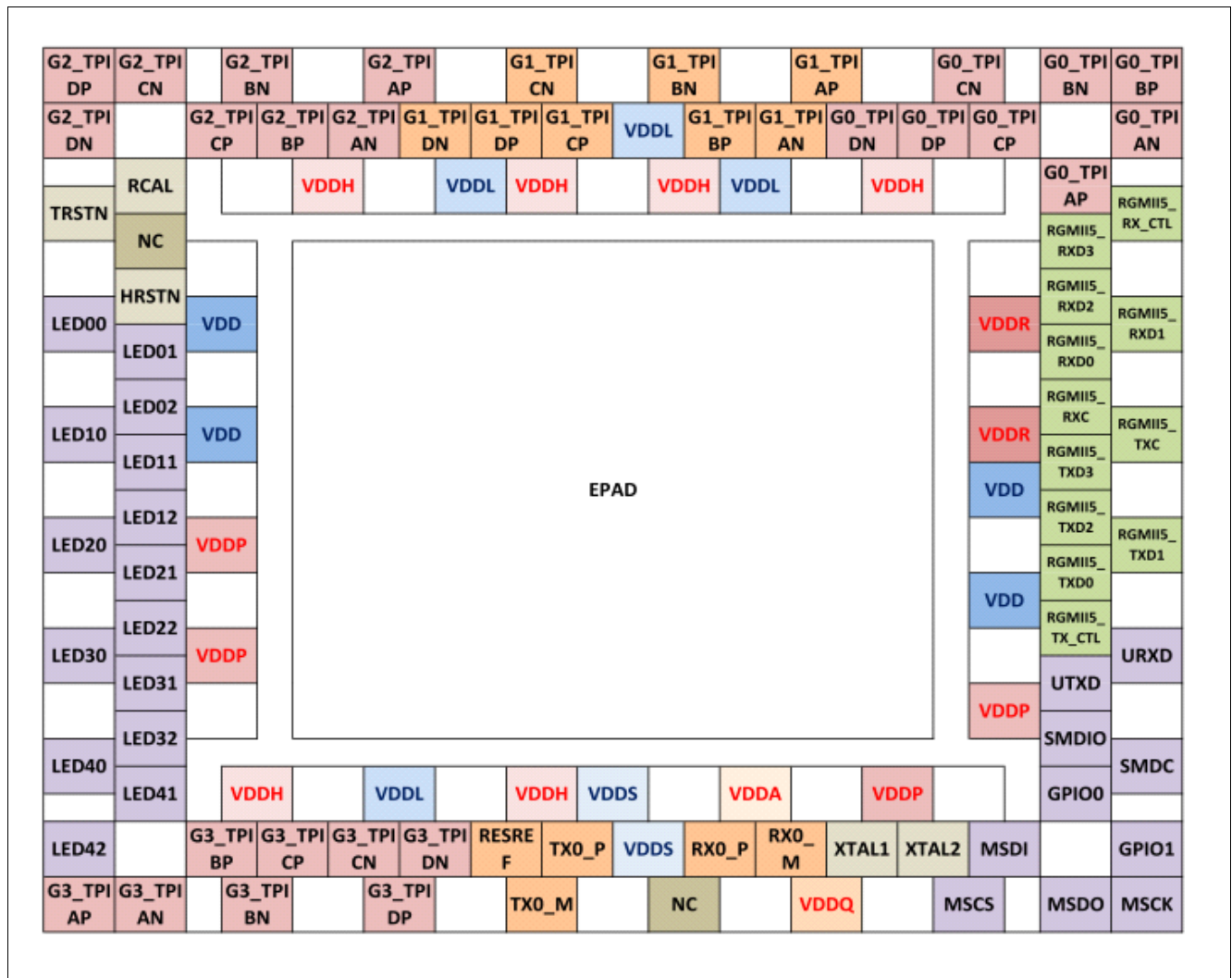


Figure 6 Pin Layout

## 2.2.2 Abbreviations

**Table 1** and **Table 2** summarize abbreviations used in the signal tables.

**Table 1 Abbreviations for Pin Type**

Abbreviations	Description
I	Input-only, digital levels
O	Output-only, digital levels
I/O	Bidirectional input/output signal, digital levels
Prg	Bidirectional pad, programmable to operate either as input or output, digital levels
AI	Input-only, analog levels
AO	Output-only, analog levels
AI/O	Bidirectional, analog levels
PWR	Power
GND	Ground

**Table 2 Abbreviations for Buffer Type**

Abbreviations	Description
LVTTTL n	LVTTTL characteristics, n = A, B, or C (driver strength)
LVTTTL n PU m	LVTTTL characteristics with weak pull-up device; n = A, B, or C (driver strength); m = A, B, or C (pull-up strength)
LVTTTL n PD m	LVTTTL characteristics with weak pull-down device; n = A, B, or C (driver strength); m = A, B, or C (pull-down strength)
LVTTTL n OD	LVTTTL characteristics with open-drain characteristic, n = A, B, or C (driver strength)
LVTTTL n PP	LVTTTL characteristics with push-pull characteristic, n = A, B, or C (driver strength)
I <sup>2</sup> C	I <sup>2</sup> C bus characteristics, open drain, see the AC/DC specification for details.
A	Analog characteristics, see the AC/DC specification for details.

## 2.2.3 Input/Output Signals

Table 3 to Table 8 show a detailed description of all pins.

### 2.2.3.1 Ethernet Media Interface

**Table 3 Ethernet Media Interface Signals**

Pin No.	Name	Pin Type	Buffer Type	Function
<b>Ethernet Port 0 Ethernet Media Interface</b>				
B36	G0_TPIAP	AI/AO	A	<b>Port 0 Transmit/Receive Positive/Negative Connect directly to XFMR without any pull-down terminators, such as resistors or capacitors, required</b>
A39	G0_TPIAN	AI/AO	A	
D4	G0_TPIBP	AI/AO	A	
A40	G0_TPIBN	AI/AO	A	
B37	G0_TPICP	AI/AO	A	
A41	G0_TPICN	AI/AO	A	
B38	G0_TPIDP	AI/AO	A	
B39	G0_TPIDN	AI/AO	A	
<b>Ethernet Port 1 Ethernet Media Interface</b>				
A43	G1_TPIAP	AI/AO	A	<b>Port 1 Transmit/Receive Positive/Negative Connect directly to XFMR without any pull-down terminators, such as resistors or capacitors, required</b>
B40	G1_TPIAN	AI/AO	A	
B41	G1_TPIBP	AI/AO	A	
A45	G1_TPIBN	AI/AO	A	
B43	G1_TPICP	AI/AO	A	
A47	G1_TPICN	AI/AO	A	
B44	G1_TPIDP	AI/AO	A	
B45	G1_TPIDN	AI/AO	A	
<b>Ethernet Port 2 Ethernet Media Interface</b>				
A49	G2_TPIAP	AI/AO	A	<b>Port 2 Transmit/Receive Positive/Negative Connect directly to XFMR without any pull-down terminators, such as resistors or capacitors, required</b>
B46	G2_TPIAN	AI/AO	A	
B47	G2_TPIBP	AI/AO	A	
A51	G2_TPIBN	AI/AO	A	
B48	G2_TPICP	AI/AO	A	
A52	G2_TPICN	AI/AO	A	
D1	G2_TPIDP	AI/AO	A	
A1	G2_TPIDN	AI/AO	A	



**Table 3 Ethernet Media Interface Signals (cont'd)**

Pin No.	Name	Pin Type	Buffer Type	Function
<b>Ethernet Port 3 Ethernet Media Interface</b>				
D2	G3_TPIAP	AI/AO	A	<b>Port 3 Transmit/Receive Positive/Negative Connect directly to XFMR without any pull-down terminators, such as resistors or capacitors, required</b>
A14	G3_TPIAN	AI/AO	A	
B13	G3_TPIBP	AI/AO	A	
A15	G3_TPIBN	AI/AO	A	
B14	G3_TPICP	AI/AO	A	
B15	G3_TPICN	AI/AO	A	
A17	G3_TPIDP	AI/AO	A	
B16	G3_TPIDN	AI/AO	A	
<b>Ethernet Port Calibration</b>				
B1	RCAL	AI/AO	A	<b>Calibration for all GPHY Ethernet Ports</b> An external resistor RCAL of 16 kΩ ±1% must be connected between the RCAL pin and ground.

### 2.2.3.2 SGMII Interface

**Table 4 SGMII Interface Signals**

Pin No.	Name	Pin Type	Buffer Type	Function
B20	<b>RX0_P</b>	AI	HD	<b>Differential SGMII Data Input Pair</b> These are the negative and positive signals respectively of the differential input pair of the SGMII SerDes interface. The pair samples a 1.25/3.125 GT/s differential data signal. These pins must be AC-coupled. Due to the integrated CDR, no external transmission peer source-synchronous clock is required. These pins must be AC-coupled.
B21	<b>RX0_M</b>	AI	HD	
B18	<b>TX0_P</b>	AO	HD	<b>Differential SGMII Data Output Pair</b> These are the negative and positive signals respectively of the differential output pair of the SGMII SerDes interface. The pair samples a 1.25/3.125 GT/s differential data signal.
A19	<b>TX0_M</b>	AO	HD	
B17	<b>RESREF</b>	AO	A	<b>External tuning resistor</b> Connect external tuning resistor An external resistor RRESREF of 200 Ω ±1% must be connected between the RESREF pin and ground.

### 2.2.3.3 Ethernet Media Independent Interface

**Attention:** The pin functionality in [Table 5](#) highlighted in bold indicates the pin name.

**Table 5 Ethernet Media Independent Interface Signals**

Pin No.	Name	Pin Type	Buffer Type	Function
<b>Ethernet Port 5 Media Independent Interface</b>				
A34	<b>RGMI5_TXC</b> <b>RMII5_REF_CLK</b>	O	PD	RGMI5: Transmit Clock for pins RGMI5_TX* RMII: REF_CLK (50 MHz. Programmable as either Output or Input)
B29	<b>RGMI5_TXD0</b> <b>RMII5_TXD0</b>	O		RMII/RGMI5 Transmit Data Bit 0
A32	<b>RGMI5_TXD1</b> <b>RMII5_TXD1</b>	O		RMII/RGMI5 Transmit Data Bit 1
B30	<b>RGMI5_TXD2</b>	O		RGMI5 Transmit Data Bit 2
B31	<b>RGMI5_TXD3</b>	O		RGMI5 Transmit Data Bit 3
B28	<b>RGMI5_TX_CTL</b> <b>RMII5_TX_CTL</b>	O		RMII/RGMI5 Transmit Control
B32	<b>RGMI5_RXC</b>	I	PD	RGMI5 Receive Clock for pins RGMI5_RX*
B33	<b>RGMI5_RXD0</b> <b>RMII5_RXD0</b>	I	PD	RMII/RGMI5 Receive Data Bit 0
A36	<b>RGMI5_RXD1</b> <b>RMII5_RXD1</b>	I	PD	RMII/RGMI5 Receive Data Bit 1
B34	<b>RGMI5_RXD2</b>	I	PD	RGMI5 Receive Data Bit 2

**Table 5 Ethernet Media Independent Interface Signals (cont'd)**

Pin No.	Name	Pin Type	Buffer Type	Function
B35	<b>RGMI5_RXD3</b>	I	PD	RGMI Receive Data Bit 3
A38	<b>RGMI5_RX_CTL</b> <b>RMII5_CRD_DV</b>	I	PD	RGMI: Receive Control RMII: Carrier Sense and Data Valid This is the carrier sense/data valid signal and encodes the RX_DV and CRS signals of the RMII, according to the RMII specification. The signal polarity is active high.

### 2.2.3.4 LED/UART/JTAG Interface

The LED interface is used to connect the external LEDs for Ethernet status indication of the Ethernet PHY interfaces. The single and dual color LEDs are supported. There are three LEDs per port. The JTAG interface shares the pins with the LED interface.

**Attention: The pin functionality in Table 6 highlighted in bold indicates the pin name.**

**Table 6 LED Interface Signals**

Pin No.	Name	Pin Type	Buffer Type	Function
<b>LED Signals</b>				
A4	GPIO16	Prg	Prg	<b>General Purpose IO 16</b> It can be selected as input or output mode. The output characteristic can be selected to be open drain or push-pull.
	<b>LED00</b>	O		<b>LED0 for Port 0</b> LED control output, freely configurable, drives single-color or dual color LEDs.
A6	GPIO17	Prg	Prg	<b>General Purpose IO 17</b> It can be selected as input or output mode. The output characteristic can be selected to be open drain or push-pull.
	<b>LED10</b>	O		<b>LED0 for Port 1</b> LED control output, freely configurable, drives single-color or dual color LEDs.
	TDO	O		<b>JTAG Serial Test Data Output</b> JTAG test data output
A8	GPIO18	Prg	Prg	<b>General Purpose IO 18</b> It can be selected as input or output mode. The output characteristic can be selected to be open drain or push-pull.
	<b>LED20</b>	O		<b>LED0 for Port 2</b> LED control output, freely configurable, drives single-color or dual color LEDs.
	TDI	I	PU	<b>JTAG Serial Test Data Input</b>
A10	GPIO19	Prg	Prg	<b>General Purpose IO 19</b> It can be selected as input or output mode. The output characteristic can be selected to be open drain or push-pull.
	<b>LED30</b>	O		<b>LED0 for Port 3</b> LED control output, freely configurable, drives single-color or dual color LEDs.
	TMS	I	PU	<b>JTAG Test Mode Select</b>

**Table 6 LED Interface Signals (cont'd)**

Pin No.	Name	Pin Type	Buffer Type	Function
A12	GPIO20	Prg	Prg	<b>General Purpose IO 20</b> It can be selected as input or output mode. The output characteristic can be selected to be open drain or push-pull.
	<b>LED40</b>	O		<b>General Purpose LED Signal</b> LED signal not related to any switch port, control via LED_MD_CFG register only
	TCK	I	PU	<b>JTAG Test Clock</b> The signals TDI, TDO, and TMS are synchronous subject to this JTAG test clock. <i>Note: When JTAG Controller is held in reset state, i.e. Gigabit Ethernet Switch operates in normal mode, this clock pin does not have to be clocked.</i>
B4	GPIO21	Prg	Prg	<b>General Purpose IO 21</b> It can be selected as input or output mode. The output characteristic can be selected to be open drain or push-pull.
	<b>LED01</b>	O		<b>LED1 for Port 0</b> LED control output, freely configurable, drives single-color or dual-color LEDs.
B6	GPIO22	Prg	Prg	<b>General Purpose IO 22</b> It can be selected as input or output mode. The output characteristic can be selected to be open drain or push-pull.
	<b>LED11</b>	O		<b>LED1 for Port 1</b> LED control output, freely configurable, drives single-color or dual-color LEDs.
B8	GPIO23	Prg	Prg	<b>General Purpose IO 23</b> It can be selected as input or output mode. The output characteristic can be selected to be open drain or push-pull.
	<b>LED21</b>	O		<b>LED1 for Port 2</b> LED control output, freely configurable, drives single-color or dual-color LEDs.
B10	GPIO24	Prg	Prg	<b>General Purpose IO 24</b> It can be selected as input or output mode. The output characteristic can be selected to be open drain or push-pull.
	<b>LED31</b>	O		<b>LED1 for Port 3</b> LED control output, freely configurable, drives single-color or dual-color LEDs.
B12	GPIO25	Prg	Prg	<b>General Purpose IO 25</b> It can be selected as input or output mode. The output characteristic can be selected to be open drain or push-pull.
	<b>LED41</b>	O		<b>General Purpose LED Signal</b> LED signal not related to any switch port, control via LED_MD_CFG register only

**Table 6 LED Interface Signals (cont'd)**

Pin No.	Name	Pin Type	Buffer Type	Function
B5	GPIO26	Prg	Prg	<b>General Purpose IO 26</b> It can be selected as input or output mode. The output characteristic can be selected to be open drain or push-pull. <i>Note: This pin reads in pin-strapping information during reset.</i>
	LED02	O		<b>LED2 for Port 0</b> LED control output, freely configurable, drives dual-color or single color LED.
	LIGHT	I/O		<b>Light Sensor Input</b> Light Sensor Input
B7	GPIO27	Prg	Prg	<b>General Purpose IO 27</b> It can be selected as input or output mode. The output characteristic can be selected to be open drain or push-pull. <i>Note: This pin reads in pin-strapping information during reset.</i>
	LED12	O		<b>LED2 for Port 1</b> LED control output, freely configurable, drives dual-color or single color LED.
B9	GPIO28	Prg	Prg	<b>General Purpose IO 28</b> It can be selected as input or output mode. The output characteristic can be selected to be open drain or push-pull. <i>Note: This pin reads in pin-strapping information during reset.</i>
	LED22	O		<b>LED2 for Port 2</b> LED control output, freely configurable, drives dual-color or single color LED.
B11	GPIO29	Prg	Prg	<b>General Purpose IO 29</b> It can be selected as input or output mode. The output characteristic can be selected to be open drain or push-pull. <i>Note: This pin reads in pin-strapping information during reset.</i>
	LED32	O		<b>LED2 for Port 3</b> LED control output, freely configurable, drives dual-color or single color LED.
A13	GPIO30	Prg	Prg	<b>General Purpose IO 30</b> It can be selected as input or output mode. The output characteristic can be selected to be open drain or push-pull. <i>Note: This pin reads in pin-strapping information during reset.</i>
	LED42	I/O		<b>Brightness Control</b> This pin is used for the brightness control switch input.
A2	TRSTN	I	PD	<b>JTAG Test Reset</b> <i>Note: The integrated pull-down resistor holds the TAP controller in its reset state when the pin is left open. This is a difference to the JTAG specification given by IEEE 1149.1.</i>

### 2.2.3.5 Management Interfaces

Five types of serial management interfaces are provided: the SPI master, SPI slave, MDIO slave, MDIO master and UART interfaces.

**Attention:** The pin functionality in [Table 7](#) highlighted in bold indicates the pin name.

**Table 7 Management Interface Signals**

Pin No.	Name	Pin Type	Buffer Type	Function
<b>MDIO Master Interface</b>				
B25	<b>GPIO0</b>	Prg	Prg	<b>General Purpose IO 0</b> It can be selected as input or output mode. The output characteristic can be selected to be open drain or push-pull.
	GPC0			<b>General Purpose Clock 0</b> General Purpose clock for Synchronous Ethernet or external devices.
	EXINT0			<b>External Interrupt 0</b> The output characteristic can be selected to be open drain or push-pull.
	MMDIO	I/O		<b>MDIO Master Data Input/Output</b> Serial data input and output according to IEEE 802.3, clause 22.
A27	<b>GPIO1</b>	Prg	Prg	<b>General Purpose IO 1</b> It can be selected as input or output mode. The output characteristic can be selected to be open drain or push-pull.
	GPC1			<b>General Purpose Clock 1</b> General Purpose clock for Synchronous Ethernet or external devices.
	EXINT1			<b>External Interrupt 1</b> The output characteristic can be selected to be open drain or push-pull.
	MMDC	O		<b>MDIO Master Clock Output</b> Serial clock output according to IEEE 802.3, clause 22.
<b>SPI Slave, MDIO Slave Interface and UART Interface</b>				
A30	<b>GPIO2</b>	Prg	Prg	<b>General Purpose IO 2</b> It can be selected as input or output mode. The output characteristic can be selected to be open drain or push-pull.
	SSDI	I		<b>SPI Slave Data Input</b> SPI interface data input
	<b>URXD</b>	I		<b>UART Data Input</b> UART interface data input
B27	<b>GPIO3</b>	Prg	Prg	<b>General Purpose IO 3</b> It can be selected as input or output mode. The output characteristic can be selected to be open drain or push-pull. <i>Note: This pin reads in pin-strapping information during reset.</i>
	SSDO	O		<b>SPI Slave Data Output</b> SPI interface data output.
	<b>UTXD</b>	O		<b>UART Data Output</b> UART interface data output.

**Table 7 Management Interface Signals (cont'd)**

Pin No.	Name	Pin Type	Buffer Type	Function
A28	GPIO4	Prg	Prg	<b>General Purpose IO 4</b> It can be selected as input or output mode. The output characteristic can be selected to be open drain or push-pull.
	SSCK	I		<b>SPI Slave Clock</b> SPI interface clock.
	SMDC	I		<b>MDIO Slave Clock</b> The external controller provides the serial clock of up to 25 MHz on this input.
	LIGHT	I/O		<b>Light Sensor Input</b> Light Sensor Input.
B26	GPIO5	Prg	Prg	<b>General Purpose IO 5</b> It can be selected as input or output mode. The output characteristic can be selected to be open drain or push-pull.
	SSCS	I		<b>SPI Slave Chip Select</b> SPI interface chip select.
	SMDIO	I/O		<b>MDIO Slave Data Input/Output</b> The external controller uses this signal to address internal registers and to transfer data to and from the internal registers.
	PWLED	O		<b>Power LED</b> LED for indicating power up.
<b>SPI Master interface</b>				
B24	GPIO6	Prg	Prg	<b>General Purpose IO 6</b> It can be selected as input or output mode. The output characteristic can be selected to be open drain or push-pull.
	MSDI	I		<b>SPI Master Data Input</b> SPI interface data input.
	LIGHT	I/O		<b>Light Sensor Input</b> Light Sensor Input.
A26	GPIO7	Prg	Prg	<b>General Purpose IO 7</b> It can be selected as input or output mode. The output characteristic can be selected to be open drain or push-pull. <i>Note: This pin reads in pin-strapping information during reset.</i>
	MSDO	O		<b>SPI Master Data Output</b> SPI interface data output
	PWLED	O		<b>Power LED</b> LED for indicating power up
D3	GPIO8	Prg	Prg	<b>General Purpose IO 8</b> It can be selected as input or output mode. The output characteristic can be selected to be open drain or push-pull. <i>Note: This pin reads in pin-strapping information during reset.</i>
	MSCK	O		<b>SPI Master Clock</b> SPI interface clock

**Table 7 Management Interface Signals (cont'd)**

Pin No.	Name	Pin Type	Buffer Type	Function
A25	GPI09	Prg	Prg	<b>General Purpose IO 9</b> It can be selected as input or output mode. The output characteristic can be selected to be open drain or push-pull. <i>Note: This pin reads in pin-strapping information during reset.</i>
	<b>MSCS</b>	O		<b>SPI Master Chip Select</b> SPI interface chip select. Active low signal.

### 2.2.3.6 Miscellaneous Signals

**Attention:** The pin functionality in [Table 8](#) highlighted in bold indicates the pin name.

**Table 8 Miscellaneous Signals**

Pin No.	Name	Pin Type	Buffer Type	Function
<b>Reset and Clocking</b>				
B22	<b>XTAL1</b>	AI	A	<b>Crystal: Oscillator Input</b> A crystal must be connected between XTAL1 and XTAL2. Additional Load Capacitances must tie both pins to the GND.
	CLK	I		<b>Clock: Clock Input</b> Direct clock input.
B23	<b>XTAL2</b>	AO	A	<b>Crystal: Oscillator Output</b> A crystal must be connected between XTAL1 and XTAL2. Additional Load Capacitances must tie both pins to the GND.
B3	<b>HRSTN</b>	I	PU	<b>Hardware Reset</b> Asynchronous active low device reset
A21, B2	<b>NC</b>	-	-	<b>Not Connected</b> Must be connected to ground



### 2.2.3.7 Power Supply

This section specifies the power supply pins.

**Table 9 Power Supply Pins**

Pin No.	Name	Pin Type	Buffer Type	Function
C10, C14, C31, C34, C36, C39	<b>VDDH</b>	PWR		<b>High-Voltage Domain Supply</b> This is the group of supply pins for the high voltage domain. It supplies the Line-Driver in the PMA of the Gigabit Ethernet Switch. This supply must provide a nominal voltage of $V_{DDH}=3.3\text{ V}$ with a worst case tolerance $\pm 5\%$ at the corners, respectively.
C6, C8, C19, C21	<b>VDDP</b>	PWR		<b>Pad-Voltage Domain P Supply</b> This is the group of supply pins for the pad-supply of the Gigabit Ethernet Switch (excluding RGMII). This supply must provide a nominal voltage of $V_{DDP}=3.3\text{ V}$ with a worst case tolerance $\pm 5\%$ at the corners, respectively.
C26, C28	<b>VDDR</b>	PWR		<b>Pad Voltage Domain R Supply</b> This is the group of supply pins for the RGMII pad-supply of the Gigabit Ethernet Switch. This supply must provide a nominal voltage of $V_{DDR}=3.3\text{ V}$ or $2.5\text{ V}$ with a worst case tolerance $\pm 5\%$ at the corners, respectively.
B42, C12, C33, C37	<b>VDDL</b>	PWR		<b>Low-Voltage Domain Supply</b> This is the group of supply pins for the low voltage domain. It supplies mixed signal blocks in the PMA of the Gigabit Ethernet Switch. This supply must provide a nominal voltage of $V_{DDL}=1.1\text{ V}$ with a worst case tolerance $\pm 5\%$ .
C17	<b>VDDA</b>	PWR		<b>XO Pad-Voltage Domain P Supply</b> This is the group of supply pins for the pad-supply of the ROPLL and XO. This supply must provide a nominal voltage of $V_{DDSP}=3.3\text{ V}$ with a worst case tolerance $\pm 5\%$ at the corners, respectively.
C15, B19	<b>VDDS</b>	PWR		<b>SGMII Low-Voltage Domain Supply</b> This is the group of supply pins for the low voltage domain of the SGMII interface. It supplies mixed signal blocks in the PMA of the SGMII interface. This supply must provide a nominal voltage of $V_{DDSL}=1.1\text{ V}$ with a worst case tolerance $\pm 5\%$ .
A23	<b>VDDQ</b>	PWR		<b>Fusing Domain Supply</b> This pin must be tied to ground.
C2, C4, C23, C25	<b>VDD</b>	PWR		<b>Core-Voltage Domain Supply</b> This is the group of supply pins for the core voltage domain. It supplies the digital core blocks of the Gigabit Ethernet Switch. This supply must provide a nominal voltage of $V_{DDC}=1.1\text{ V}$ with a worst case tolerance $\pm 5\%$ .
EPAD <sup>1)</sup>	<b>VSS</b>	GND		<b>General Device Ground</b>

1) The EPAD is the exposed pad at the bottom of the package. This pad must be properly connected to the ground plane of the PCB.

## 3 Functional Description

This chapter includes the functional description.

### 3.1 Clock and Reset

This section describes the clock and reset.

#### 3.1.1 Clock Generation Unit

A single clock source connects to the system, the internal clock circuit generates all required clocks through the internal PLL circuits. The clock source must be 25 MHz or 40 MHz, selected via pin strapping of pin UTXD.

#### 3.1.2 General Purpose Clock Output

There are two general purpose clocks supported. General purpose clock share the pins with other functions.

The general purpose clock output has frequency of 125/N MHz, where N is configurable via register **SYSCLK\_CONF** field **CLK250\_DIV**.

#### 3.1.3 Reset Generation Unit

There are the following reset sources that can bring chip or partial of chip into reset:

- Hardware Reset Input
- Global Software Reset
- Module Software Reset

Hardware input resets all hardware modules and loads pin-strapping information into the register. Hardware input reset is the most thorough reset among the reset choices. Driving HRSTN pin low causes an asynchronous reset of the entire device. HRST pin high deasserts the reset. The configuration input pin(s) are sampled and latched at the rising edge of HRSTN signal. Hardware reset resets all logics in digital and analog domains.

Global software reset (SRST) is issued by the external controller or by boot loader to reset the whole chip. A global software reset does not latch boot strapping information again. The following registers are not affected by global software reset.

- All clock generation configuration registers
- Pin-strapping registers

Individual module software Reset is another type of reset. When the software detects a condition which requires the individual module to be reset, a software reset can be performed by writing to a special register, the Reset Request register. Write '1' to **RST\_REQ** register to assert software reset and write '0' to **RST\_REQ** register to deassert software reset. The duration of reset is controlled by the software. There is an additional self-clearing reset for the first GPHY Macro (GHY0 Macro).

#### 3.1.4 Power Up Sequence

VDDP/VDDH/VDDA must be up before VDDL/VDDS/VDD.

## 3.2 Management Interface Functional Description

This section includes the Management Interface functional description.

### 3.2.1 Management Interface Subsystem Features

The Management Interface Subsystem supports the following features:

- Four concurrent types of management interface:
  - MDIO slave interface or SPI slave interface (share pins with GPIO)
  - UART interface or SPI slave interface (share pins with GPIO)
  - SPI master interface (share pins with GPIO)
  - MDIO master interface (share pins with GPIO)
- MDIO master interface to control PHY devices
  - Support auto polling of internal and external PHY devices registers
  - Support indirect access by command to internal and external PHY devices registers
  - Support programmable MDC clock up to 17 MHz
- SPI master interface connecting to a serial EEPROM
  - Support clock up to 42 MHz
  - Supports automatic switch configuration from external EEPROM memory
  - Support write access to EEPROM by an external controller
  - Supports different EEPROM sizes from 1 Kbit to 1024 Kbit
- SPI slave interface to allow control by an external master (such as router or microcontroller)
  - Maximum SPI interface clock 50 MHz and Minimum SPI interface clock is 2.5 MHz
- MDIO slave to allow control by an external master (such as router or microcontroller)
  - Maximum MDIO interface clock 25 MHz
- UART interface connecting to serial terminal
  - Support various baud rate: 4800, 9600, 19200, 38400, 57600, 115200 (default), 230400, 460800, 921600
  - Supports 8-bit data frame, LSB first
  - Support even parity and no parity mode
  - Support 1 or 2 stop bits
  - Support single read access and single write access via serial terminal
  - Support access abort via special characters

### 3.2.2 Slave Management Interface Mode Pin Multiplexing

The pins of the slave management interface modes are partly shared. Therefore, a parallel operation of the different slave interfaces is limited. [Table 10](#) shows the possible combinations. The management mode is determined by the operation mode (OPMDx, x=1, 2, 3) configured by pin strapping via PS\_OP\_MD.

**Table 10 Management Mode Combinations**

Management Mode	Standalone Unmanaged	SPI Managed	MDIO Managed
Slave SPI Access	No	Yes	No
Slave MDIO Access	No	No	Yes
UART Access	Yes	No	Yes

Enabling self-start mode procedure (PS\_NOWAIT = 1B) ensures that the correct GPIO pin multiplexer settings are configured by default according to the management mode (refer to [Section 3.2.8 Boot Loader Description](#)).

### 3.2.3 MDIO Master Module

The Management Data Input/Output (MDIO) master module provides the register interface to access external or internal PHY registers. The access is triggered by an internal bus master access or by an automatic PHY status polling function. See [Figure 8](#) for details.

This interface is used to configure the internal and external PHYs and to read status information (speed, duplex, pause, EEE capability). Access to the MDIO master registers automatically starts a serial access to the internal or external component that is addressed by the PHY address given with the command.

The interface uses the serial protocol defined by IEEE 802.3, clause 22. Up to 32 external devices can be addressed through a 5-bit PHY address (PHYADR). Each of these devices can have up to 32 16-bit registers, selected by a 5-bit register address (REGADR). PHY and register address are given in the command word. Each data transfer covers a 16-bit data word.

#### High Speed Operation

The MDIO master interface configuration is through [MMDC\\_CFG\\_1](#). The standard MDIO protocol uses a clock rate of 3.4 MHz on MDC, which is also the default setting. To speed up the data exchange, the clock generated on MDC can be increased (when the connected PHY supports this). See the [AC Characteristics](#) for details.

#### MDIO Master Interface Address Assignment

The MDIO address for PHY can be configured through [PHY\\_ADDR\\_0/1/2/3/4/5](#).

**Table 11 Default Master MDIO Address Assignment**

	Default Address	Configuration Register
Port 0 Internal PHY	0	<a href="#">PHY_ADDR_0</a>
Port 1 Internal PHY	1	<a href="#">PHY_ADDR_1</a>
Port 2 Internal PHY	2	<a href="#">PHY_ADDR_2</a>
Port 3 Internal PHY	3	<a href="#">PHY_ADDR_3</a>
Port 4 External PHY	4	<a href="#">PHY_ADDR_4</a>
Port 5 External PHY	5	<a href="#">PHY_ADDR_5</a>

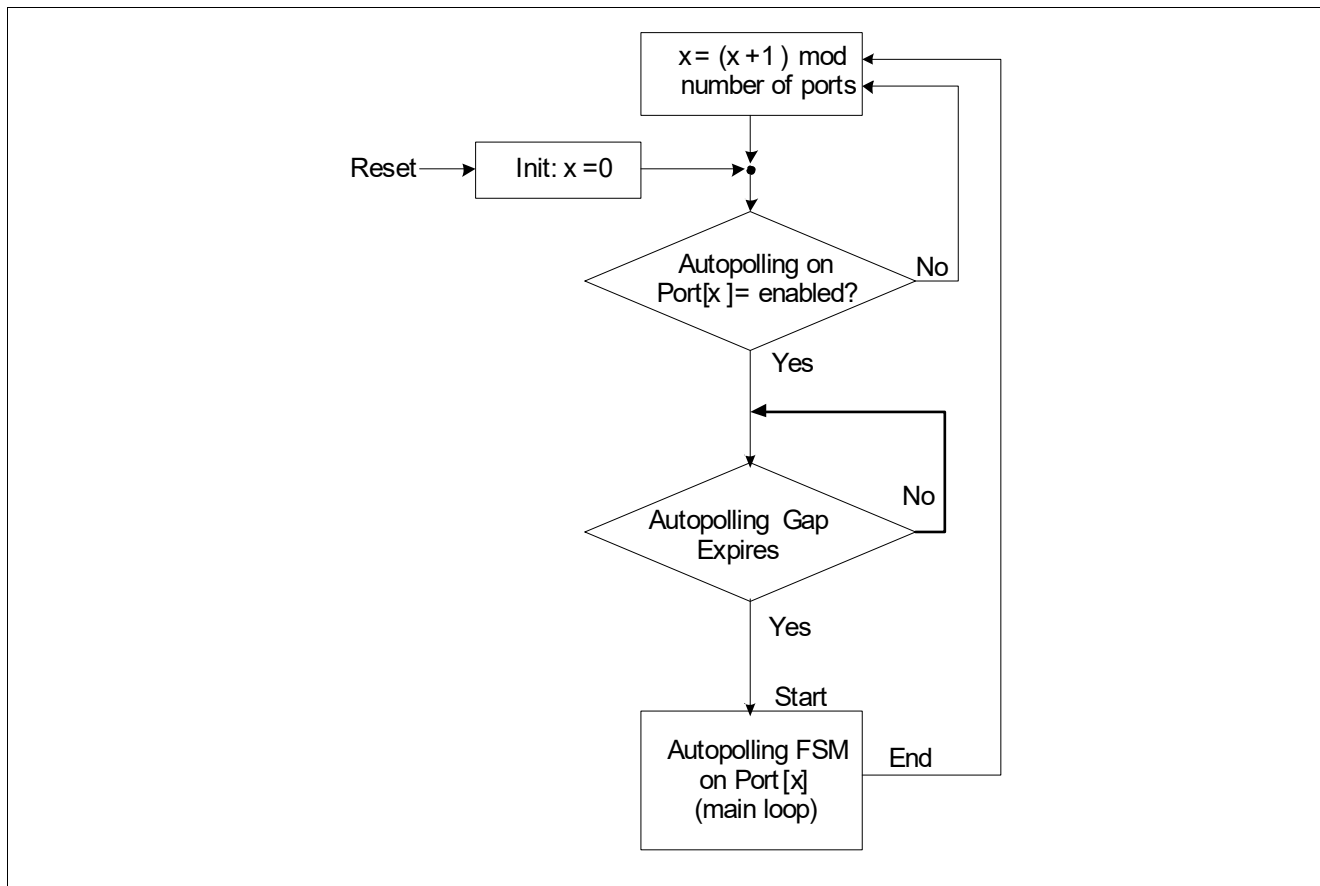
#### Automatic Polling State Machine

An automatic polling state machine is implemented to dynamically read the internal and external PHY registers which reflect the status of the link, the link speed, duplex mode, pause capabilities and 802.3az EEE capabilities. When the automatic polling state machine is enabled on a port (through [MMDC\\_CFG\\_0](#)), the PHY status is read out and corresponding MAC module is configured accordingly.

When MDIO Master interface is accessed by the management action (using the dedicated indirect MDIO register access) it has the higher priority over the auto-polling state machine.

When the MDIO auto-polling state machine is disabled, the link speed, link duplex mode, link status, the pause settings and 802.3az EEE settings hold the previous polled values and can also be configured by the explicit management action.

[Figure 7](#) shows the port loop of the auto-polling FSM. The auto-polling FSM goes sequentially over all ports enabled for auto-polling and applies the auto-polling main loop. The gap between each auto polling main loop is programmable via register [MMDC\\_CFG\\_0](#) field [GAP](#). Ports disabled for auto-polling are skipped. The polling sequence is repeated constantly in an infinite loop.



**Figure 7 Auto-polling FSM - Port Loop**

**Figure 8** describes the main loop of the auto-polling state machine. The state machine reads the PHY's registers in the following sequence:

1. Read REG0 and check when the PHY is connected. When the value of the register is all ones, no PHY is assumed to be connected and PHY Inactive status is reported.
2. PHY support of the auto-negotiation (ANEG) is checked in Bit 12 of the REG0. When the PHY does not support ANEG, duplex and speed are based on REG0 settings. Link is based on the bit 2 of REG1. Pause capability is set to the maximum (support symmetric and asymmetric pause).
3. Bit 5 of the REG1 is checked for ANEG status. When ANEG is not complete - current FSM cycle for this port breaks and the Link Status reported as zero. Status of this port is checked again in the next round.
4. When ANEG is complete, the FSM branches based on the bit 8 in REG1. In case there is no extended status supported, the attached PHY is a FE PHY. In case extended status is supported ( $REG1.8=1_b$ ) the PHY is GE PHY.
5. For FE PHY, REG5 (partner) and REG4 (local) are fetched for the speed/duplex/pause auto-negotiation result.
6. For GE PHY REG10 (partner) and REG9 (local) are fetched in addition to the FE abilities. REG15 bit 12 to 15 are checked for the 1000BASE-X or 1000BASE-T capability.
7. When bit 1 in REG6 for GE PHY does not indicate reception of the next page, the PHY considered to perform parallel detection and speed/duplex/pause is based on the REG4 and REG5 as in the FE PHY case.
8. EEE capability and advertising registers are fetched.
9. Auto resolution function is applied in the end, based on the fetched result and appropriate status info is reported to the MAC module.

*Note: When automatic polling is enabled, PHY status registers are regularly read. This causes the latching status bits to be reset. When the software must read out the latched status information, the automatic polling must be disabled.*

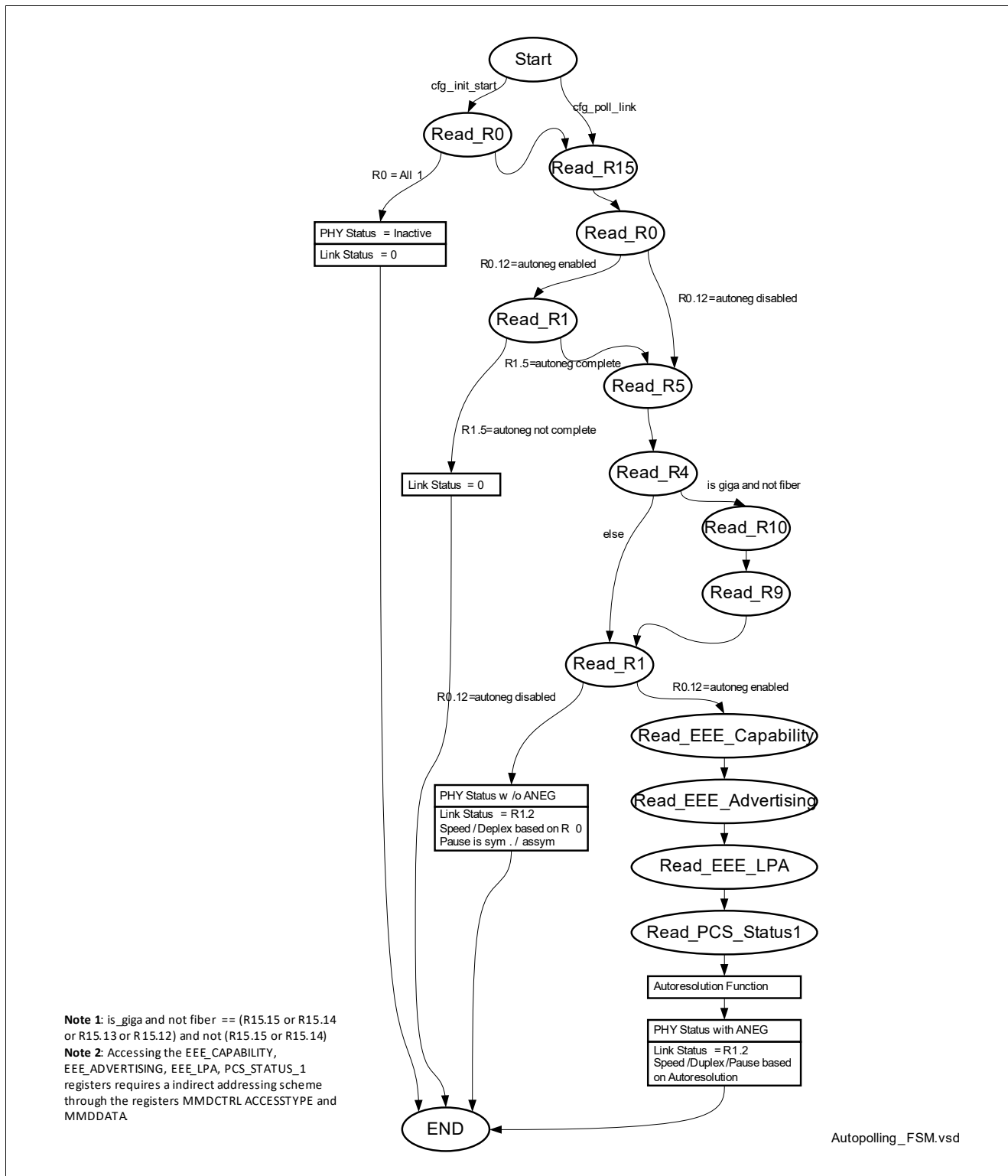


Figure 8 Auto Polling FSM - Main Loop

### MDIO Master Indirect Access

When MDIO Master interface is accessed by the management action (using the dedicated indirect MDIO register access through **MMDIO\_CTRL**, **MMDIO\_READ** and **MMDIO\_WRITE**). It has the higher priority over the auto-polling state machine.

Only single access is supported.

#### Single Read Access

Reading data from a PHY register through indirect access is performed in following steps:

The first step can be skipped for the following consecutive access.

1. Read status **MMDIO\_CTRL**.
2. When **MMDIO\_CTRL.MBUSY** is 0<sub>B</sub>, write “operation mode”, “target PHY address” and “target register address” to **MMDIO\_CTRL**.
  - a) **OP** = 10<sub>B</sub> (read)
  - b) **PHYAD** = Target PHY Address
  - c) **REGAD** = Target Register Address
3. Read status **MMDIO\_CTRL**.
4. When **MMDIO\_CTRL.MBUSY** is 0<sub>B</sub>, read data from **MMDIO\_READ**.
  - a) **RDATA** = [result from target register]

#### Single Write Access

Writing data to a PHY register through indirect access is performed in following steps:

1. Read status **MMDIO\_CTRL**.
2. When **MMDIO\_CTRL.MBUSY** is 0<sub>B</sub>, write the target data to **MMDIO\_WRITE**.
  - a) **WDATA** = [data to be written]
3. Write “operation mode”, “target PHY address” and “target register address” to **MMDIO\_CTRL**.
  - a) **OP** = 01<sub>B</sub> (write)
  - b) **PHYAD** = Target PHY Address
  - c) **REGAD** = Target Register Address

### Master MDIO Access to External PHYs

MMDC and Master MDIO (MMDIO) pins are shared with other functions (see [Section 3.4.1](#)) and a pin multiplexer (see [Figure 17](#)) selects which of these alternative functions is used for the hardware pins. The default pin multiplexer settings prevent to access external PHYs via indirect MMDIO access function.

The GSW1xx registers GPIO\_ALTSEL0 (0xF383) and GPIO\_ALTSEL1 (0xF384) are the relevant pin multiplexer registers to control the alternative functions. Make sure GPIO0 and GPIO1 in ALTSEL0 and ALTSEL1 are configured to MMDC/MMDIO as shown here:

GPIO\_ALTSEL0.bit1...bit0 = 11b

GPIO\_ALTSEL1.bit1...bit0 = 11b

Furthermore, disable autopolling in register MMDC\_CFG\_0 (0xF40B) by configuring the corresponding PHY polling bit to 0 to prevent a collision between autopolling and manual MMDIO access which might results in incorrect read/write data.

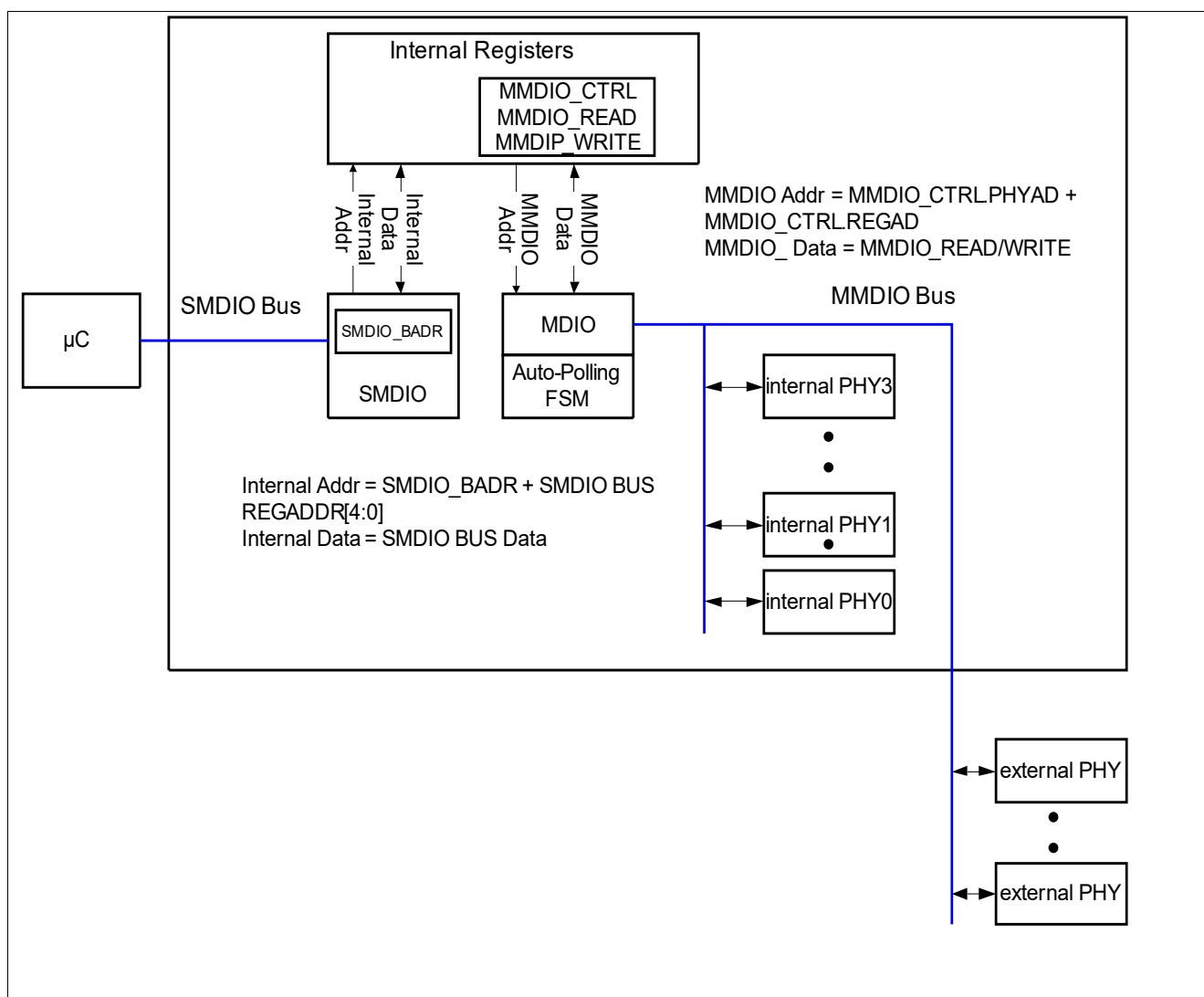
After this setting, wait for a few ms (e.g. 10 ms) before starting the register access process.

After the manual access is complete, configure the corresponding PHY polling bit to 1 in register MMDC\_CFG\_0 (0xF40B) to reactivate autopolling.

### 3.2.4 MDIO Slave Module

An external controller can be connected to the switch’s slave MDIO interface. **Figure 9** shows the chip behaves as MDIO slave similar to an PHY. Via indirect addressing the external controller is able to access all internal registers. MDIO Slave module is a master of internal bus. Read and write requests of MDIO slave are translated to read and write requests to internal bus.

For the access to the external or internal PHYs, the chip serves as a proxy for the external controller. The external controller must write the PHY address, the PHY register address, the command (read/write) and the corresponding data into internal registers. Based on the information which has been written, the information is translated into an MDIO frame and sent via the MDIO master interface to the destination PHY.



**Figure 9 MDIO Proxy in Switching Mode**

When other devices in the system must be configured through MDIO, they must either be connected to the MDIO master interface or, when connected to the MDIO slave interface, must be configured so that no addressing conflict arises.

The interface can use the standard MDIO protocol which provides vendor-specific registers in the upper 5-bit REGADR range. Within this range there are certain registers which allow an indirect access to multiple internal configuration and status registers.



The standard MDIO protocol requires a 32-bit preamble at the beginning of each read or write access. To speed up the data exchange, the preamble can be reduced down to 1 bit for the second and following subsequent accesses.

The standard MDIO protocol uses a clock rate of 2.5 MHz on MDC. To speed up the data exchange, the clock applied on SMDIO can be increased to maximum 25 MHz. See the [AC Characteristics](#) for details.

The bus protocol used for the MDIO slave interface is the same as defined for MDIO master interface. [Table 11](#) shows the PHY address (PHYADR) range usage. The internal registers are read or written in single or sequential access mode. In sequential access mode, multiple accesses are possible to registers located at subsequent internal addresses.

The SMDIO address used for indirect access is configurable through pin strapping. The SMDIO address are reconfigured via [SMDIO\\_CFG.ADDR](#).

After hardware reset, MDIO slave interface is enabled. MDIO slave interface is multiplexed with SPI slave interface. MDIO and SPI slave cannot be enabled at the same time. When both are enabled, MDIO slave interface is used. When both interfaces are disabled and all the 4 pins used for MDIO slave and SPI slave are input only.

### Single Read Access

Reading data from an internal register through indirect access is performed in following steps:

The first step can be skipped for consecutive access.

1. Write Base Address Register [SMDIO\\_BADR](#).
  - a) OPCODE[1:0] = 01<sub>B</sub> (write)
  - b) PHYADR[4:0] = SMDIO Address
  - c) REGADR[4:0] = 11111<sub>B</sub> (Address of Target Base Address Register)
  - d) DATA[15:0] = [Value of Target Base Address]
2. Read Target Data.
  - a) OPCODE[1:0] = 10<sub>B</sub> (read)
  - b) PHYADR[4:0] = SMDIO Address
  - c) REGADR[4:0] = 00000 - 11110<sub>B</sub> (Target Offset Address)
  - d) DATA[15:0] = [Read Data from Target]

### Multiple Read Access

Reading data from an internal register through indirect access can also access the same register multiple times or the consecutive register within a range. This can be used, for example, to read from a FIFO-style memory through a single register address or to poll a register for a certain value. The sequence is as follows:

1. Write Base Address Register [SMDIO\\_BADR](#).
  - a) OPCODE[1:0] = 01<sub>B</sub> (write)
  - b) PHYADR[4:0] = SMDIO Address
  - c) REGADR[4:0] = 11111<sub>B</sub> (Address of Target Base Address Register)
  - d) DATA[15:0] = [Value of Target Base Address]
2. Read Target Data.
  - a) OPCODE[1:0] = 10<sub>B</sub> (read)
  - b) PHYADR[4:0] = SMDIO Address
  - c) REGADR[4:0] = 00000 - 11110<sub>B</sub> (Target Offset Address)
  - d) DATA[15:0] = [Read Data from Target]
3. Repeat Step 2 when the target register address is within offset 0 to 30 from the target base address.

### Single Write Access

Writing data to an internal register through indirect access is performed in following steps:

1. Write Base Address Register **SMDIO\_BADR**.
  - a) OPCODE[1:0] = 01<sub>B</sub> (write)
  - b) PHYADR[4:0] = SMDIO Address
  - c) REGADR[4:0] = 11111<sub>B</sub> (Address of Target Base Address Register)
  - d) DATA[15:0] = [Value of Target Base Address]
2. Write Target Data.
  - a) OPCODE[1:0] = 01<sub>B</sub> (write)
  - b) PHYADR[4:0] = SMDIO Address
  - c) REGADR[4:0] = 00000 - 11110<sub>B</sub> (Target Offset Address)
  - d) DATA[15:0] = [Write data To Target]

### Multiple Write Access

Writing data to an internal register through indirect access can also access the same register multiple times or the consecutive register within a range. This can be used, for example, to write a FIFO-style memory through a single register address or to write a register for a certain value. The sequence is as follows:

1. Write Base Address Register.
  - a) OPCODE[1:0] = 01<sub>B</sub> (write)
  - b) PHYADR[4:0] = SMDIO Address
  - c) REGADR[4:0] = 11111<sub>B</sub> (Address of Target Base Address Register)
  - d) DATA[15:0] = [Value of Target Base Address]
2. Write Target Data.
  - a) OPCODE[1:0] = 01<sub>B</sub> (read)
  - b) PHYADR[4:0] = SMDIO Address
  - c) REGADR[4:0] = 00000 - 11110<sub>B</sub> (Target Offset Address)
  - d) DATA[15:0] = [Write Data to Target]
3. Repeat Step 2 when the target register address is within offset 0 to 30 from the target base address.

## 3.2.5 SPI Master Module

It supports the following functions:

- Configuration download from an external serial EEPROM after hardware or global software reset is triggered.
- Configuration upload to an external serial EEPROM during run time after initialization is done.

### Operation

External or internal controller can control SPI master interface via SPI access registers. Operation relies on regular interrupt asserted at the boundary of 8-bit transactions. SPI interrupt indicates that data out buffer is ready to be written and data in carries the valid data and is ready for reading.

An access to an EEPROM/flash requires writing a command byte (refer to the data sheet of the mounted flash memory) to specify the target actions (e.g. erase the device, set the write enable, trigger a page program or a read transaction) and optional address bytes. With every access, data is written (from registers **MSPI\_DOUT01/MSPI\_DOUT23/MSPI\_DOUT45/MSPI\_DOUT67**) as well as read (result stored in **MSPI\_DIN01/MSPI\_DIN23/MSPI\_DIN45/MSPI\_DIN67**).

Operation Configuration:

- First set **MSPI\_OP.MDSEL** to 1<sub>B</sub>.
- Wait until **MSPI\_OP.MDSTA** = 1<sub>B</sub>.
- Do single or multiple manual access operations.

Access Operation:

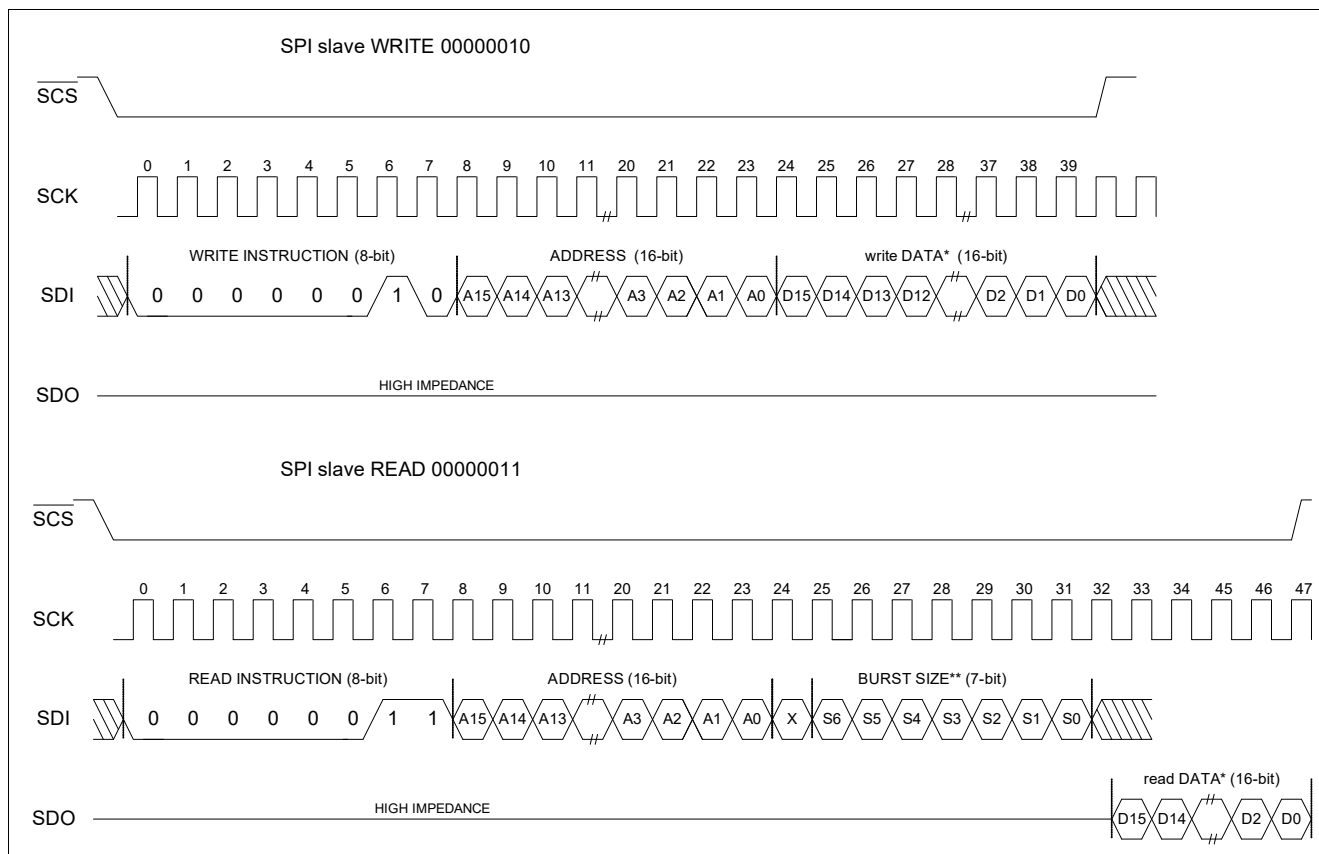
- Write a flash command and optional address or data to be written into **MSPI\_DOUT01/MSPI\_DOUT23/MSPI\_DOUT45/MSPI\_DOUT67**.
- Configure **MSPI\_MANCTRL.SIZE** = number of bytes and **MSPI\_MANCTRL.START** to  $1_B$ .
- Wait for SPI interrupt **MSPI\_ISR.DONE** =  $1_B$ .
- Write  $1_B$  to **MSPI\_ISR.DONE** to clear interrupt.
- In case a read operation must take place, read the result from **MSPI\_DIN01/MSPI\_DIN23/MSPI\_DIN45/MSPI\_DIN67**.

### 3.2.6 SPI Slave Access

The Gigabit Ethernet Switch may work as an SPI slave. An external controller manages the Gigabit Ethernet Switch via SPI slave interface.

The SPI Slave module is a master of internal bus. Read and write requests of SPI are translated to read and write requests to internal bus.

The SPI Slave follows the 16-bit/24-bit serial EEPROM-like protocols (for WRITE/READ respectively). **Figure 10** shows the timing diagrams.



**Figure 10 SPI Slave Access**

An SCK frequency of up to 12.5 MHz is supported.

- In SDI direction, 00000010 is used for the WRITE command and 00000011 is used for the READ command.
- In SDO direction, delay is adjustable in steps of 4 ns from rising or falling edge of SCK.
  - delay is  $(3 + \text{SSPI\_CFG.DRVDLY}) * 4$  ns when **SSPI\_CFG.DRVDLY**  $\neq 0$
  - delay is  $4 * 4$  ns when **SSPI\_CFG.DRVDLY** = 0
- SDO can also be driven up to 2 SCK cycles earlier than the sequence defined in **Figure 10**.
  - When **SSPI\_CFG.REFCYC** = 0, SDO is driven 2 SCK cycles earlier than the sequence defined in **Figure 10**.
  - When **SSPI\_CFG.REFCYC** = 1, SDO is driven 1 SCK cycle earlier than the sequence defined in **Figure 10**.

- When **SSPI\_CFG.REFCYC** = 2, SDO is driven as the sequence defined in [Figure 10](#).
- When **SSPI\_CFG.REFCYC** = 3, SDO is driven 1 SCK cycle later than the sequence defined in [Figure 10](#).
- When **SSPI\_CFG.SDIEGSEL** is set to 0, SDI is latched with the rising edge of SCK (for example when the master is driving SDI with the falling edge of SCK).
- When **SSPI\_CFG.SDIEGSEL** is set to 1, SDI is latched with the falling edge of SCK (for example when the master is driving SDI with the rising edge of SCK).

### 3.2.7 UART Access

UART supports connection to internal bus of chip via a standard com terminal emulator running on UNIX or Windows. UART module is a master of internal bus. Read and write requests of UART are translated to read and write requests to internal bus. Three commands supported are:

```
> r address16
> w address16 write_data16
> m address16 write_data16 enable_data16
```

The UART module echoes the commands as is, ignoring any character that does not match the command format. The return value of r address16 command includes read\_data16 on a new line.

The format of address16, write\_data16 and enable\_data16 are four consecutive hexadecimal digits between 0000<sub>H</sub> and FFFF<sub>H</sub> or FFFF<sub>H</sub>. The returned read\_data16 is same format in lower case.

After chip reset, UART is in line monitoring state, searching line for valid byte. This must be preceded by at least 12 consecutive ones, (IDLE). When first error-free byte is detected, UART module responds by sending a system message:

```
System ready! Use:r/w <addr> <data>
```

followed by prompt sequence:

```
'\r\n' and '>'
```

where the '\r' ASCII(13) can be disabled by setting **UART\_CFG.CRDIS**=1 and the '\n' ASCII(10) can be disabled by setting **UART\_CFG.LFDIS**=1 to adjust new line sequence to different platforms (UNIX, Mac, Windows).

The default prompt character '>' can be changed by **UART\_PROMPT.Prompt0** and **UART\_PROMPT.Prompt1**. Up to two prompt characters are supported. Setting the character to zero disables this character.

In addition to three commands, the character '#' can be used as a first character of the line and the rest of the line is ignored. The character '#' and following characters are not echoed. In line comment, following the valid command, is ignored as invalid character sequence and no other special handling is required.

When using UART from terminal, the basic editing facilities are provided using '\b' 'backspace' character, ASCII(8). 'b' erases a single character on the current line that is echoed. Ignored characters cannot be erased. Multiple 'b' characters can erase the line up to the prompt. Prompt is not erased.

Any command can be aborted by DEL ASCII(127) or ESC(27) characters. The indication of abort of a command is done by '\$' character. Abort of empty line is not indicated by '\$' character.

The following baud rates are supported: 4800, 9600, 19200, 38400, 57600, 115200 (default), 230400, 460800, 921600. The baud rate is programmed via **UART\_BD** and **UART\_FDIV**. **UART\_BD** is the whole part of divider and **UART\_FDIV** is the fractional part of the divider.

Only 8-bit data format is supported. Parity can be enabled or disabled (default) via **UART\_CFG.PAREN**. Even parity is supported. In receive direction any number of stop bits is supported. In transmit direction, the number of stop bits is configured via **UART\_CFG.STOP**.

### 3.2.8 Boot Loader Description

The device supports these boot modes:

- Wait for external master (via SPI Slave, MDIO slave or UART) configuration and trigger
- Self-start mode (External EEPROM not attached)
- SPI master EEPROM mode (External EEPROM attached)

The boot mode is determined by pin strapping. See [Pin Strapping](#) for details.

#### Wait For External Master Procedure (PS\_NOWAIT = 0<sub>B</sub>)

When pin strapping indicates that boot mode is “wait for external master”, boot loader only configures slave interface according to pin strapping. External master must configure and enable Gigabit Ethernet Switch core operation. The internal PHYs and SGMII shell must also be released from the reset state using the register RST\_REQ.

#### Self-start Mode Procedure (PS\_NOWAIT = 1<sub>B</sub>)

When pin strapping indicates that boot mode is not “wait for external master” and no EEPROM is attached, boot loader configures the registers according to the pin-strapping values shown in [Table 12](#) and [Table 13](#).

[Table 12](#) shows the registers configuration for self-start mode: standalone unmanaged switch sub-mode when PS\_OP\_MD = 01<sub>B</sub>.

**Table 12 Registers Configuration for Self-start Mode: Standalone Unmanaged Switch Sub-Mode**

Register	Field	Description	Note
<a href="#">GPHY0_GPS</a>	Bit 1 to 0	= PS_SUBTYPE_MD[4:3]	LED Display Mode
<a href="#">GPHY1_GPS</a>	Bit 1 to 0	= PS_SUBTYPE_MD[4:3]	LED Display Mode
<a href="#">GPHY2_GPS</a>	Bit 1 to 0	= PS_SUBTYPE_MD[4:3]	LED Display Mode
<a href="#">GPHY3_GPS</a>	Bit 1 to 0	= PS_SUBTYPE_MD[4:3]	LED Display Mode
<a href="#">GPIO_ALTSEL0</a>	Bit 5 to 4	=11 <sub>B</sub>	Enable PWLED alternate function on GPIO7 Enable Light alternate function on GPIO6
<a href="#">GPIO_ALTSEL1</a>	Bit 5 to 4	=11 <sub>B</sub>	Enable PWLED alternate function on GPIO7 Enable Light alternate function on GPIO6
<a href="#">GPIO_PUDEN</a>	Bit 5 to 4	=00 <sub>B</sub>	Disable PWLED and LIGHT pin pull up and pull down
<a href="#">GPIO_OUT</a>	Bit 5	= 1 <sub>B</sub>	Turn on Power LED
<a href="#">GPIO_DRIVE0_CFG</a>	Bit 5	= 1 <sub>B</sub>	Change PWLED drive strength to 12 mA
<a href="#">GPIO2_ALTSEL0</a>	All field	Depends on LED mode of pin strapping	Configured according to <a href="#">Table 14</a>
<a href="#">GPIO2_PUDEN</a>	All field	Depends in LED mode of pin strapping	Configured according to <a href="#">Table 14</a>
<a href="#">GPIO2_DRIVE1_CFG</a>	All field	Depends in LED mode of pin strapping	Configured according to <a href="#">Table 14</a>
<a href="#">MII_CFG_5</a>	Bit 14:13	When PS_SUBTYPE_MD[0] is 1 <sub>B</sub> : =10 <sub>B</sub>	Enable RGMII5 interface according to pin strap

**Functional Description**
**Table 12 Registers Configuration for Self-start Mode: Standalone Unmanaged Switch Sub-Mode**

Register	Field	Description	Note
<b>PHY_ADDR_5</b>	All fields	When PS_SUBTYPE_MD[2] is 1 <sub>B</sub> and PS_SUBTYPE_MD[0] is 1 <sub>B</sub> : = 32A5 <sub>H</sub>	For RGMII5 interface, force link on, speed is 1 Gbps, full duplex, pause enable according to pin strap.
GSWIP PCE_PCTRL_2 for Port 3	All Field	=0001 <sub>H</sub>	Enable higher priority for port 3
GSWIP PCE_PCTRL_2 for Port 4	All Field	=0001 <sub>H</sub>	Enable higher priority for port 4
BM_WRED_GTH_0	All Fields	=0100 <sub>H</sub>	Global watermark is 256 segments. Remaining 256 segments are for buffer reservation
BM_WRED_GTH_1	All Fields	=0100 <sub>H</sub>	Global watermark is 256 segments. Remaining 256 segments are for buffer reservation
PCE_PMAP_2	All Fields	=006F <sub>H</sub>	Only port 4 is disabled
PCE_PMAP_3	All Fields	=006F <sub>H</sub>	Only port 4 is disabled
MAC_CTRL_4 (for each port)	All Fields	=1494 <sub>H</sub>	Enable EEE LPI Mode for each port
SDMA_PFCTHR8 (for each port)	All Fields	=0018 <sub>H</sub>	Configure backpressure watermark for each port
SDMA_PFCTHR9 (for each port)	All Fields	=001E <sub>H</sub>	Configure backpressure watermark for each port
SDMA_FCTHR1	All Fields	=03FF <sub>H</sub>	Configure tail drop watermark
SDMA_FCTHR2	All Fields	=03FF <sub>H</sub>	Configure tail drop watermark
SDMA_FCTHR3	All Fields	=03FF <sub>H</sub>	Configure tail drop watermark
SDMA_FCTHR4	All Fields	=03FF <sub>H</sub>	Configure tail drop watermark
Buffer Reservation for each queue	All Fields	=001E <sub>H</sub>	Buffer Reservation for each queue is 30 segments
WRED green min/max for each queue	All Fields	=03FF <sub>H</sub>	Configure WRED green min/max for each queue
Queue weight for each queue	All Fields	=FFFF <sub>H</sub>	Enable strict priority
<b>GSWIP_CFG</b>	All Fields	=8000 <sub>H</sub>	Enable GSWIP and all ports

**Functional Description**

**Table 13** shows the registers configuration for self-start mode: managed switch sub-mode when PS\_OP\_MD = 1x<sub>B</sub>.

**Table 13 Registers Configuration for Self-start Mode: Managed Switch Sub-Mode**

Register	Field	Description	Note
Following Configurations when PS_OP_MD is "11"			
<b>SMDIO_CFG</b>	Bit 8 to 4	When PS_SUBTYPE_MD[1:0] is 0: = 0 <sub>H</sub> When PS_SUBTYPE_MD[1:0] is 1: = 4 <sub>H</sub> When PS_SUBTYPE_MD[1:0] is 2: = 10 <sub>H</sub> When PS_SUBTYPE_MD[1:0] is 3: = 1F <sub>H</sub>	Configure SMDIO Address
Following Configurations when PS_OP_MD is "10"			
<b>SSPI_CFG</b>	Bit 15	=~PS_SUB_MD[0]	SDO Driving Edge Selection
<b>SSPI_CFG</b>	Bit 14	=~PS_SUB_MD[1]	SDI Sampling Edge Selection
<b>SSPI_CFG</b>	Bit 0	=1 <sub>B</sub>	Enable SSPI
<b>GPIO_ALTSEL0</b>	Bit 5 to 2	=1111 <sub>B</sub>	Change GPIO to alternate function SSPI
<b>GPIO_ALTSEL1</b>	Bit 5 to 2	=0000 <sub>B</sub>	Change GPIO to alternate function SSPI
Configurations when PS_OP_MD is "1X"			
<b>MII_CFG_5</b>	Bit 14:13	=10 <sub>B</sub>	Enable RGMII5 interface
<b>PHY_ADDR_5</b>	All fields	= 32A5 <sub>H</sub>	For RGMII5 interface, force link on, speed is 1 Gbps, full duplex, pause enable
<b>PCDU_5</b>	Bit 9:7	When PS_SUBTYPE_MD[4] is 1 <sub>B</sub> : = 4	Setting RGMII RX delay to 2ns
<b>PCDU_5</b>	Bit 2:0	When PS_SUBTYPE_MD[3] is 1 <sub>B</sub> : = 4	Setting RGMII TX delay to 2ns
<b>PHY_ADDR_4</b>	All fields	= 32A4 <sub>H</sub>	Force Port 4 link speed to 1 Gbps or above, pause enable, link on, full duplex
<b>NCO_CTRL</b>	Bit 3:1	When PS_SUBTYPE_MD[2] is 1 <sub>B</sub> =111 <sub>B</sub>	Set SGMII to 2.5 Gbps Mode according to pin strapping
<b>RST_REQ</b>	All field	= 0F <sub>H</sub>	Remove reset for SGMII.
<b>SGMII_PHY_HWBU_CTRL</b>	All Fields	=0009 <sub>H</sub>	Activate hardware bring up FSM
<b>SGMII_PHY_STATUS</b>	All Fields	Read wait until bit [11:7] =7	Check whether HWFSM was brought up correctly
<b>SGMII_TBI_TBICTL</b>	All Fields	=0033 <sub>H</sub>	Initialize TBI module keep TBI module enabled
<b>SGMII_TBI_TBICTL</b>	All Fields	=0032 <sub>H</sub>	Put TBI module out of init state and keep TBI module enabled
<b>SGMII_PCS_TXB_CTL</b>	All Fields	=0003 <sub>H</sub>	Initialize TX BUFFER
<b>SGMII_PCS_TXB_CTL</b>	All Fields	=0001 <sub>H</sub>	TX BUFFER running

**Functional Description**
**Table 13 Registers Configuration for Self-start Mode: Managed Switch Sub-Mode (cont'd)**

Register	Field	Description	Note
<b>SGMII_PCS_RXB_CTL</b>	All Fields	=0003 <sub>H</sub>	Initialize RX BUFFER
<b>SGMII_PCS_RXB_CTL</b>	All Fields	=0001 <sub>H</sub>	RX BUFFER running
<b>SGMII_TBI_ANEGCTL</b>	All Fields	=00F0 <sub>H</sub>	RX BUFFER running
<b>SGMII_TBI_LPSTAT</b>	All Fields	=0021 <sub>H</sub>	Force to full duplex and 1 or 2.5 Gbps speed
BM_WRED_GTH_0	All Fields	=0100 <sub>H</sub>	Global watermark is 256 segments. Remaining 256 segments are for buffer reservation
BM_WRED_GTH_1	All Fields	=0100 <sub>H</sub>	Global watermark is 256 segments. Remaining 256 segments are for buffer reservation
MAC_CTRL_4 (for each port)	All Fields	=1494 <sub>H</sub>	Enable EEE LPI Mode for each port
SDMA_PFCTHR8 (for each port)	All Fields	=0018 <sub>H</sub>	Configure backpressure watermark for each port
SDMA_PFCTHR9 (for each port)	All Fields	=001E <sub>H</sub>	Configure backpressure watermark for each port
SDMA_FCTHR1	All Fields	=03FF <sub>H</sub>	Configure tail drop watermark
SDMA_FCTHR2	All Fields	=03FF <sub>H</sub>	Configure tail drop watermark
SDMA_FCTHR3	All Fields	=03FF <sub>H</sub>	Configure tail drop watermark
SDMA_FCTHR4	All Fields	=03FF <sub>H</sub>	Configure tail drop watermark
Buffer Reservation for each queue	All Fields	=001E <sub>H</sub>	Buffer Reservation for each queue is 30 segments
WRED green min/max for each queue	All Fields	=03FF <sub>H</sub>	Configure WRED green min/max for each queue
Queue weight for each queue	All Fields	=FFFF <sub>H</sub>	Enable strict priority
<b>GSWIP_CFG</b>	All Fields	=8000 <sub>H</sub>	Enable GSWIP and all ports



**Table 14 LED Status VS LED Mode**

LED Mode	LEDx0	LEDx1	LEDx2	Configuration
0	10 Mbps link activity Blinking frequency: 4 Hz Single color or dual color	100 Mbps Link Activity Blinking frequency: 4 Hz Single color or dual color	1000 Mbps link activity Blinking frequency: 4 Hz Single color or dual color	<b>GPIO2_ALTSEL0</b> = 7FFF <sub>H</sub> <b>GPIO2_PUDEN</b> = 4000 <sub>H</sub> <b>GPIO2_DRIVE1_CFG</b> = 7FFF <sub>H</sub>
1	Link Single color or dual color	Activity Blinking depends on packet rate Single color or dual color	GPIO	<b>GPIO2_ALTSEL0</b> = 43FF <sub>H</sub> <b>GPIO2_PUDEN</b> = 7C00 <sub>H</sub> <b>GPIO2_DRIVE1_CFG</b> = 03FF <sub>H</sub>
2	Link activity Blinking frequency: 4 Hz Single color or dual color	100 Mbps Single color or dual color	1000 Mbps Single color or dual color	<b>GPIO2_ALTSEL0</b> = 7FFF <sub>H</sub> <b>GPIO2_PUDEN</b> = 4000 <sub>H</sub> <b>GPIO2_DRIVE1_CFG</b> = 7FFF <sub>H</sub>
3	10 Mbps or 100 Mbps link activity Blinking frequency: 4 Hz Single color or dual color	1000 Mbps link activity Blinking frequency: 4 Hz Single color or dual color	GPIO	<b>GPIO2_ALTSEL0</b> = 43FF <sub>H</sub> <b>GPIO2_PUDEN</b> = 7C00 <sub>H</sub> <b>GPIO2_DRIVE1_CFG</b> = 03FF <sub>H</sub>

#### EEPROM Detection Procedure (PS\_NOWAIT = 1<sub>B</sub>)

Boot loader configures the registers in the same way as Self-start mode procedure first (as shown in [Self-start Mode Procedure \(PS\\_NOWAIT = 1<sub>B</sub>\)](#)). After that, SPI master uses default low speed clock and 24-bit address mode to start. It uses SPI master manual mode and start to read the first six addresses of EEPROM. When the value in **MSPI\_DIN23** = 010101XX010101XX<sub>B</sub>, then most likely valid flash is attached. The address mode (**ADDRMD** in **MSPI\_CFG**) is set to the lower 2 bits of **MSPI\_DIN23**. After that, with the new addressing mode, read address 6 and 7 of the EEPROM. When the value of the address 6 is 10101010<sub>B</sub>, then it is confirmed that the flash is detected. Configure SPI master clock frequency (**CLKDIV** in **MSPI\_CFG**) to the value in the address 7 of the EEPROM. Finally the configuration in EEPROM is executed by boot loader.

#### EEPROM Applications

Connecting an external EEPROM is intentionally used to enable customers implementing systems without any management entity or STA. In such a system there is no STA driving the management interface and thus neither control nor configuration information is transferred as such. Also it is not possible to configure all functionality of the Gigabit Ethernet Switch solely using the pin-strapping interface. In such applications, the external EEPROM provides a low cost and efficient solution to store the whole configuration information required to be loaded by the Gigabit Ethernet Switch during startup.

The Gigabit Ethernet Switch supports EEPROM devices by means of SPI master interface.

In the simplest application the EEPROM is only used to store the configuration information of the Gigabit Ethernet Switch. This configuration is loaded by the Gigabit Ethernet Switch directly after reset or power-up when an EEPROM has been detected.

#### EEPROM Content

[Table 22](#) shows the EEPROM contents, which include EEPROM type record and configuration content records.

The start address for EEPROM type record is 0. There are 8 bytes in EEPROM type record. [Table 15](#) shows the format of EEPROM type record.

The start address for EEPROM configuration content record is 8.

[Table 22](#) shows the overall EEPROM content format.

**Table 16** to **Table 21** define configuration content record. It consists of multiple access blocks. For each access block, there are the following elements:

- Number of configuration entries. When it is 0, this is the last access block and no valid configuration for the last access block. When it is non-0, it represents the number of configuration entries in the current access block.
- Access Type
  - When it is 0000<sub>H</sub>, then the current access type is incremental access type. Only the address for the first access entry is stored in the EEPROM. See **Table 16**.
  - When it is FFFF<sub>H</sub>, then the current access type is single access without write enable type. The address for each access entry is stored in the EEPROM. See **Table 17**.
  - When it is 6666<sub>H</sub>, then the current access type is single access with write enable type. The address and the write enable for each access entry is stored in the EEPROM. This requires read-modify-write operation for each access entry. See **Table 18**.
  - When it is 9999<sub>H</sub>, then the current access type is “run self-start mode configuration”. The configuration is listed in **Self-start Mode Procedure (PS\_NOWAIT = 1<sub>B</sub>)**. See **Table 19**.
  - When it is 5555<sub>H</sub>, then the current access type is wait until true access. Boot loader polls a 16-bit register until its value after mask matches with the expected data. See **Table 20**.
  - When it is AAAA<sub>H</sub>, then the current access type is conditional jump access. Boot load reads a 16-bit register, when its value after mask matches with the expected data, boot loader jumps to a new location. The new location relative offset to the current address is programmable in the block. See **Table 21**.
- Optional: 16-bit Bus Address
- Single or Multiple 16-bit Data to be written or read
- Optional: 16-bit mask for read or enable for write
- Optional: The offset of the next address from the current address

**Table 15 EEPROM Type Record**

Address <sup>1)</sup>	Content								Comment
	7	6	5	4	3	2	1	0	
0	0	1	0	1	0	1	EEPROM Address Mode		Identify EEPROM and EEPROM Address Mode EEPROM Address Mode: <b>Constants</b> 00 <sub>B</sub> <b>9-bit</b> SPI master interface is in 9-bit address mode. 01 <sub>B</sub> <b>16-bit</b> SPI master interface is in 16/17-bit address mode. 10 <sub>B</sub> <b>24-bit</b> SPI master interface is in 24-bit address mode. 11 <sub>B</sub> <b>24H-bit</b> SPI master interface is in 24-bit high speed address mode.
1	0	1	0	1	0	1	EEPROM Address Mode		
2	0	1	0	1	0	1	EEPROM Address Mode		
3	0	1	0	1	0	1	EEPROM Address Mode		
4	1	0	1	0	1	0	1	0	Check Value
5	CLKDIV								Master SPI Clock is 62.5 MHz/(CLKDIV+1)
6	0	0	0	0	0	0	0	0	
7	0	0	0	0	0	0	0	0	

1) This is the byte-wise EEPROM address. This scheme is independent of the used address mode.

**Table 16 Configuration Content Record: Incremental Access Format**

Address <sup>1)</sup>	Content								Comment
	7	6	5	4	3	2	1	0	
Incremental Access Format									
0	NOCE[15:8]								Number of Configuration Entries. A value of 00 <sub>H</sub> corresponds to 0 entry. A value of FFFF <sub>H</sub> corresponds to 65535 entries.
1	NOCE[7:0]								
2	0	0	0	0	0	0	0	0	0000 <sub>H</sub> = Incremental Access Type
3	0	0	0	0	0	0	0	0	
4	ADDR(0)[15:8]								PDI Bus Address and Configuration-Data for Entry 0
5	ADDR(0)[7:0]								
6	DATA(0)[15:8]								
7	DATA(0)[7:0]								
8	DATA(1)[15:8]								PDI Bus Configuration-Data Word for Entry 1
9	DATA(1)[7:0]								
...	...								...
6+2*(NOCE-1)	DATA(NOCE-1)[15:8].								PDI Bus Configuration-Data Word for Entry #NOCE -1
7+2*(NOCE-1)	DATA(NOCE-1)[7:0]								

1) This is the byte-wise EEPROM address. This scheme is independent of the used address mode.

**Table 17 Configuration Content Record: Single Access without Write Enable Format**

Address <sup>1)</sup>	Content								Comment
	7	6	5	4	3	2	1	0	
Single Access Without Write Enable Format									
0	NOCE[15:8]								Number of Configuration Entries. A value of 00 <sub>H</sub> corresponds to 0 entry. A value of FFFF <sub>H</sub> corresponds to 65535 entries.
1	NOCE[7:0]								
2	1	1	1	1	1	1	1	1	FFFF <sub>H</sub> = Single Access Without Write Enable Type
3	1	1	1	1	1	1	1	1	
4	ADDR(0)[15:8]								PDI Bus Address and Configuration-Data for Entry 0
5	ADDR(0)[7:0]								
6	DATA(0)[15:8]								
7	DATA(0)[7:0]								
8	ADDR(1)[15:8]								PDI Bus Address and Configuration-Data for Entry 1
9	ADDR(1)[7:0]								
10	DATA(1)[15:8]								
11	DATA(1)[7:0]								
...	...								...

**Table 17 Configuration Content Record: Single Access without Write Enable Format (cont'd)**

Address <sup>1)</sup>	Content								Comment
	7	6	5	4	3	2	1	0	
4 + 4*(NOCE-1)	ADDR(NOCE-1)[15:8]								PDI Bus Address and Configuration-Data for Entry #NOCE-1
5 + 4*(NOCE-1)	ADDR(NOCE-1)[7:0]								
6 + 4*(NOCE-1)	DATA(NOCE-1)[15:8]								
7 + 4*(NOCE-1)	DATA(NOCE-1)[7:0]								

1) This is the byte-wise EEPROM address. This scheme is independent of the used address mode.

**Table 18 Configuration Content Record: Single Write Access with Write Enable Format**

Address <sup>1)</sup>	Content								Comment
	7	6	5	4	3	2	1	0	
Single Access With Write Enable Format									
0	NOCE[15:8]								Number of Configuration Entries. A value of 00 <sub>H</sub> corresponds to 0 entry. A value of FFFF <sub>H</sub> corresponds to 65535 entries.
1	NOCE[7:0]								
2	0	1	1	0	0	1	1	0	6666 <sub>H</sub> = Single Access With Write Enable Type
3	0	1	1	0	0	1	1	0	
4	ADDR(0)[15:8]								PDI Bus Address, Configuration-Data and Write Enable for Entry 0 This requires read-modify-write. Write Enable
5	ADDR(0)[7:0]								
6	DATA(0)[15:8]								<b>Constants</b> 0 <sub>B</sub> <b>DIS</b> Don't Modify the Bit. 1 <sub>B</sub> <b>EN</b> Modify the Bit.
7	DATA(0)[7:0]								
8	WE(0)[15:8]								PDI Bus Address, Configuration-Data and Write Enable for Entry 1 This requires read-modify-write. Write Enable <b>Constants</b> 0 <sub>B</sub> <b>DIS</b> Don't Modify the Bit. 1 <sub>B</sub> <b>EN</b> Modify the Bit.
9	WE(0)[7:0]								
10	ADDR(1)[15:8]								PDI Bus Address, Configuration-Data and Write Enable for Entry 1 This requires read-modify-write. Write Enable <b>Constants</b> 0 <sub>B</sub> <b>DIS</b> Don't Modify the Bit. 1 <sub>B</sub> <b>EN</b> Modify the Bit.
11	ADDR(1)[7:0]								
12	DATA(1)[15:8]								<b>Constants</b> 0 <sub>B</sub> <b>DIS</b> Don't Modify the Bit. 1 <sub>B</sub> <b>EN</b> Modify the Bit.
13	DATA(1)[7:0]								
14	WE(1)[15:8]								PDI Bus Address, Configuration-Data and Write Enable for Entry #NOCE-1 This requires read-modify-write. Write Enable <b>Constants</b> 0 <sub>B</sub> <b>DIS</b> Don't Modify the Bit. 1 <sub>B</sub> <b>EN</b> Modify the Bit.
15	WE(1)[7:0]								
...	...								...
4 + 6*(NOCE-1)	ADDR(NOCE-1)[15:8]								PDI Bus Address, Configuration-Data and Write Enable for Entry #NOCE-1 This requires read-modify-write. Write Enable <b>Constants</b> 0 <sub>B</sub> <b>DIS</b> Don't Modify the Bit. 1 <sub>B</sub> <b>EN</b> Modify the Bit.
5 + 6*(NOCE-1)	ADDR(NOCE-1)[7:0]								
6 + 6*(NOCE-1)	DATA(NOCE-1)[15:8]								
7 + 6*(NOCE-1)	DATA(NOCE-1)[7:0]								
8 + 6*(NOCE-1)	WE(NOCE-1)[15:8]								PDI Bus Address, Configuration-Data and Write Enable for Entry #NOCE-1 This requires read-modify-write. Write Enable <b>Constants</b> 0 <sub>B</sub> <b>DIS</b> Don't Modify the Bit. 1 <sub>B</sub> <b>EN</b> Modify the Bit.
9 + 6*(NOCE-1)	WE(NOCE-1)[7:0]								

1) This is the byte-wise EEPROM address. This scheme is independent of the used address mode.

**Table 19 Configuration Content Record: Run Self-start Mode Configuration Format**

Address <sup>1)</sup>	Content								Comment
	7	6	5	4	3	2	1	0	
Run Self Start Mode Configuration Format									
0	NOCE[15:8]								Any Value /= 0
1	NOCE[7:0]								
2	1	0	0	1	1	0	0	1	9999 <sub>H</sub> = Run Self Start Mode Configuration
3	1	0	0	1	1	0	0	1	

1) This is the byte-wise EEPROM address. This scheme is independent of the used address mode.

**Table 20 Configuration Content Record: Wait Until True Format**

Address <sup>1)</sup>	Content								Comment
	7	6	5	4	3	2	1	0	
Wait Until True Access Format									
0	NOCE[15:8]								Any Value /= 0
1	NOCE[7:0]								
2	0	1	0	1	0	1	0	1	5555 <sub>H</sub> = Wait Until True Access
3	0	1	0	1	0	1	0	1	
4	ADDR[15:8]								Register Address
5	ADDR[7:0]								
6	DATA[15:8]								Expected Data
7	DATA[7:0]								
8	MASK[15:8]								Comparison Mask <b>Constants</b> 0 <sub>B</sub> <b>DIS</b> Don't Compare. 1 <sub>B</sub> <b>EN</b> Compare.
9	MASK[7:0]								

1) This is the byte-wise EEPROM address. This scheme is independent of the used address mode.

**Table 21 Configuration Content Record: Conditional Jump Access Format**

Address <sup>1)</sup>	Content								Comment
	7	6	5	4	3	2	1	0	
Conditional Jump Access Format									
0	NOCE[15:8]								Any Value /= 0
1	NOCE[7:0]								
2	1	0	1	0	1	0	1	0	AAAA <sub>H</sub> = Conditional Jump Access
3	1	0	1	0	1	0	1	0	
4	ADDR[15:8]								Register Address
5	ADDR[7:0]								
6	DATA[15:8]								Expected Data
7	DATA[7:0]								

**Table 21 Configuration Content Record: Conditional Jump Access Format (cont'd)**

Address <sup>1)</sup>	Content								Comment
	7	6	5	4	3	2	1	0	
8	MASK[15:8]								Comparison Mask
9	MASK[7:0]								<b>Constants</b> 0 <sub>B</sub> <b>DIS</b> Don't Compare. 1 <sub>B</sub> <b>EN</b> Compare.
A	OFFSET[15:8]								Next Address =
B	OFFSET[7:0]								Next EEPROM Address of OFFSET[7:0] + OFFSET[15:0]*2 OFFSET is a signed integer.

1) This is the byte-wise EEPROM address. This scheme is independent of the used address mode.

**Table 22 EEPROM Content Format**

Address Range	Content	Comment
0 to 7	EEPROM Type Record	Identify EEPROM Address Mode and Speed
8 to ...	Configuration Content Record	Boot loader

### Pin Strapping

This section describes the configuration of the device by means of pin strapping. As can be seen, the pin strapping functionality shares the LED pins, SPI and TDO signals.

Internal pull up for the pin strapping must be disabled after reset.

[Table 23](#) and [Table 24](#) list the pin-strapping mapping.

All GPIO pins are sampled at the rising edge of HRSTN and stored in registers PS0 and PS1. These two registers can only be reset by hardware reset.

All pin strapping signals must have a stable level during reset to ensure correct latching with the rising HRSTN edge. Take special precautions when SSPI is used as host interface with a multi-client bus, since other clients could still drive SSSDO pin during reset of GSW140 which could corrupt pin strapping of PS\_XTAL.

**Table 23 Functional Mode Pin Strapping**

Pin Strap	Description
PS0(3): UTXD	PS_XTAL
PS0(7): MSDO	PS_OP_MD1
PS0(8): MSCK	PS_SUBTYPE_MD3
PS0(9): MSCS	PS_SUBTYPE_MD4
PS1(10): LED02	PS_NOWAIT
PS1(11): LED12	PS_OP_MD0
PS1(12): LED22	PS_SUBTYPE_MD0
PS1(13): LED32	PS_SUBTYPE_MD1
PS1(14): LED42	PS_SUBTYPE_MD2

**Table 24 Pin Strapping Description**

Pin Strapping Signals	Description
PS_XTAL	<b>XTAL Frequency</b> This is to specify the frequency of XTAL. 0 <sub>B</sub> <b>40 MHz</b> 40 MHz 1 <sub>B</sub> <b>25 MHz</b> 25 MHz  <i>Note: When the SSPI interface is used as host interface in OPMD2 mode with a multi-client configuration on the bus, activity on the SSDO pin (= PS_XTAL) driven by other clients occurring when HRSTN is active low must be prevented, since this could cause latching an incorrect pin strapping configuration for PS_XTAL.</i>
PS_NOWAIT	<b>No Wait for External Master Trigger</b> This is to specify whether the boot loader waits for the external master to trigger the start. 0 <sub>B</sub> <b>WAIT</b> Boot loader waits for external master to trigger the start of GPHY and GSWIP. 1 <sub>B</sub> <b>NOWAIT</b> Boot loader starts GPHY and GSWIP after the initialization is done.
PS_OP_MD	<b>Operation Mode</b> This is to specify the chip operation mode. 00 <sub>B</sub> <b>OPMD0</b> Reserved 01 <sub>B</sub> <b>OPMD1</b> Standalone Unmanaged Switch. 10 <sub>B</sub> <b>OPMD2</b> Managed Switch with SPI Slave Interface. 11 <sub>B</sub> <b>OPMD3</b> Managed Switch with MDIO Slave Interface.
PS_SUBTYPE_MD	<b>SUB Type Mode</b> See <a href="#">Table 25</a> .

**Table 25 SUBTYPE Mode Configuration**

Operation Mode	SUBTYPE Mode
OPMD1: Standalone Unmanaged Switch	PS_SUBTYPE_MD[4:3]: 00 <sub>B</sub> <b>MD0</b> LED Display Mode 0 01 <sub>B</sub> <b>MD1</b> LED Display Mode 1 10 <sub>B</sub> <b>MD2</b> LED Display Mode 2 11 <sub>B</sub> <b>MD3</b> LED Display Mode 3
	PS_SUBTYPE_MD[2]: 0 <sub>B</sub> <b>AUTO</b> Auto-polling to determine RGMII5 link status. 1 <sub>B</sub> <b>FORCE</b> Force RGMII5 link speed to 1G, full duplex and on.
	PS_SUBTYPE_MD[1]: Reserved
	PS_SUBTYPE_MD[0]: 0 <sub>B</sub> <b>DIS</b> Disable RGMII5 interface. 1 <sub>B</sub> <b>EN</b> Enable RGMII5 interface.

**Table 25 SUBTYPE Mode Configuration (cont'd)**

<b>Operation Mode</b>	<b>SUBTYPE Mode</b>
OPMD2: Managed Switch with SPI Slave Interface	PS_SUBTYPE_MD[4]: 0 <sub>B</sub> <b>RXDLY0</b> RGMII Path RX Delay is 0 ns. 1 <sub>B</sub> <b>RXDLY2</b> RGMII Path RX Delay is 2 ns.
	PS_SUBTYPE_MD[3]: 0 <sub>B</sub> <b>TXDLY0</b> RGMII Path TX Delay is 0 ns. 1 <sub>B</sub> <b>TXDLY2</b> RGMII Path TX Delay is 2 ns.
	PS_SUBTYPE_MD[2]: 0 <sub>B</sub> <b>1G</b> SGMII Interface is 1 Gbps, MAC mode and Auto-neg disabled. 1 <sub>B</sub> <b>2.5G</b> SGMII Interface is 2.5 Gbps, MAC mode and Auto-neg disabled.
	PS_SUBTYPE_MD[1]: SSPI SDI Edge Select 0 <sub>B</sub> <b>RISE</b> Sample at rising edge 1 <sub>B</sub> <b>FALL</b> Sample at falling edge
	PS_SUBTYPE_MD[0] SSPI SDO Edge Select 0 <sub>B</sub> <b>RISE</b> Drive at rising edge 1 <sub>B</sub> <b>FALL</b> Drive at falling edge
	OPMD3: Managed Switch with MDIO Slave Interface
PS_SUBTYPE_MD[3]: 0 <sub>B</sub> <b>TXDLY0</b> RGMII Path TX Delay is 0 ns. 1 <sub>B</sub> <b>TXDLY2</b> RGMII Path TX Delay is 2 ns.	
PS_SUBTYPE_MD[2]: 0 <sub>B</sub> <b>1G</b> SGMII interface is 1 Gbps, MAC mode and Auto-neg disabled. 1 <sub>B</sub> <b>2.5G</b> SGMII Interface is 2.5 Gbps, MAC mode and Auto-neg disabled.	
PS_SUBTYPE_MD[1:0]: 00 <sub>B</sub> <b>0</b> SMDIO Address is 0. 01 <sub>B</sub> <b>4</b> SMDIO Address is 4. 10 <sub>B</sub> <b>16</b> SMDIO Address is 16. 11 <sub>B</sub> <b>31</b> SMDIO Address is 31.	



### 3.2.9 Packet Insertion and Extraction

An external controller is able to insert and extract the packets to/from the switch via port 6 of Gigabit Ethernet switch. When packet insertion/extraction mode is enabled (**PIE** = 1<sub>B</sub>), switch port 6 is connected to packet insertion/extraction module. This mode allows external CPU to insert/extract management/control packets without using RGMII interface.

In packet insertion/extraction mode, port 6 must be configured to 1000 Mbps, full duplex and pause disable mode. The link ok must be forced on.

For TX direction (packet extraction), when there is a new packet available, an interrupt is asserted. Interrupt status is cleared automatically when an external controller read **PKT\_EXT\_READ** register. When the **AVAIL** value is '1', then the data byte in the current read is the first byte of the packet and the data byte in the previous read is the last byte of the previous packet. When **TXEN** value of the read access is 0<sub>B</sub>, then the data byte in the previous read is the last byte of the packet.

An external controller can flush the rest of the packet after reading the packet header in packet extraction direction.

#### Packet Insertion Programming Sequence

- Write **PKT\_INS**:
  - **INSCMD** = 1<sub>B</sub>
  - **RXVD** = 0<sub>B</sub> or 1<sub>B</sub> depending when injecting interframe gap (**RXVD**=0<sub>B</sub>) or other types of data (including preamble, SFD and packet data, **RXVD**=1<sub>B</sub>).
  - **RXD** = the byte to be written.
- Repeat the above step for all the bytes in a packet (including IPG, Preamble, SFD). At least one interframe gap must be inserted so that the MAC can identify the end of packet and the start of the packet. At least one cycle between the two writes to **PKT\_INS** must be met.

#### Packet Extraction Read Programming Sequence

- Wait for interrupt.
- Read **PKT\_EXT\_READ** register.
- When **TXEN** is 1<sub>B</sub>, then the data byte is valid. When **TXEN** is 0<sub>B</sub>, then the data byte is not valid.
- When the previous read **TXEN** = 0<sub>B</sub>, the current read **TXEN** = 1<sub>B</sub> and the current read **AVAIL** = 1<sub>B</sub>, then current read data byte is the first byte of the packet (including preamble and SFD).
- When the previous read **TXEN** = 1<sub>B</sub> and the current read **TXEN** = 0<sub>B</sub> or current read **AVAIL** = 1<sub>B</sub>, then the previous read data byte is the last byte of the packet.
- Repeat reading until **TXEN** = 0<sub>B</sub> or current read **AVAIL** = 1<sub>B</sub> (EOP or SOP is detected). At least one cycle between the read reads to **PKT\_EXT\_READ** must be met.

#### Packet Extraction Flush Programming Sequence

- Write **PKT\_EXT\_CMD** to issue flush command (**FLUSH** = 1<sub>B</sub>).
- Wait for interrupt and check whether **AVAIL** in **PKT\_EXT\_CMD** is set for the next new packet.

### 3.3 LED Controller Function Description

#### 3.3.1 LED

LED pin 10, 20, 30 and TCK are multiplexed with JTAG interface. When TRSTN = '0', these 4 pins are used for GPIO/LED pins. When TRSTN = '1', these 4 pins are used for JTAG interface.

#### 3.3.2 LED Display

Each GPHY has 3 LEDs. The 3rd LED are used for pin strapping in the boot loader. All of them can be used as single color LED or dual color LED. When dual color LED is required in system, it is recommended to use the 3rd LED as one of the dual color LED to ease the pin-strapping circuit. The 3rd LED are used for pin strapping in the Boot ROM code.

Power LED is always in single color mode and multiplexed with GPIO pin. The value of power LED is directly configurable via GPIO output register.

For each LED in single color mode, it is either connecting external LED to ground or connecting external LED to power as shown in [Figure 11](#). It is configurable per LED to one of the mode via `LED_MD_CFG`. For dual color LED, the corresponding field must be set to  $0_b$ . When LED is configured to power mode, then internal LED signal is inverted before feeding to the LED PAD. When LED is configured to power mode, both push-pull and open drain mode are supported via GPIO programming registers.

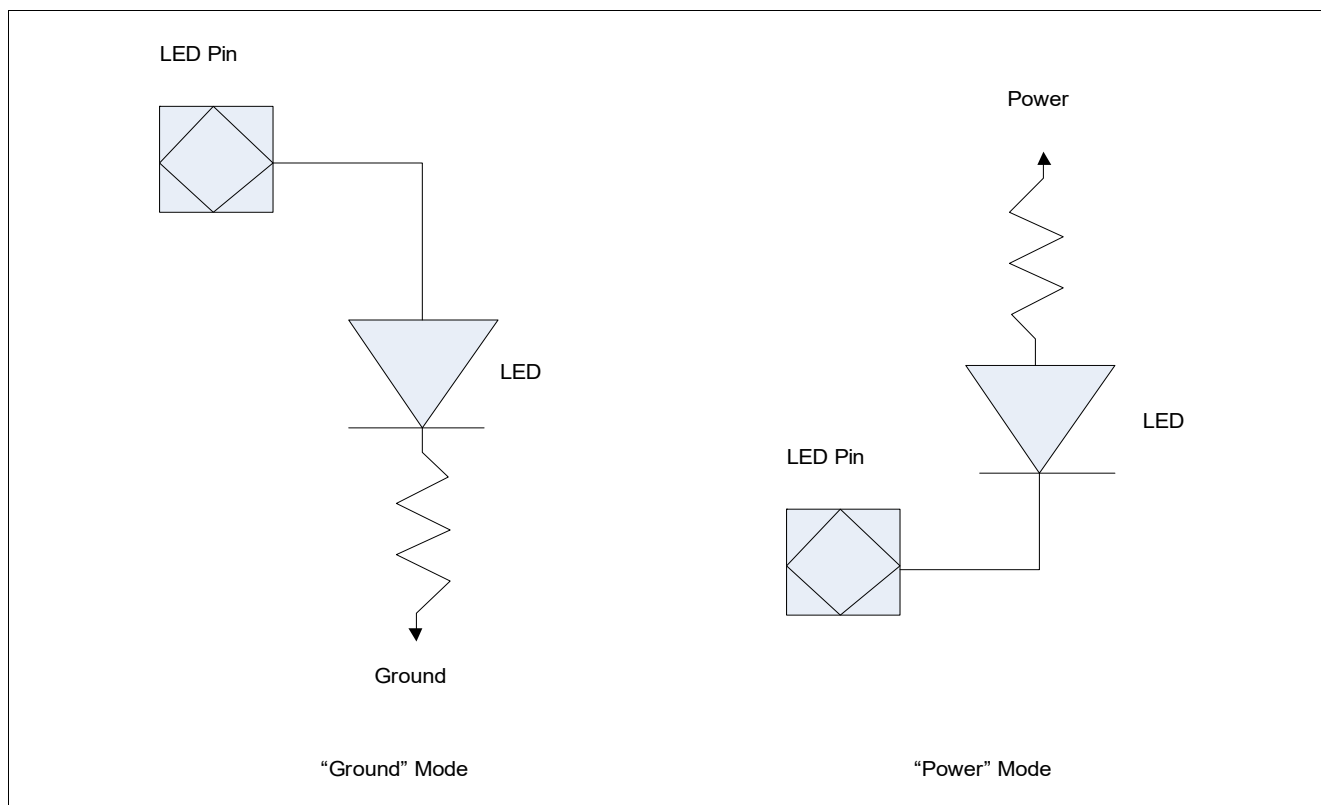


Figure 11 LED Display Mode

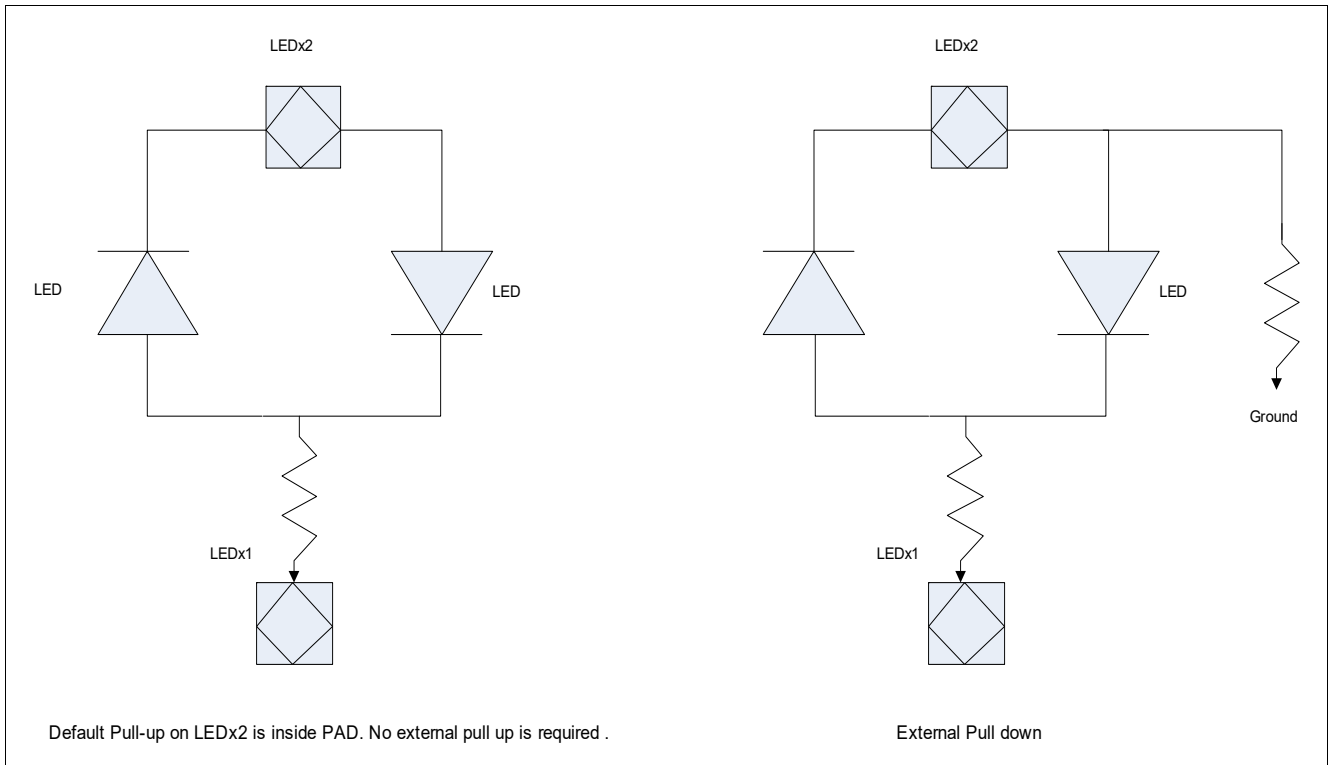


Figure 12 Pin Strapping on Dual Color LED

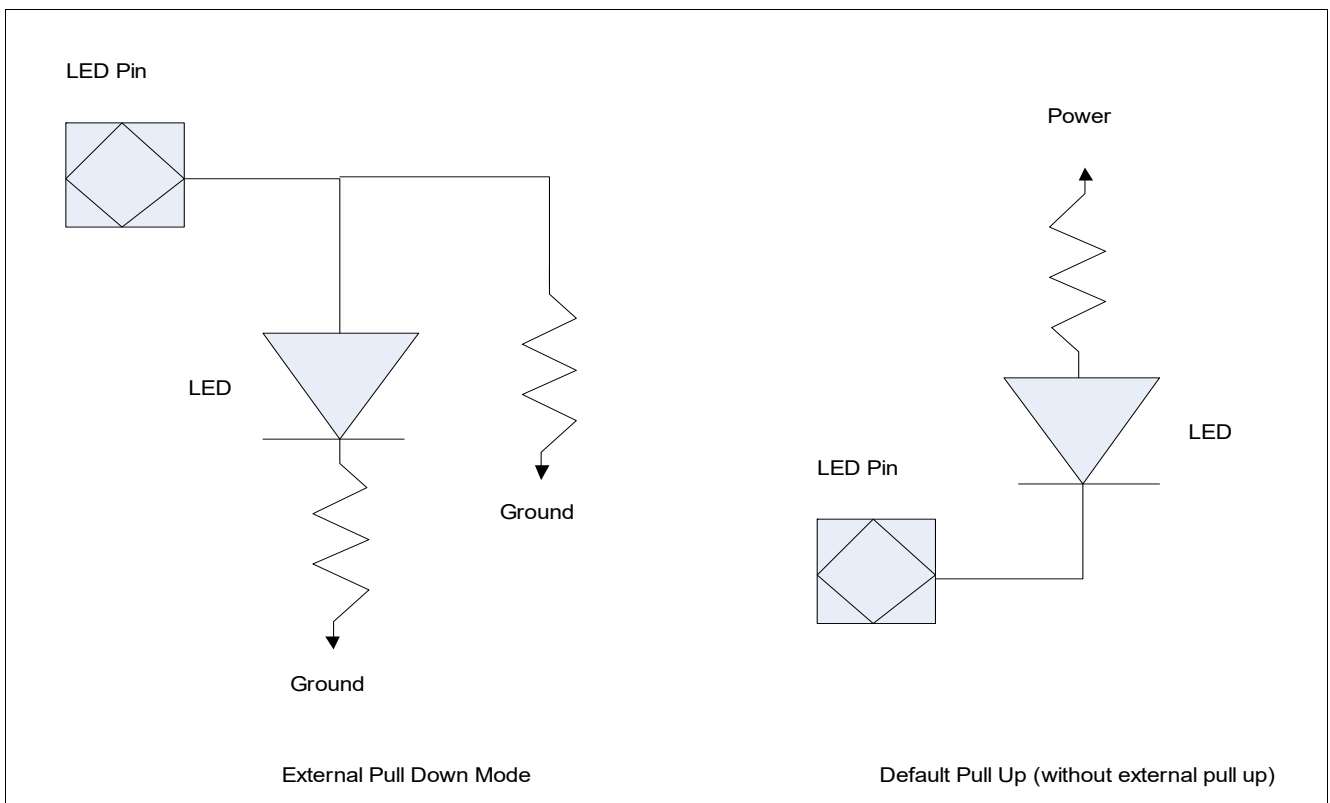


Figure 13 Pin Strapping on Single Color LED

### 3.3.3 LED Brightness Control

There are two brightness control mode. Either one of them can be used. The selection is determined by board design. They must not be used simultaneously.

- 2 Level Brightness Switch Mode
- 16 Level Light Sensor Control Mode

#### Brightness Control

This block controls the brightness of the LED by way of controlling the time duration the LED is ON/OFF, and due to persistence of the eye, LED brightness is perceived. When LED is off, the output is disabled. When LED is on, the output is enabled. Brightness control controls the LED output enable directly.

**Figure 14** shows the brightness control frequency is 100Hz. Each period is divided into 64 slots. LED brightness control is enabled/disabled via [LED\\_BRT\\_CTRL.EN](#).

When LED brightness control is disabled, LED is enabled in all 64 slots.

When LED brightness control is enabled, LED is enabled for consecutive n slots. n is determined by brightness level configured. LED output is disabled in the 64th slot. LED42 pin is in input mode during 64th slot and used to detect the rising/falling edge of external brightness switch input.



**Figure 14 LED Brightness Control By Controlling LED Output Enable/Disable**

#### 2 Level Brightness Switch Mode

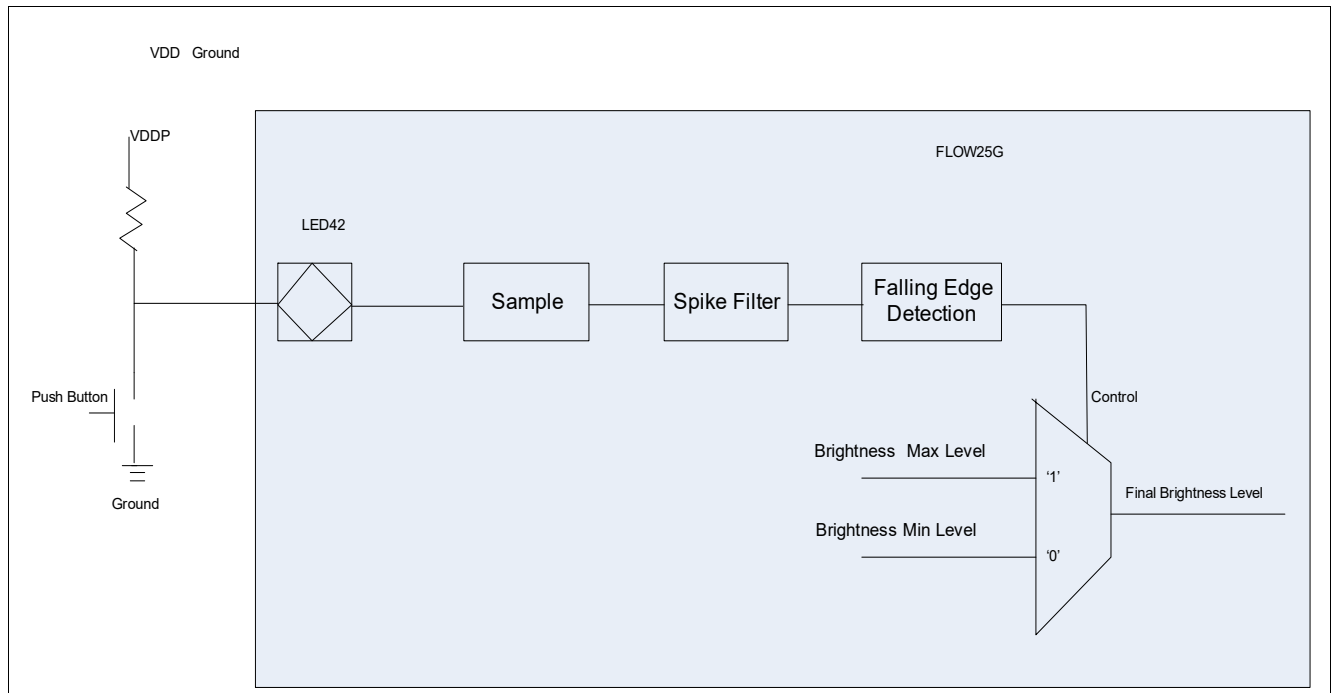
LED42 pin is sampled at slot 63 to detect the toggling. The LED brightness is switched between two configurable brightness level ([LED\\_BRT\\_CTRL.MAXLEVEL](#), [LED\\_BRT\\_CTRL.MINLEVEL](#)).

This can be enabled/disabled via [LED\\_BRT\\_CTRL.2SEWN](#). When 2 level brightness switch mode is disabled, the brightness level is configured via [LED\\_BRT\\_CTRL.MAXLEVEL](#).

The spike on LED42 pin is filtered. Only when the value are stable for two consecutive sample after a change, the edge is considered as detected. The brightness must start with [LED\\_BRT\\_CTRL.MAXLEVEL](#). When LED42 pin is pulled up at pin strapping, then the falling edge of the sampling triggers the brightness toggle. When LED42 pin is pulled down, then the rising edge of the sampling triggers the brightness level toggle. The falling edge or rising edge trigger is selected via [LED\\_BRT\\_CTRL.EDGE](#).

When 2 level brightness switch control is disabled on system board, LED42 pin is either pull up or down externally (depending on pin strap option) to allow there is a constant, untoggled level on LED42 during the sample slot.

When 2 level LED brightness switch control is enabled on system board, an external recess switch is required to connect to LED42 pin.



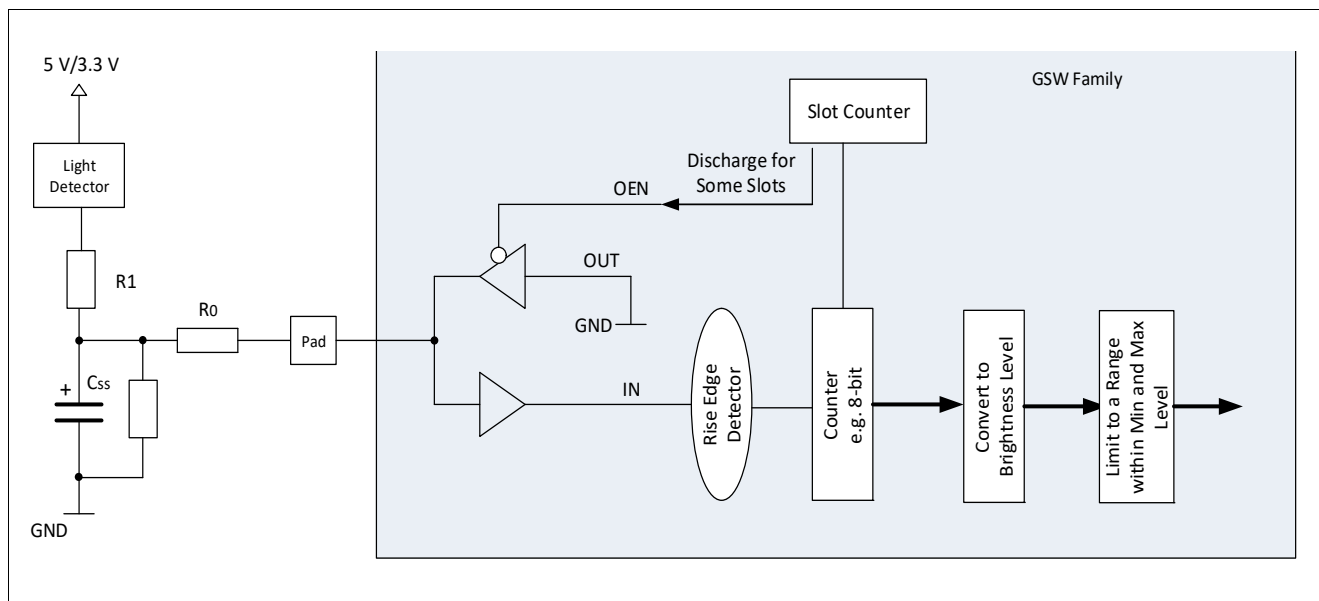
**Figure 15 Direct 2 Level LED Control Enable on System Board (with Pull-Up)**

### 16 Level Light Sensor Control Mode

In this mode, the brightness of LED dynamically varies depending on the light intensity. The light intensity is measured by a light sensor. This approach uses a constant current source (Visible Light Detector) and capacitor. The time it takes for the capacitor to charge to the given threshold voltage is linearly proportional to the charging current. The current is proportional to LUX value. One of GPIO pin is used for this purpose.

The sensing is repeated periodically. The period of the sensing is programmable via [LED\\_LSENS\\_CTRL.PERIOD](#). For each period, there are 256 slots. The first few slots are for discharging circuit. The number of slots for discharging is configurable via [LED\\_LSENS\\_CTRL.TD](#). After the discharging, the rising edge of the GPIO pin is detected. The number of slots from the end of discharging to the slot when the rising edge is detected ( $t - t_d$ ) is used to determine the light condition. There are 16 level of light condition, this 16 level light condition is converted to a 16-bit brightness level. Only when the difference between the sensed brightness level and the current brightness level is more than 1 (exception is when sensed brightness level is 1 and 15), the brightness is adjusted. Only 1 brightness level (+/-) can be adjusted from the current value. The brightness level must be within the range configured within [LED\\_BRT\\_CTRL.MINLEVEL](#), [LED\\_BRT\\_CTRL.MAXLEVEL](#).

When both [LED\\_BRT\\_CTRL.2SEWN](#) and [LED\\_LSENS\\_CTRL.SENS](#) are enabled, the final brightness level is the smaller value of the value determined by sensing logic and by the 2 Level LED switch logic.


**Figure 16 Light Sensing System**

### 3.4 General Purpose Input Output Function Description

**Figure 17** shows a general block diagram of a GPIO pin. Each GPIO pin is equipped with a number of control and data bits, enabling very flexible usage of the line.

Each GPIO pin can be configured for input or output operation. In input mode (default after reset), the output driver is switched off (high-impedance). The actual voltage level present at the port pin is translated into a logic 0 or 1 via a Schmitt-Trigger device and can be read via the read only register GPIO\_IN. In output mode, the output driver is activated and drives the value supplied through the multiplexer to the port pin. Switching between input and output mode is accomplished through the GPIO\_DIR register, which enables or disables the output driver.

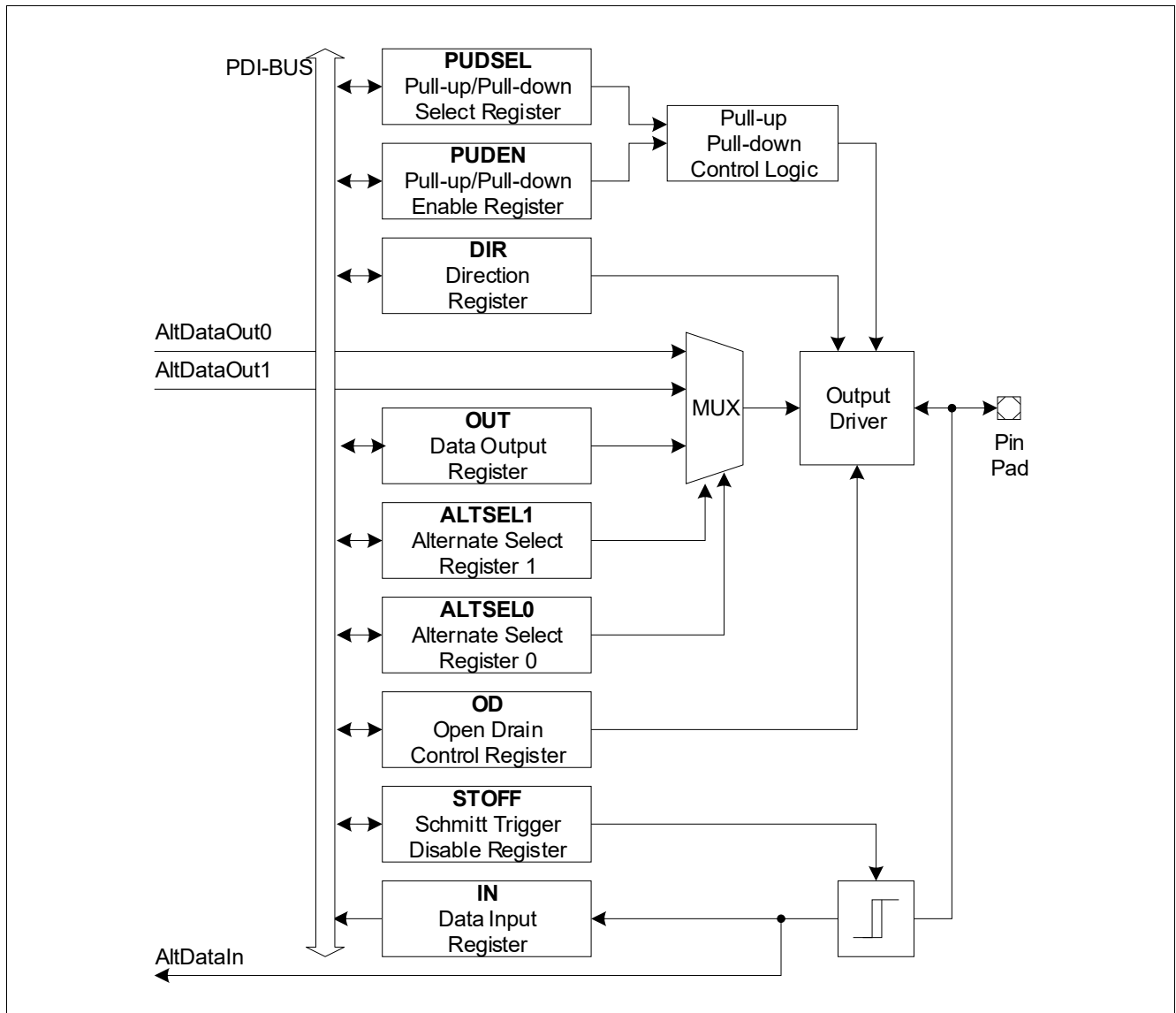
The output multiplexer in front of the output driver enables the port output function to be used for different purposes. When the pin is used as general purpose output, the multiplexer is switched by software to the Output Data Register GPIO\_OUT. Software can set or clear the bit in GPIO\_OUT, and therefore it can directly influence the state of the port pin. When the on-chip peripheral units use the pin for output signals, alternate output lines can be switched via the multiplexer to the output driver circuitry.

Latch GPIO\_IN is provided for input functions of the on-chip peripheral units. Its input is connected to the output of the input Schmitt-Trigger. Further, an input signal can be connected directly to the various inputs of the peripheral units (AltDataIn). The function of the input line from the pin to the input latch GPIO\_IN and to AltDataIn is independent of the port pin operates as input or output. This means that when the port is in output mode, the level of the pin can be read by software via latch GPIO\_IN or a peripheral can use the pin level as an input. This offers additional advantages in an application.

- Each GPIO pin can also be programmed to activate an internal weak pull-up or pull-down device. Register GPIO\_PUDSEL selects whether a pull-up or the pull-down device is activated while register GPIO\_PUDEN enables or disables the pull devices.
- The data written to the output register GPIO\_OUT by software can be used as input data to an on-chip peripheral. This enables, for example, peripheral tests via software without external circuitry. Examples for this can be the triggering of a timer count input, generating an external interrupt, or simulating the incoming serial data stream to a serial port receive input via software.
- When the pin is used as an output, the actual logic level at the pin can be examined through reading latch GPIO\_IN and compared against the applied output level (either applied through software via the output register GPIO\_OUT, or via an alternate output function of a peripheral). This can be used to detect some electrical failures at the pin caused through external circuitry. In addition, software supported arbitration schemes can

be implemented in this way using the open-drain configuration and an external wired-And circuitry. Collisions on the external communication lines can be detected when a logic 1 is output, but a logic 0 is seen when reading the pin value via the input latch GPIO\_IN.

- The output data from a peripheral applied to the pin via an alternate output function can be read through software or used by the same or another peripheral as input data. This enables testing of peripheral functions or provides additional connections between on-chip peripherals via the same pin without external wires.



**Figure 17** General Port Structure

The GPIO pins share with other alternative functions as shown in [Table 6](#) and [Table 7](#).

### 3.4.1 GPIO Alternate Function

GPIO pins share with other alternative functions as shown in [Table 26](#) and [Table 27](#). LED pin 10, 20, 30, and 40 are multiplexed with JTAG interface.

- When TRSTN = '0', these four pins are used for GPIO/ED pins.
- When TRSTN = '1', these four pins are used for JTAG interface.

**Attention: The pin functionality highlighted in bold in [Table 26](#) and [Table 27](#) indicates the functionality after reset in PS\_NOWAIT = 0 mode (wait for external master). In PS\_NOWAIT = 1 mode and also depending on the OPMD mode, the boot loader configures the LED pins as default or as determined by pin-strapping of LED mode. Refer to [Table 14](#).**

**Table 26 GPIO Pin Multiplex Functions**

Port Pin	Pin Functionality	Associated Register/Module	Alternate Function	Direction Control	Pull Up/Down Open Drain Control
<b>MMDIO</b>	<b>GPIO0 used as input (default)</b>	GPIO_IN.0	GPIO_ALTSEL0.0 = 0 GPIO_ALTSEL1.0 = 0	GPIO_DIR.0 = 0	GPIO Registers
	GPIO0 used as output	GPIO_OUT.0		GPIO_DIR.0 = 1	
	GPC0 used as input	GPC	GPIO_ALTSEL0.0 = 1 GPIO_ALTSEL1.0 = 0	GPIO_DIR.0 = 0	GPIO Registers
	GPC0 used as output			GPIO_DIR.0 = 1	
	EXINT0 used as input	INT	GPIO_ALTSEL0.0 = 0 GPIO_ALTSEL1.0 = 1	GPIO_DIR.0 = 0	GPIO Registers
	EXINT0 used as output			GPIO_DIR.0 = 1	
	Master MDIO used as input/output	Master MDIO	GPIO_ALTSEL0.0 = 1 GPIO_ALTSEL1.0 = 1	Controlled by Master MDIO	GPIO Registers
<b>MMDC</b>	<b>GPIO1 used as input</b>	GPIO_IN.1	GPIO_ALTSEL0.1 = 0 GPIO_ALTSEL1.1 = 0	GPIO_DIR.1 = 0	GPIO Registers
	GPIO1 used as output	GPIO_OUT.1		GPIO_DIR.1 = 1	
	GPC1 used as input	GPC	GPIO_ALTSEL0.1 = 1 GPIO_ALTSEL1.1 = 0	GPIO_DIR.1 = 0	GPIO Registers
	GPC1 used as output			GPIO_DIR.1 = 1	
	EXINT1 used as input	INT	GPIO_ALTSEL0.1 = 0 GPIO_ALTSEL1.1 = 1	GPIO_DIR.1 = 0	GPIO Registers
	EXINT1 used as output			GPIO_DIR.1 = 1	
	Master MDC used as output	Master MDIO	GPIO_ALTSEL0.1 = 1 GPIO_ALTSEL1.1 = 1	Output	GPIO Registers
<b>URXD</b>	GPIO2 used as input	GPIO_IN.2	GPIO_ALTSEL0.2 = 0 GPIO_ALTSEL1.2 = 0	GPIO_DIR.2 = 0	GPIO Registers
	GPIO2 used as output	GPIO_OUT.2		GPIO_DIR.2 = 1	
	SSDI used as input	Slave SPI	GPIO_ALTSEL0.2 = 1 GPIO_ALTSEL1.2 = 0	Input	GPIO Register
	<b>URXD used as input (default)</b>	UART	GPIO_ALTSEL0.2 = 0 GPIO_ALTSEL1.2 = 1	Input	GPIO Register
<b>UTXD</b>	GPIO3 used as input (default)	GPIO_IN.3	GPIO_ALTSEL0.3 = 0 GPIO_ALTSEL1.3 = 0	GPIO_DIR.3 = 0	GPIO Registers
	GPIO3 used as output	GPIO_OUT.3		GPIO_DIR.3 = 1	
	SSDO used as output	Slave SPI	GPIO_ALTSEL0.3 = 1 GPIO_ALTSEL1.3 = 0	Output	GPIO Registers
	<b>UTXD used as output (default)</b>	UART	GPIO_ALTSEL0.3 = 0 GPIO_ALTSEL1.3 = 1	Output	GPIO Registers



**Functional Description**
**Table 26 GPIO Pin Multiplex Functions (cont'd)**

Port Pin	Pin Functionality	Associated Register/Module	Alternate Function	Direction Control	Pull Up/Down Open Drain Control
<b>SMDC</b>	GPIO4 used as input	GPIO_IN.4	GPIO_ALTSEL0.4 = 0	GPIO_DIR.4 = 0	GPIO Registers
	GPIO4 used as output	GPIO_OUT.4	GPIO_ALTSEL1.4 = 0	GPIO_DIR.4 = 1	
	SSCK used as input	Slave SPI	GPIO_ALTSEL0.4 = 1 GPIO_ALTSEL1.4 = 0	Input	GPIO Registers
	<b>SMDC used as input (default)</b>	Slave MDIO	GPIO_ALTSEL0.4 = 0 GPIO_ALTSEL1.4 = 1	Input	GPIO Registers
	LIGHT used as input	LED	GPIO_ALTSEL0.4 = 1 GPIO_ALTSEL1.4 = 1	Controlled by LED	GPIO Registers
<b>SMDIO</b>	GPIO5 used as input	GPIO_IN.5	GPIO_ALTSEL0.5 = 0	GPIO_DIR.5 = 0	GPIO Registers
	GPIO5 used as output	GPIO_OUT.5	GPIO_ALTSEL1.5 = 0	GPIO_DIR.5 = 1	
	SSCS used as input	Slave SPI	GPIO_ALTSEL0.5 = 1 GPIO_ALTSEL1.5 = 0	Input	GPIO Registers
	<b>SMDIO used as input (default)</b>	Slave SMDIO	GPIO_ALTSEL0.5 = 0 GPIO_ALTSEL1.5 = 1	Controlled by Slave MDIO	GPIO Registers
	Power LED used as output	GPIO_OUT.5	GPIO_ALTSEL0.5 = 1 GPIO_ALTSEL1.5 = 1	Output	GPIO Registers
<b>MSDI</b>	<b>GPIO6 used as input (default)</b>	GPIO_IN.6	GPIO_ALTSEL0.6 = 0 GPIO_ALTSEL1.6 = 0	GPIO_DIR.6 = 0	GPIO Registers
	GPIO6 used as output	GPIO_OUT.6		GPIO_DIR.6 = 1	
	MSDI used as input	Master SPI	GPIO_ALTSEL0.6 = 1 GPIO_ALTSEL1.6 = 0	Input	GPIO Registers
	LIGHT used as input	LED	GPIO_ALTSEL0.6 = 1 GPIO_ALTSEL1.6 = 1	Controlled by LED	GPIO Registers
<b>MSDO</b>	<b>GPIO7 used as input (default)</b>	GPIO_IN.7	GPIO_ALTSEL0.7 = 0 GPIO_ALTSEL1.7 = 0	GPIO_DIR.7 = 0	GPIO Registers
	GPIO7 used as output	GPIO_OUT.7		GPIO_DIR.7 = 1	
	MSDO used as output	Master SPI	GPIO_ALTSEL0.7 = 1 GPIO_ALTSEL1.7 = 0	Output	GPIO Registers
	Power LED used as output	GPIO_OUT.7	GPIO_ALTSEL0.7 = 1 GPIO_ALTSEL1.7 = 1	Output	GPIO Registers
<b>MSCK</b>	<b>GPIO8 used as input (default)</b>	GPIO_IN.8	GPIO_ALTSEL0.8 = 0 GPIO_ALTSEL1.8 = 0	GPIO_DIR.8 = 0	GPIO Registers
	MSCK used as output	Master SPI	GPIO_ALTSEL8.4 = 1 GPIO_ALTSEL8.4 = 0	Output	GPIO Registers
<b>MSCS</b>	<b>GPIO9 used as input (default)</b>	GPIO_IN.9	GPIO_ALTSEL0.9 = 0 GPIO_ALTSEL1.9 = 0	GPIO_DIR.9 = 0	GPIO Registers
	GPIO9 used as output	GPIO_OUT.9		GPIO_DIR.9 = 1	
	MSCS used as output	Master SPI	GPIO_ALTSEL0.9 = 1 GPIO_ALTSEL1.9 = 0	Output	GPIO Registers

**Functional Description**
**Table 26 GPIO Pin Multiplex Functions (cont'd)**

Port Pin	Pin Functionality	Associated Register/Module	Alternate Function	Direction Control	Pull Up/Down Open Drain Control
<b>GPIO10</b>	<b>GPIO10 used as input (default)</b>	GPIO_IN.10	GPIO_ALTSEL0.10 = 0 GPIO_ALTSEL1.10 = 0	GPIO_DIR.10 = 0	GPIO Registers
	GPIO10 used as output	GPIO_OUT.10		GPIO_DIR.10 = 1	
	GPC0 used as input	GPC	GPIO_ALTSEL0.10 = 1 GPIO_ALTSEL1.10 = 0	GPIO_DIR.10 = 0	GPIO Registers
	GPC0 used as output			GPIO_DIR.10 = 1	
	EXINT0 used as input	INT	GPIO_ALTSEL0.10 = 0 GPIO_ALTSEL1.10 = 1	GPIO_DIR.10 = 0	GPIO Registers
	EXINT0 used as output			GPIO_DIR.10 = 1	
<b>GPIO11</b>	<b>GPIO11 used as input (default)</b>	GPIO_IN.11	GPIO_ALTSEL0.11 = 0 GPIO_ALTSEL1.11 = 0	GPIO_DIR.11 = 0	GPIO Registers
	GPIO11 used as output	GPIO_OUT.11		GPIO_DIR.11 = 1	
	GPC1 used as input	GPC	GPIO_ALTSEL0.11 = 1 GPIO_ALTSEL1.11 = 0	GPIO_DIR.11 = 0	GPIO Registers
	GPC1 used as output			GPIO_DIR.11 = 1	
	EXINT1 used as input	INT	GPIO_ALTSEL0.11 = 0 GPIO_ALTSEL1.11 = 1	GPIO_DIR.11 = 0	GPIO Registers
	EXINT1 used as output			GPIO_DIR.11 = 1	
<b>GPIO12</b>	<b>GPIO12 used as input (default)</b>	GPIO_IN.12	GPIO_ALTSEL0.12 = 0 GPIO_ALTSEL1.12 = 0	GPIO_DIR.12 = 0	GPIO Registers
	GPIO12 used as output	GPIO_OUT.12		GPIO_DIR.12 = 1	
<b>GPIO13</b>	<b>GPIO13 used as input (default)</b>	GPIO_IN.13	GPIO_ALTSEL0.13 = 0 GPIO_ALTSEL1.13 = 0	GPIO_DIR.13 = 0	GPIO Registers
	GPIO13 used as output	GPIO_OUT.13		GPIO_DIR.13 = 1	

**Table 27 GPIO2 Pin Multiplex Functions**

Port Pin	Pin Functionality	Associated Register/Module	Alternate Function	Direction Control	Pull Up/Down Open Drain Control
<b>LED00</b>	<b>GPIO16 used as input (default)</b>	GPIO2_IN.0	GPIO2_ALTSEL0.0 = 0 GPIO2_ALTSEL1.0 = 0	GPIO2_DIR.0 = 0	GPIO2 Registers
	GPIO16 used as output	GPIO2_OUT.0		GPIO2_DIR.0 = 1	
	LED used as output	LED	GPIO2_ALTSEL0.0 = 1 GPIO2_ALTSEL1.0 = 0	Output	GPIO2 Registers
<b>LED10</b>	<b>GPIO17 used as input (default)</b>	GPIO2_IN.1	GPIO2_ALTSEL0.1 = 0 GPIO2_ALTSEL1.1 = 0	GPIO2_DIR.1 = 0	GPIO2 Registers
	GPIO17 used as output	GPIO2_OUT.1		GPIO2_DIR.1 = 1	
	LED used as output	LED and JATG	GPIO2_ALTSEL0.1 = 1 GPIO2_ALTSEL1.1 = 0	Output	GPIO2 Registers
<b>LED20</b>	<b>GPIO18 used as input (default)</b>	GPIO2_IN.2	GPIO2_ALTSEL0.2 = 0 GPIO2_ALTSEL1.2 = 0	GPIO2_DIR.2 = 0	GPIO2 Registers
	GPIO18 used as output	GPIO2_OUT.2		GPIO2_DIR.2 = 1	
	LED used as output	LED and JATG	GPIO2_ALTSEL0.2 = 1 GPIO2_ALTSEL1.2 = 0	Output	GPIO2 Registers
<b>LED30</b>	<b>GPIO19 used as input (default)</b>	GPIO2_IN.3	GPIO2_ALTSEL0.3 = 0 GPIO2_ALTSEL1.3 = 0	GPIO2_DIR.2 = 0	GPIO2 Registers
	GPIO19 used as output	GPIO2_OUT.3		GPIO2_DIR.2 = 1	
	LED used as output	LED and JATG	GPIO2_ALTSEL0.3 = 1 GPIO2_ALTSEL1.3 = 0	Output	GPIO2 Registers
<b>LED40</b>	<b>GPIO20 used as input (default)</b>	GPIO2_IN.4	GPIO2_ALTSEL0.4 = 0 GPIO2_ALTSEL1.4 = 0	GPIO2_DIR.4 = 0	GPIO2 Registers
	GPIO20 used as output	GPIO2_OUT.4		GPIO2_DIR.4 = 1	
	LED used as output	LED and JATG	GPIO2_ALTSEL0.4 = 1 GPIO2_ALTSEL1.4 = 0	Output	GPIO2 Registers
<b>LED01</b>	<b>GPIO21 used as input (default)</b>	GPIO2_IN.5	GPIO2_ALTSEL0.5 = 0 GPIO2_ALTSEL1.5 = 0	GPIO2_DIR.5 = 0	GPIO2 Registers
	GPIO21 used as output	GPIO2_OUT.5		GPIO2_DIR.5 = 1	
	LED used as output	LED	GPIO2_ALTSEL0.5 = 1 GPIO2_ALTSEL1.5 = 0	Output	GPIO2 Registers
<b>LED11</b>	<b>GPIO22 used as input (default)</b>	GPIO2_IN.6	GPIO2_ALTSEL0.6 = 0 GPIO2_ALTSEL1.6 = 0	GPIO2_DIR.6 = 0	GPIO2 Registers
	GPIO22 used as output	GPIO2_OUT.6		GPIO2_DIR.6 = 1	
	LED used as output	LED	GPIO2_ALTSEL0.6 = 1 GPIO2_ALTSEL1.6 = 0	Output	GPIO2 Registers
<b>LED21</b>	<b>GPIO23 used as input (default)</b>	GPIO2_IN.7	GPIO2_ALTSEL0.7 = 0 GPIO2_ALTSEL1.7 = 0	GPIO2_DIR.7 = 0	GPIO2 Registers
	GPIO23 used as output	GPIO2_OUT.7		GPIO2_DIR.7 = 1	
	LED used as output	LED	GPIO2_ALTSEL0.7 = 1 GPIO2_ALTSEL1.7 = 0	Output	GPIO2 Registers

**Functional Description**
**Table 27 GPIO2 Pin Multiplex Functions (cont'd)**

Port Pin	Pin Functionality	Associated Register/Module	Alternate Function	Direction Control	Pull Up/Down Open Drain Control
LED31	<b>GPIO24 used as input (default)</b>	GPIO2_IN.8	GPIO2_ALTSEL0.8 = 0 GPIO2_ALTSEL1.8 = 0	GPIO2_DIR.8 = 0	GPIO2 Registers
	GPIO24 used as output	GPIO2_OUT.8		GPIO2_DIR.8 = 1	
	LED used as output	LED	GPIO2_ALTSEL0.8 = 1 GPIO2_ALTSEL1.8 = 0	Output	GPIO2 Registers
LED41	<b>GPIO25 used as input (default)</b>	GPIO2_IN.9	GPIO2_ALTSEL0.9 = 0 GPIO2_ALTSEL1.9 = 0	GPIO2_DIR.9 = 0	GPIO2 Registers
	GPIO25 used as output	GPIO2_OUT.9		GPIO2_DIR.9 = 1	
	LED used as output	LED	GPIO2_ALTSEL0.9 = 1 GPIO2_ALTSEL1.9 = 0	Output	GPIO2 Registers
LED02	<b>GPIO26 used as input (default)</b>	GPIO2_IN.10	GPIO2_ALTSEL0.10 = 0 GPIO2_ALTSEL1.10 = 0	GPIO2_DIR.10 = 3	GPIO2 Registers
	GPIO26 used as output	GPIO2_OUT.10		GPIO2_DIR.10 = 1	
	LED used as output	LED	GPIO2_ALTSEL0.10 = 1 GPIO2_ALTSEL1.10 = 0	Output	GPIO2 Registers
	LIGHT used as input	LED	GPIO2_ALTSEL0.10 = 1 GPIO2_ALTSEL1.10 = 1	Controlled by LED	GPIO2 Registers
LED12	<b>GPIO27 used as input (default)</b>	GPIO2_IN.11	GPIO2_ALTSEL0.11 = 0 GPIO2_ALTSEL1.11 = 0	GPIO2_DIR.11 = 0	GPIO2 Registers
	GPIO27 used as output	GPIO2_OUT.11		GPIO2_DIR.11 = 1	
	LED used as output	LED	GPIO2_ALTSEL0.11 = 1 GPIO2_ALTSEL1.11 = 0	Output	GPIO2 Registers
LED22	<b>GPIO28 used as input (default)</b>	GPIO2_IN.12	GPIO2_ALTSEL0.12 = 0 GPIO2_ALTSEL1.12 = 0	GPIO2_DIR.12 = 0	GPIO2 Registers
	GPIO28 used as output	GPIO2_OUT.12		GPIO2_DIR.12 = 1	
	LED used as output	LED	GPIO2_ALTSEL0.12 = 1 GPIO2_ALTSEL1.12 = 0	Output	GPIO2 Registers
LED32	<b>GPIO29 used as input (default)</b>	GPIO2_IN.13	GPIO2_ALTSEL0.13 = 0 GPIO2_ALTSEL1.13 = 0	GPIO2_DIR.13 = 0	GPIO2 Registers
	GPIO29 used as output	GPIO2_OUT.13		GPIO2_DIR.13 = 1	
	LED used as output	LED	GPIO2_ALTSEL0.13 = 1 GPIO2_ALTSEL1.13 = 0	Output	GPIO2 Registers
LED42	<b>GPIO30 used as input (default)</b>	GPIO2_IN.14	GPIO2_ALTSEL0.14 = 0 GPIO2_ALTSEL1.14 = 0	GPIO2_DIR.14 = 0	GPIO2 Registers
	GPIO30 used as output	GPIO2_OUT.14		GPIO2_DIR.14 = 1	
	LED used as input/output	LED	GPIO2_ALTSEL0.14 = 1 GPIO2_ALTSEL1.14 = 0	Controlled by LED	GPIO Registers

## 3.5 Gigabit Ethernet PHY Functional Description

### 3.5.1 Features

- Supports Energy-Efficient Ethernet (EEE):
  - 10BASE-Te
  - 100BASE-TX
  - 1000BASE-T
  - Power Down modes
  - Wake-on-LAN support
  - Integrated termination resistors
  - Supports transformerless Ethernet (TLE) for backplane applications
  - Low-EMI voltage mode line-driver
- Auto-negotiation with next-page support
- Auto-downspeed
- Auto-MDI/MDIX and Polarity selection
- Test Loops
- Cable diagnostics:
  - Cable open/short detection
  - Cable length estimation

### 3.5.2 Functional Description

#### 3.5.2.1 Twisted-Pair Interface

The Twisted-Pair Interface (TPI) of the GPHY IP is fully compliant with IEEE 802.3. To facilitate low-power implementation and reduce PCB costs, the series resistors required to terminate the twisted-pair link to nominally 100  $\Omega$  are integrated into the device.

As a consequence, the TPI pins can be directly connected via the transformer to the RJ45 plug. Additional external circuitry is only required for proper common-mode termination and rejection. [Figure 18](#) shows a high-level schematic of the TPI circuitry, taking these components into account.

Even though GPHY IP supports operation with transformers whose center taps on the chip side are shorted and connected to a single capacitor, MaxLinear recommends to keep center tap pins separate with a center tap capacitor ( $C_{CT} = 100 \mu\text{F}$  or  $C_{CT} = 68 \text{ pF}$ ) connected to ground to improve EMI and ESD, with  $C_{CT} = 68 \text{ pF}$  offering better EMI suppression. Refer to [Figure 18](#).

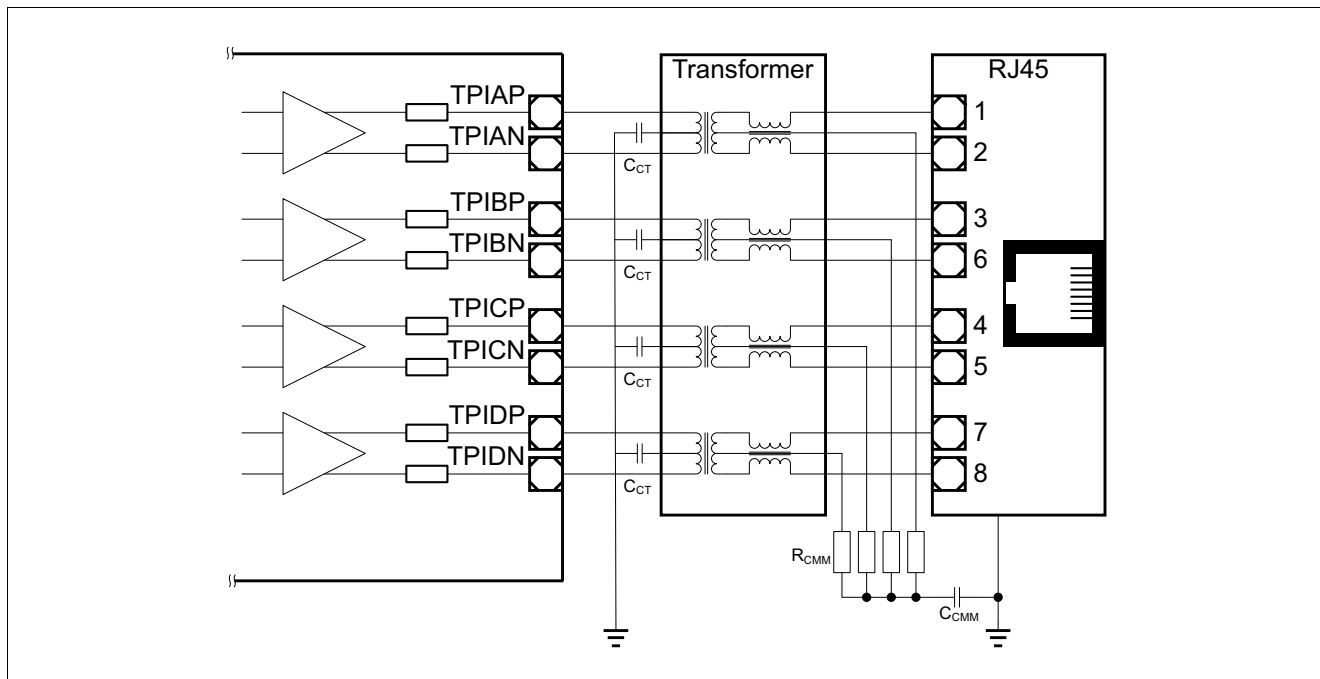


Figure 18 Twisted-Pair Interface of GPHY IP Including Transformer and RJ45 Plug

### 3.5.2.2 Auto-Negotiation (ANEG)

The GPHY IP supports Auto-Negotiation (ANEG) as a startup procedure to exchange capability information with the link partner.

Unless ANEG is manually disabled, the GPHY IP initiates each link-up using an ANEG procedure according to IEEE 802.3-2008 Clause 28 and essentially required for the 1000BASE-T mode in IEEE 802.3-2008 Clause 40.

Unless otherwise configured, the GPHY IP carries out an auto-crossover detect/enable procedure prior to the start of the ANEG process. This ensures optimal interoperability even in inadequate cable infrastructure environments. However, when ANEG is disabled, the auto-crossover procedure is still done during link-up.

The ANEG procedure implementation is compliant with standards given in IEEE 802.3-2008, clause 28. When the link partner does not support ANEG, the GPHY IP extracts the link-speed configuration using **parallel detection**. The GPHY IP supports Next Page (NP) exchange, since it is mandatory for advertising 1000BASE-T capabilities. By default, NPs are exchanged autonomously and do not require interaction with any management device.

### 3.5.2.3 Auto-Downspeed

The Auto-Downspeed (ADS) feature ensures maximum interoperability even in harsh or inadequate cable infrastructure environments. In particular, ADS is applied during 1000BASE-T training. This is necessary because the information available about the cabling during ANEG is insufficient. It is possible to advertise 1000BASE-T during ANEG, even though it might happen that both link partners are connected via a CAT-3 cable, which does not support the 4-pair Gigabit Ethernet mode.

To avoid continuous link-up failures in such a situation, the GPHY IP operates a detection algorithm to identify this situation. As a consequence, Gigabit-capability indication is cleared from the ANEG registers. After the resulting link-down, the next ANEG process does not advertise 1000BASE-T anymore, so that even when the link partner does not implement this kind of ADS algorithm, the next link-up is done at the next advertised speed below 1000 Mbps.

It can also happen that the existing cable infrastructure is adequate, but that the integrity of received signals is not suitable for a 1000BASE-T link-up, for example due to increased alien noise, or over-length cables. When such a condition is detected, the GPHY IP also does an ADS procedure.

Finally, it can also happen that, even though the GPHY IP is able to link up properly, for example in slave mode, the link partner is not able to. In this situation, ADS criterion described previously does not become active, but the link also never comes up. To address this corner situation, the GPHY IP counts the number of attempts to link up to 1000BASE-T. When this number is greater than 3, the ADS procedure is carried out. This number is reset internally after each successful 1000BASE-T link-up.

In all flow and mode settings that support only speeds of 1000 Mbps, the ADS feature is automatically disabled. The number of times GPHY IP decide to downspeed the link is counted and available as statistics via the MDIO.PHY.ERRCNT register.

### 3.5.2.4 Auto-Crossover and Polarity-Reversal Correction

To maximize interoperability even in inadequate wiring environments, the GPHY IP supports auto-crossover and polarity-reversal detection and correction. Both features are enabled by default.

Auto-crossover detection and correction operates at all supported twisted-pair speeds.

In 10BASE-T and 100BASE-TX, pairs C and D are not used. Consequently, modes 2 and 3 as well as 1 and 4 are identical.

In 1000BASE-T all modes are applicable.

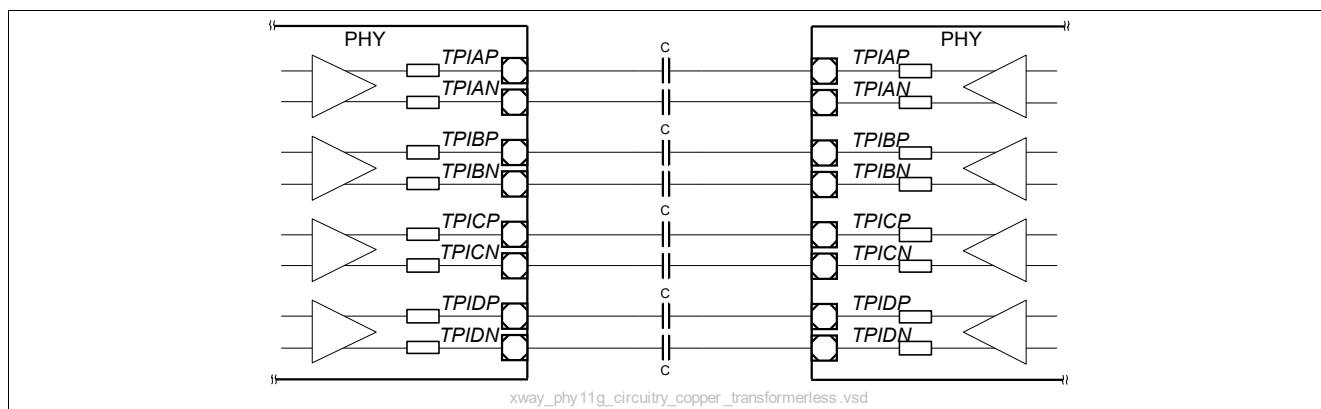
The auto-crossover functionality is fully compliant with IEEE 802.3, clause 40.4.4, in 1000BASE-T mode. In the 10BASE-T and 100BASE-TX modes, this functionality depends on the detection of valid link pulses.

Polarity-reversal errors caused by improper wiring are automatically corrected by the GPHY IP. This correction is done on all pairs in the receive direction for all supported twisted-pair media modes. In 10BASE-T mode, the polarity correction is based on the detection of valid link pulses. In 100BASE-TX, the polarity of the receive signal is inherently corrected by the negation invariance of line code. In the 1000BASE-T mode, polarity detection is part of the training sequence. In all the modes, the detected polarity is frozen once the link has been established, and remains unchanged until the link is dropped.

### 3.5.2.5 Transformerless Ethernet (TLE)

Transformerless Ethernet (TLE) is required for back-plane or PICMG applications, where the use of a transformer (magnetics) is not necessarily required to fulfill the galvanic-decoupling requirements of the isolation specifications. In such applications, removing the transformer reduces both the external bill of materials and the space requirements on the PCB.

As the GPHY IP incorporates a novel type of voltage-mode line-driver, the only stringent requirement is to use AC coupling. AC coupling is achieved using simple SMD-type series capacitors, the value of which is selected so that the high-pass characteristics correspond to an equivalent transformer-based standard application (recommended  $C_{\text{coupling}} = 100 \text{ nF}$ ). **Figure 19** shows the TLE external circuitry. The RJ45 connector is shown only for illustration purposes. The back-plane applications use different connectors.



**Figure 19 External Circuitry for the Transformerless Ethernet Application**

### 3.5.2.6 Configuration and Control via MDIO

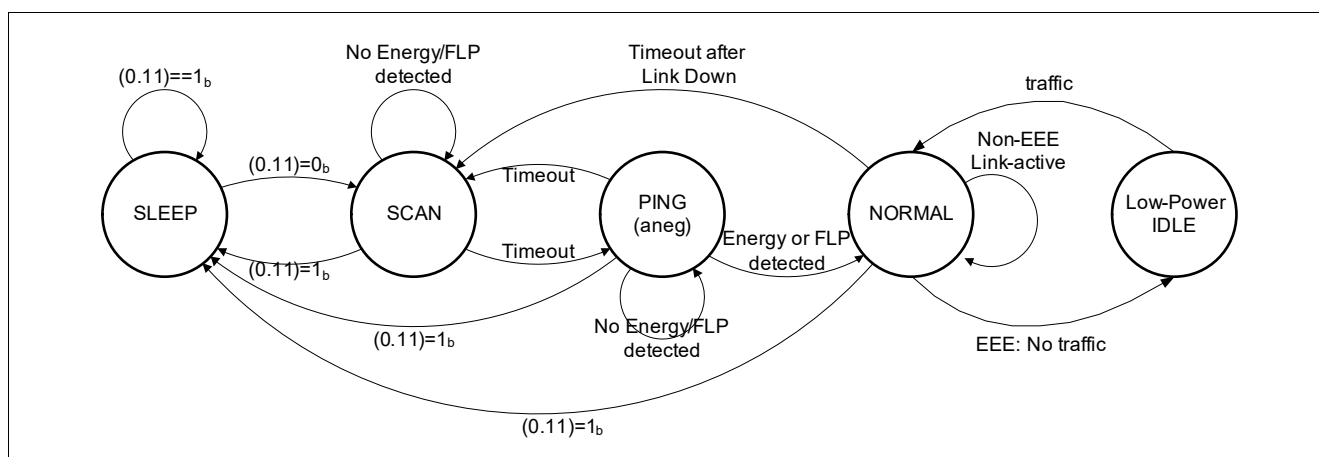
When a higher-level management entity exists in the system, this can configure and control the GPHY IP completely by means of the MDIO interface, according to IEEE 802.3-2008.

### 3.5.2.7 Power Management

This section introduces the power management functions of the GPHY IP.

#### 3.5.2.7.1 Power Down Modes

This section introduces the power-down modes supported by the GPHY IP. [Figure 20](#) depicts how these modes are associated to states. The functionality of each mode and the state transitions are discussed in detail in the subsequent sections.



**Figure 20 State Diagram for Power-Down Mode Management**

#### 3.5.2.7.2 Sleep Mode

The SLEEP mode is entered by setting register (0.11) to logic one, regardless of the current state of the device. Active links are dropped when the PHY is leaving the NORMAL mode. The sleep mode corresponds to power down as specified in IEEE802.3, clause 22.2.4.1.5. The device still reacts to MDIO management transactions. The interface clocks to the MAC are switched off. No signal is transmitted on the MDI.

Since this mode is entered manually, the device neither wakes itself nor any link partner. This functionality can be enabled by setting register (0.11) to logic zero and thus entering the SCAN mode.

#### 3.5.2.7.3 Scan Mode

The SCAN mode differs from the SLEEP mode in that the receiver periodically scans for signal energy or FLP bursts on the media. In this mode, there is no transmission. This must correspond to the state of “NO-LINK”.

After a certain time-out has expired, the PHY moves into the PING mode. The time-out is randomized between configurable limits to prevent deadlock conditions.

#### 3.5.2.7.4 Ping Mode

The PING mode is similar to the SCAN mode except that the transceiver transmits an FLP burst onto the TPI for a programmable amount of time. This is used to wake potential link partners from the power-down state. This must correspond to the state of ANEG.

After a certain time-out has expired, the PHY moves back into SCAN mode. The time-out is randomized between configurable limits to prevent deadlock conditions.



### 3.5.2.7.5 Normal Mode

The NORMAL mode is used to establish and maintain a link connection. Once this connection is dropped, the PHY moves back into SCAN mode after a configurable time-out has expired.

### 3.5.2.7.6 Low-Power Idle Mode: Energy-Efficient Ethernet

The IEEE 802.3az supports Energy-Efficient Ethernet (EEE) operation. The standard is also supported by the GPHY IP. Since the method used for saving energy depends on the PHY speed, this section is divided into 3 subsections corresponding to the various speeds of 10BASE-Te, 100BASE-TX and 1000BASE-T. Except for 10BASE-Te, the general idea of EEE is to save power during periods of low link utilization. Instead of sending an active idle, the transmitters are switched off for a short period of time (20 ms). The link is kept active by means of a frequent refresh cycle initiated by the PHY itself during low power mode. This sequence is repeated until a wake request is generated by one of the link-partners MACs. An EEE-compliant MAC must grant the PHY a time budget of wake time before the first packet is transmitted. The basic principle is shown in [Figure 21](#).

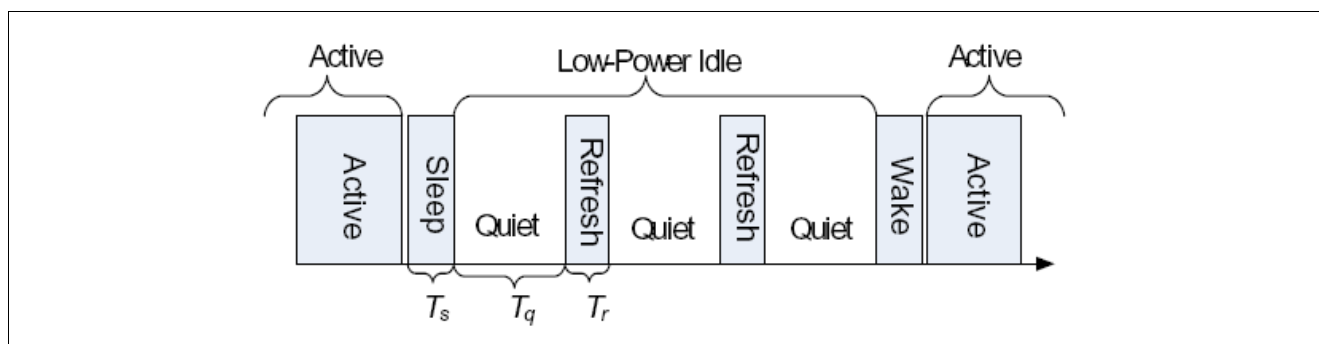


Figure 21 EEE Low-Power Idle Sequence

#### Auto-Negotiation for EEE Modes

It is imperative that the EEE capability is advertised, since, except for 10BASE-Te, a compliant link partner is required. Similarly to 1000BASE-T auto-negotiation, the GPHY IP automatically advertises EEE capability when this is enabled using next pages. EEE capability is stored in the `MMD.ANEG.EEE_AN_ADV` registers. Setting this register to zero disables EEE. After a successful negotiation the link partners' capabilities are stored in the `MMD.ANEG.EEE_AN_LPADV` register. After a successful auto-negotiation, the GPHY IP performs an auto-resolution on the exchanged capabilities. The result is combined with the speed resolution. Whether or not a link is able to operate EEE is reported in the `MDIO.PHY.MIISTAT.EEE` register.

## 3.6 Reduced Media-Independent Interface

### 3.6.1 Features

The Reduced Media-Independent Interface (RMII) implements a MAC interface with a reduced pin count, but only supporting speed of 100 Mbit/s. The RMII is fully compliant with the specification of the RMII Consortium [4].

The GSW1xxx's RMII interface only supports RMII MAC mode. When connecting the interface to another MAC, the RMII pins must be cross-connected in a way that the direction of the control, clock, and data pins matches on both ends. In this configuration, it is also possible to operate a MAC vs MAC mode.

### 3.6.2 Functional Description

When the RMII interface must be used, connect pins to the SoC as described in [Table 5](#).

### 3.6.3 RMII Configuration

#### REFCLK Master

Perform these steps for REFCLK Master:

1. Switch Top Level PDI Register 0xF100 (MII\_CFG\_5)
2. Configure from 0x2044 to 0x40B3, with:
  - a) RMII clock is set as output
  - b) The clock rate is at 50 MHz
  - c) RMII mode
3. Switch Top Level PDI Register 0xF410 (PHY\_ADDR\_5)
4. Configure from 0x1805 to 0x2a05

#### REFCLK Slave

Perform these steps for REFCLK Slave:

1. Switch Top Level PDI Register 0xF100 (MII\_CFG\_5)
2. Configure from 0x2044 to 0x4033, with:
  - a) RMII clock is set as input
  - b) The clock rate is at 50 MHz
  - c) RMII mode
3. Switch Top Level PDI Register 0xF410 (PHY\_ADDR\_5)
4. Configure from 0x1805 to 0x2a05
5. The 50 MHz clock must be sourced from the SoC, crystal, or oscillator externally

## 3.7 SGMII Interface Function Description

### 3.7.1 Features

- One SGMII SerDes
  - Cisco Serial-GMII Specification Rev 1.8 standard compliant operation at 1.25 Gbaud/s; extensions to achieve 3.125 Gbaud/s by overclocking the SerDes
  - 2.5 Gbps (one lane of XAUI conforming per 802.3, part 4, clause 47: 10 Gigabit Attachment Unit Interface (XAUI)) full duplex
  - SerDes interface includes Clock and Data Recovery (CDR)
  - Supports multiple power-down modes
  - Supports programmable TX attenuation and amplification
  - Supports programmable flat-band RX equalization
  - Supports auto-calibration of RX and TX impedances
  - Supports test loop feature for debugging
  - Requires an external resistor to calibrate the termination impedance of the high speed RX and TX signals
- One SGMII PCS
  - Integrates IEEE 802.3 clause 36 and 37 compliant PCS component
  - Cisco Serial-GMII Specification Rev 1.8 standard compliant operation at 1.25 Gbaud/s; extensions to achieve 3.125 Gbaud/s by overclocking the SGMII PCS
  - 2.5 Gbps (one lane of XAUI conforming per 802.3, part 4, clause 47: 10 Gigabit Attachment Unit Interface (XAUI)) full duplex
  - 2.5 Gbps full duplex, 1 Gbps full duplex, 100 Mbps full/half duplex, and 10 Mbps full/half duplex are supported
  - Support connecting to an external MAC at 1 Gbps full duplex or 2.5 Gbps full duplex
  - Support connecting to an external 1000BASE-T Ethernet PHY
  - Support connecting to an external 1000BASE-X (Fiber or Copper) Ethernet PHY
  - Support operation mode with auto-negotiation and without auto-negotiation
  - EEE LPI Encoding is not supported

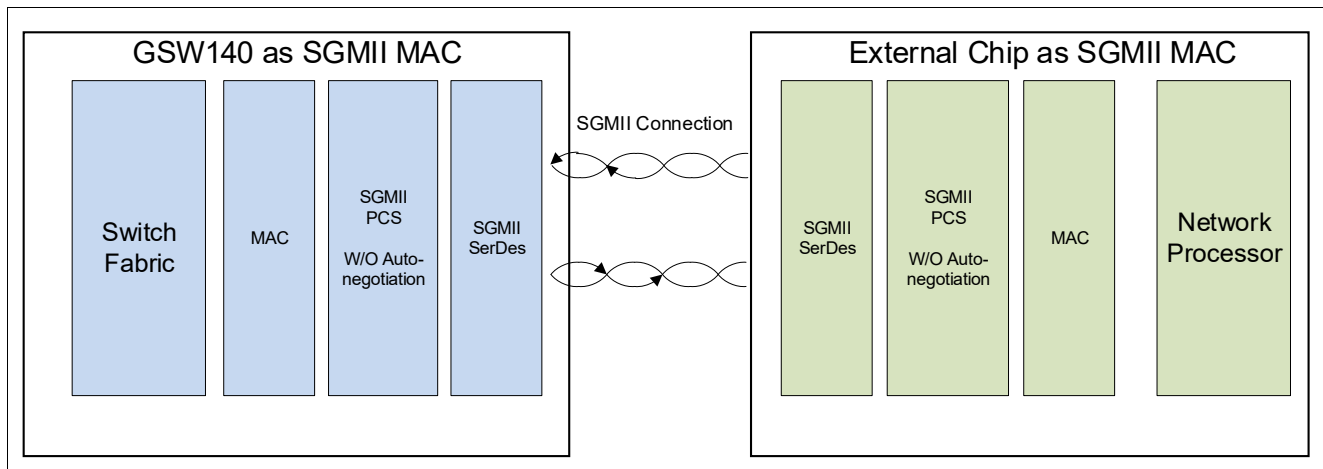
### 3.7.2 Functional Description

#### 3.7.2.1 Typical Applications

This section introduces and suggests typical applications of the GSW140 with SGMII interface.

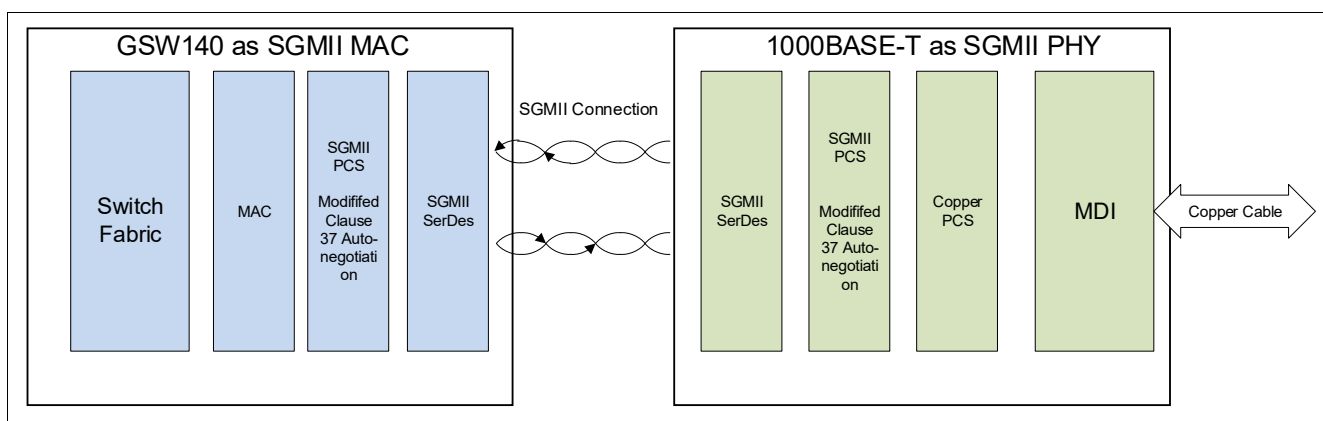
##### 3.7.2.1.1 Interface to an External MAC

It is GMII-replacement mode. It serves to primarily reduce the pin count of the interfaces between two MACs by replacing the signals with a 4-wire (2 pairs) differential connection. In this mode, auto-negotiation is disabled. The baud rate (1.25 Gbaud/s or 3.125 Gbaud/s), the bit rate (1 Gbps or 2.5 Gbps), pause support capability are preconfigured and must be known and same to both sides of the SGMII interface in advance. The link status is always on and in full duplex mode.


**Figure 22 Interface to an External MAC**

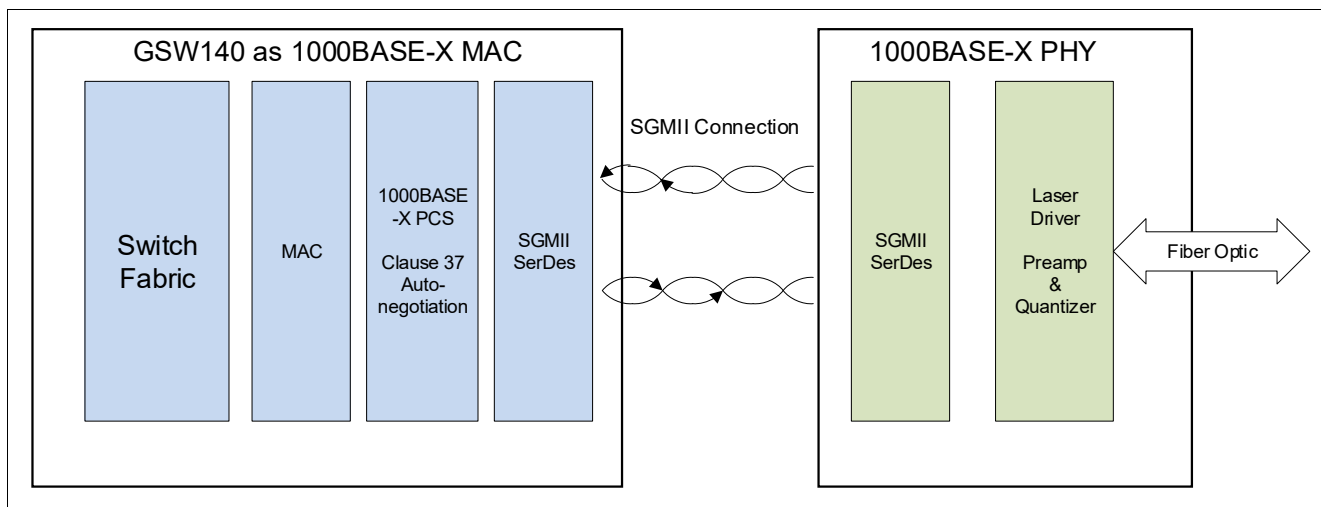
### 3.7.2.1.2 Interface to an External 1000BASE-T Ethernet PHY

Known as the SGMII mode, this mode follows the Cisco Serial-GMII Specification 1.8. It serves to primarily reduce the pin count of the interface between a switch and PHY by replacing the signals with a 4-wire (2 pair) differential connection. Instead of transmitting the capability advertisement information as defined in IEEE 802.3 Clause 37, in this mode, the PHY sends over the control register value, and the MAC side macro acknowledges this. With this done, normal data transmission can commence. It is to be noted that the baud rate of the line is not negotiated (always 1.25 Gbaud/s), this is pre-fixed and known to both sides in advance. But the bit rate (10/100/1000 Mbps), duplex mode, link status and pause capability can be changed via auto-negotiation.


**Figure 23 Interface to an External 1000BASE-T Copper Gigabit Ethernet PHY**

### 3.7.2.1.3 Interface to an External 1000BASE-X Ethernet PHY

In this scenario, the MAC-connected SGMII IP is connected to an optical SFP transceiver over a 1000BASE-X link. The optical PHY is assumed to be merely translating the electrical signals to optical and transmitting them over an optical fibre. In this application, the SGMII PCS in GSW140 works according to the clauses 36 and 37 in the IEEE 802.3 standard, conducting full-blown auto-negotiation for the link. It acts as a PCS for the optical PHY, with all capabilities as required by the standard. External 1000BASE-T Copper Ethernet PHY with an 1000BASE-X interface can also be connected to GSW140 in this manner.


**Figure 24 Interface to an External 1000BASE-X Ethernet PHY**

### 3.7.2.2 Modes of Operation

The two basic operating modes are the SGMII mode and 1000BASE-X mode. In the former, it acts as GMII replacement, and does a minimum of link configuration operations before data transfer can commence. In the 1000BASE-X mode, full-fledged auto-negotiation including next page operation is supported.

In addition, [Table 28](#) lists the macro that can be operated in various different bit rates.

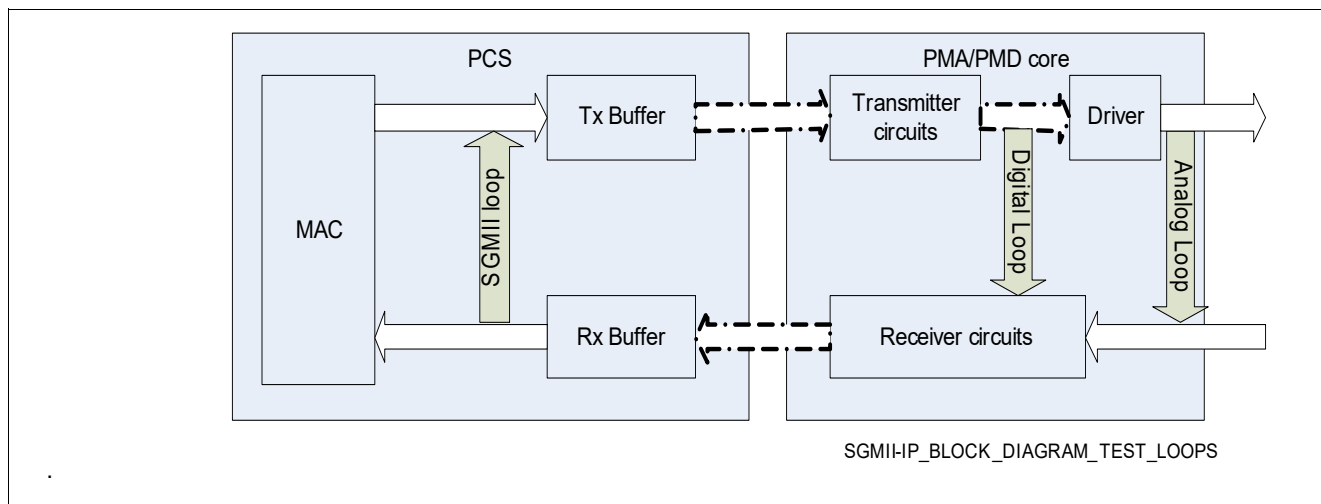
**Table 28 Bit Rates**

Application	PCS Mode	Auto-Negotiation Mode	Baud Rate at Line	Bit Rate Duplex	Data Repeat	Link Info
<a href="#">Interface to an External MAC</a>	Don't Care	Disable	1.25 Gbaud/s	1 Gbps Full Duplex	1	Link info (bit rate and pause capability, link status) are known and preconfigured at both side.
			3.125 Gbaud/s	2.5 Gbps Full Duplex	1	
<a href="#">Interface to an External 1000BASE-T Ethernet PHY</a>	SGMII	Enable	1.25 Gbaud/s	10 Mbps Full/half Duplex	100	Link info (bit rate, duplex mode, pause capability and link status) are auto-negotiated.
				100 Mbps Full/half Duplex	10	
				1 Gbps Full Duplex	1	
<a href="#">Interface to an External 1000BASE-X Ethernet PHY</a>	1000BASE-X	Enable	1.25 Gbaud/s	1 Gbps Full Duplex	1	Link info (pause capability and link status) are auto-negotiated.

For SGMII mode, for bit rates of 1 Gbps or less, each data symbol is repeated 10 or 100 times as required by the SGMII specification, to arrive at the baud rate of 1.25 Gbps. The 8b10b coding scheme ensures that there are enough transitions for the clock recovery mechanism in the PMD to operate smoothly. To achieve this the bit rate is increased the bit rate by 25%.

### 3.7.2.3 Test Features, Status and Enabling

The GSW140 has several loops to aid system debugging, as shown in [Figure 25](#).



**Figure 25** Test Loops in the GSW140

#### 3.7.2.3.1 PMA/PMD Loops

The PMA/PMD core provides two loops internal to itself, both of which loops the data from the transmit path to receive path, as shown in [Figure 25](#),

1. Digital Loop: Digital serial data loopback from transmit to receive. It takes data from the transmit path just before the analog drivers, and inserts into the receive path just after the first stage.
2. Analog Loop: Analog signals are looped back from transmit to receive path. Here the entire circuits of both the transmit and receive paths are activated. However, this test cannot be done on packaged devices due to loading effect of parasitic capacitances. This is meant for wafer level testing only.

The above loops are activated by register bits.

#### 3.7.2.3.2 PCS Loops

In addition to above test mode, the logic external to the PMA/PMD core provides a loop as shown in [Figure 25](#) called SGMII Loop. This loops data from receive buffer output to transmit buffer input. This is activated by LPB bit in the SGMII\_PCS\_CFG register. This loop enables returning of data coming in from the analog interface back to itself.

### 3.8 Switch Fabric Functional Description

#### 3.8.1 Overview

The Gigabit Ethernet Switch Macro is responsible for classifying, storing and forwarding multiple data flows. The macro consists of storage buffer, packet queueing and packet classification units. Ingress data can be received on one of the port interfaces, classified and placed in the appropriate QoS queue in the Shared Buffer. Ingress policing and access control rules are applied to the received traffic and packets not compliant to the rules are discarded. Prior to packet being fetched from the shared memory and transmitted on one of the egress ports, it is subject to egress scheduling and rate shaping.

Figure 26 describes a typical packet data flow through various stages of switch.

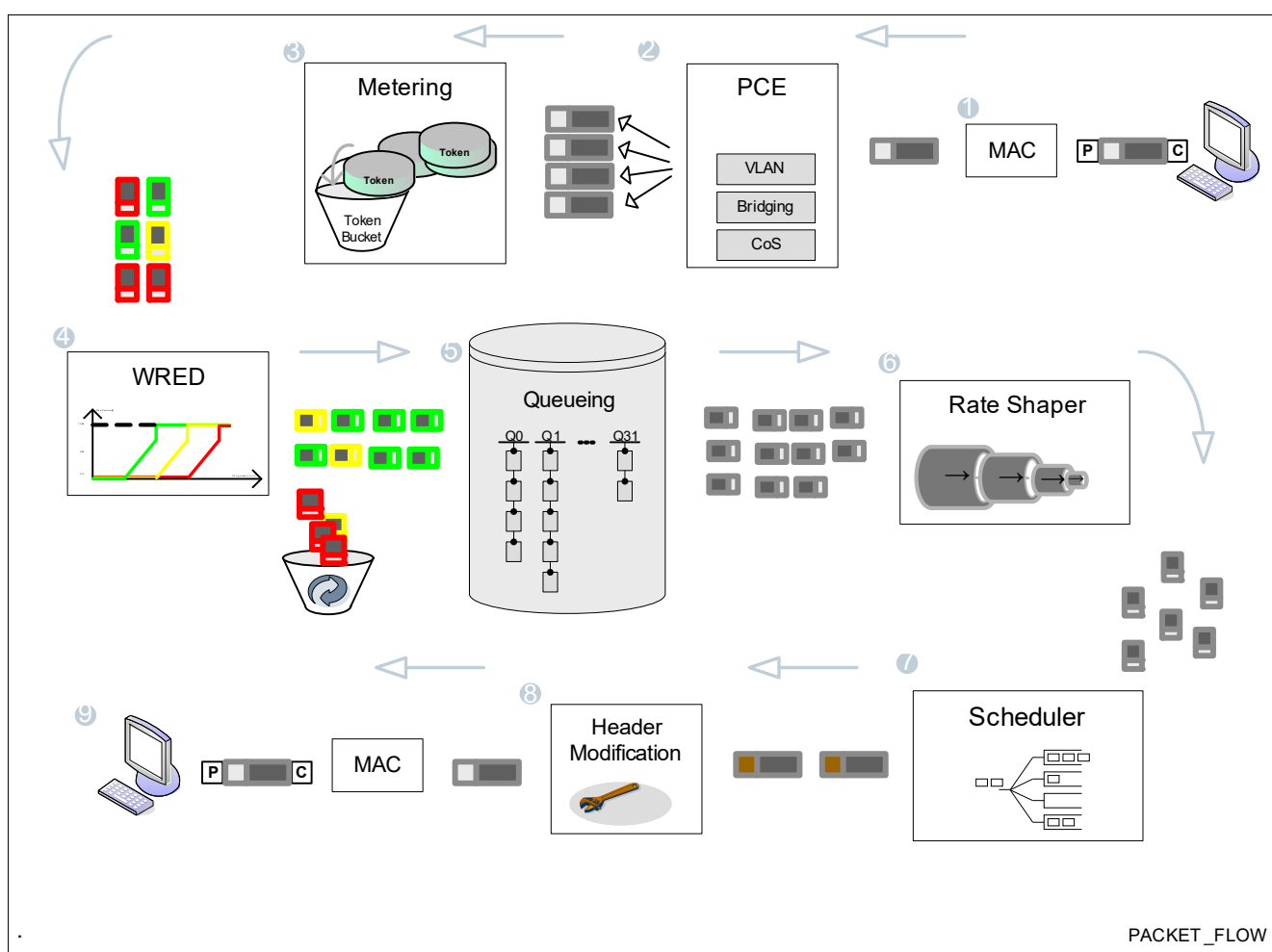


Figure 26 Packet Flow Diagram

Packet received on the ingress port is stripped from the Ethernet Preamble and checked for correct FCS. In case of any reception errors the packet might be discarded. Received packet is classified in the Packet Classification Engine and assigned to an appropriate QoS queue. Prior to accepting the packet to certain queue it is subject to metering and WRED functions. Packets marked as non-conforming by the Metering Engine might be discarded by the WRED algorithm based on the configurable drop precedence. Prior to transmission on the egress side, the packet is subject to Rate Shaping. When transmission of the packet is not delayed by the Rate Shaper it is subject to the Scheduling algorithm (WFQ or SP). Packets scheduled for transmission are subject to Header Modification, such as, VLAN Tag modification or DSCP remarking.

## 3.8.2 Ethernet Bridging

Ethernet bridging (or Switching) is the primary task of the Gigabit Ethernet Switch Macro. The frames received on one of the ingress ports must be forwarded to the appropriate destination port. The destination port is determined by a lookup in the MAC bridging table. The MAC bridging table can be populated by software (static entries) or entries can automatically be learned by the hardware learning function. The entries learned by the hardware can age out after a configurable time and are deleted from the MAC bridging table.

### 3.8.2.1 Parsing

The Gigabit Ethernet Switch Macro features a Parser realized as a microcoded engine. This allows a flexible adaptation to any future protocol changes. The parser microcode evaluates the frame header and is capable of extracting all relevant information up to the layer 4 protocol from the frame. The microcode must be loaded otherwise only the MAC destination and MAC source address is extracted from the frame. The parsed fields are:

- MAC source and destination address (also available without loading the parser microcode)
- Special tag
- Ethernet type field
- Service VLAN tag (VLAN ID, DEI/CFI and PCP)
- Customer VLAN Tag (VLAN ID, CFI and PCP)
- PPPoE Session ID (for PPPoE frames)
- DSCP/TOS/Traffic Class (for IPv4/IPv6 packets)
- IP Protocol/Next Header (for IPv4/IPv6 packets)
- IPv4/IPv6 source and destination address (for IPv4/IPv6 packets)
- Application, typically L4 source and destination port (for UDP and TCP)
- Flags (IP version, WOL Packet Flag, Parser Error Flag, Length Encapsulated Packet Flag, IP Short Option Flag, IP Long Option Flag)

A packet is also parsed when it was received encapsulated in a PPPoE frame. The parsing considers Zero or One Service tag, any number of customer VLAN tags and any number of extension headers, the parsing continues as long as the parsing depth (256 bytes) is not exceeded. When the Ethernet type field is not IPv4, IPv6 or PPPoE and IP protocol/next header is not UDP or TCP, the parsing is finished and the next four bytes are stored as application field. This allows to set up rules for unknown protocols.

*Note: The outer customer VLAN tag is extracted by locking the register after the first customer VLAN tag is detected, the following customer VLAN tags cannot overwrite the value.*

*Parsing is not continued for length encapsulated frames.*

### 3.8.2.2 MAC Bridging Table

The MAC bridging table is realized as a hash table with four collision buckets and holds the lookup key (MAC address, FID), control information (static indication, aging timer, changed indication) and the result (port or port map, MAC VLAN ID). A port map is a bitmap where each bit represents a single port. The port map allows to send the frame to multiple destination ports and is available for static entries only.

The Gigabit Ethernet Switch Macro supports shared and independent VLAN learning (SVL or IVL). It is achieved by mapping the default customer VLAN ID or a flow to a forwarding identifier (FID) used as part of the lookup key, together with the MAC address, for the MAC bridging table lookup. By default, FID is zero and all entries belong to shared VLAN learning. See [Shared/Independent VLAN Learning](#) for details on VLAN learning modes.

The Gigabit Ethernet Switch Macro supports MAC based VLAN. For example, it offers the possibility to extend the number of interfaces behind the same physical Ethernet port. The MAC VLAN ID represents a single sub-interface or a group of sub-interfaces behind a port. This is achieved by learning the MAC VLAN ID (shortened as MVID in this document) together with port ID. The MAC VLAN ID is carried via the Service VLAN Tag.

Entries are entered automatically by hardware (dynamic MAC address learning, described in [Dynamic Source MAC Address Learning and Aging](#)) or entered by software via manual learning. The software writes static entries into the MAC bridge table but it is also possible to write dynamic entries which are subject to aging.



The MAC bridge table is able to hold unicast, multicast or broadcast addresses. The table entries containing multiple egress ports as a destination, are entered only as static entries, by appropriate management action.

The MAC table is accessed by software to read out static or dynamically learned entries and optionally modify them. The following access modes are supported. For each access, a 12-bit MAC table pointer is returned.

- By KEY: MAC address and FID.
- By a 12-bit MAC table pointer
- By reading next valid entry
- By reading next changed entry. The changed entry is the entry added, updated or removed (invalidated) after the last read.

*Note: Due to the table 4-bucket hash architecture, some MAC addresses may be rejected while others may still be added.*

Dynamic Entry						
MAC address	FID	static=0	Port ID	age time	"Changed" Flag	VLAN ID
Static Entry						
MAC address	FID	static=1	port map		VLAN ID	

**Figure 27 MAC Bridge Table Entry Formats**

### Bridging Table Flushing

When all learned entries must be removed, the complete MAC bridging table can be cleared by hardware automatically, with the help of an automated flushing function. This function removes all entries, static as well as dynamic ones. The flush function is triggered by writing 1<sub>B</sub> to MTFB bit in PCE\_PCTRL\_0.

### 3.8.2.3 MAC Based Forwarding

For each frame the MAC destination address and the FID form, a lookup key is used to determine the destination port (or port map) and MAC VLAN ID. The lookup key is hashed and the hash index is used to address the MAC bridging table and read out the contents of the four buckets. The result of the lookup is an egress port (or multiple ports in case of a multicast entry) and MAC VLAN ID. In case the egress port or port map is programmed to all-zero, the frame is discarded.

### Default Forwarding

When no match for the destination MAC address + FID pair is found in the Bridging table, the default port map is used. A default port map is configured for L2 unicast (via PCE\_PMAP\_3) and L2 multicast/broadcast (via PCE\_PMAP\_2) addresses separately. After reset, unknown destinations are flooded to all egress ports. MAC VLAN ID is "NULL" (all 0) for unknown unicast, unknown multicast and broadcast.

### 3.8.2.4 Dynamic Source MAC Address Learning and Aging

The MAC bridging table is populated automatically when learning is enabled on the ingress port. The lookup key (concatenation of the source MAC address and the FID) is hashed and the index is used to address the MAC bridging table.

Dynamic learning operates in the following way:

- **Match Found:** When the entry is found and the PortID+MVID association with SA+FID is unchanged, the entry aging timer is refreshed. When the entry contains a different port number or different MVID, the old PortID + MVID in the entry is replaced by the new PortID+MVID.

*Note: Static entries are not modified by dynamic learning function. When the matched entry is static, the association is not changed.*

- **No Match - Table not full:** When the SA+FID pair is not found in any of the collision buckets and an empty bucket exists for this hash index, the lookup key is stored together with the PortID+MVID pair and the aging timer is refreshed.
- **No Match - Table full:** When the SA+FID pair is not found and there are no available entries (i.e. all collision buckets are full) and LRU mode (Least Recently Used) of the switch is enabled, the oldest entry (lowest age time) is replaced by the new lookup key and new PortID+MVID pair. When the LRU mode is disabled, no entry is overwritten and the source MAC address is not learned.
- **No Match - All static:** When the SA+FID pair is not found and all the collision buckets for this hash index are occupied by static entries, no entry is overwritten and the source MAC address is not learned.

The dynamic learning of SA+FID pair is performed only when all of the following conditions are fulfilled.

- The source MAC address is a unicast address.
- Learning is enabled on the ingress port.
- The frame discarded by the filtering function is not due to ingress reasons (e.g., VLAN filtering, Flow Classification filtering).
  - See [Flow Classification Function](#) for details.
- The bridging table is not full or table is full but overwriting existing entry is allowed.
- The number of entries for the port does not exceed the learning limit when MAC learning limitation is enabled. See [MAC Learning Limitation](#) for more details.
- The ingress PortID+MVID is identical to the stored PortID+MVID pair in the MAC bridge table when stored port MAC port locking is not enabled and the receiving port MAC spoofing is not disabled. See [MAC Port Locking and MAC Port Spoofing Detection](#) for more details.

When a packet SA+FID pair is new or its association with the PortID+MVID pair is changed, the packet can be mirrored to the monitoring port. This feature is switched on or off (default) via configuration (VIO\_9 bit in PCE\_PCTRL\_3) per ingress port.

### MAC Address Aging

To avoid table overflow over time, the entries learned must be removed once they have not been used for a certain amount of time. This functionality is covered by the aging process, which removes bridging table entries after a configurable time of inactivity (age time). The range of the age time reaches from 1 s up to more than 24 hours. A typical value of 300 s is used by default. Static entries do not age out, they must be deleted by software. The aging is enabled or disabled per ingress port. When disabled, addresses learned from this port are not aged out.

### Shared/Independent VLAN Learning

When the VLAN function is used, each VLAN group is mapped to the Filtering Identifier (FID). Single or multiple VLAN groups are assigned to the same or to different FIDs. VLANs assigned to the same FID perform SVL. VLANs assigned to different FIDs perform IVL. The source MAC address of the received frame is learned using either the IVL or SVL method. Shared and independent VLAN learning is defined as follows:

- **Independent VLAN Learning**  
Each VLAN uses its own filtering database. The source MAC address learning is performed as a result of incoming VLAN traffic and is not made available to any other VLAN for forwarding purposes. One FID is assigned per VLAN group.
- **Shared VLAN Learning**  
Two or more VLANs are grouped to share common source MAC address information. This setting is useful for configuring complex VLAN traffic patterns without forcing the switch to flood the unicast traffic in each direction. Addressing information is shared among VLANs. One FID is used by two or more VLAN groups.

By default, all VLAN groups are assigned to the same FID (FID=0) and Shared VLAN Learning is performed for the source MAC addresses.

### 3.8.2.5 Layer 2 Security

This section summarizes the L2 security features of the GSWIP. The L2 security features comprise:

- IEEE 802.1X
- MAC Learning Limitation, allows only a limited number of MAC addresses to be learned on a port.
- MAC Port Locking and MAC Spoofing Detection, allows only frames with a previously learned MAC and PortID association.
- MAC Table Freeze, allows only frames with previously learned MAC addresses.
- Source MAC Address Filtering and Destination MAC Address Filtering, filters user defined MAC addresses.

#### IEEE 802.1X (Port-based Authorization) Support

Gigabit Ethernet Switch Macro supports the port states required for the 802.1X - Port Based Authorization and Network Access Control Protocol functionality. The following states are supported per port:

- Not Authorized. In this state, all frames received on the port are dropped, the source MAC address is not learned. Not authorized port is not taken as a destination for any frame received on another port.
  - EAPOL frames can ignore the port state and be received and forwarded to the original destination.
- Authorized for Ingress Traffic only. In this state, all regular traffic received on the port is accepted. However, the port is not allowed to transmit any traffic. This port is not taken as a destination for any frame received on another port.
  - EAPOL frames can ignore the port state and be received and forwarded to the original destination.
- Authorized for Egress Traffic only. In this state, all regular traffic received on the port is discarded. The port is allowed only to transmit traffic. This port can be taken as a destination for any frame received on another port.
  - EAPOL frames can ignore the port state and be received and forwarded to the original destination.
- Authorized. Normal operation, ingress and egress traffic on this port is enabled for all frames.

When both protocols, STP and IEEE 802.1X, are enabled - port states for the 802.1X are effective only when STP port state is set to Forwarding.

#### EAPOL frames forwarding

The Gigabit Ethernet Switch Macro supports special forwarding rules for the Extensible Authentication Protocol over LAN (EAPOL) frames used by the 802.1X protocol to exchange authentication information. EAPOL frames are identified by the unique group destination MAC address 01:80:C2:00:00:03<sub>H</sub>, and the Ethernet Type 88 8E<sub>H</sub>.

When the 802.1X functionality is enabled, the EAPOL frame forwarding is added as a dedicated rule to the Traffic Flow Table with a special action to ignore (cross) any states configured for the ingress or egress ports. The EAPOL frames must be forwarded to the defined CPU port or any other port where managing entity is connected for further 802.1X processing.

#### MAC Learning Disable

The MAC learning is disabled (via LNDIS bit in PCE\_PCTRL\_3) per ingress port. When MAC learning is disabled, the source MAC address is not learned and MAC learning limitation is not checked.

#### MAC Learning Limitation

The number of MAC addresses allowed to be learned are limited per port. This feature provides protection from DoS attacks and avoids bridging table overflow by single ports sending too many frames with different source MAC addresses.

By default, the number of MAC addresses learned by the switch is only limited by the size of the internal MAC bridging table. When MAC learning limitation is enabled on the ingress port and the programmed limit is reached, no more addresses are learned for this specific port. Dynamic learning is still enabled on other ports. The learning limitation violation is indicated to the software and the violating frame is configured to be discarded or forwarded as a normal frame. Regardless of the forwarding action, the source MAC address of the violating frame is not learned. Refreshing of already stored addresses is allowed and not considered a violation.

The learning limitation configuration may be changed (increased or decreased) during run-time. When number of addresses that can be learned on the port increased from the previous limit, more addresses from that port may now be added to the table. When the number of addresses that can be learned on the port decreased, no new addresses are learned and no active flushing is performed to reach the learning limitation. Addresses are expected to be aged out.

*Note: The setting learning limitation to zero disables the dynamic learning on that port, the source MAC address is looked up and violating frame can be configured to be discarded or forwarded.*

**Table 29** describes the MAC learning disable, MAC learning limitation and corresponding behavior.

**Table 29 MAC Learning Disable and MAC Learning Limitation Description**

LNDIS in PCE_PCTRL_3 (per ingress port)	LRNLIM in PCE_PCTRL_1 (per ingress port)	PLIMMOD in PCE_GCTRL_0 (global)	Description
1 <sub>B</sub>	Don't care	Don't care	Source MAC address is not learned, the packets are not dropped
0 <sub>B</sub>	!= 255	0 <sub>B</sub>	Source MAC address is not learned and packets are dropped when learning limitation is exceeded. Source MAC address is learned and packets are not dropped when learning limitation is not exceeded.
0 <sub>B</sub>	!= 255	1 <sub>B</sub>	Source MAC address is not learned and packets are not dropped when learning limitation is exceeded. Source MAC address is learned and packets are not dropped when learning limitation is not exceeded.
0 <sub>B</sub>	255	Don't care	Source MAC address is learned and packets are not dropped.

### MAC Port Locking and MAC Port Spoofing Detection

The port locking and spoofing detection function are intended to prohibit MAC spoofing attacks.

Ingress traffic from a port carrying a source MAC address that has previously been learned on a different port (port locking enabled on the stored port) is considered a violation. When a port locking violation is detected, this can be indicated to the software and the violating frame can be configured to be discarded. Regardless of the forwarding action, source MAC address of the violating frame is not learned.

Ingress traffic from the port on which port spoofing detection is enabled (via SPFDIS bit in PCE\_PCTRL\_0) carrying a source MAC address that has previously been learned on a different port (regardless of its port locking setting) is considered a violation. When port spoofing is detected, this can be indicated to the software and the violating frame can be configured to be discarded (via SPFMOD bit in PCE\_GCTRL\_1). Regardless of the forwarding action, source MAC address of the violating frame is not learned. MAC Port Spoofing detection function allows moving a MAC addresses to the port on which spoofing detection is disabled.

This feature ensures that a malicious user cannot spoof another user MAC address and gain illegitimate access to data traffic that he does not own.

When a user must change from one port to another, a wait time up to the configured aging time is required to be able to re-connect. When the locked MAC address is a static entry or when the aging time is too long, moving users between ports on which spoofing detection are enabled or port locking are enabled requires management interaction.

### MAC Table Freeze

MAC Table Freeze can be enabled globally to freeze the MAC address table. When enabled no new entries can be entered into the MAC address table even when learning is enabled on the port. Refreshing of existing entries is performed, also when learning is disabled (by setting learning limitation to zero). This feature allows to learn the MAC addresses from the connected stations for a given time and then freeze the MAC address table. Afterwards no new MAC addresses are learned. When learning is enabled and port locking is disabled, known stations are allowed to move. When port locking is enabled or learning is disabled, station moves are not allowed. When a freeze violation is detected it can be configured to either discard the frame or to forward the frame. When the frame is to be discarded it can be configured to send it to the monitoring port. The freeze violation can be indicated to the software via a maskable interrupt.

### Source MAC Address Filtering

A static MAC Table entry for specific source MAC address + FID pair can be programmed with a NULL (all-zero) value for the associated port map. When the source MAC address + FID pair of the received frame matches the configured entry, the frame is discarded. This function can be enabled or disabled per port.

Dedicated violation indication is asserted for any frame that has been discarded.

### 3.8.2.6 Spanning Tree Protocol Support

Gigabit Ethernet Switch Macro supports the port states required for the Spanning Tree Protocol (STP) functionality. 16 spanning tree instances per port are supported. Each Spanning Tree instance is associated with least significant 4 bits of the Filtering Identifier (FID) and a port. The port state programmed for one FID does not have effect on the behavior of another FID of the same port. The following states are supported per STP instance:

- **Disabled:** When disabled, all ingress frames are dropped, the source MAC address is not learned. All egress frames are discarded.
- **Blocking/Listening:** In this state, all ingress and egress regular traffic is discarded. BPDU frames can ignore the port state and be forwarded to the STP managing entity. Source MAC address is not learned in this state.  
*Note: To be recognized by the switch, BPDU frames must be defined in the appropriate rule in Traffic Flow table.*
- **Learning:** In this state, all ingress and egress regular traffic is discarded. Source MAC address is learned in this state. BPDU frames can ignore the port state and be forwarded to the STP managing entity.  
*Note: To be recognized by the switch, BPDU frames must be defined in the appropriate rule in Traffic Flow table.*
- **Forwarding:** Normal operation, ingress and egress traffic is enabled for all frames.

### BPDU frames forwarding

Gigabit Ethernet Switch Macro supports special forwarding rules for the Bridge Protocol Data Unit (BPDU) frames used by the STP protocol to exchange information about bridge IDs and root path costs. BPDU frames identified by the unique group destination MAC address 01:80:C2:00:00:00<sub>H</sub>.

When STP functionality is enabled, BPDU frame forwarding is added as a dedicated rule to the Traffic Flow Table with a special action to ignore (cross) any states configured for the ingress or egress ports. BPDU frames must be forwarded to the defined CPU port or any other port where managing entity is connected for further STP processing.

### 3.8.2.7 Reserved MAC Addresses

The IEEE standard defines group destination MAC addresses in the range from 01:80:C2:00:00:00<sub>H</sub> to 01:80:C2:00:00:FF<sub>H</sub> as reserved. The Gigabit Ethernet Switch Macro can be configured to disable the forwarding of the frames containing reserved addresses. In this case a dedicated rule is added to the Traffic Flow Table with an action to discard any frame within the reserved address range.

### 3.8.2.8 Flow Control Function

To prevent buffer congestion and packet drop the Gigabit Ethernet Switch Macro supports a flow control mechanism. In full duplex operation the sender is notified to start or stop the transmission via a PAUSE frame based on the IEEE 802.3x standard. The Gigabit Ethernet Switch Macro is able to transmit/receive and react accordingly to 802.3x flow control frames. In half duplex operation, the Gigabit Ethernet Switch Macro supports a back pressure mechanism, specifically, a jam pattern is transmitted on the port forcing a collision. Flow control can be enabled or disabled per port. When enabled, it depends on the auto-negotiation result of the attached PHY.

Flow control is applied in the following ways.

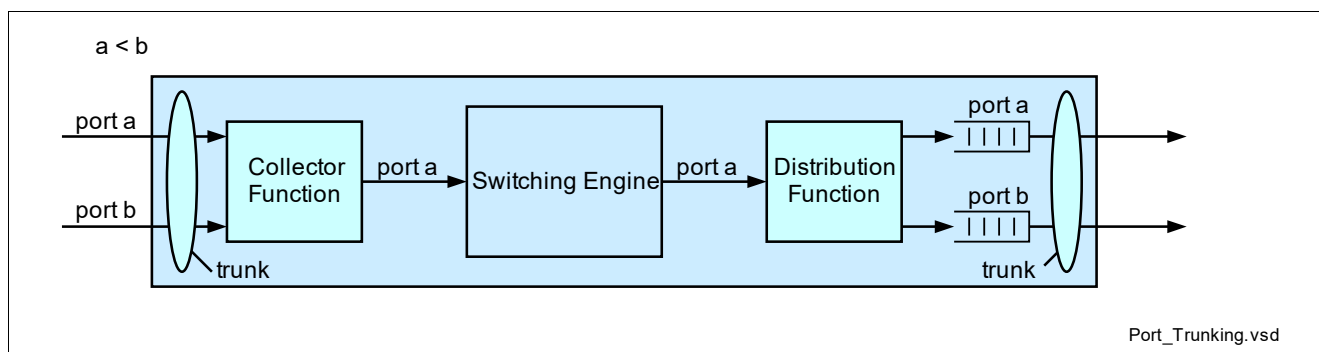
When flow control on a port is activated by any one of the following triggerings, flow control is activated on that port.

When flow control on a port is deactivated by all the following triggerings, flow control is deactivated on that port.

- **Global flow control:** Flow control is activated when the global buffer congestion level exceeds a programmable global threshold and is deactivated when the global buffer congestion level is below a programmable global threshold. The flow control applies to all enabled ports.
- **Ingress port congestion based flow control:** Flow control is activated when the ingress port local buffer congestion level exceeds a programmable local threshold (via SDMA\_PFCTHR9) and deactivated when the local buffer congestion level drops below a programmable local threshold (via SDMA\_PFCTHR8). The flow control applies to each port individually.
- **Ingress port metering based flow control:** When the global buffer filling level exceeds a programmable global threshold (via SDMA\_FCTHR2), flow control is activated on the port that exceed the configured ingress rate. When the global buffer filling level drops below a programmable threshold (via SDMA\_FCTHR1) or the traffic rate is reduced below the configured rate, flow control is deactivated on the port. See [Rate Metering](#) for details regarding the metering based flow control and metering assignment.

### 3.8.2.9 Port Trunking Functions

Switch supports link aggregation according to IEEE 802.3ad. Link aggregation, also called port trunking, allows to combine multiple ports to a trunk for high bandwidth inter-switch links. A maximum of two ports form a trunk, there is no restriction on the port sequence used for the trunk (port 0 and port 1 may form a trunk but also port 0 and port 5 may form a trunk). The ports must have the same speed and must work in full duplex mode only, otherwise a proper trunking functionality cannot be achieved. Fault tolerance is not supported. When one link is broken or disabled for any reason (link on/off), packets are lost.



**Figure 28 Port Trunking Function**

When a frame was received on a trunk, the lowest port number of the trunk is used as ingress port by the collector function. This ingress port alone is used for the further processing, including learning and port security. The other port number (=higher port number of the trunk) is not used, all port parameters are taken from the lowest port number.

When a frame is to be transmitted on a trunk, the lowest port number of the trunk is the default port. Since the trunk consists of two ports it must be determined which of the ports is used for the transmission. This is done by a distribution function which evenly distributes the frames on the two ports of the trunk.

The distribution is according to either a hash function of 32-bit key (XOR of all bits) or a Flow classification action. The hash key consists of the following fields.

- MAC Destination Address (MAC\_DA): 8 bit only (MAC\_DA[7:0]), can be masked via DA bit in PCE\_TRUNK\_CONF
- MAC Source Address (MAC\_SA): 8 bit only (MAC\_SA[7:0]), can be masked via SA bit in PCE\_TRUNK\_CONF
- IP Destination Address (IP\_DA): 8 bit only, (IP\_DA[7:0]), can be masked via DIP bit in PCE\_TRUNK\_CONF
- IP Source Address (IP\_SA): 8 bit only, (IP\_SA[7:0]), can be masked via SIP bit in PCE\_TRUNK\_CONF

When a field is masked, all zero value is assumed for that field for hash calculation. When a packet is not an IP packet, all zero value is assumed for IP address.

The higher port number of a trunk must not be configured as destination port or in a destination port map.

When a link in a trunk goes down, the link is no longer used in the distribution function and the partner link gets all the frames. The egress queue of the disabled port is flushed.

When a link changes the speed we treat the port which has the lower speed same as link down.

The RMON counters must be triggered for each ingress and egress port separately.

Flow control is also separately triggered for each ingress port. Each egress port can be shaped individually. The combined rate shaping of the trunk is also supported.

### 3.8.2.10 Gigabit Media Access Control (GMAC) Functions

GMAC modules are part of the Gigabit Ethernet Switch Macro and provide the following functions:

- Duplex Modes
  - Each MAC module interface can work in full- or half-duplex mode at any of the provided speeds. The duplex mode can be configured via auto-negotiation (autopolling) or forced by register settings
- Preamble Generation
  - For each Ethernet frame, the MAC generates a preamble and at the Start of Frame Delimiter (SFD). During the generation of preamble and SFD, the pending data is delayed. In receive direction, the preamble and SFD are removed
- FCS Generation and Checking
  - The Frame Checksum (FCS) is a 32-bit CRC checksum that covers the destination address, source address, type field, and the payload data. The FCS of each frame is checked in receive direction and is regenerated in transmit direction. The generation of the FCS for an outgoing frame and the check of the FCS for an incoming frame can be disabled per port.
- Full Duplex Flow Control
  - In case the pause frame based flow control is enabled, the MAC generates a pause frame when a congestion situation is signaled. When this situation occurs while the MAC sends a normal frame, the MAC finishes the current transmission and then sends a pause packet. When the congestion situation ends, the MAC finishes the pending transmission and then sends a pause termination packet. The source address of the pause frames is configurable per switch port. A pause frame is identified by a type/length field of 88 08<sub>H</sub>. The following two bytes provide the opcode field. For pause operation the opcode is 0001<sub>H</sub>. The next two bytes specify the pause length. The pause length is always set to the maximum value of FFFF<sub>H</sub>, which instructs the link partner to seize transmission for 65535<sub>D</sub> slot times. To terminate the pause state, a pause frame with a pause time of 0000<sub>H</sub> is sent, allowing the link partner to resume data transmission. Each time the pause state exceeds the length of 65535<sub>D</sub>/4 = 16384<sub>D</sub> slot times, another pause frame is sent automatically to maintain the pause state.
  - Destination MAC address of the pause frame is 01 80 C2 00 00 01<sub>H</sub>.
  - The default source MAC address of the pause frame is AC 9A 96 00 00 00<sub>H</sub>. This can be changed by configuration.
- Half Duplex Flow Control
  - The flow control in half-duplex mode uses the back-pressure collision mechanism to take control over the media. When a congestion situation is signaled, the received frame is collided and MAC tries to occupy the

line with an egress frame transmission or a special back pressure pattern (in case no data pending for this port). When the congestion situation ends, the MAC resumes normal operation.

- Frame Padding
  - The minimum frame size of an untagged Ethernet frame is 64 byte. The MAC fills all Ethernet egress frames with padding bytes until the minimum frame size requirement is fulfilled. The minimum size is 68 byte for tagged frames (containing a single VLAN tag) and 72 byte for stacked frames (containing two VLAN tags). Frame padding can optionally be disabled for untagged, single or stacked frames separately.
- Jumbo Frame Support
  - The maximum frame size is configurable to support jumbo frames of 9K bytes and below.
- Energy-Efficient Ethernet Functions
  - For power saving purposes, the Low Power Idle (LPI) mode is supported as defined by IEEE 802.3az.
  - Recording of accumulated LPI state time period is supported. A 32-bit counter (accessible via MAC\_LPITMER0 and MAC\_LPITMER1) which counts the period during which the LPI idle state is maintained per port. The unit of the counter is 1 us. It is configurable to count one of the LPI state: RX LPI idle state, TX LPI idle state or both TX and RX in idle state.
- IFG Handling
  - The interframe gap (IFG) can be configured in receive and transmit direction. This allows the acceptance of frames with a short IFG of min. 8-bit times. It is possible to transmit frames with an IFG of 8 to 120 bit times. Typically the IFG is 96 bit times
- The MAC performs several checks on the received frame and signals the following errors. Typically frames with a receive error are discarded but it is also possible to monitor such frames or even ignore the error and process the frame like an error free frame.
  - PHY Error (rx\_error)
  - Alignment Error (align\_err)
  - Length Error (len\_error)
  - Oversized Frame (len\_toolong\_error)
  - Undersized Frame (len\_tooshort\_error)
  - FCS Error (crc\_error)
  - Pause Frame (pause\_frame)



### 3.8.3 VLAN Functions

This section describes VLAN Bridging functionality.

A VLAN is a Virtual Local Area Network, a grouping of network devices logically segmented by functions or applications without regard to the physical location of the devices. Ports in a VLAN share broadcast traffic and belong to the same broadcast domain. Any traffic in one VLAN is by definition not transmitted outside that VLAN. However, there are exceptions to this general rule which can be configured to cover certain system requirements. The following sections provide more details regarding the VLAN functionality.

#### 3.8.3.1 VLAN Association

The VLAN classification function associates each packet received on the ingress side with a specific VLAN group. VLAN association can be performed in one of two ways:

- **Implicit VLAN Association**

The VLAN group is based on packet attributes. When the association is based on the ingress port it is called port-based VLAN. When the association is based on the MAC address, it is called MAC-based VLAN. When the association is based on selected packet header fields (such as Ethernet Type, IP Protocol, IP Address Subnet, MAC Address, etc.), it is called protocol-based VLAN.

- **Explicit VLAN Association**

The VLAN group information is carried in a VLAN tag in the Ethernet header of the received packet. This association is called tag-based VLAN.

#### 3.8.3.2 VLAN QinQ

IEEE 802.1QinQ is an Ethernet networking standard formally known as IEEE 802.1ad and is an amendment to IEEE standard IEEE 802.1Q-1998. It is for Ethernet frame formats. The technique is also known as provider bridging, stacked VLANs or simply QinQ or Q-in-Q. The idea is to provide, for example, the possibility for customers to run their own VLANs inside service provider's provided VLAN. This way the service provider can just configure one VLAN for the customer and customer can then treat that VLAN as if it was a trunk.

The original 802.1Q specification allows a single VLAN header to be inserted into an Ethernet frame. QinQ allows multiple VLAN headers to be inserted into a single frame.

In this context, a QinQ frame is a frame that has two VLAN 802.1Q headers (double-tagged). A tag stack creates a mechanism for Internet Service Providers to encapsulate customer tagged 802.1Q traffic with service provider tag, the final frame being a QinQ frame.

A STAG (Service VLAN Tag) frame is identified by assignable Protocol Type value (typically 88A8<sub>H</sub>, but programmable) and followed by two bytes of TCI field. TCI field consists of 3-bit Priority Code Point (PCP) field, 1-bit Drop Eligible Indicator (DEI) and 12-bit VLAN Identifier field (VID).

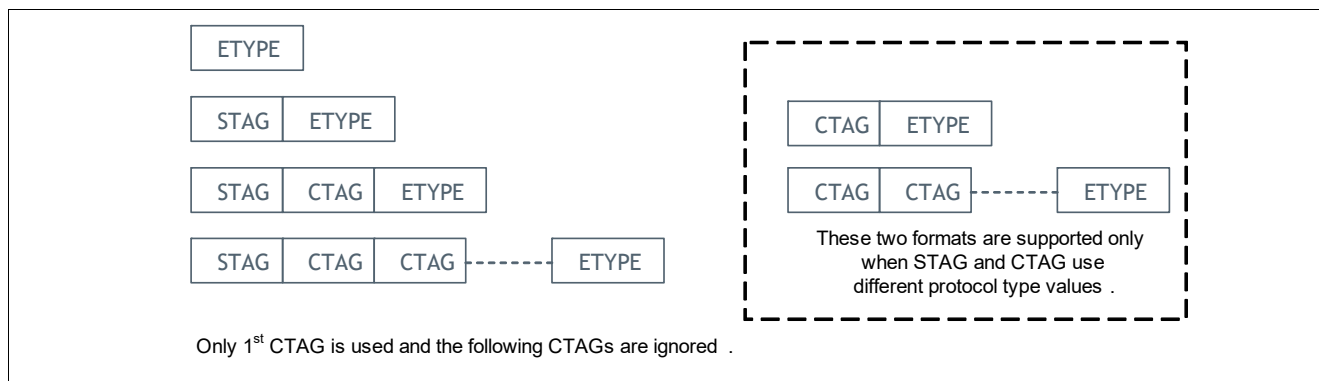
A CTAG (Customer VLAN Tag) frame is identified by an Protocol Type value (typically 8100<sub>H</sub>, but programmable) and followed by two bytes of TCI field. TCI field consists of 3-bit Priority Code Point (PCP) field, 1-bit Canonical Format Indicator (CFI) and 12-bit VLAN Identifier field (VID).

### 3.8.3.3 Supported Frame Format

STAG can be configured to be enabled or disabled per port via STEN bit in PCE\_PCTRL\_2.

**Figure 29** shows the supported frame formats when STAG is enabled on a port.

**Figure 30** shows the supported frame formats when STAG is not enabled on a port.



**Figure 29 Supported Frame Formats when STAG is enabled**



**Figure 30 Supported Frame Formats when STAG is disabled**

### 3.8.3.4 Double VLAN Tag Function

Double tag VLAN function is supported. Double VLAN mode is enabled via setting VLANMD bit in PCE\_GCTRL\_1 to 1<sub>B</sub>.

For every packet, there are two VLAN groups: STAG VLAN group and CTAG VLAN group.

STAG VLAN group can determine when CTAG VLAN group is ignored or not.

- When CTAG VLAN group is ignored, then CTAG VLAN is treated as payload, CTAG filtering, CTAG insertion and CTAG removal are not performed.
- When CTAG VLAN group is not ignored, CTAG filtering, CTAG insertion and CTAG removal are performed together with STAG filtering, insertion and removal. Both CTAG filtering and STAG filtering apply on the packet.

### 3.8.3.5 Filtering Identifier Assignment

Single or multiple VLAN groups can be assigned to the same Filtering Identifier (FID) or to different FIDs. There are the following ways to map the traffic to FID.

- Default customer VLAN ID (either ingress port CTAG VID or ingress STAG VID)
- Packet multiple fields via the traffic flow classification
  - A packet is associated to an alternative FID based on multiple fields of a packet, for example, ingress port, service VLAN Tag VID, customer VLAN Tag VID, Source MAC, Destination MAC, source IP, destination IP, etc. See [Section 3.8.6](#) for more details regarding traffic flow classification.

See [Shared/Independent VLAN Learning](#) for details on the shared/independent VLAN learning functionality.

### 3.8.3.6 VLAN Filtering

Received frame can be forwarded or discarded based on the VLAN group configuration and configured port attributes. The following sections describe the available filtering modes that can be applied.

#### CTAG and STAG Ingress Admit Mode

This mode is applied to ports to limit the ingress traffic to a certain profile, with respect to the embedded STAG and CTAG. The following filtering rules are relevant for both STAG and CTAG. There are separate mode configurations for STAG and CTAG. In case of contradiction, the discard rule has higher priority. For example, when according to CTAG filtering the frame is to be discarded and according to STAG filtering is to be admitted, the final rule is to discard the frame:

- Admit VLAN tagged frames only  
Only Ethernet frames that contain a VLAN tag in the Ethernet header are allowed on this port. When a received frame does not contain a VLAN tag, the frame is discarded.  
*Note: Priority tag (VID=000<sub>H</sub>) is not regarded as a VLAN tag, since it contains no explicit VLAN group. Priority tagged frames are discarded in this mode.*
- Admit untagged frames only  
Only packets containing no VLAN tag or containing a priority tag only (VID=000<sub>H</sub>) are allowed on this port. When a received frame contains a VLAN tag, the frame is discarded.
- Admit all  
Both tagged and untagged frames are allowed on the port.

The STAG ingress admit mode is configurable via SVINR field in PCE\_VCTRL of each port. The CTAG ingress admit mode is configurable via VINR field in PCE\_VCTRL of each port.

#### STAG VLAN Group and CTAG VLAN Group Port Members

The port members identify the group broadcast domain. The broadcast domain of the received packet is restricted according to the VLAN membership ports and is delivered only on ports belonging to the same broadcast domain.

The STAG VLAN group membership is configured via traffic flow classification action for the matched STAG VLAN group association. The CTAG VLAN group membership is configured via CTAG VLAN membership table.

By default, both STAG VLAN filtering and CTAG VLAN filtering apply. In case of contradiction, the discard rule has higher priority. For example, when according to CTAG filtering a port is not in the port member list, and according to STAG filtering the port is in the port member list, the final rule is that the port is not in the port member list. But the STAG VLAN group can determine whether the CTAG VLAN group is ignored or not. This is configured via traffic flow classification action for the matched STAG VLAN group association. When the CTAG VLAN group is ignored, then CTAG VLAN is treated as payload, CTAG filtering is not performed. See [Section 3.8.6](#) for details regarding traffic flow classification

#### CTAG and STAG Membership Filtering Mode

This mode enforces packet forwarding based on the port members in the associated VLAN group.

- Ingress Membership Filtering Mode  
The ingress port of the received frame is compared with the port members of the associated VLAN group. When this filtering mode is enabled, the packet is discarded when the ingress port is not contained in the port member list. The ingress membership filtering mode for STAG is configurable via SVIMR field in PCE\_VCTRL of each port. The ingress membership filtering mode for CTAG is configurable via VIMR field in PCE\_VCTRL of each port.
- Egress Membership Filtering Mode  
The egress membership filtering is the primary VLAN functionality. The egress port of the frame is compared with the port members of the associated VLAN group. When this filtering mode is enabled, the packet is discarded when the egress port is not contained in the port member list. When the frames are destined to multiple ports (multicast or broadcast packets), ports not included in the VLAN member list are excluded from

transmission and a copy of the frame is not delivered to these ports. The egress membership filtering mode for STAG is configurable via SVEMR field in PCE\_VCTRL of each port. The ingress membership filtering mode for CTAG is configurable via VEMR field in PCE\_VCTRL of each port.

- Ingress and Egress Membership Filtering Mode.

This mode is a combination of the previous two modes. In this mode, both ingress and egress ports are compared with the port member list of the associated VLAN group.

### Cross-VLAN Functionality

The Ethernet frames classified as cross-VLAN ignore any of the VLAN filtering modes for the ingress or egress ports and as such cross the VLAN boundaries.

The cross-VLAN classification is performed as part of the Traffic Flow classification function. See [Section 3.8.6](#) for details.

### 3.8.3.7 VLAN Tagging and Untagging

The tag members identify the group of egress ports on which the frame associated with the VLAN group must be transmitted as a VLAN-tagged frame. In this case, the associated VLAN is used for the VLAN ID of the transmitted frame.

#### STAG VLAN Tagging and Untagging

The ports with STAG VLAN enabled are the tag members of all STAG VLAN group. The STAG can be configured to be enabled or disabled per port via STEN bit in PCE\_PCTRL\_2.

#### CTAG VLAN Tagging and Untagging

The tag members is configured per CTAG VLAN group via VLAN membership table. But the STAG VLAN group can determine whether CTAG VLAN group is ignored or not. This is configured via traffic flow classification action for the matched STAG VLAN group association. When CTAG VLAN group is ignored, then CTAG VLAN is treated as payload, CTAG tagging and untagging is not performed and CTAG is not modified. See [Section 3.8.6](#) for more details regarding to traffic flow classification.

### 3.8.3.8 Transparent VLAN Mode

A port configured to Transparent VLAN Mode (TVM) ignores the explicit VLAN association and treats all received Ethernet frames as untagged frames, regardless of any existing VLAN tag in the Ethernet header. All tagged and untagged traffic on that port is associated with the port-based VLAN group. When the received packet contains a VLAN tag, this tag is treated as a part of the payload. There is separate transparent mode configuration for CTAG and STAG.

When STAG transparent mode is enabled, CTAG must be configured to transparent mode too, otherwise the switch's behavior is undefined. STAG transparent mode is configurable via STVM field in PCE\_VCTRL of each port. CTAG transparent mode is configurable via TVM field in PCE\_PCTRL\_0 of each port.

When transparent VLAN mode is enabled, ingress admit mode must be set to "Admit Untagged Frames Only" or "Admit All", since all frames are treated as if they were untagged frames.

### VLAN Stacking

When TVM is enabled, the VLAN tag member attribute has a slightly different functionality for tagged frames. When the received frame contains a VLAN tag and the egress port is one of the VLAN tag members, the port-based VLAN is added to the frame as an additional outer tag. When the egress port is not one of the tag members, the packet is transmitted without modification, with the original VLAN tag (if any).

### **VLAN ID=0 Handling**

It is configurable per ingress port when a frame with a VLAN ID=0 (priority tagged frame) must be handled like an untagged frame. When enabled, a priority tagged frame in transparent mode receives a single tag with VID=PVID. When disabled, a priority tagged frame in transparent mode receives a VLAN tag with VID=PVID on top of the priority tag (priority tag is tunneled in the PVID). The PCP of a priority tagged frame is still used even when the frame is handled like an untagged frame. Priority STAG VLAN handling mode is configurable via SVID0 field in PCE\_VCTRL of each port. Priority CTAG VLAN handling mode is configurable via VID0 field in PCE\_VCTRL of each port.

### **3.8.3.9 VLAN Security Mode**

When the VLAN security mode is enabled on an ingress port, all tagged and untagged traffic on that port is associated with the port-based VLAN group. There are separate mode configuration for STAG and CTAG. The STAG VLAN security mode is configurable via SVSR field in PCE\_VCTRL of each port. The CTAG VLAN security mode is configurable via VSR field in PCE\_VCTRL of each port.

When the received frame contains a VLAN tag and the egress port is port and tag member of the port-based VLAN group, the port-based VLAN replaces the original VLAN tag in the Ethernet header. When the egress port is port member but not tag member of the port-based VLAN group, the original VLAN tag is stripped prior to transmission. When the frame has been received with more than one VLAN tag, the outer tag is removed.

These are the differences between the TVM and VLAN security mode for tagged packets.

- Egress port is port and tag member of the port-based VLAN
  - Transparent VLAN Mode: The port-based VLAN tag is added in addition to any existing VLAN tag. The number of VLAN tags in the frame is increased by one.
  - VLAN Security Mode: The port-based VLAN tag replaces the existing VLAN tag. The number of VLAN tags in the frame remains the same.
- Egress port is port member but not tag member of the port-based VLAN
  - Transparent VLAN Mode: The frame is transmitted without modification, containing the original VLAN tag. The number of VLAN tags in the frame remains the same.
  - VLAN Security Mode: The original VLAN tag is removed from the frame. The number of VLAN tags in the frame is reduced by one.

### **3.8.3.10 Reserved VLAN Groups**

Any VLAN group in the active VLAN set can be assigned to a reserved VLAN group list by setting the reserved indication in VLAN membership table. The VLAN ID of a frame belonging to a reserved VLAN group can be replaced with the port-based VLAN group. When the frame contains a reserved VLAN tag and the egress port is port member and tag member of the port-based VLAN group, the port-based VLAN ID replaces the original VLAN ID in the Ethernet header.

The difference between VLAN Security and Reserved VLAN functions is that VLAN Security is applied on all traffic received on a certain port whereas Reserved VLAN is applied for a specific VLAN group on a certain port.

This feature applies only to CTAG.

### 3.8.3.11 VLAN Translation

Frames received with a certain VLAN ID can be modified on the egress and contain a different VLAN ID. The following sections describe the relevant functions related to the VLAN modification.

*Note: When applying the VLAN modification, the VLAN membership filtering rules are based on the egress (translated) VLAN group.*

#### STAG VLAN Translation

The egress STAG VLAN ID is one of the following:

- Ingress Port STAG VLAN ID in the following cases
  - Untagged packets
  - Ingress port is in STAG transparent mode
  - Ingress port is in STAG security mode
- Ingress STAG VLAN ID in the following cases
  - Tagged packets when the ingress port is not in transparent mode and not in security mode
- Alternative STAG VLAN ID
  - Alternative STAG VLAN ID is configured via traffic flow classification action for the matched STAG VLAN group association

#### CTAG VLAN Translation

The egress CTAG VLAN ID is one of the following:

- Ingress Port CTAG VLAN ID in the following cases
  - Untagged packets
  - Ingress port is in CTAG transparent mode
  - Ingress port is in CTAG security mode
  - The ingress CTAG VLAN ID is a reserved VLAN group ID
- Ingress CTAG VLAN ID in the following cases
  - Tagged packets when the ingress port is not in transparent mode, not in security mode and the not reserved VLAN group
- Alternative CTAG VLAN ID
  - Alternative CTAG VLAN ID is configured via traffic flow classification action for the matched CTAG VLAN group association

### 3.8.3.12 VLAN Priority Code Point

A dedicated Class of Service (CoS) is assigned based on either Service TAG VLAN Priority Code Point (PCP) and Drop Eligibility Indication (DEI) or Customer TAG VLAN Priority Code Point in the received VLAN-tagged frames. CTAG PCP, STAG PCP and DEI can be regenerated for tagged frames or generated for untagged frames, based on the CoS assigned to that packet.

See [Chapter 3.8.5](#) for details regarding the CoS assignment and PCP&DEI generation and re-generation.

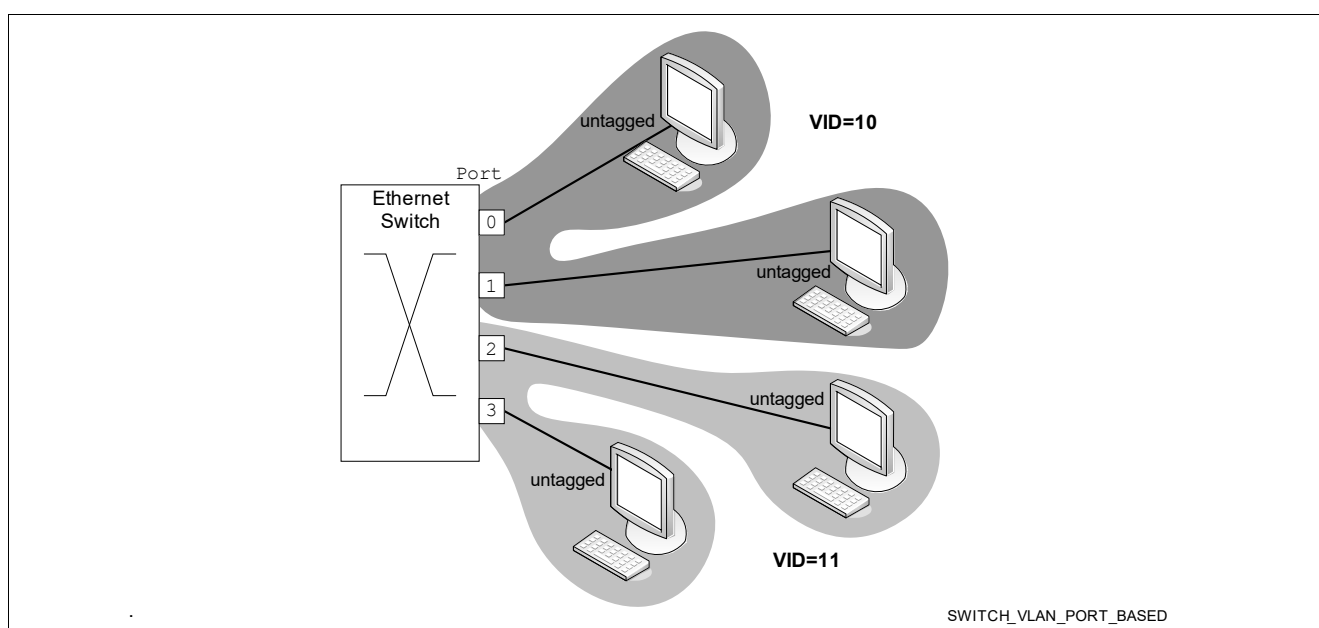
### 3.8.3.13 Port Based VLAN Examples

For a port-based VLAN group, the VLAN association is based on the ingress port number.

Every ingress port is configured with a port-based VLAN ID (PVID). The configured PVID must be part of the active VLAN set. Ingress ports configured with the same PVID belong to the same VLAN group. Any untagged packet received on a port is associated, by default, with the port-based VLAN group configured for that port.

#### Port-based VLAN Example

**Figure 31** shows an example where four LAN stations are connected to a single 4-port switch device. Two VLAN groups are set up with two port members for each group. The active VLAN set contains two groups: port 0 and port 1 are members of VID = 10, port 2 and port 3 are members of VID = 11. Ethernet frames are exchanged between port 0 and port 1 as well as between port 2 and port 3, but not between port 0/1 and port 2/3.



**Figure 31** Port-based VLAN Example

### 3.8.3.14 Single Tag Based VLAN Examples

In a tag-based VLAN group, the VLAN association is based on the outer customer VLAN tag detected in the header of the received Ethernet frame.

#### Tag-based VLAN Example

**Figure 32** shows an example where six LAN stations are connected to a single 6-port switch device. Three VLAN groups are added to the active VLAN set. Port 0 and port 1 are members of the port-based VLAN group with VID = 10, port 2 and port 3 are members of the port-based VLAN group with VID = 11. Port 4 is member of the port-based VLAN group with VID = 12. Port 5 is connected to a server and may transmit and receive tagged VLAN packets of any of the defined groups.

Every configured VLAN group adds port 5 as a port and tag member. In this case, packets received from one of the untagged (VLAN unaware) LAN segments are transmitted as tagged Ethernet frames when they are targeted to port 5. The attached VLAN tag is the port-based VID of the ingress port.

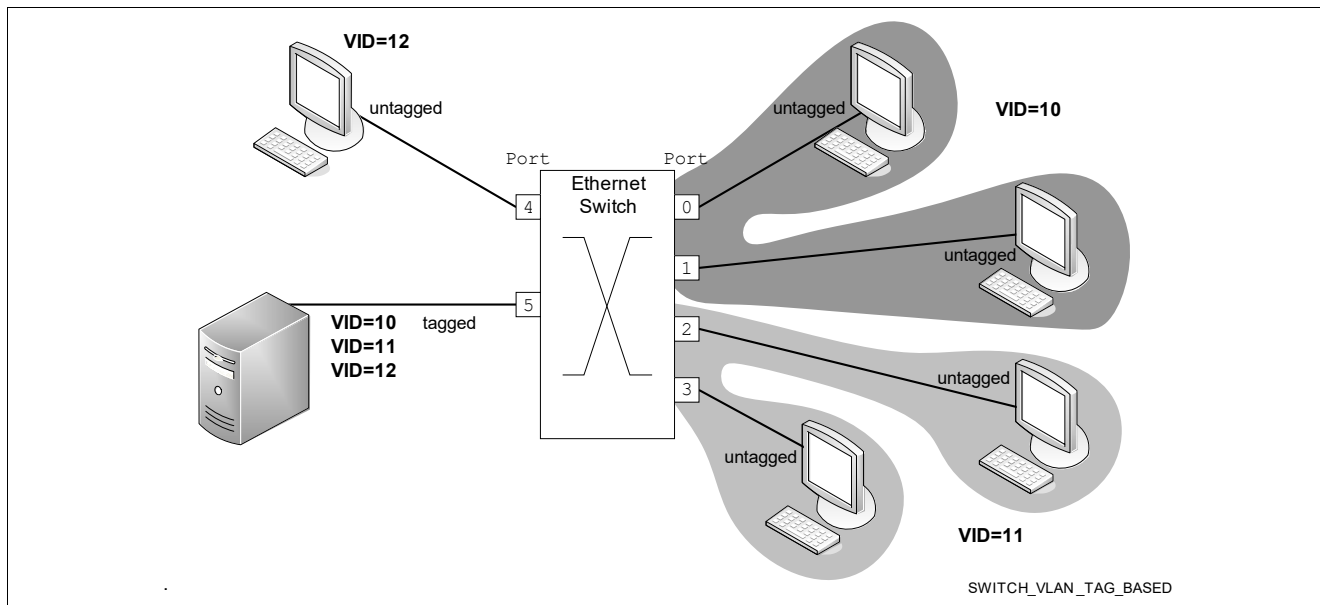


Figure 32 Tag-based VLAN Example

### 3.8.3.15 Double Tag Based VLAN Examples

In a double tag-based VLAN group, the VLAN association is based on STAG and CTAG detected in the header of the received Ethernet frame.

Figure 33 shows an example where six LAN stations are connected to a single 6-port switch device. Port 5 is connected to a server and may transmit and receive double tagged VLAN packets of any of the defined groups.

Table 30 Port Settings

Port	Port STAG Enable	Port SVID	CTAG Transparent Mode	Port CVID
0,1	Disable	301	No	Don't Care
2,3	Disable	302	Yes	11
4	Disable	301	Yes	12
5	Enable	Don't Care	No	Don't Care

Table 31 CTAG VLAN Membership Table

CTAG VLAN ID	CTAG Port Members	CTAG Tag Members
10	0, 1, 5	0,1,5
12	4, 5	5
11	2,3,5	Null

Table 32 Traffic Flow Table

STAG VID Pattern	Port Bitmap Action	Port Bitmap Multiplexing Control	Port Bitmap <sup>1)</sup>	VLAN Action	CTAG Ignore Control
301	1 <sub>B</sub>	1 <sub>B</sub> <sup>1)</sup>	0,1,4,5	0 <sub>B</sub>	Don't care
302	1 <sub>B</sub>	1 <sub>B</sub> <sup>1)</sup>	2,3,5	1 <sub>B</sub>	1 <sub>B</sub> <sup>2)</sup>

1) When Port Bitmap Multiplexing Control is 1<sub>B</sub>, Port BitMap is used as STAG Port Members.

2) When CTAG Ignore Control is 1<sub>B</sub>, CTAG VLAN group is ignored and CTAG is treated as transparent.



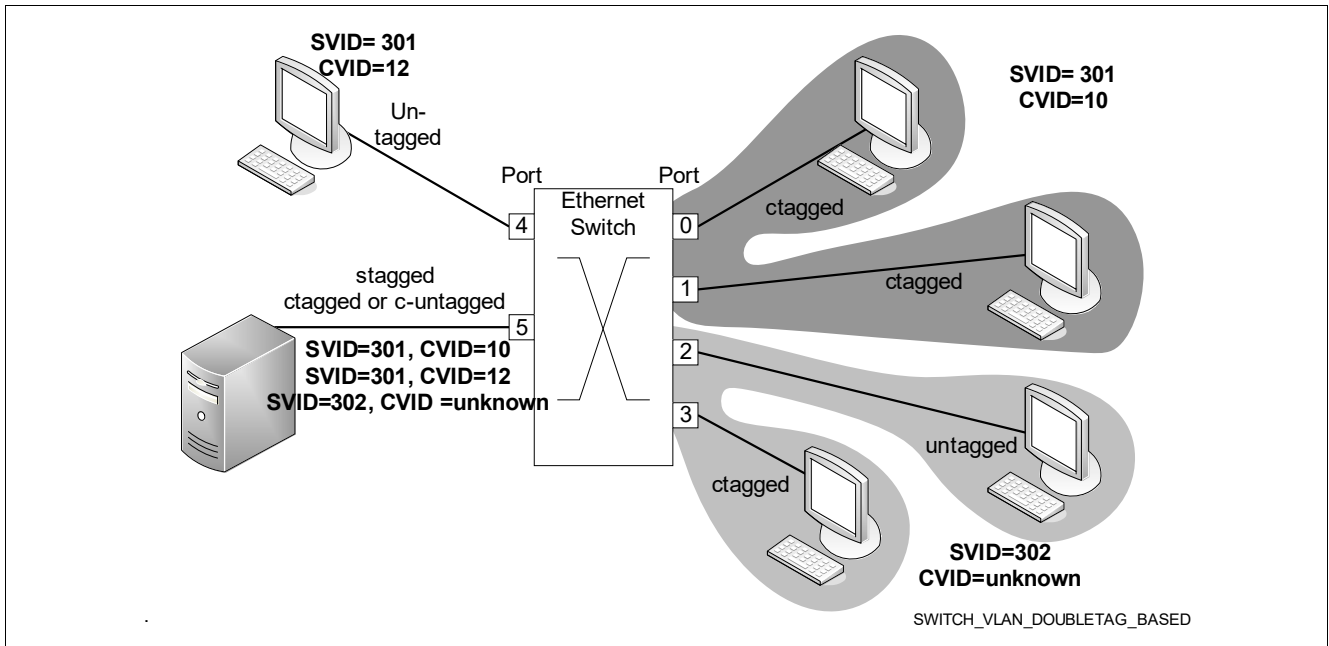


Figure 33 Double Tag and Port based VLAN Example

### 3.8.4 Multicast Forwarding Functions

Multicast forwarding is a method of forwarding Ethernet frames or IP datagrams to a group of receivers. A basic Ethernet switch floods all received multicast frames to all output ports even when no host on a port is interested in that particular multicast stream. This waste of bandwidth is avoided by the sophisticated multicast handling of the Gigabit Ethernet Switch Macro which allows to forward multicast frames based on L2 or L3 addresses to dedicated ports. In addition the Gigabit Ethernet Switch Macro is able to learn L3 multicast group addresses via IGMPv1/2 snooping in hardware.

The Gigabit Ethernet Switch Macro can be configured to ignore L3 information and forward multicast frames based on MAC destination address only. In this case, L2 multicast addresses must be added to the bridging table with the appropriate port members and is populated by software.

When L3 multicast handling is enabled and the packet contains an IP multicast address, a lookup in the dedicated L3 multicast table is performed. The frame is forwarded to the destination port (or multiple destinations) based on the match result. When the frame contains no IP multicast address or when there was no match in the L3 multicast table, a lookup based on the MAC address is done in the bridging table. A lookup match results in a port map which indicates relevant destination ports. [Table 33](#) describes frame forwarding decision. When there was no match in the bridging table, the non-IP multicast frame is forwarded according to the default multicast port map (via PCE\_PMAP\_2). When there is no match in bridging table and no match in L3 multicast table, the IP multicast data frame (IP protocol is not IGMP and MLD) is discarded or forwarded to default multicast port map. IGMP or MLD message frames are forwarded according to IGMP/MLD types.

*Note: The lookup in the L2 bridging tables is done with the MAC address regardless whether the address is a unicast, multicast or broadcast address. This means that a mix of unicast, multicast and broad cast entries can be entered into the tables and that unicast addresses can also be forwarded to multiple ports. The lookup in the IP multicast table is done with the IP address only when the address is IP multicast.*

**Table 33 Multicast Forwarding Decision**

Forwarding Mode	Packet Type	L3 Multicast Table	Bridging Table	Destination Result
L2 only	Don't Care	Don't Care	No Match	Default multicast port map (configured via PCE_PMAP_2).
L2 only	Don't Care	Don't Care	Match	Bridging Table, matched entry port members.
L2 / L3	IGMP/MLD Control	See <a href="#">Table 36</a> .		
L2 / L3	IP Multicast (Excluding IGMP/MLD Control Packets)	Match	Don't Care	L3 Table, matched entry port members.
L2 / L3	Any Multicast (Excluding IGMP/MLD Control Packets)	No Match	Match	Bridging Table, matched entry port members.
L2 / L3	IP Multicast (excluding IGMP/MLD Control Packets)	No Match	No Match	Two Options (configured via UKIPMC bit in PCE_GCTRL_1): 0: Default multicast port map (default mode) 1: Discard
L2 / L3	Non-IP Multicast	No Match	No Match	Default multicast port map.

The <Informative> IPv4 multicast addresses are in the group historically called Class D, based on the leading bits of these addresses. The group includes the addresses from 224.0.0.0 to 239.255.255.255, or, equivalently, 224.0.0.0/4. The multicast addresses in IPv6 have the prefix ff00::/8<sub>H</sub>. On Layer-2, IPv4 multicast packets are delivered by using the Ethernet MAC address range 01:00:5e:00:00:00<sub>H</sub> - 01:00:5e:7f:ff:ff<sub>H</sub>. This is 23 bits of available address space. The first octet includes the broadcast/multicast bit. The lower 23 bits of the 28-bit

multicast IP address are mapped into the 23 bits of available Ethernet address space. This means that there is ambiguity in delivering packets. When two hosts on the same subnet each subscribe to a different multicast group whose address differs only in the first 5 bits, Ethernet addresses for both multicast groups are the same. For IPv6 The multicast addresses, the Ethernet MAC address is derived by the four low order octets OR'ed with the MAC address 33:33:00:00:00:00<sub>H</sub>.

### 3.8.4.1 Layer-2 Multicast Forwarding

The layer-2 multicast forwarding function deals with multicast frame forwarding based on the Ethernet MAC address. The destination port map is looked up in the Bridging table. The multicast addresses are not added to the Bridging table by automatic learning function and must be configured manually, by appropriate management action. The associated port map contains all the relevant port members. When the destination MAC address of the received frame matches the entry in the Bridging table and the Forwarding Mode is Layer-2 only or there was no match in the Layer-3 multicast table or the packet is Non-IP multicast, the frame is delivered to all the destinations specified in the associated port map.

The <Informative> MAC Address is defined as multicast when the least significant bit of the most significant byte is set to “1<sub>B</sub>”. The broadcast Address (MAC address =FF:FF:FF:FF:FF:FF<sub>H</sub>) is a special case and treated in this description as Multicast.

### 3.8.4.2 Layer-3 Multicast Forwarding

Layer-3 Multicast function deals with multicast frame forwarding based on the IPv4 or IPv6 Network Address. The destination port map is looked up in the L3 multicast table.

The lookup in the multicast table is performed using the destination IPv4/IPv6 address and optionally the source IPv4/IPv6 address. The addresses in the table are added automatically by hardware based IGMP snooping or by appropriate management action. See [IGMP and MLD Snooping](#) for details. In any source multicast (ASM) as in IGMPv1/IGMPv2/MLDv1, the source IP information is not required, in source specific multicast (SSM) as in IGMPv3/MLDv2 the source IP information is used for the lookup. For SSM, the include and exclude mode is supported. In include mode, the packets are forwarded to the multicast group address when they come from a specified IP source address (or multiple addresses). In exclude mode, the packets are forwarded to the multicast group address when they do not come from a specified IP source addresses.

### 3.8.4.3 IGMP and MLD Snooping

The Gigabit Ethernet Switch Macro supports IGMP (Internet Group Management Protocol) and MLD (Multicast Listener Discovery) snooping. IGMP/MLD snooping is designed to prevent hosts on a local network from receiving traffic for a multicast group they have not explicitly joined. It provides a mechanism to prune multicast traffic from links that do not contain a multicast listener (IGMP/MLD group member). IGMP/MLD snooping requires the Gigabit Ethernet Switch Macro to examine, or snoop, some Layer-3 information in the IGMP/MLD packets sent between the hosts and the router. In addition, adjacent routers also use these protocols to communicate and share routing information. This information exchange can be snooped as well to identify the multicast router port.

The Gigabit Ethernet Switch Macro supports HW-based IGMP snooping mode for the IGMPv1/IGMPv2 protocols. In this mode, the L3 multicast addresses are added to the multicast table or removed from it automatically, based on the relevant IGMP reports. No software intervention is required in this mode. See [HW Based IGMP Snooping](#) for details.

The Gigabit Ethernet Switch Macro supports SW-based IGMP/MLD snooping mode for the IGMPv1/2/3 or MLDv1/2 protocols. In this mode, specific IGMP/MLD reports can be intercepted by the switch and delivered to the CPU/Network Processor port. The reports are analyzed by the CPU and the L3 multicast table is populated by the SW with appropriate source/destination addresses. See [SW Based IGMP/MLD Snooping](#) for details.

## HW Based IGMP Snooping

When HW-based IGMP snooping is enabled, the Gigabit Ethernet Switch Macro analyzes all IGMPv1/IGMPv2 packets between hosts connected to the switch and multicast routers in the network. [Table 34](#) and [Table 35](#) describe the packet structure of IGMP messages intercepted by the switch, these patterns are added as a dedicated rule to the Traffic Flow Table. [Table 34](#) describes the messages sent by the multicast host and [Table 35](#) describes the messages sent by the multicast router.

**Table 34 Multicast Host Messages**

Field	IGMPv1 Report	IGMPv2 Report	Leave
MAC_DA	01 00 5E <sub>H</sub> --IP_DA	01 00 5E <sub>H</sub> --IP_DA	01 00 5E 00 00 02 <sub>H</sub>
Ethertype	0800 <sub>H</sub>	0800 <sub>H</sub>	0800 <sub>H</sub>
IP Protocol (=IGMP)	02 <sub>H</sub>	02 <sub>H</sub>	02 <sub>H</sub>
IP_SA	Host_IP Address	Host_IP Address	Host_IP Address
IP_DA	Group_IP_Address	Group_IP_Address	224.0.0.2 or Group_IP_Address
Type	12 <sub>H</sub>	16 <sub>H</sub>	17 <sub>H</sub>
Max. Response Time	0	0	0
Group Address	Group_IP_Address	Group_IP_Address	Group_IP_Address

**Table 35 Multicast Router Messages**

Field	Solicitation	Advertisement	General Query	Group Specific Query
MAC_DA	01 00 5E 00 00 02 <sub>H</sub>	01 00 5E 00 00 6A <sub>H</sub>	01 00 5E 00 00 01 <sub>H</sub>	01 00 5E <sub>H</sub> --IP_DA
Ethertype	0800 <sub>H</sub>	0800 <sub>H</sub>	0800 <sub>H</sub>	0800 <sub>H</sub>
IP Protocol (=IGMP)	02 <sub>H</sub>	02 <sub>H</sub>	02 <sub>H</sub>	02 <sub>H</sub>
IP_SA	Router_IP Address	Router_IP Address	Router_IP Address	Router_IP Address
IP_DA	224.0.0.2	224.0.0.106	224.0.0.1	Group_IP_Address
Type	31 <sub>H</sub>	30 <sub>H</sub>	11 <sub>H</sub> <sup>1)</sup>	11 <sub>H</sub>

1) For IGMPv1 the type = 1 but together with the version = 1 a IGMPv2 host sees 11<sub>H</sub>

When the switch detects an IGMP report or join group message sent from a host for a given multicast group, the switch adds the host's port number to the multicast table entry for that group. When a IGMP leave group message is received from a host, the host's port number is removed from the appropriate table entry when fast leave (also called immediate leave) mode is enabled. See the following sections for details.

### Joining Multicast Group:

When the Gigabit Ethernet Switch Macro receives a host membership report on one of the ingress ports and HW-based IGMP snooping is enabled, this port is added to the specified multicast group in the L3 multicast table. When there was no such group entry in the table, a new entry is created with the appropriate group IP address. Received membership report is forwarded to the multicast router port (or multiple router ports).

### Report Suppression:

The Gigabit Ethernet Switch Macro supports suppression of membership reports or join messages to reduce processing load of the multicast router. When report suppression is enabled, only the first report for specific group is forwarded to the router port. The rest of the reports from the other hosts are discarded. The suppression can be configured per port and can be selected separately for join or report messages.

Join message is an IGMP membership report from a host that previously did not participate in a group.

#### Leaving Multicast Group:

When a host wants to leave a multicast group it can send a Leave message (IGMPv2) or should not send a Report message after a Query (IGMPv1). A Leave message is sent to the all-routers multicast group (224.0.0.2) or to the group a host wants to leave.

Each port in the joined group maintains an aging timer. Repeated Reports refresh the timer. When no Reports are received for a particular group before this timer expires, the router assumes the group has no local members and does not require forward multicast frames for that group. Robustness variable is supported and determines how often the response timer is allowed to expire before the port is actually deleted. When the port map becomes zero the whole entry is deleted from the L3 multicast HW table. The response timer is reset each time a new query was received.

The age time for the entries is derived from the response time received in the IGMP Query messages. For a group specific query the response time is used only for the corresponding group, for a general query the response time is used for all the groups. It can be programmed that the default response time is used instead of the response time from the query message.

The Gigabit Ethernet Switch Macro supports a fast leave (also called immediate leave) feature. When fast leave is enabled and an IGMP Leave is received, the port from which the IGMP packet was received is cleared immediately from the port map of the corresponding group IP address. When the port map is empty, the group IP address and port map are deleted from the L3 multicast HW table. When fast leave is not enabled, the ports and group IP addresses age out when no reports have been detected for a given time.

*Note: Enable fast leave mode where only one host is connected to each interface. When fast-leave is enabled where more than one host is connected to an interface, some hosts might be dropped inadvertently.*

#### Router Port Detection:

The Gigabit Ethernet Switch Macro supports automatic detection of the multicast router port, based on the typical multicast router messages described in [Table 35](#). When router port detection (auto-learning) is enabled, the learned router port is added as a destination to the snooped IGMP reports received from hosts and as a destination to any multicast frame destined to the hosts.

The default Router Port can also be configured by appropriate management action.

Each learned router port (or multiple ports) maintains an aging timer and can age out when the router message exchange is stopped on a port. The timer is automatically reset each time a new router message is received. When a port does not receive any router messages within the specified time period, the port is deleted from the learned router port map.

#### Multicast Steam Forwarding:

[Table 36](#) describes typical forwarding destination for the multicast frames. Multicast data frames are typically received from the router port and forwarded based on the match in the L3 multicast table and to the router ports. When there was no match in the L3 multicast table the frames are forwarded based on the L2 addresses or to the default IP/IGMP multicast port map.

**Table 36 Typical IGMP/MLD Control Packets Forwarding Destination**

IGMP Message Name	Port Map
Report	Multicast router port map
Leave	Multicast router port map
General Query or Group Specific Query	Forwarding port map (based on L3 or L2 multicast table) + Multicast router port map
Unknown General Query or Group Specific Query	Default multicast port map+ Multicast router port map

### SW Based IGMP/MLD Snooping

When SW-based IGMP snooping is enabled, IGMP/MLD control frames from Non-CPU ports are forwarded to the CPU port (IGMP/MLD control frame patterns are added as dedicated rules to the Traffic Flow Table as shown in [Table 37](#)) and the L3 multicast table is populated by software. IPv4 / IPv6 source and destination addresses can be added to the table and specify the direction of the multicast streams. A source address can be added using one of the following modes:

- **Include Mode.** In this mode, the forwarding of the multicast frame is based on the source and destination address pair. Specifically: the frame is forwarded to the specified port map only when both addresses (the source and destination) match in the L3 multicast table.
- **Exclude Mode.** In this mode, the forwarding of the multicast frame is based on destination and source address pair. Specifically: the frame is forwarded to the specified port map only when the source address does not match the address in the table and the destination address matches. When a frame contains specified source and destination address, this frame is discarded. When a frame contains any other source address and a matched destination, this frame is forwarded.

*Note: Adding an entry in exclude mode, creates up to two entries in the L3 multicast table. An exclude entry is implemented using two entries in the include mode: one contains an include entry with the wild-card source address and another an include entry with the respective host port cleared in the port map.*

- **Don't Care Mode.** In this mode, the source IP address field of the packet is ignored and the multicast frame forwarding is based on the destination IP address alone.

**Table 37 IGMP/MLD Messages**

Field	IGMPv1/v2/v3 Host Messages	IGMPv1/v2/v3 Router Messages	MLDv1/v2 Host Messages	MLDv1/v2 Router Messages
IP Type	IPv4	IPv4	IPv6	IPv6
IP Protocol	2	2	58	58
Type	18, 24, 25, 34	17, 48, 49	131 - 132	130, 151 - 153

**Table 38 Typical IGMP/MLD Messages Forwarding Destination**

Source Port	IGMP/MLD Message Name	Port Map
Non-CPU	All messages	CPU Port
CPU	Host Messages	Router port map
CPU	Router Messages	Forwarding port map (based on L3 or L2 multicast table or default multicast port map)

### 3.8.5 Quality of Service Functions

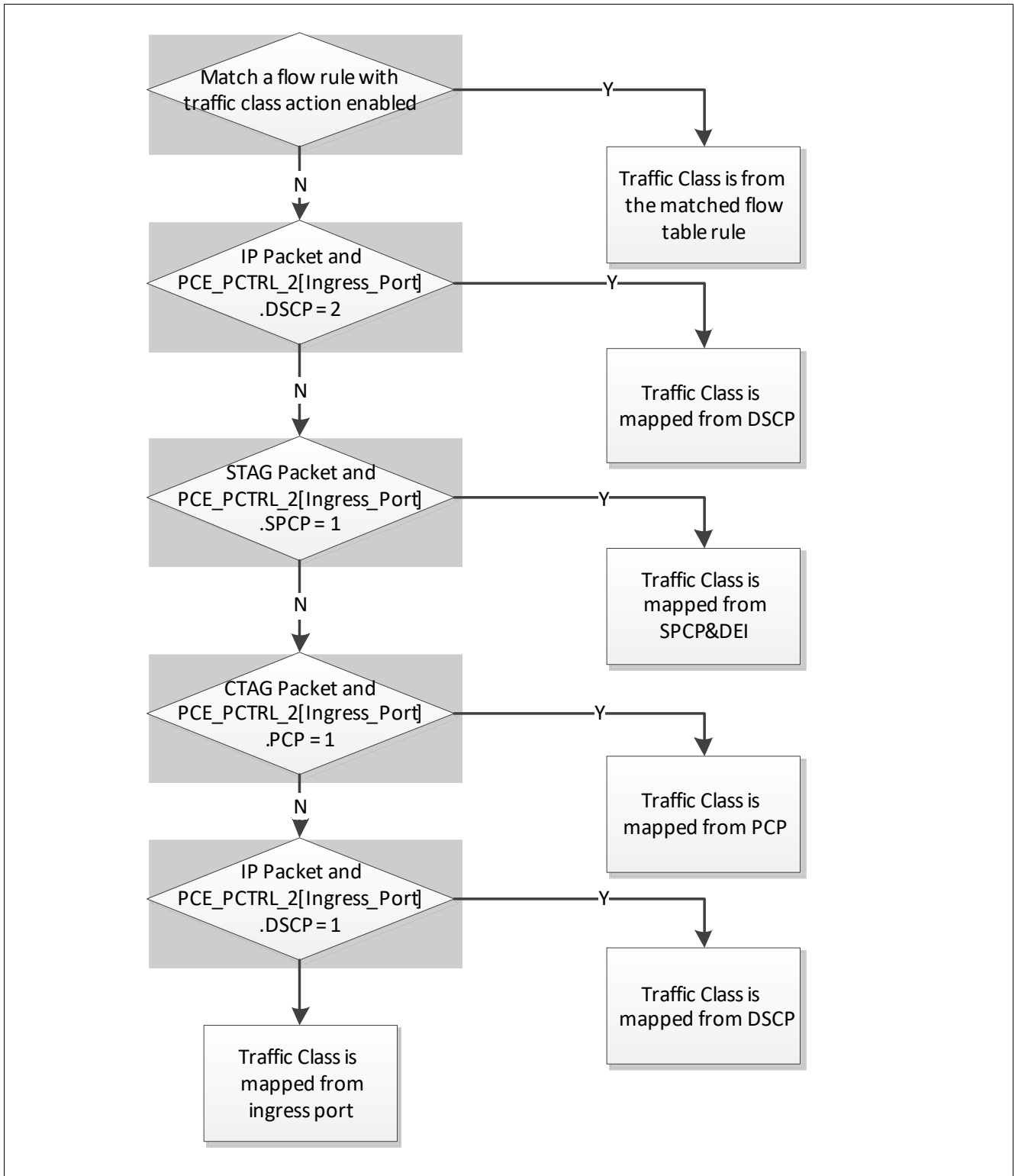
The Gigabit Ethernet Switch Macro provides extensive support for Quality of Service functionality. Particularly, traffic class assignment based on multiple flow parameters, ingress traffic policing, multiple egress queues per port with strict or WFQ scheduling, traffic shaping and weighted random early discard (WRED) functions are supported. The following sections describe in more details the QoS functions supported by the switch.

#### 3.8.5.1 Class of Service Assignment

The Gigabit Ethernet Switch Macro supports classification of the incoming traffic into traffic classes or classes of service (CoS). Each traffic class can be managed (e.g., remarked, policed, shaped) differently, ensuring preferential treatment for higher-priority traffic on the network. The Gigabit Ethernet Switch Macro is able to assign the traffic class of the received packet, based on the following parameters:

- **Ingress Port:** CoS is based on the ingress port number of the received packet. This mode is used by default when no other criteria can be matched.
- **STAG PCP&DEI and CTAG PCP (VLAN Priority Code Point):** CoS is based on the VLAN priority code point placed in the VLAN tag of the incoming packet. The Gigabit Ethernet Switch Macro provides a global STAG PCP&DEI to Traffic Class assignment table and a global CTAG PCP to traffic class assignment table. In the tables, any STAG VLAN PCP/DEI or CTAG VLAN PCP combination is mapped to an appropriate class of service. Traffic class mapping from STAG VLAN PCP/DEI can be enabled per ingress port (via SPCP bit in PCE\_PCTRL\_2). Traffic class mapping from CTAG PCP can be enabled per ingress port (via PCP bit in PCE\_PCTRL\_2).
  - When the packet contains no STAG it can be configured to choose other methods for the traffic class classification (e.g., DSCP, CTAG PCP, or ingress port).
  - When the packet contains no CTAG it can be configured to choose other methods for the traffic class classification (e.g., DSCP, STAG PCP&DEI, or ingress port).
- **DSCP (Differentiated Services Code Point):** CoS is based on the Differentiated code point placed in the IP header of the incoming packet. The Gigabit Ethernet Switch Macro provides a global DSCP to traffic class assignment table. In this table any IP DSCP 6 bits combination is mapped to an appropriate class of service. *Note: When the packet contains no IP header it can be configured to choose other methods for the traffic class classification (e.g. CTAG PCP, STAG PCP/DEI or default traffic class).*
  - When more than one classification methods are enabled, the highest traffic class mapped from different fields is selected.
- **Traffic Flow:** Any combination of the following traffic flow parameters entered to the Traffic Flow table can be used to assign the class of service. When a flow with an appropriate traffic class assignment action matches for a given ingress frame, this assignment has higher priority over the default CoS assignments. In this case, the traffic class is assigned based on the traffic flow rule.
  - Destination MAC address (with nibble-mask support)
  - Source MAC address (with nibble-mask support)
  - STAG VLAN ID (with nibble mask or range support)
  - CTAG VLAN ID (with nibble mask or range support)
  - Ethertype
  - IP protocol and parser flags
  - IP packet length or length range
  - STAG PCP & DEI
  - CTAG PCP
  - IP DSCP
  - Source IP address (with nibble-mask support)
  - Destination IP address (with nibble-mask support)
  - Application field 1, for example, Source TCP/UDP port (with range support)
  - Application field 2, for example, Destination TCP/UDP (with range support)

Up to 16 different traffic classes can be supported and mapped individually to appropriate QoS queue. See [Queue Mapping](#) for more details regarding queue mapping. [Figure 34](#) describes the traffic class assignment selection order vs configuration.



**Figure 34 Traffic Class Assignment**

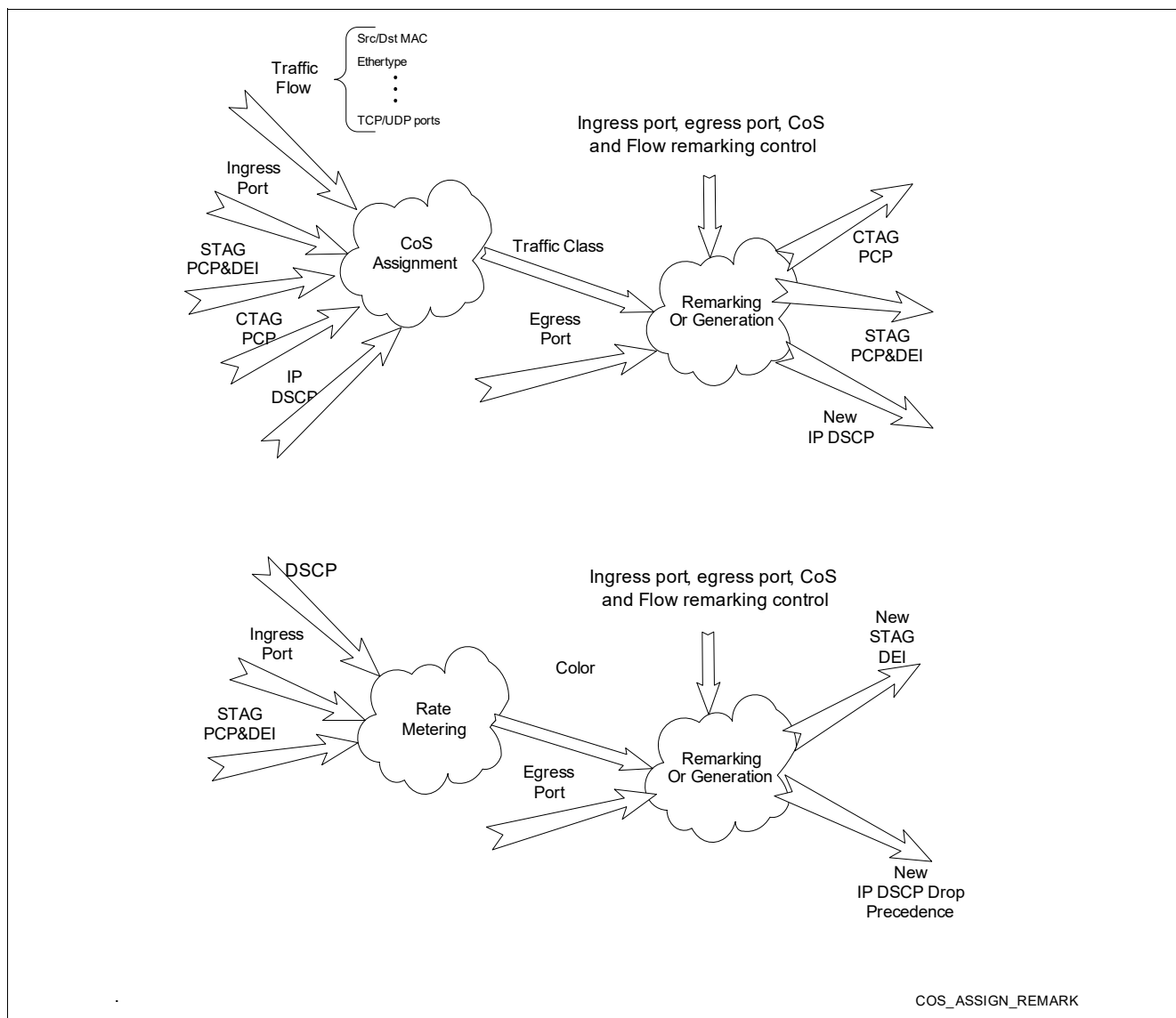


### 3.8.5.2 Remarking Function

The Gigabit Ethernet Switch Macro supports the remarking of the DSCP, (re)generation of STAG PCP&DEI, and (re)generation of CTAG PCP in the egress frame. The modification of the code points in the outgoing packets is based on both traffic class and egress port. The Gigabit Ethernet Switch Macro provides a dedicated mapping table to assign the new DSCP, CTAG PCP and STAG PCP&DEI according to according to traffic class as well as egress port. **Figure 35** shows how DSCP (including drop precedence), CTAG PCP, STAG PCP and STAG DEI can be remarked based on any of the class of service assignment parameter.

Remarking can be enabled per ingress port. Remarking can also be disabled per egress port and per code point. In addition, the Traffic Flow table allows to disable remarking explicitly for certain flows.

**Figure 36** shows the remarking DSCP flow diagram. **Figure 37** shows the remarking Drop Precedence flow diagram. **Figure 38** shows the STAP PCP remarking flow diagram. **Figure 39** shows the STAP DEI remarking flow diagram. **Figure 40** shows the CTAG PCP remarking flow diagram.



**Figure 35 PCP/DSCP /DEI Remarking**

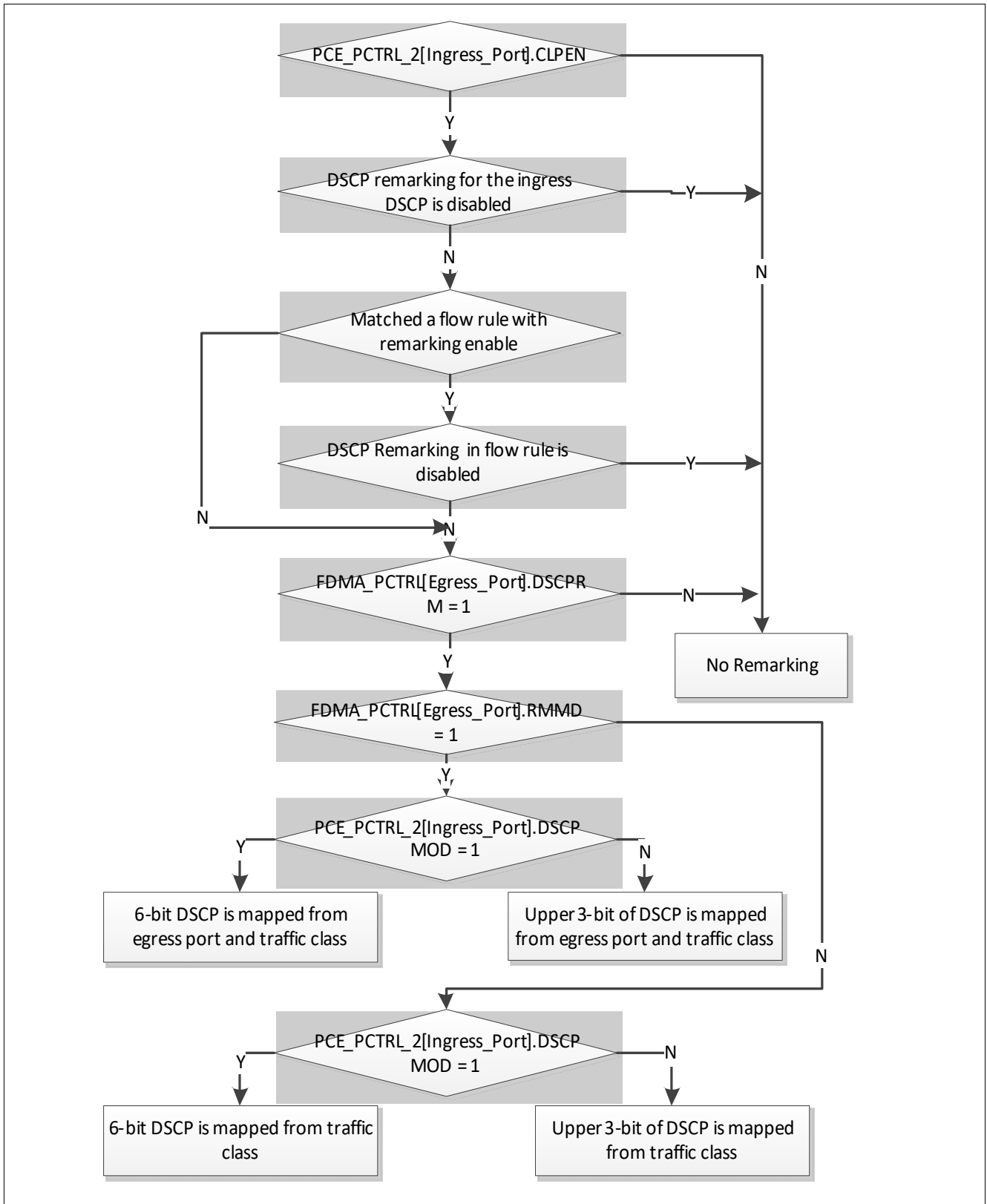


Figure 36 DSCP Remarking Flow Diagram

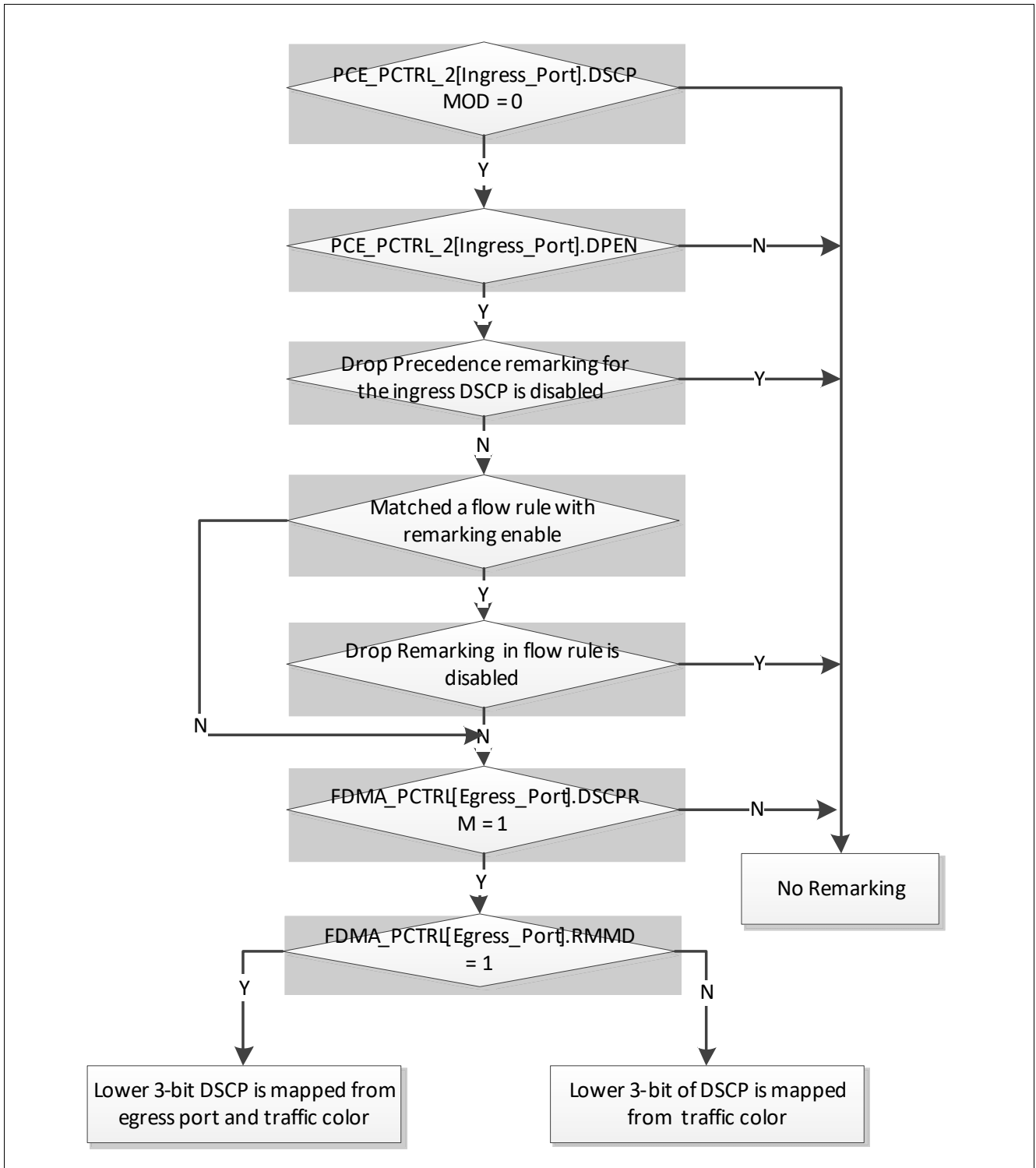


Figure 37 Drop Precedence Remarking Flow Diagram

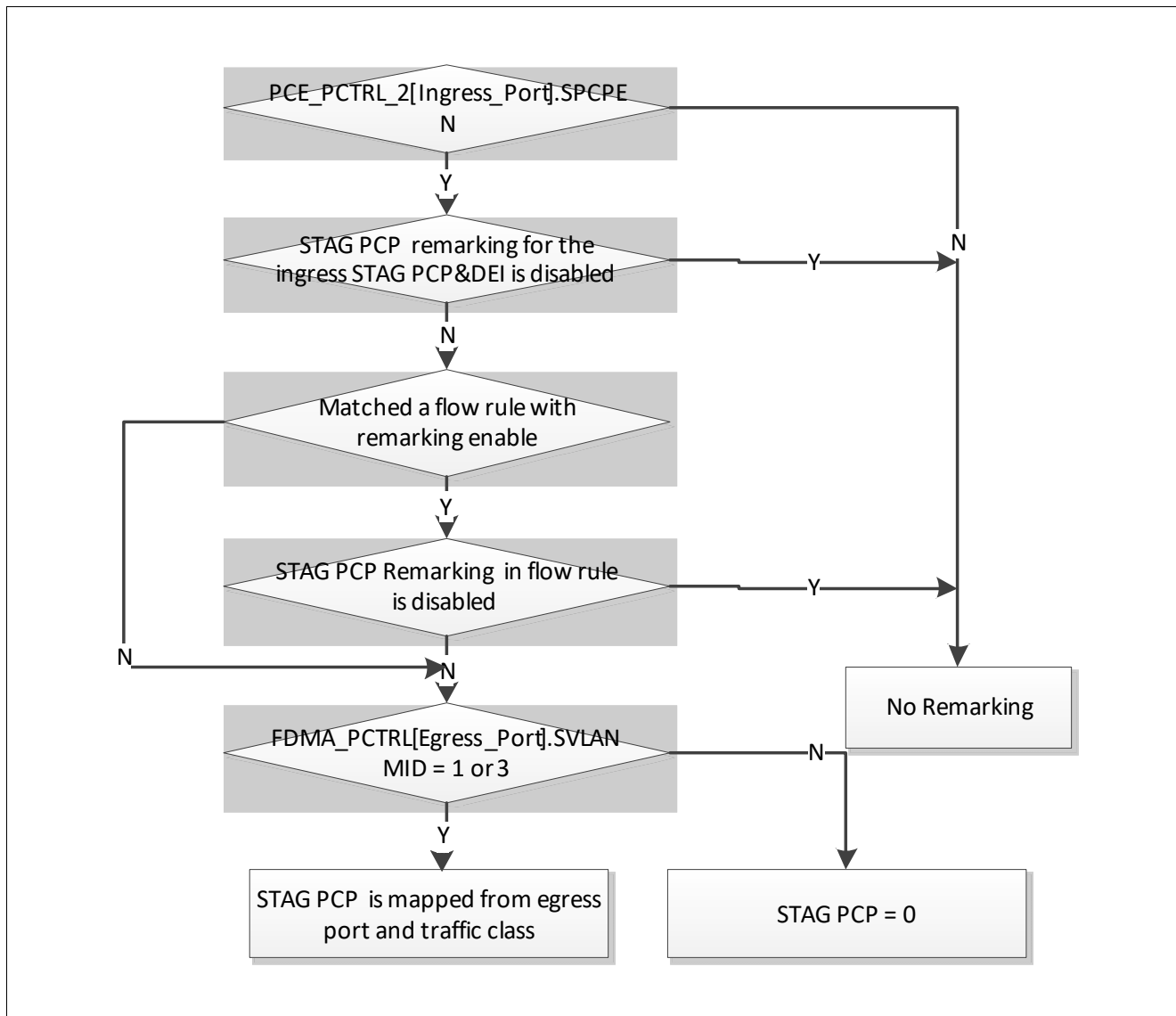


Figure 38 STAG PCP Remarking Flow Diagram

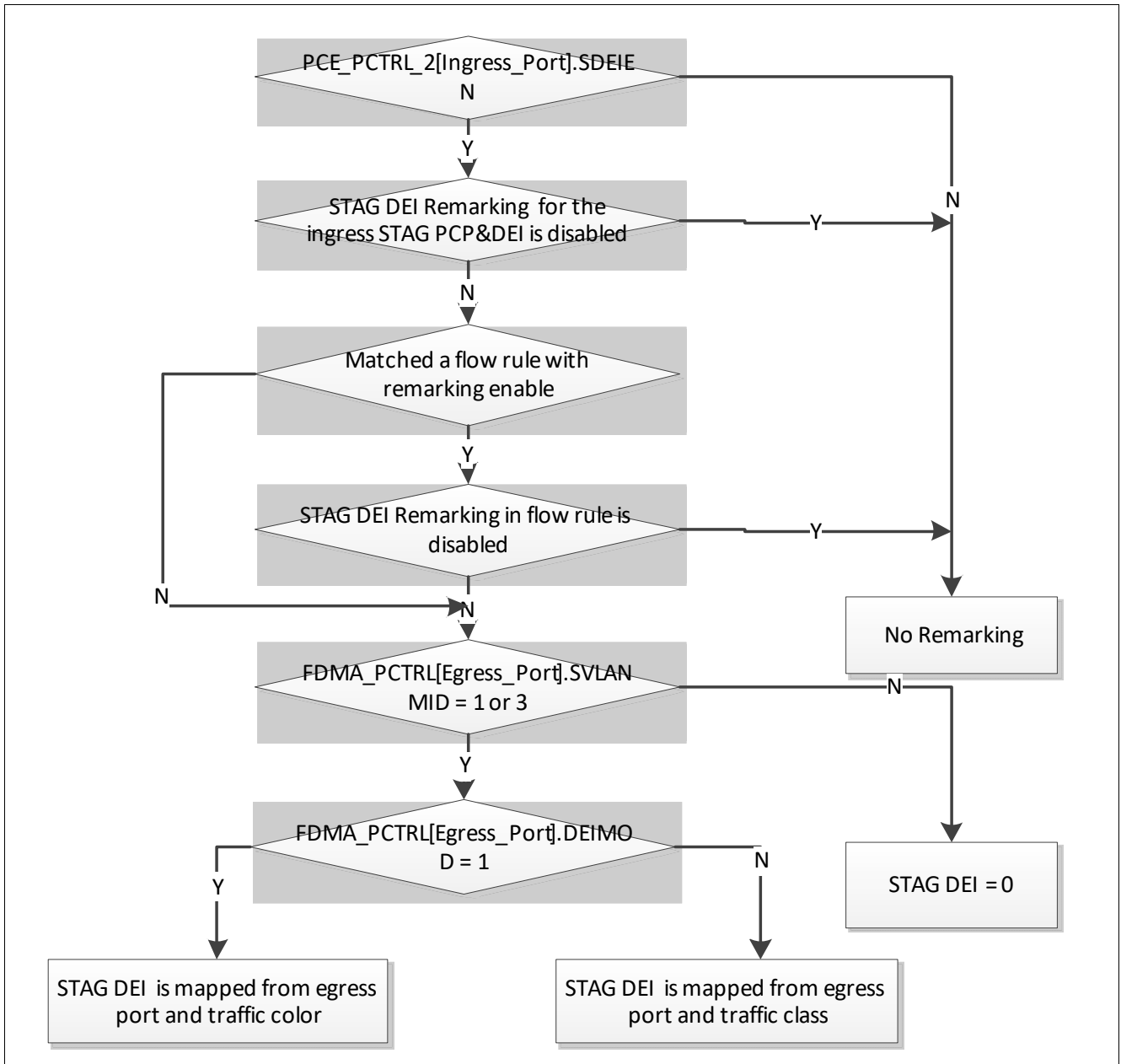


Figure 39 STAG DEI Remarking Flow Diagram

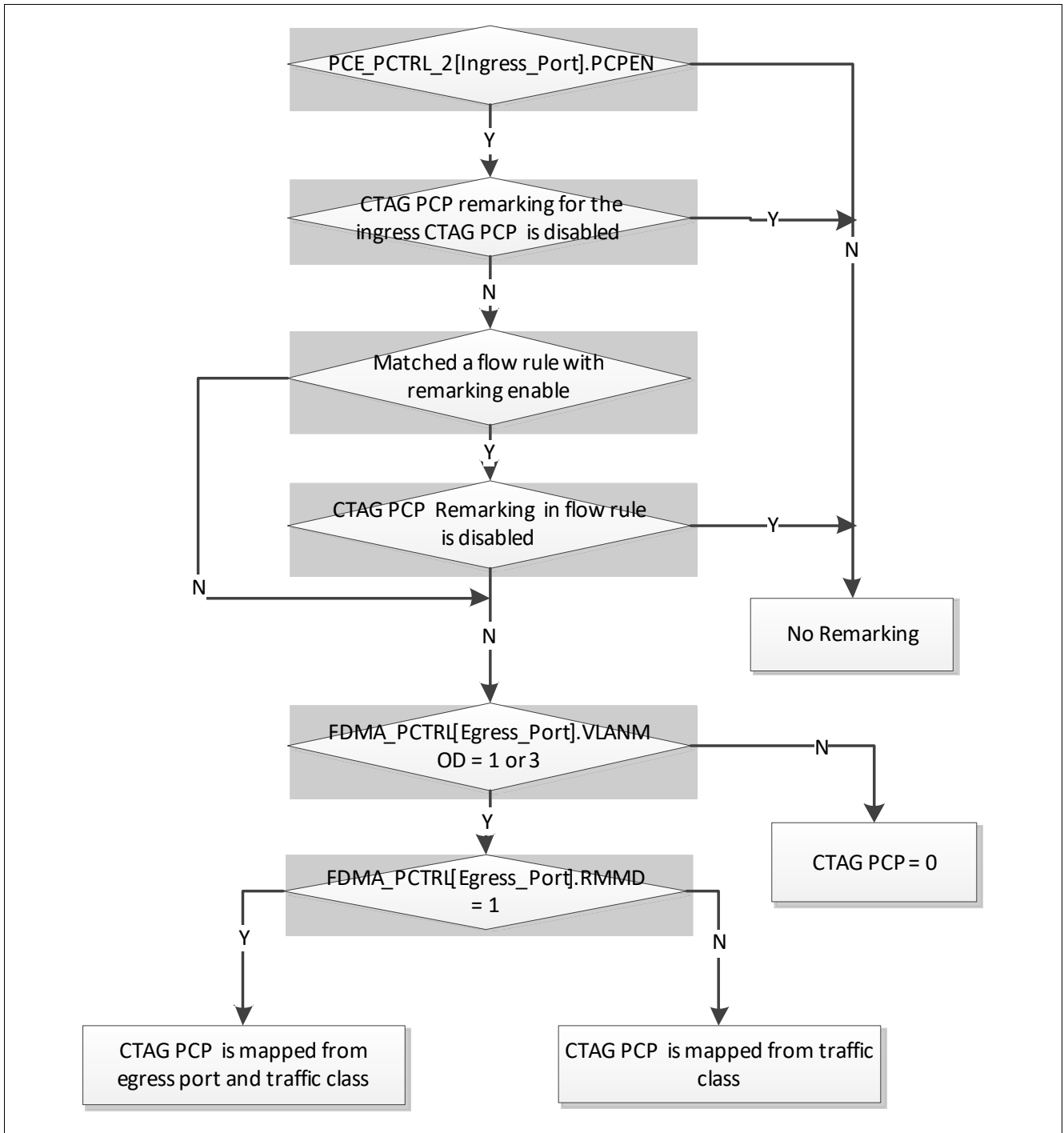


Figure 40 CTAG PCP Remarking Flow Diagram

### 3.8.5.3 Queue Mapping

The Gigabit Ethernet Switch Macro supports 32 egress QoS queues that can be flexibly assigned to egress ports and traffic classes. The following sections provide more details on the queue mapping functionality.

#### Queue to Port Mapping

Per default egress port 0 to 7 has 4 Quality of Service queues. For certain applications it might be desired to have a different number of QoS queues on specific ports. The Gigabit Ethernet Switch Macro supports flexible queue to port mapping. Each queue from the 32 queue pool can be assigned to any port. This way the default configuration can be changed so that one port, for example, contains 8 queues.

*Note: In certain configurations there might be unassigned (unused) queues. However, the overall number of 32 queues for all ports cannot be exceeded.*

In addition, an active port must have at least one queue and can have maximum 16 queues assigned to it.

#### Traffic Class to Queue Mapping

Incoming frames are being stored in the appropriate queues based on the traffic class assignment. The mapping of the traffic class to queue is specified in a dedicated queue mapping table per egress port. The mapping of the traffic classes to queues is related to the number of the queues available on certain port. For example, on one port 4 traffic classes could be mapped to 4 different queues, on another port all 4 traffic classes could be mapped to one single queue of this port.

### 3.8.5.4 Rate Metering

The Gigabit Ethernet Switch Macro supports 16 instances of a single rate Three Color Meter (srTCM). Each meter can measure the rate of a packet stream and mark the packets either green, yellow, or red. When there is no metering instance assigned to a traffic stream, this stream is considered to be green in the color-blind mode. In color-aware mode the stream is colored based on the drop-precedence encoded in the frame. See the following sections for details.

The color markings can be used later for policing in the active congestion management function, See [Congestion Management](#) for details. In addition the markings can be used to remark the drop precedence of the outgoing packet in the DSCP and STAG DEI.

Marking is based on a Committed Information Rate (CIR) and two associated burst sizes, a Committed Burst Size (CBS) and an Excess Burst Size (EBS). A packet is marked green when it does not exceed the CBS, yellow when it does exceed the CBS, but not the EBS, and red otherwise.

*Note: In color-aware mode as described in [Color-aware/ Color-blind modes](#), the packet may already contain a color. In this case, for a yellow colored frame only the EBS is checked and when exceeded, the packet becomes red. For packets received with a red color - the CBS/EBS plays no role, the packet remains red.*

Only single meter instance can be assigned to measure the rate of a traffic flow.

The Gigabit Ethernet Switch Macro supports the following meter assignments:

- **Port:** A Meter can be assigned to the ingress or egress port or port pair, particularly:
    - Ingress port. The meter assigned to a specific ingress port. All packets received on that port are metered with the same meter instance.
    - Egress port. The meter assigned to a specific egress port. Any packets destined to that port are metered with the same meter instance.

*Note: The multicast packets get metered when a meter is assigned to one of the destination ports.*

  - Ingress-Egress port pair. The meter assigned to a specific packet route, from specific ingress port to a specific egress port.
- **Traffic Flow:** Any combination of the following traffic flow parameters entered to the Traffic Flow table can be used to assign the metering instances.

- Destination MAC address (with nibble-mask support)
- Source MAC address (with nibble-mask support)
- STAG VLAN ID (with nibble mask or range support)
- CTAG VLAN ID (with nibble mask or range support)
- Ethertype
- IP protocol and parser flags
- IP packet length or length range
- STAG PCP & DEI
- CTAG PCP
- IP DSCP
- Source IP address (with nibble-mask support)
- Destination IP address (with nibble-mask support)
- Application field 1, for example, Source TCP/UDP port (with range support)
- Application field 2, for example, Destination TCP/UDP (with range support)
- **Storm Control:** (refer also to **Storm Control**) When storm control is enabled a meter can be assigned to
  - unknown unicast traffic
  - unknown multicast traffic
  - broadcast traffic

Figure 41 describes a metering algorithm of a single metering instance.

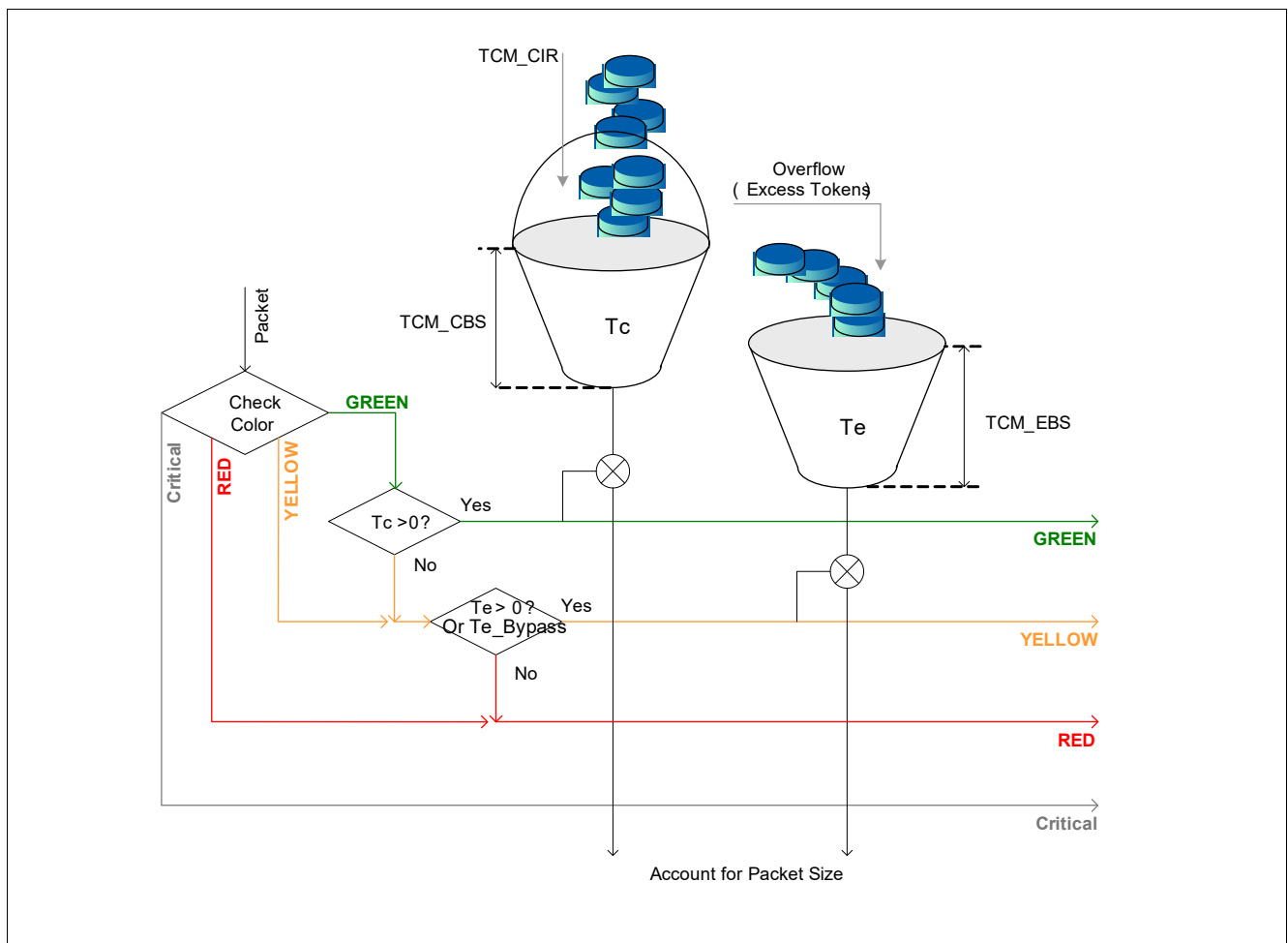


Figure 41 Metering Algorithm



### Critical Frames

Frame can be classified as critical based on specific DSCP encoding in the appropriate DSCP mapping table or based on a rule configured in the Traffic Flow table. Critical frames bypass the metering instance and do not trigger the active congestion management function.

### Color-aware/ Color-blind modes

The Gigabit Ethernet Switch Macro supports color-awareness modes to be configured per ingress port. In the color-aware mode, the meter assumes that some preceding entity has pre-colored the incoming packet stream so that each packet is either green, yellow, or red. The ingress color of the incoming frame is based on either DSCP value or STAG PCP&DEI value. It is retrieved from the appropriate DSCP mapping table or STAG PCP&DEI mapping table. Non-IP and Non-STAG packets are treated as pre-colored to green.

In color-blind mode, all packets are treated as green.

### DSCP Drop Precedence Remarking

It can be enabled by both ingress port and egress port configuration to reflect the metering results by replacing the lower 3 bits of the received DSCP field with the value of appropriate color decided by the metering instance for the received packet. The mapping of the color to the lower 3 bits of the DSCP can be configured per egress port. See [Remarking Function](#) for details.

### DEI (Re)generation

It is enabled by both ingress port and egress port configuration to reflect the metering result by setting the STAG DEI field of the packet with the value of appropriate color decided by the metering instance for the received packet. The mapping of the color to the DEI is configured per egress port. See [Remarking Function](#) for details.

### Metering based Flow Control

When a metering instance is assigned to an ingress port, the conformance rate of this port can be used for triggering flow control. In other words, once the tokens in Tc bucket is below  $8000_H$ , the start flow control can be generated on that port. When the tokens in Tc bucket is more than  $TCM\_EBS*64$ , the stop flow control can be generated on that port.

*Note: To achieve that functionality the assigned meter instance number must correspond to the respective ingress port. All ingress packets from the rate flow control enabled port must be green color.*

Conforming status for each port are readable via MTEBP bit in PCE\_TCM\_STAT register. Any change of conforming status can trigger the interrupt.

### 3.8.5.5 Rate Shaping

The Gigabit Ethernet Switch Macro supports 32 instances of rate shaper. Each rate shaper can be configured to Token Bucket mode or Credit Rate shaper mode. Each shaper mode can be configured via RSMOD bit in RS\_CTRL. Each shaper can measure the rate of an egress queue and prevent the queues which exceeded the configured rate from being scheduled for the next packet transmission. Shaping is based on a Committed Information Rate (CIR) and an associated Committed Burst Size (CBS). A queue can be selected for transmission only when it does not exceed the CBS for a given CIR.

Up to two shaping instances can be assigned to measure the egress rate of a specific queue or number of queues. Two shapers are typically being assigned to measure the peak and committed rate and typically have different CIR settings. Any number of queues can share the same shaping instance, in this case the committed rate and the burst size are shared among the assigned queues.

When there is no shaper assigned to a queue, the queue rate is not monitored. It is recommended to assign a shaper for queues with high scheduling weights or strict priority queues. See [Queue Scheduling](#) for details regarding queue scheduling.

### 3.8.5.6 Queue Scheduling

The scheduling function determines which queue is allowed to emit a packet. Queue scheduling is done after the rate shaping. The Gigabit Ethernet Switch Macro supports the following scheduling types for each one of the 32 egress QoS queues:

- **Weighted Fair Queueing (WFQ):** For a given port, packets in the WFQ queues are scheduled for transmission in accordance with their configured weight. The weight represents a ratio for transmission. The higher the weight of one queue compared to an other, the more often this queue is scheduled for transmission.
  - For example, a queue with weight 4000 is served twice more often than the queue with weight 2000.
- **Strict High Priority:** For a given port, packets in the strict high priority queue are scheduled for transmission before any packet in the WFQ queue. When there are multiple strict high priority queues configured for a port, the queues with a higher physical number are scheduled first.
- **Strict Low Priority:** For a given port, packets in the strict low priority queue are scheduled for transmission after any packet in the WFQ queue. When there are multiple strict low priority queues configured for a port, the queues with a higher physical number are scheduled first.

### 3.8.5.7 Congestion Management

The Gigabit Ethernet Switch Macro provides protection for the internal buffer from congestion and overflow.

When the shared buffer is fully occupied and does not have enough resources to receive any new frame, the incoming frames on all ports are discarded, until the congestion condition is relieved.

In addition, the Gigabit Ethernet Switch Macro provides two segment thresholds per color globally, per color per each egress port and per color per each egress queue. Based on the configured thresholds and the global, port or queue segment filling level a decision is made for every incoming packet, whether the packet with a given color can be enqueued or not. This protection mechanism is called Active Congestion Management (ACM).

The color of the packets is decided based on the conformance rate in the metering instance. See [Rate Metering](#) for details. The thresholds are checked with accordance to the incoming packet color: e.g., red thresholds for red colored packets, yellow for yellow and green for green.

The Gigabit Ethernet Switch Macro is able to reserve buffer per egress queue. This allows the protection of queues against congestion caused by other queues and ports. It provides a minimum buffer guarantee for each queue. A green frame can bypass ACM and is always accepted by the queue when the reserved buffer threshold of the queue is not exceeded.

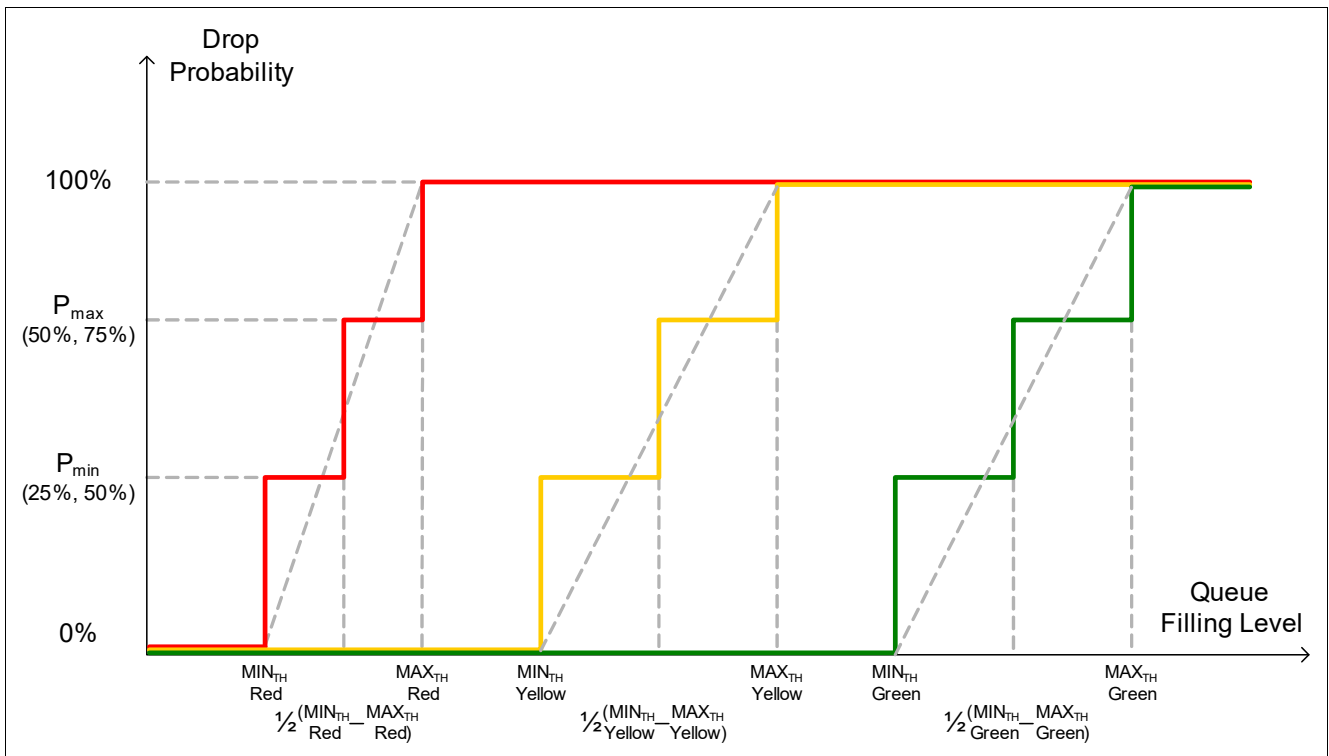
The critical frames bypass the ACM and are enqueued regardless of the filling level. The critical frames are not enqueued only in case of buffer full event.

The ACM function discards the frames early (before the buffer full event) with certain drop probability. ACM thresholds provide the following functionality:

- **MIN Threshold.** When the filling level of the queue is below this threshold (excluding the threshold value), the packet with the appropriate color is not discarded and is enqueued.
- **MAX Threshold.** When the filling level of the queue is above this threshold (excluding the threshold value), the packet with the appropriate color is discarded.
- **$\frac{1}{2}(\text{MAX}-\text{MIN})$  Threshold.** when filling level of the queue is between the MIN and MAX thresholds, the packet is discarded with certain probability. The drop probability profile can be selected globally between 25%, 50% and 75%. When the filling level is below half the distance between MIN and MAX thresholds, the packet is discarded with lower probability ( $P_{\min}$ ), when the filling level is above half the distance between MIN and MAX thresholds, the packet is discarded with higher probability ( $P_{\max}$ ). Specifically, the following drop probability profiles can be selected globally:
  - P0:  $P_{\min} = 25\%$ ,  $P_{\max} = 75\%$  (default).
  - P1:  $P_{\min} = 25\%$ ,  $P_{\max} = 50\%$ .
  - P2:  $P_{\min} = 50\%$ ,  $P_{\max} = 50\%$ .
  - P3:  $P_{\min} = 50\%$ ,  $P_{\max} = 75\%$ .

*Note: When MIN = MAX, the drop probability changes from 0% to 100% at once.*

Figure 42 shows drop probability as a function of queue filling level and configured thresholds.



**Figure 42 Drop Precedence Thresholds**

*Note: The thresholds for red frames shown in the figure are below the threshold for yellow frames and the thresholds for yellow are below the thresholds for green frames. This is how it would be usually configured in a real application scenarios. The thresholds can be configured  $MIN_{TH}=MAX_{TH}$ , in this case the frames are dropped as soon as they pass the drop threshold.*

### 3.8.5.8 Ingress Port Congestion Based Flow Control

Flow control is activated when the ingress port local buffer congestion level exceeds a programmable local threshold (via SDMA\_PFCTHR9 of each port) and deactivated when the local buffer congestion level drops below a programmable local threshold (via SDMA\_PFCTHR8 of each port). The flow control applies to each port individually.

All ingress port congestion status are readable via SDMA\_CGNBP register. Any change of congestion status can trigger the interrupt.

### 3.8.5.9 Overview of the Resource Protection Mechanism

The Gigabit Ethernet Switch Macro provides several mechanism to protects its limited resources. The limited resources are:

- number of segments (total 512 segments)
- number of packet pointers (total 1024 pointers)

The limitation can be on different levels:

- Global Packet Pointers Usage
- Global Shared Segment Buffer Usage
- Ingress Port Shared Segment Buffer Usage
- Egress Port Shared Segment Buffer Usage
- Egress Queue Shared Segment Buffer Usage

The limiting mechanisms are:

- Flow Control
- Buffer Reservation
- Tail Drop
- WRED

#### Resource Protection

One method to protect the GSWIP from running out of resources is by issuing Flow Control. Several thresholds are provided.

There are three level flow control thresholds. When any one of the start flow control conditions below is met, start flow control is triggered on a port. When all the stop flow control conditions below are met, stop flow control is triggered on a port.

- Flow control based on global buffer filling level
- Flow control based on ingress port buffer filling level
- Flow control based on ingress port metering result.

Flow Control can be used together with the WRED thresholds. In this case, the Flow Control thresholds and the WRED thresholds must be coordinated. With WRED it is possible to configure a global color threshold, per port per color threshold or per queue per color threshold for red/yellow/green packets. When the max threshold is exceeded the frame is dropped. Filling levels between the min threshold and max threshold are dropped with a global configurable drop probability. Filling levels below the min threshold do not result in a drop. WRED can be used to avoid a situation where one queue uses up all the resources and affect the traffic on other queues. Typically a system is configured with a certain oversubscription which gives each queue enough resources to operate in a bursty environment but the situation that ports affect each other cannot be avoided.

When frame drops must be avoided the only possibility is to use Flow Control. Flow control threshold must be lower than the WRED and tail drop threshold.

Critical frames are accepted by WRED even when the thresholds are exceeded.

Green frames are accepted by WRED when the egress queue buffer usage is below the reserve buffer threshold.

**Table 39 Resource Protection Options**

Level	Mechanism	Resource	Number of Thresholds	Granularity	Register (default values)
Global Packet Pointer Usage	Flow Control	Packet pointers	1 (THR7)	Global	SDMA_FCTHR7(MAX)
	Tail Drop	Packet pointers	3 (one per color)	Global per color	BM_DROP_GTH_0 (MAX) red BM_DROP_GTH_1 (MAX) yellow BM_DROP_GTH_2 (MAX) green
Global Shared Segment Buffer Usage	Flow Control	Segments	4 (THR1-4)	Global	SDMA_FCTHR1 (0x82) SDMA_FCTHR2 (0xAC) SDMA_FCTHR3 (0xAC) SDMA_FCTHR4 (0xAC)
	Tail Drop	Segments	2 (THR5-6)	Global	SDMA_FCTHR5 (MAX) SDMA_FCTHR6 (MAX)
	WRED <sup>1) 2)</sup>	Segments	6 (two per color)	Global per color	BM_WRED_RTH_0 (MAX) BM_WRED_RTH_1 (MAX) BM_WRED_YTH_0 (MAX) BM_WRED_YTH_1 (MAX) BM_WRED_GTH_0 (MAX) BM_WRED_GTH_1 (MAX)
Ingress Port Shared Segment Buffer Usage	Flow Control	Segments	Two per port	Per ingress port	SDMA_PFCTH8 (MAX) SDMA_PFCTH9 (MAX)
Egress Port Shared Segment Buffer Usage	WRED	Segments	Two per port per color	Per egress port and per color	BM_PWRED_RTH_0 (MAX) BM_PWRED_RTH_1 (MAX) BM_PWRED_YTH_0 (MAX) BM_PWRED_YTH_1 (MAX) BM_PWRED_GTH_0 (MAX) BM_PWRED_GTH_1 (MAX)
Queue	Buffer Reservation	Segments	One per queue	Per queue	PQM Context Table • reservation threshold (0)
	WRED	Segments	Two per queue per color	Per queue and per color	PQM Context Table • red max threshold (0x50) • red min threshold (0x50) • yellow max threshold (0x50) • yellow min threshold (0x50) • green max threshold (0x50) • green min threshold (0x50)

1) The drop probability can only be configured globally BM\_QUEUE\_GCTRL.DPROB (00 => Pmin = 25%, Pmax = 75%).

2) Tail Drop is realized by setting the min/max thresholds equal.

### ACM and Flow Control

ACM and Flow control can be configured individually. Typically the two features are used exclusively.

- ACM is used to avoid that a single queue can use up all the resources. When a limit is exceeded additional frames to this queue are dropped. Frame switching between other ports is still possible.
- Flow Control is used to avoid frame drops. Before the global resource is used up the peers are informed to stop frame transmission.
- With buffer reservation and suitable ACM WRED threshold, non-congested queues are protected and do not stopped by congested queues.

### 3.8.5.10 Storm Control

The Gigabit Ethernet Switch Macro supports a broadcast storm control function. Broadcast storm is defined as an excessive amount of broadcast, multicast, or unknown unicast Ethernet frames received on a switch port. Due to the massive replication of data frames, broadcast storm can significantly degrade the system performance. Broadcast storm can also be a form of Denial-of-Service (DoS) attack.

The storm control function can effectively police specific traffic type and protect the resources from being flooded by the broadcast traffic.

The selected metering instance is configured to the required policed rate of the broadcast storm. The following traffic types can be selected for the storm control function:

- Broadcast frames
- Unknown multicast frames
- Unknown unicast frames

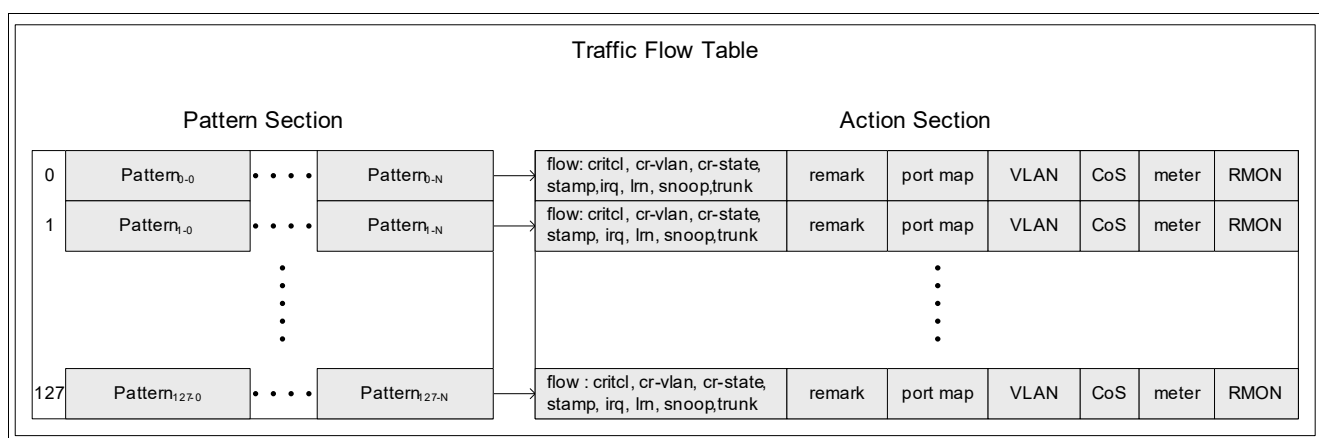
When the rate of the selected frame types exceeds the rate configured in the meter instance, the frames marked as yellow or red. When the active congestion management thresholds configured appropriately, the storm frames are discarded.

### 3.8.6 Flow Classification Function

The Gigabit Ethernet Switch Macro includes a powerful packet classification engine that performs multi-field classification based on up to 64 programmable rules.

#### Traffic Flow Table

Traffic Flow table contains up to 64 programmable rules. Rules can be configured per ingress port but can also be shared between ports. Each rule consists of a pattern and action sections, as depicted in [Figure 43](#). A Pattern specifies certain combination of packet header fields. The Parser extracts the packet header fields from the received packet and provides them to the Traffic Flow table. When a pattern matches, the enabled actions apply. The pattern search continues until all actions are satisfied. This allows the definition of multiple pattern for different actions. Each action can be specifically enabled or disabled for a given pattern.



**Figure 43 Traffic Flow Table**

Rules location in the table defines their priority, rule entries with lower index number have higher priority. The Traffic Flow table is searched in a following way:

- **Pattern Match:** Pattern row is considered matched when all the fields in the pattern have been matched or configured to be ignored (not enabled). When a pattern row matches, the appropriate action row is checked for that pattern.

*Note: Multiple pattern rows in the table might match the search, however, only the first pattern in the table matched for certain action is applied.*

- **Action Match:** Each action in the action row can be enabled or disabled for certain pattern row match. When the action is enabled and the pattern row matched, this action is applied for the classified packet. The search in the table terminates only when all the actions in the action section have been found. When not, the search continues for the next pattern match and the corresponding action match. An additional option is to enable the action and to select a default behavior for that action, i.e., the search for another enabled action is terminated.

*Note: For a given packet classification only one pattern may match one specific action, however, multiple patterns may match multiple different actions, i.e., the action section is searched independently for each action type.*

See the following examples for clarification:

- First example: Consider two rules added to the table, one has a source MAC address in the pattern and a CoS assignment in the action section. Another rule (at different index) has an Ethertype in the pattern section and the action is a VLAN group association. When an incoming frame matches both patterns, both actions are applied for this frame.
- Second example: Consider a similar scenario as in the first example, whereas the only the action is VLAN group association for both pattern rows. In this case, only the rule with the lowest index is applied, i.e., similar action is executed with priority of the rule depending on the location in the table.

## Pattern Section

The pattern section contains the packet header fields and other parameters that can identify the incoming packet flow. Specifically, the following pattern fields are supported:

- Ingress port number. The parameter compared with the ingress port number of the incoming packet.
- Source MAC Address or part of the MAC Address specified by a programmable nibble mask<sup>1)</sup>.
- Destination MAC Address or part of the MAC Address specified by a programmable nibble mask<sup>1)</sup>.
- STAG VID or part of the STAG VID specified by a programmable nibble mask or a range.
- CTAG VID or part of the CTAG VID specified by a programmable nibble mask or a range.
- Ethernet type.
- IP Protocol and Parser Flags.
- PPPoE Session ID.
- IP Packet Length or length range.
- Source IP Address or part of the IP Address specified by a programmable nibble mask<sup>1)</sup>.
- Destination IP Address or part of the IP Address specified by a programmable nibble mask<sup>1)</sup>.
- CTAG PCP Code. This parameter is directly compared with the PCP code of the VLAN tag of the received frame. When the received frame contains no VLAN/Priority Tag, the parameter does not match.
- STAG PCP&DEI. This parameter is directly compared with the PCP&DEI of the VLAN tag of the received frame. When the received frame contains no VLAN/Priority Tag, the parameter does not match.
- DSCP Code. This parameter compared directly with the DSCP code in the IP header. When the received packet contains no IP header, the parameter does not match.
- The first 4 bytes of the packet content following the IP header or first 4 bytes of packet content following the Ethertype for non IP and non PPPoE packets or first 4 bytes of packet content following the PPPoE header for non IP and PPPoE packets. For TCP/UDP the 4 bytes following the IP header are the TCP/UDP source and destination ports. Any part of this content can be masked-out by a programmable nibble mask<sup>1)</sup>.

Each field in the pattern section is enabled or disabled for the search. When the parameter is disabled, the corresponding pattern is not compared. The pattern is considered to be matched by default for any value of the corresponding packet field.

*Note: When an IP packet is carried in a PPPoE frame, the Ethertype is 0x8864 but there is no explicit Parser Flag for IP\_indication and no PPP\_protocol field that shows that the PPPoE carried IP. A rule mat want to forward all IPoPPPoE to a specific port. When there would be a PPP\_protocol field this rule could be defined by the a match on Ethertype=0x8864 AND PPP\_protocol=0x0021. Since there is no PPP\_protocol field such a rule can be defined by configuring an "always match" entry in the IP address table (an entry with all masks active). When there is an IP in the PPPoE frame, the "always match" entry matches, when there is no IP in the PPPoE frame, the IP address table is not searched and the result is a "no\_match" indication. With this match indications and the Ethertype=0x8864, the IP\_indication flag and PPP\_protocol field are not required.*

## Actions Section

The action section contains the actions applicable to an incoming packet. Specifically, the following are supported:

- **Port Bitmap (used as Port Map/Port Member/Flow\_ID):** The received packet (packet flow) can be redirected to a single or multiple egress ports based on a pattern match. Redirection includes the packet discard option when the packet is redirected to the NULL port (all zero port map). Based on the port bitmap multiplexing control in the action, this field is also used as STAG port member which identifies the broadcast domain. The broadcast domain of the received packet is restricted according to the this field on top of the other filtering function. When the Flow\_ID action is configured, the field holds the Flow\_ID instead of the port map or port member. The Flow\_ID can be written into the egress special tag.
- **Traffic Class Assignment (CoS):** Traffic class of the received packet can be assigned or changed from a default assignment based on the pattern match.

1) Note: mask resolution is nibble, i.e., every 4 bits can be masked out.



- **VLAN Assignment:** VLAN classification of the received packet can be assigned or changed from a default assignment based on the pattern match. Both service VLAN tag and customer VLAN tag are supported.
- **Metering Assignment:** A Metering instance can be assigned or changed from a default assignment based on the pattern match.
- **RMON Assignment:** Dedicated packet counters can be assigned to a specific flow. The counters are incremented each time the pattern is matched.
- **Flow Actions:** The following additional flow actions can be assigned only in the flow table (by default these actions are disabled):
  - Cross VLAN packet indication. Certain packet can be identified as cross VLAN. VLAN filtering rules are ignored for these packets, e.g, cross VLAN packets may cross VLAN boundaries.
  - Cross state packet indication. Certain packet can be configured to ignore the port state of the ingress or egress port. These packets are forwarded even when all the “regular” frames are discarded.
  - Critical packet indication. Packets identified as critical bypass active congestion management function (ACM) and are enqueued to a certain queue regardless of the filling level of that queue.
  - Time stamping. Ingress/egress time stamp can be recorded for packets identified by matched pattern. The time stamps are sampled during packet reception/transmission and can be retrieved by the management action.
  - Interrupt request assertion. An external interrupt can be asserted based on a pattern match.
  - Learning action. Learning function can be forced to be enabled or disabled.
  - Snooping action. A specific IGMP snooping action can be selected for the IGMP messages. Note, relevant only for the IGMP hardware based snooping.
  - Flow\_ID action. A Flow indication can be configured and written into the egress Special Tag. See [Special Tag Functionality](#) for more details.
  - Forwarding Multiplexing Control. These control signals select the appropriate Port-Map in Forwarding Classification.
  - Port Bitmap Multiplexing Control. This control signal select the port bitmap mode: used as STAG Port-Map or Port-Member in Forwarding Classification.
  - Trunking Link Selection. The destination trunking link can be assigned or changed from a default assignment based on the pattern match.

Each single action in the action section can be enabled or disabled for the search. When an action is disabled, the table search continues until another pattern matches for this action. When no other pattern matches, the corresponding action is not applied.

### 3.8.7 Operation, Administration, and Management Functions

This section summarizes the functions provided to control and monitor the data traffic through the switch.

#### 3.8.7.1 Monitoring Counters

Multiple counters are provided per port to monitor incoming and outgoing data traffic as well as errors or special events. Each port provides the same set of counters. There are two main groups of counters, which are a set of standard Ethernet counters (also known as RMON counters) and a group of counters assigned to programmable traffic flows. See the following sections for details.

##### Standard (RMON) Counters

The Gigabit Ethernet Switch Macro supports 34 standard frame counters of 32-bit each and 3 byte counters of 64-bit each. The counters are not cleared on read, instead complete set of port counters can be cleared by the appropriate management action. It can be configured when the 8 byte special tag is excluded from the byte counters. [Table 40](#) lists the standard RMON counters.

**Table 40 Standard RMON Counters**

Short Name	Long Name	Description
<b>Receive Counters</b>		
nRxUnicastPkts	Received Unicast Ethernet frames	Counts the total number of valid <sup>1)</sup> Unicast Ethernet frames received on the ingress port.
nRxTotalPkts	Received Total Ethernet frames or Broadcast Ethernet frames	Counts the total number of valid <sup>1)</sup> Ethernet frames or total number of valid Broadcast Ethernet frames received on the ingress port. The mode is configurable via BCAST_CNT bit in BM_RMON_CTRL
nRxMulticastPkts	Received Multicast Ethernet frames	Counts the total number of valid <sup>1)</sup> Multicast Ethernet frames (not including Broadcast frames) received on the ingress port.
nRxFCS_ErrorPkts	Received CRC errors	Counts the total number of Ethernet frames that have been received with an FCS error.
nRxUnderSizeGoodPkts	Received good undersized Ethernet frames	Counts the total number of Ethernet frames received with Undersize Error but with correct FCS.
nRxUnderSizeErrorPkts	Received bad undersized Ethernet frames	Counts the total number of Ethernet frames received with Undersize Error and bad FCS.
nRxOversizeGoodPkts	Received good oversized Ethernet frames	Counts the total number of Ethernet frames received with Oversize Error but with correct FCS.
nRxOversizeErrorPkts	Received bad oversized Ethernet frames	Counts the total number of Ethernet frames received with Oversize Error and bad FCS.

**Table 40 Standard RMON Counters (cont'd)**

Short Name	Long Name	Description
nRxGoodPausePkts	Received good Pause Ethernet frames	Counts the total number of received valid <sup>1)</sup> Ethernet Pause frames.
nRxAlignErrorPkts	Received alignment errors	Counts the total number of packets received with a <ul style="list-style-type: none"> <li>• alignment error or</li> <li>• length errors or</li> <li>• phy_rx errors or</li> <li>• all errors of above</li> </ul> The error which must be counted can be configured globally. Error ignore flags are not considered (counting is done) only in the "all" case. An alignment error is specified as a non-integral number of octets.
nRx64BytePkts	Received frame size 64 byte	Counts the total number of valid <sup>1)</sup> Ethernet frames received with the minimum valid length of 64 byte.
nRx127BytePkts	Received frame size 65-127 byte	Counts the total number of valid <sup>1)</sup> Ethernet frames received with a length in the range of 65 to 127 byte.
nRx255BytePkts	Received frame size 128-255 byte	Counts the total number of valid <sup>1)</sup> Ethernet frames received with a length in the range of 128 to 255 byte.
nRx511BytePkts	Received frame size 256-511 byte	Counts the total number of valid <sup>1)</sup> Ethernet frames received with a length in the range of 256 to 511 byte.
nRx1023BytePkts	Received frame size 512-1023 byte	Counts the total number of valid <sup>1)</sup> Ethernet frames received with a length in the range of 512 to 1023 byte.
nRxMaxBytePkts	Received frame size larger than 1023 byte	Counts the total number of valid <sup>1)</sup> Ethernet frames received with a length of 1024 byte or more. <i>Note: When Jumbo frames are enabled on the related port, these frames are also included in this counter.</i>
nRxDroppedPkts	Receive dropped Ethernet frames	Counts the total number of frames discarded due to the lack of shared resources, i.e., in case of complete buffer congestion.
nRxFilteredPkts	Received filtered Ethernet frames	Counts the total number of Ethernet frames discarded due to a violation detected by the Classification Engine, i.e., frame filtering based on matched multi-field classification rule.
nRxGoodBytes	Received good bytes	Total number of bytes received in valid <sup>1)</sup> Ethernet frames. This is a 64-bit counter

**Table 40 Standard RMON Counters (cont'd)**

Short Name	Long Name	Description
nRxBadBytes	Received bad bytes	Total number of bytes received in invalid Ethernet frames. This is a 64-bit counter
<b>Transmit Counters</b>		
nTxACMDiscardPkts	Transmit Queue ACM Discard frames	Counts the total number of packets discarded by the ACM mechanism (Active Congestion Management) due to exceeded thresholds on the egress QoS queues.
nTxUnicastPkts	Transmitted Unicast Ethernet frames	Counts the total number of Unicast Ethernet frames transmitted on the egress port.
nTxTotalPkts	Transmitted Total Ethernet frames or Broadcast Ethernet frames	Counts the total number of total frames or Broadcast frames transmitted on the egress port. The mode is configurable via BCAST_CNT bit in BM_RMON_CTRL.
nTxMulticastPkts	Transmitted Multicast Ethernet frames	Counts the total number of Multicast Ethernet frames (not including Broadcast frames) transmitted on the egress port.
nTx64BytePkts	Transmitted frame size 64 byte	Counts the total number of Ethernet frames transmitted with the minimum valid length of 64 byte.
nTx127BytePkts	Transmitted frame size 65-127 byte	Counts the total number of Ethernet frames transmitted with a length in the range of 65 to 127 byte.
nTx255BytePkts	Transmitted frame size 128-255 byte	Counts the total number of Ethernet frames transmitted with a length in the range of 128 to 255 byte.
nTx511BytePkts	Transmitted frame size 256-511 byte	Counts the total number of Ethernet frames transmitted with a length in the range of 256 to 511 byte.
nTx1023BytePkts	Transmitted frame size 512-1023 byte	Counts the total number of Ethernet frames transmitted with a length in the range of 512 to 1023 byte.
nTxMaxBytePkts	Transmitted frame size larger than 1023 byte	Counts the total number of Ethernet frames transmitted with a length of 1024 byte or more. <i>Note: When Jumbo frames are enabled on the related port, these frames are also included in this counter.</i>
nTxCollCount	Transmitted total collision number	Counts the total number of Ethernet frames transmitted on the egress port after any "Collision" event.
nTxSingleCollCount	Transmitted single collisions	Counts the total number of Ethernet frames transmitted on the egress port after a "Single Collision" event.

**Table 40 Standard RMON Counters (cont'd)**

Short Name	Long Name	Description
nTxMultCollCount	Transmitted multiple collisions	Counts the total number of Ethernet frames transmitted on the egress port after a "Multiple Collision" event.
nTxLateCollCount	Transmitted late collisions	Counts the total number of Ethernet frames transmitted on the egress port after a "Late Collision" event.
nTxExcessCollCount	Transmitted excessive collisions	Counts the total number of Ethernet frames transmitted on the egress port after an "Excessive Collision" event.
nTxPauseCount	Transmitted Pause frames	Counts the total number of "Pause" frames transmitted on the egress port.
nTxDroppedPkts	Transmit dropped frames	Counts the total number of packets discarded due to port disable, excess collision or late collision.
nTxGoodBytes	Transmitted good bytes	Total number of bytes transmitted in Ethernet frames. This is a 64-bit counter.

1) Every packet received without any reception error is considered to be valid. This includes Unicast, Multicast and Broadcast packets.

### Traffic Flow Counters

There is a set of 24 packet-based counters available per port, where each can be assigned to a dedicated traffic flow, as specified in the Traffic Flow table. Each traffic flow is defined by an entry in the traffic flow table, counters are connected with a traffic flow in a flexible way. The counter number is entered as one of the table actions. See [Flow Classification Function](#) for details.

### 3.8.7.2 Port Mirroring

The Gigabit Ethernet Switch Macro supports port monitoring to assist in system debugging or enable a software-controlled functionality. The data received on a selected port may be mirrored to another selected port (the monitoring port).

#### Mirroring Function

Mirroring means the received frame is processed and forwarded as normal, but a copy of that frame is in addition sent to the monitoring port. The options given by the port mirroring function are:

- Copy data received on a selected port to the monitoring port.
- Copy data received on a selected group of ports to the monitoring port.
- Copy data transmitted on a selected port to the monitoring port.
- Copy data transmitted on a selected group of ports to the monitoring port.
- Copy data received or transmitted on a selected port to the monitoring port.
- Copy data received or transmitted on a selected group of ports to the monitoring port.

Figure 44 and Figure 45 provide illustrations on the ingress and egress monitoring.

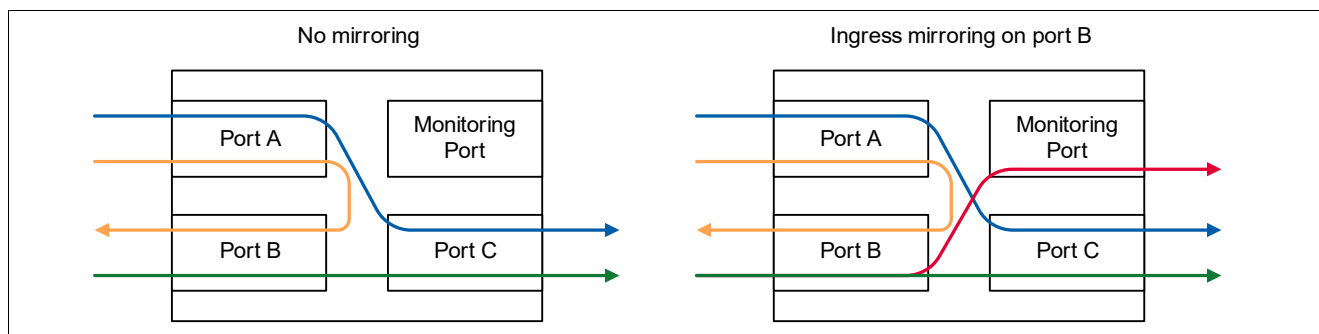


Figure 44 Port Mirroring Examples – Ingress Monitoring

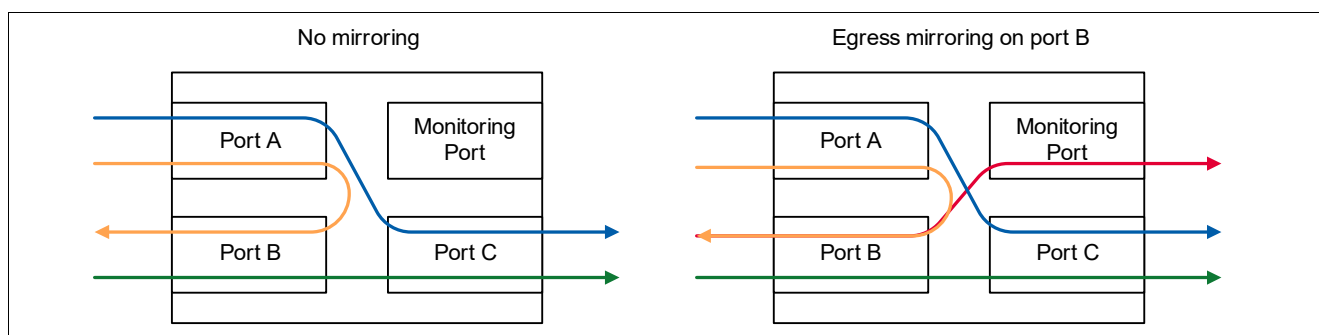


Figure 45 Port Mirroring Examples – Egress Monitoring

Mirroring can also be used to create diagnostic loopbacks, when the ingress port is identical to the monitoring port.

#### Error Monitoring

The mirroring function is used to monitor frames otherwise dropped due to reception errors, packet filtering, or violation of certain classification rules. In this case, the received frame is only delivered to the monitoring port and not to the target egress port defined in the egress port map.

Error monitoring can be explicitly enabled for the following type of violations:

- Frame dropped by the classification engine (the destination port map is all-zero)
- Frame contains L2 reception errors
- Frame contains an unknown VLAN ID (the frame carries a VLAN ID that has not been defined in the active VLAN table)

- VLAN Ingress rule violation (acceptable frame filter, i.e. “admit all tagged”)
- Ingress or egress VLAN membership violation (the frame carries a known VLAN ID, but the port is not member of the VLAN group)
- Port state violation
- MAC learning limit violation (the maximum number of MAC addresses to be learned for the port has been exceeded)
- MAC port lock or spoofing detection violation (the MAC source address has already been learned on another port)

### 3.8.7.3 Wake-on-LAN Functionality

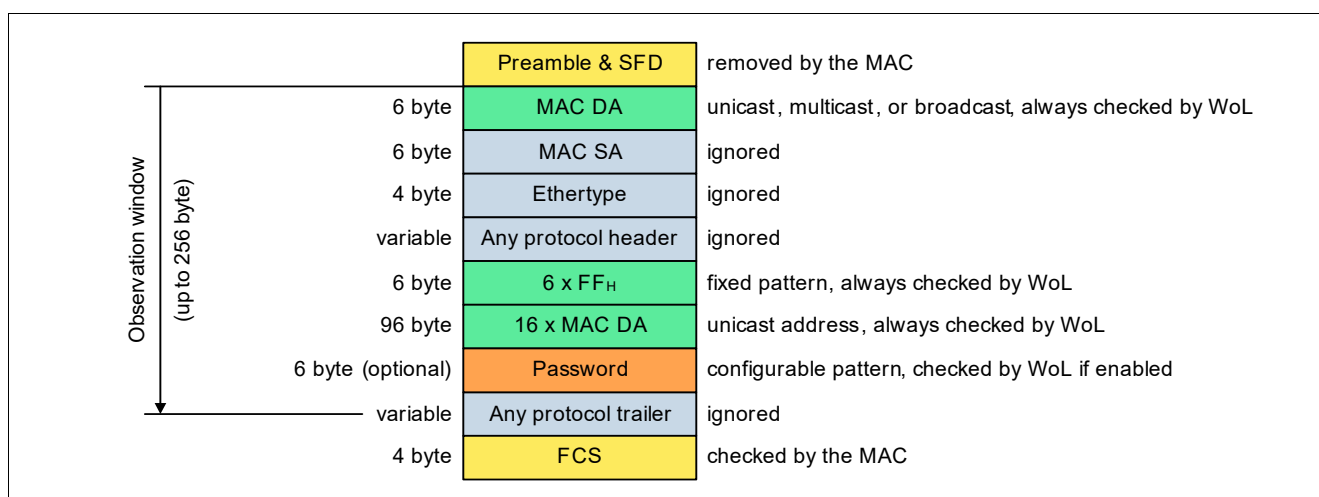
Wake-on-LAN functionality (WoL) is used to wake up a network device by sending a dedicated Layer-2/Layer-3 data packet. The Gigabit Ethernet Switch Macro detects such packets on its Ethernet input ports and triggers an interrupt. This interrupt can be used to wake up an external device, such as a router connected to the switch. Particularly, the following functions are provided:

- Detects “magic packets”
  - Addressed to a dedicated unicast MAC destination address
  - Addressed to a known multicast destination address
  - Addressed to the broadcast MAC destination address
- Password protection can be enabled for magic packets
- Programmable target MAC address
- WoL Interrupt
- WoL packet receive port indication
- WoL enable/disable per port
- Magic packets are forwarded as any other packets (for example based on the MAC destination address) but may as well be dropped when the frame classification is set up accordingly.

In addition to these standard WoL functions, a wake-up can be triggered by making an entry in the Flow Engine and programming a corresponding action to generate an interrupt. This allows to wake up for any frame pattern. Typical patterns are:

- a specified MAC destination address
- a specified MAC source address
- ARP request packets
- directed IPv4/IPv6 packets

**Figure 46** shows the typical Layer-2 magic packets structure. However the fixed pattern followed by the specific unicast address and an optional password can appear in any field location in a packet, including Layer-3 part.

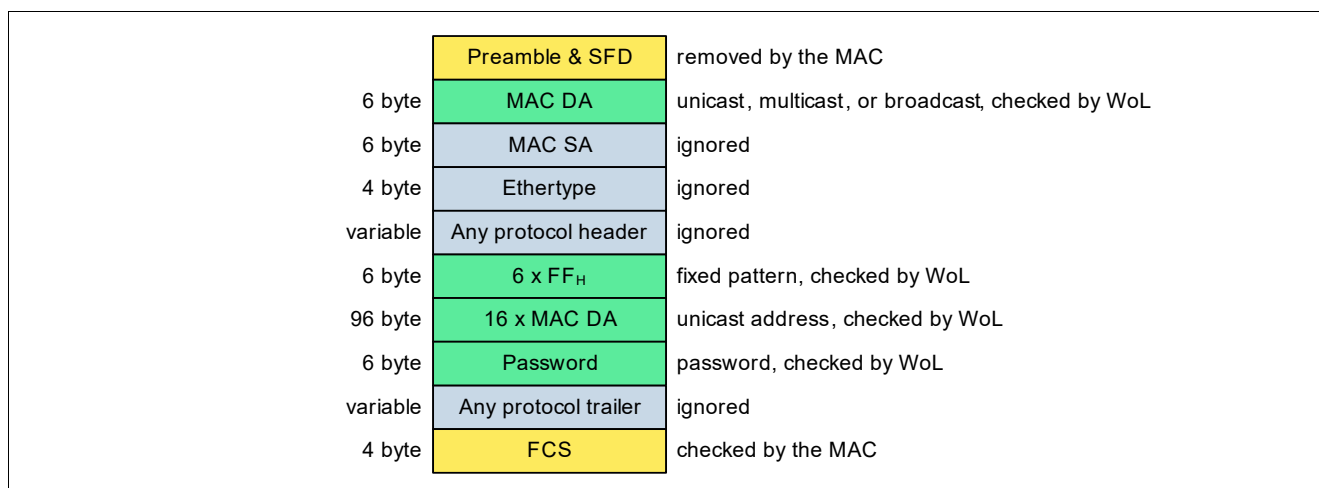


**Figure 46** Typical Magic Packet Data Structure

The WoL sequence starts with a synchronization pattern of  $6 \times FF$ , followed by 16 repetitions of the target system's MAC address. This must be the unicast address, while the MAC destination address in the layer-2 header may be either the unicast address, the broadcast address, or a multicast address of a group that contains the target system's address. After the WoL pattern, any protocol-specific trailer may follow and the frame must be terminated by a valid frame checksum (FCS). The frame size must be less or equal to the maximum allowed frame size.

As an option, a password can be defined and checked for the received WoL frames. When the password does not match the configured value, the frame is ignored. The password has the same size as the MAC address (6 byte).

**Figure 47** shows the frame structure of a typical Layer-2 password-protected WoL frames.

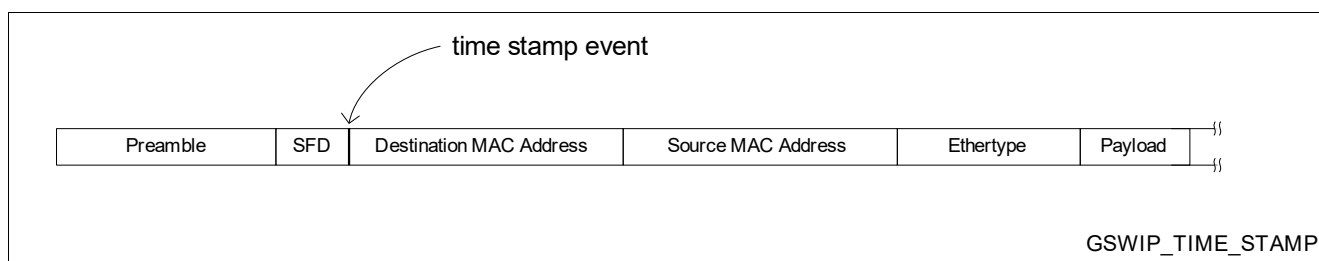


**Figure 47 Magic Packet Data Structure – Password Protection**

### 3.8.7.4 Time Stamp Functionality

A 94-bit global timer is implemented. It has three parts: a 32-bit second field, a 30-bit nano-second field and a 32-bit fractional-nano-second field. The global timer can be modified directly, adjusted with a positive/negative value or adjusted with a frequency offset via the following registers: `TIMER_FS_LSB`, `TIMER_FS_MSB`, `TIMER_NS_LSB`, `TIMER_NS_MSB`, `TIMER_SEC_LSB`, `TIMER_SEC_MSB` and `TIMER_CTRL`.

The Gigabit Ethernet Switch Macro can record a time stamp during frame reception and transmission to support IEEE 1588v2. The time stamp is recorded in hardware at the moment of reception (on ingress) or transmission (on egress) of the first byte of destination MAC address on the attached interface, as described in the **Figure 48**.



**Figure 48 Time Stamp Event Location in the Frame**

To have the time stamp recorded for a specific frame type, an appropriate rule must be added to the Traffic Flow table and a time stamp action selected for ingress time stamp, egress or both. In addition, an interrupt can be generated at the event of the time stamp record. The current timestamp value (2 least significant bit of second field and 30-bit nano-second field) is stored in a register, per port one register for the ingress arrival time (`SDMA_TSTAMP0` and `SDMA_TSTAMP1`) and for the egress departure time (`FDMA_TSTAMP0` and `FDMA_TSTAMP1`) is provided. The time stamp can be retrieved by an appropriate management action.

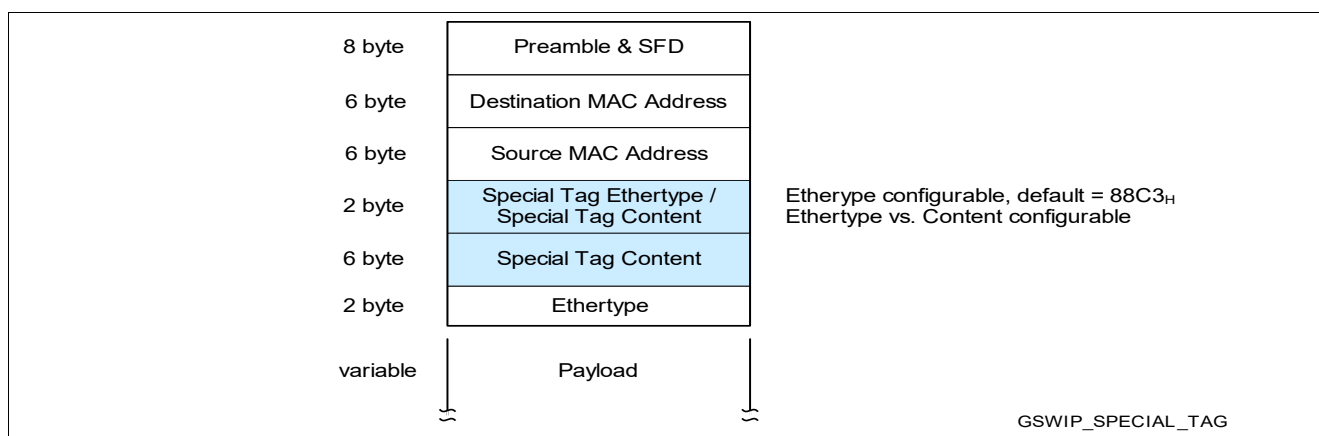


### 3.8.7.5 Special Tag Functionality

The special tag is used to override the forwarding and QoS functionality of the switch on the ingress side and to provide additional frame-status information on the egress side.

The special tag is identified by the special Ethertype located after the source MAC address in the frame. This allows the transmission of the frame via an Ethernet network to a remote receiver. The special tag content has a fixed length of 6 bytes. For internal communication or point-to-point communication it can be configured per egress port when the frame contains additional content in place of the Ethertype. This option is only available at egress direction, in ingress direction always an Ethertype is expected. See [Figure 49](#).

The pause frames generated by the MAC do not contain a special tag. This may result in a mix of frames with and without special tag on one egress port. Frames with a special tag which do not use the special Ethertype can be distinguished from pause frames since the pause frames have an Ethertype of 0x8808 while the first nibble after the MAC addresses is 0 for frames with a special tag.



**Figure 49 Special Tag Location in the Frame**

*Note: The special tag is used on the CPU port of the switch.*

The content format of the special tag is different for the ingress and the egress, the egress special tag comes in two formats (internal and external format). The following sections describe the different formats of the tag.

#### Ingress Special Tag

The ingress special tag is used to override the classification function and the default frame forwarding of the switch. The special tag detection on ingress is enabled or disabled per port. When the detection is disabled, the frame containing a special tag is treated as regular frame and the content of the frame is ignored.

When the ingress special tag detection is enabled, the content of the tag is used for the frame forwarding decision. The ingress special tag must always have a special tag Ethertype. See [Table 41](#) for details.

**Table 41 Special Tag Ingress Format**

Byte	Bit	Description
0	[7:0]	<b>Ethertype byte 1</b> (configurable, default: 88 <sub>H</sub> )
1	[7:0]	<b>Ethertype byte 2</b> (configurable, default: C3 <sub>H</sub> )
2	7	<b>Port map enable</b> (1 <sub>B</sub> = use port map, 0 <sub>B</sub> = use port mask)
	6	<b>Traffic class enable</b> (1 <sub>B</sub> = use traffic class, 0 <sub>B</sub> = ignore)
	5	<b>Time stamp enable</b> (1 <sub>B</sub> = generate time stamps, 0 <sub>B</sub> = ignore)
	4	<b>Force no learning</b> (1 <sub>B</sub> = address is not learned, 0 <sub>B</sub> = ignore)
	[3:0]	<b>Target traffic class</b> (egress priority)

**Table 41 Special Tag Ingress Format (cont'd)**

Byte	Bit	Description
3	[7:0]	<b>Target egress port map</b> (low bits)
4	[7:0]	<b>Target egress port map</b> (Reserved)
5	[7:5]	<b>Reserved</b> (all zero)
	4	<b>Interrupt enable</b> (1 <sub>B</sub> = generate an interrupt, 0 <sub>B</sub> = ignore)
	[3:0]	<b>Source Port</b> (virtual port)
6	[7:0]	<b>Reserved</b> (all zero)
7	[7:0]	<b>Reserved</b> (all zero)

Note: Bytes are defined as MSB = bit 7 and LSB = bit 0.

**Table 42** and **Table 43** describes the encoding of the port map enable and traffic class enable fields of the special tag content.

**Table 42 Port Map Coding**

Port Map Enable	Resulting Port Map
0	The egress port map is based on the forwarding classification result. The port map in the special tag is used as a filter (AND mask) on the final egress port map in the forwarding function => when a bit in the special tag port map is not set for certain egress port this port is excluded from the final egress port map.
1	The port map determined by forwarding classification result in switch is overruled. The port map in the special tag is used as the egress port map.

**Table 43 Traffic Class Map Coding**

Traffic Class Enable	Resulting Traffic Class
0	The traffic class is based on the classification result in switch.
1	The traffic class is taken from the special tag (classified traffic class ignored).

Additional action flags in the ingress special tag:

- **Time-stamp Action.** This action flag triggers the latching of the time-stamps for the received packet.
- **Interrupt Action.** This action generates an interrupt upon the packet reception.
- **Force No Learning.** This action disables the learning of the source MAC address of the received frame in the MAC bridging table.

The special tag detected on the ingress side is not delivered to the egress side. The tag is removed prior to transmission.

### Egress Special Tag

The egress special tag contains status and debug information of the switch. The special tag transmission on egress is enabled or disabled per egress port. When egress special tag is disabled, no special tag is inserted in the egress frame. When egress special tag function is enabled, each egress frame transmitted on that port contains the special tag.

The egress special tag is transmitted in one of the two formats:

- **External format.** This format contains Ethertype (2 bytes) and content (6 bytes).
- **Internal format.** This format contains no Ethertype and only content (8 bytes).

The external format can be used to transport the special tag via a network, the internal format is used for directly attached devices like a CPU which know how handle the special frame format. See [Table 44](#) and [Table 45](#) for details.

*Note: Bytes are defined as MSB = bit 7 and LSB = bit 0.*

**Table 44 Special Tag Egress External Format (with Ethertype)**

Byte	Bit	Description
0	[7:0]	<b>Ethertype</b> byte 1 (configurable, default: 88 <sub>H</sub> )
1	[7:0]	<b>Ethertype</b> byte 2 (configurable, default: C3 <sub>H</sub> )
2	[7:4]	<b>Traffic Class</b> The traffic class of the packet determined by the switch classification engine.
	[3:0]	<b>Ingress port number</b> (000 <sub>B</sub> = port 0, ..., 110 <sub>B</sub> = port 6, ...)
3	7	<b>PPPoE Session Packet</b> 0 <sub>B</sub> The packet is not PPPoE session packet 1 <sub>B</sub> The packet is PPPoE session packet
	6	<b>IPv4 Packet</b> 0 <sub>B</sub> The packet is IPv6 packet when IP offset != 0 1 <sub>B</sub> The packet is IPv4 packet when IP offset != 0
	[5:0]	<b>IP Offset<sup>1)</sup></b> . It defines the byte offset of the first byte in IP field relative to the first byte of destination MAC address of the egress packet
4	[7:0]	<b>Destination Logical Port Map (low bits)</b>
5	[7:0]	<b>Destination Logical Port Map (Reserved)</b>
6	7	<b>Mirror indication</b> , signals when the frame has been mirrored. 0 <sub>B</sub> <b>NORM</b> normal frame 1 <sub>B</sub> <b>MIRR</b> mirrored frame
	6	<b>Known L2 unicast/multicast</b> 0 <sub>B</sub> The packet destination MAC does not match one entry in bridging table. 0 <sub>B</sub> The packet destination MAC matches one entry in bridging table.
	[5:0]	<b>Packet Length High Bits<sup>1)</sup></b> The total number of bytes in the egress packet.
7	[7:0]	<b>Packet Length Low Bits<sup>1)</sup></b> The total number of bytes in the egress packet.

1) When a packet is modified at the egress side (packet header modification) with new bytes inserted or removed, the Is Tagged Flag, IP Offset and Packet Length fields are updated accordingly and contain the adjusted value for the transmitted frame. The IP\_Offset and the Packet\_Length includes the length of the special tag.

**Table 45 Special Tag Egress Internal Format (without Ethertype)**

Byte	Bit	Description
0	[7:4]	<b>Reserved</b> (all zero). Serves also as code to distinguish pause frames generated by the MAC from frames with special tag without Ethertype since pause frames start with “8” and not 0.
	3	<b>Receive error</b> indication (MAC error) 0 <sub>B</sub> <b>OK</b> Frame is Ok 1 <sub>B</sub> <b>ERR</b> Frame contains a MAC error
	2	<b>Drop indication</b> , signals when a mirrored packet has been dropped (delivered only to the mirror port) or has been forwarded (delivered normally and to the mirror port) 0 <sub>B</sub> <b>FWD</b> frame has been forwarded 1 <sub>B</sub> <b>DROP</b> frame has been dropped
	[1:0]	<b>Drop precedence</b> , defines when the frame must be eligible for dropping. 00 <sub>B</sub> <b>CRT</b> Critical frame indication 01 <sub>B</sub> <b>GRN</b> drop precedence low 10 <sub>B</sub> <b>YEL</b> drop precedence medium 11 <sub>B</sub> <b>RED</b> drop precedence high
1	[7:0] <b>Flow/Error Indication</b> <ul style="list-style-type: none"> <li>• <b>Flow Indication</b> (when Receive error = OK and drop Indication = FWD)</li> <li>• <b>Error Indication</b> <ul style="list-style-type: none"> <li>– errored frames (when Receive error = ERR)</li> <li>– dropped frames (when Receive error = OK and drop Indication = DROP)</li> </ul> </li> </ul> The error code for discarded or errored frames are described in <a href="#">Table 46</a>	
2	[7:4]	<b>Traffic Class</b> The traffic class of the packet determined by the switch classification engine.
	[3:0]	<b>Ingress port number</b> (000 <sub>B</sub> = port 0, ..., 110 <sub>B</sub> = port 6, ...)
3	7	<b>PPPoE Session Packet</b> 0 <sub>B</sub> The packet is not PPPoE session packet 1 <sub>B</sub> The packet is PPPoE session packet
	6	<b>IPv4 Packet</b> 0 <sub>B</sub> The packet is IPv6 packet when IP offset != 0 1 <sub>B</sub> The packet is IPv4 packet when IP offset != 0
	[5:0]	<b>IP Offset<sup>1)</sup></b> . It defines the byte offset of the first byte in IP field relative to the first byte of destination MAC address of the egress packet
4	[7:0]	<b>Destination Logical Port Map (low bits)</b>
5	[7:0]	<b>Destination Logical Port Map (Reserved)</b>

**Table 45 Special Tag Egress Internal Format (without Ethertype) (cont'd)**

Byte	Bit	Description
6	7	<b>Mirror indication</b> , signals when the frame has been mirrored. 0 <sub>B</sub> <b>NORM</b> normal frame 1 <sub>B</sub> <b>MIRR</b> mirrored frame
	6	<b>Known L2 unicast/multicast</b> 0 <sub>B</sub> The packet destination MAC does not match one entry in bridging table. 0 <sub>B</sub> The packet destination MAC matches one entry in bridging table.
	[5:0]	<b>Packet Length High Bits<sup>1)</sup></b> The total number of bytes in the egress packet.
7	[7:0]	<b>Packet Length Low Bits<sup>1)</sup></b> The total number of bytes in the egress packet.

1) When a packet is modified at the egress side (packet header modification) with new bytes inserted or removed, the Is Tagged Flag, IP Offset and Packet Length fields are updated accordingly and contain the adjusted value for the transmitted frame. The IP\_Offset and the Packet\_Length includes the length of the special tag.

**Table 46 Error Codes**

Bit Position	Error Type
<b>Error Indication for Frames with MAC Error (byte 0, bit 3 = ERR, byte 0, bit 2 = don't care)</b>	
7	Undefined, reserved for future use, set to 0 <sub>B</sub>
6	Receive Error
5	Is Pause Frame
4	FCS Error
3	Length Error
2	Alignment Error
1	Frame too Long
0	Frame too Short
<b>Violation Indication for Dropped Frames (byte 0, bit 3 = OK, byte 0, bit 2 = DROP)</b>	
0	Egress Port State Violation
1	Ingress Port-State Violation
2	Port-Lock Violation
3	MAC Learning Limitation Violation
4	VLAN Egress Membership Violation
5	VLAN Ingress Membership Violation
6	VLAN Ingress Tag Rule Violation
7	Unknown VLAN Violation
<b>Flow Indication for Good Frames (byte 0.3 = OK, byte 0.2 = FWD)</b>	
07:0	Flow Identification

## 4 Registers

This chapter describes the registers.

### 4.1 Top Level PDI Registers

**Table 47 Registers Overview**

Register Short Name	Register Long Name	Offset Address	Page Number
<b>Top Level PDI Registers, GPHY Shell Registers</b>			
<a href="#">GPHY0_FCR</a>	GPHY0 Firmware Address Offset Register	F700 <sub>H</sub>	<a href="#">139</a>
<a href="#">GPHY0_CFG</a>	GPHY0 General Configuration Register	F701 <sub>H</sub>	<a href="#">140</a>
<a href="#">GPHY0_AFETX_CTRL</a>	GPHY0 AFE TX Path Control Register	F702 <sub>H</sub>	<a href="#">141</a>
<a href="#">GPHY0_FCR_SD</a>	GPHY0 Firmware Address Offset Shadow Register	F703 <sub>H</sub>	<a href="#">142</a>
<a href="#">GPHY0_GPS</a>	GPHY0 General Pin-Strapping Register	F708 <sub>H</sub>	<a href="#">143</a>
<a href="#">GPHY0_BFDEV</a>	GPHY0 Base Frequency Deviation Configuration Register	F709 <sub>H</sub>	<a href="#">144</a>
<a href="#">GPHY0_STATUS</a>	GPHY0 General Status Register	F70F <sub>H</sub>	<a href="#">145</a>
<a href="#">GPHY1_FCR</a>	GPHY1 Firmware Address Offset Register	F710 <sub>H</sub>	<a href="#">139</a>
<a href="#">GPHY1_CFG</a>	GPHY1 General Configuration Register	F711 <sub>H</sub>	<a href="#">140</a>
<a href="#">GPHY1_AFETX_CTRL</a>	GPHY1 AFE TX Path Control Register	F712 <sub>H</sub>	<a href="#">141</a>
<a href="#">GPHY1_FCR_SD</a>	GPHY1 Firmware Address Offset Shadow Register	F713 <sub>H</sub>	<a href="#">142</a>
<a href="#">GPHY1_GPS</a>	GPHY1 General Pin-Strapping Register	F718 <sub>H</sub>	<a href="#">143</a>
<a href="#">GPHY1_BFDEV</a>	GPHY1 Base Frequency Deviation Configuration Register	F719 <sub>H</sub>	<a href="#">144</a>
<a href="#">GPHY1_STATUS</a>	GPHY1 General Status Register	F71F <sub>H</sub>	<a href="#">145</a>
<a href="#">GPHY2_FCR</a>	GPHY2 Firmware Address Offset Register	F720 <sub>H</sub>	<a href="#">139</a>
<a href="#">GPHY2_CFG</a>	GPHY2 General Configuration Register	F721 <sub>H</sub>	<a href="#">140</a>
<a href="#">GPHY2_AFETX_CTRL</a>	GPHY2 AFE TX Path Control Register	F722 <sub>H</sub>	<a href="#">141</a>
<a href="#">GPHY2_FCR_SD</a>	GPHY2 Firmware Address Offset Shadow Register	F723 <sub>H</sub>	<a href="#">142</a>
<a href="#">GPHY2_GPS</a>	GPHY2 General Pin-Strapping Register	F728 <sub>H</sub>	<a href="#">143</a>
<a href="#">GPHY2_BFDEV</a>	GPHY2 Base Frequency Deviation Configuration Register	F729 <sub>H</sub>	<a href="#">144</a>
<a href="#">GPHY2_STATUS</a>	GPHY2 General Status Register	F72F <sub>H</sub>	<a href="#">145</a>
<a href="#">GPHY3_FCR</a>	GPHY3 Firmware Address Offset Register	F730 <sub>H</sub>	<a href="#">139</a>
<a href="#">GPHY3_CFG</a>	GPHY3 General Configuration Register	F731 <sub>H</sub>	<a href="#">140</a>
<a href="#">GPHY3_AFETX_CTRL</a>	GPHY3 AFE TX Path Control Register	F732 <sub>H</sub>	<a href="#">141</a>
<a href="#">GPHY3_FCR_SD</a>	GPHY3 Firmware Address Offset Shadow Register	F733 <sub>H</sub>	<a href="#">142</a>
<a href="#">GPHY3_GPS</a>	GPHY3 General Pin-Strapping Register	F738 <sub>H</sub>	<a href="#">143</a>
<a href="#">GPHY3_BFDEV</a>	GPHY3 Base Frequency Deviation Configuration Register	F739 <sub>H</sub>	<a href="#">144</a>

**Table 47 Registers Overview (cont'd)**

Register Short Name	Register Long Name	Offset Address	Page Number
<b>GPHY3_STATUS</b>	GPHY3 General Status Register	F73F <sub>H</sub>	<b>145</b>
<b>Top Level PDI Registers, R(G)MII Registers</b>			
<b>MII_CFG_5</b>	xMII Interface 5 Configuration Register	F100 <sub>H</sub>	<b>146</b>
<b>PCDU_5</b>	RGMI 5 Clock Delay Configuration Register	F101 <sub>H</sub>	<b>148</b>
<b>RTXB_CTL_5</b>	xMII5 Interface Receive Transmit Buffer Control Register	F120 <sub>H</sub>	<b>149</b>
<b>MII_MUX_CFG</b>	Pin and Port Multiplexing Configuration	F130 <sub>H</sub>	<b>150</b>
<b>PKT_INS</b>	Packet Insertion Register	F140 <sub>H</sub>	<b>151</b>
<b>PKT_EXT_READ</b>	Packet Extraction Read Register	F141 <sub>H</sub>	<b>152</b>
<b>PKT_EXT_CMD</b>	Packet Extraction Command Register	F142 <sub>H</sub>	<b>153</b>
<b>PCDU5_TX_KVAL</b>	PCDU5 TX K Value	F160 <sub>H</sub>	<b>153</b>
<b>PCDU5_TX_MREQ</b>	PCDU5 TX M Required	F161 <sub>H</sub>	<b>154</b>
<b>PCDU5_TX_MBLK</b>	PCDU5 TX M Blank	F162 <sub>H</sub>	<b>154</b>
<b>PCDU5_TX_DELLEN</b>	PCDU5 TX Delay Length	F163 <sub>H</sub>	<b>155</b>
<b>PCDU5_RX_KVAL</b>	PCDU5 RX K Value	F168 <sub>H</sub>	<b>155</b>
<b>PCDU5_RX_MREQ</b>	PCDU5 RX M Required	F169 <sub>H</sub>	<b>156</b>
<b>PCDU5_RX_MBLK</b>	PCDU5 RX M Blank	F16A <sub>H</sub>	<b>156</b>
<b>PCDU5_RX_DELLEN</b>	PCDU5 RX Delay Length	F16B <sub>H</sub>	<b>157</b>
<b>Top Level PDI Registers, MDIO Master Registers</b>			
<b>GSWIP_CFG</b>	GSWIP Configuration Register	F400 <sub>H</sub>	<b>158</b>
<b>MMDIO_CTRL</b>	MDIO Master Control Register	F408 <sub>H</sub>	<b>160</b>
<b>MMDIO_READ</b>	MDIO Master Read Data Register	F409 <sub>H</sub>	<b>161</b>
<b>MMDIO_WRITE</b>	MDIO Master Write Data Register	F40A <sub>H</sub>	<b>161</b>
<b>MMDC_CFG_0</b>	MDC Master Clock Configuration Register 0	F40B <sub>H</sub>	<b>162</b>
<b>MMDC_CFG_1</b>	MDC Master Clock Configuration Register 1	F40C <sub>H</sub>	<b>163</b>
<b>PHY_ADDR_5</b>	PHY Address Register PORT 5	F410 <sub>H</sub>	<b>176</b>
<b>PHY_ADDR_4</b>	PHY Address Register PORT 4	F411 <sub>H</sub>	<b>175</b>
<b>PHY_ADDR_3</b>	PHY Address Register PORT 3	F412 <sub>H</sub>	<b>173</b>
<b>PHY_ADDR_2</b>	PHY Address Register PORT 2	F413 <sub>H</sub>	<b>171</b>
<b>PHY_ADDR_1</b>	PHY Address Register PORT 1	F414 <sub>H</sub>	<b>169</b>
<b>PHY_ADDR_0</b>	PHY Address Register PORT 0	F415 <sub>H</sub>	<b>165</b>
<b>MMDIO_STAT_0</b>	PHY MDIO Polling Status per PORT	F416 <sub>H</sub>	<b>167</b>
<b>MMDIO_STAT_1</b>	PHY MDIO Polling Status PORT 1	F417 <sub>H</sub>	<b>168</b>
<b>MMDIO_STAT_2</b>	PHY MDIO Polling Status PORT 2	F418 <sub>H</sub>	<b>168</b>
<b>MMDIO_STAT_3</b>	PHY MDIO Polling Status PORT 3	F419 <sub>H</sub>	<b>168</b>
<b>MMDIO_STAT_5</b>	PHY MDIO Polling Status PORT 5	F41B <sub>H</sub>	<b>168</b>
<b>ANEG_EEE_0</b>	EEE Auto-Negotiation Overrides PORT 0	F41D <sub>H</sub>	<b>178</b>
<b>ANEG_EEE_1</b>	EEE Auto-Negotiation Overrides PORT 1	F41E <sub>H</sub>	<b>178</b>
<b>ANEG_EEE_2</b>	EEE Auto-Negotiation Overrides PORT 2	F41F <sub>H</sub>	<b>178</b>

**Table 47 Registers Overview (cont'd)**

Register Short Name	Register Long Name	Offset Address	Page Number
<a href="#">ANEG_EEE_3</a>	EEE Auto-Negotiation Overrides PORT 3	F420 <sub>H</sub>	<a href="#">178</a>
<a href="#">ANEG_EEE_5</a>	EEE Auto-Negotiation Overrides PORT 5	F422 <sub>H</sub>	<a href="#">178</a>
<b>Top Level PDI Registers, MDIO Slave Registers</b>			
<a href="#">SMDIO_CFG</a>	MDC Slave Configuration Register	F480 <sub>H</sub>	<a href="#">179</a>
<a href="#">SMDIO_BADR</a>	MDC Slave Target Base Address Register	F481 <sub>H</sub>	<a href="#">180</a>
<b>Top Level PDI Registers, SPI Master Registers</b>			
<a href="#">MSPI_CFG</a>	SPI Master Interface Configuration Register	F510 <sub>H</sub>	<a href="#">181</a>
<a href="#">MSPI_OP</a>	SPI Master Operating Mode Configuration Register	F511 <sub>H</sub>	<a href="#">182</a>
<a href="#">MSPI_MANCTRL</a>	SPI Master Manual Mode Control Register	F512 <sub>H</sub>	<a href="#">183</a>
<a href="#">MSPI_ISR</a>	SPI Master Interrupt Status Register	F513 <sub>H</sub>	<a href="#">184</a>
<a href="#">MSPI_IER</a>	SPI Master Interrupt Enable Register	F514 <sub>H</sub>	<a href="#">185</a>
<a href="#">MSPI_DIN01</a>	SPI Master Data In 0/1 Register	F518 <sub>H</sub>	<a href="#">185</a>
<a href="#">MSPI_DIN23</a>	SPI Master Data In 2/3 Register	F519 <sub>H</sub>	<a href="#">186</a>
<a href="#">MSPI_DIN67</a>	SPI Master Data In 6/7 Register	F51B <sub>H</sub>	<a href="#">187</a>
<a href="#">MSPI_DOUT01</a>	SPI Master Data Out 0/1 Register	F51C <sub>H</sub>	<a href="#">187</a>
<a href="#">MSPI_DOUT23</a>	SPI Master Data Out 2/3 Register	F51D <sub>H</sub>	<a href="#">188</a>
<a href="#">MSPI_DOUT45</a>	SPI Master Data Out 4/5 Register	F51E <sub>H</sub>	<a href="#">188</a>
<a href="#">MSPI_DOUT67</a>	SPI Master Data Out 6/7 Register	F51F <sub>H</sub>	<a href="#">189</a>
<a href="#">MSPI_DIN45</a>	SPI Master Data In 4/5 Register	F51A <sub>H</sub>	<a href="#">186</a>
<b>Top Level PDI Registers, SPI Slave Registers</b>			
<a href="#">SSPI_CFG</a>	SPI Slave Configuration Register	F580 <sub>H</sub>	<a href="#">190</a>
<b>Top Level PDI Registers, UART Registers</b>			
<a href="#">UART_CFG</a>	UART Configuration Register	F680 <sub>H</sub>	<a href="#">191</a>
<a href="#">UART_BD</a>	UART Baud Rate Register	F681 <sub>H</sub>	<a href="#">192</a>
<a href="#">UART_FDIV</a>	UART Baud Rate Fractional Divider Register	F682 <sub>H</sub>	<a href="#">193</a>
<a href="#">UART_PROMPT</a>	UART PROPMP Register	F683 <sub>H</sub>	<a href="#">194</a>
<a href="#">UART_ERRCNT</a>	UART Error Counter Register	F684 <sub>H</sub>	<a href="#">195</a>
<b>Top Level PDI Registers, Clock Generation Unit Registers</b>			
<a href="#">ROPLL_MISC</a>	RO PLL Miscellaneous Control Register	F990 <sub>H</sub>	<a href="#">201</a>
<a href="#">GPC0_CONF</a>	GPC0 Configuration Register	F948 <sub>H</sub>	<a href="#">203</a>
<a href="#">GPC1_CONF</a>	GPC1 Configuration Register	F94C <sub>H</sub>	<a href="#">204</a>
<a href="#">SYSCLK_CONF</a>	SYCCLK Configuration Register	F950 <sub>H</sub>	<a href="#">204</a>
<a href="#">SGMII_CONF</a>	SGMII Configuration Register	F954 <sub>H</sub>	<a href="#">205</a>
<a href="#">NCO1_LSB</a>	NCO1 LSB Configuration Register	F958 <sub>H</sub>	<a href="#">206</a>
<a href="#">NCO1_MSB</a>	NCO1 MSB Configuration Register	F95C <sub>H</sub>	<a href="#">206</a>
<a href="#">NCO2_LSB</a>	NCO2 LSB Configuration Register	F960 <sub>H</sub>	<a href="#">207</a>
<a href="#">NCO2_MSB</a>	NCO2 MSB Configuration Register	F964 <sub>H</sub>	<a href="#">207</a>
<a href="#">NCO_CTRL</a>	NCO Control	F968 <sub>H</sub>	<a href="#">208</a>



**Table 47 Registers Overview (cont'd)**

Register Short Name	Register Long Name	Offset Address	Page Number
<a href="#">ROPLL_CFG0</a>	RO PLL Configuration 0 Register	F980 <sub>H</sub>	<a href="#">195</a>
<a href="#">ROPLL_CFG1</a>	RO PLL Configuration 1 Register	F984 <sub>H</sub>	<a href="#">196</a>
<a href="#">ROPLL_CFG2</a>	RO PLL Configuration Register 2	F988 <sub>H</sub>	<a href="#">197</a>
<a href="#">ROPLL_CFG3</a>	RO PLL Configuration Register 3	F98C <sub>H</sub>	<a href="#">200</a>
<b>Top Level PDI Registers, Reset Control Unit Registers</b>			
<a href="#">RESET_STATUS</a>	Reset Status Register	FA00 <sub>H</sub>	<a href="#">209</a>
<a href="#">RST_REQ</a>	Reset Request Register	FA01 <sub>H</sub>	<a href="#">209</a>
<a href="#">MANU_ID</a>	MANU ID Register	FA10 <sub>H</sub>	<a href="#">211</a>
<a href="#">PNUM_ID</a>	PNUM ID Register	FA11 <sub>H</sub>	<a href="#">212</a>
<a href="#">GPIO_DRIVE0_CFG</a>	GPIO PAD Driver Strength 0 Control Register	FA70 <sub>H</sub>	<a href="#">213</a>
<a href="#">GPIO_DRIVE1_CFG</a>	GPIO PAD Driver Strength 1 Control Register	FA71 <sub>H</sub>	<a href="#">213</a>
<a href="#">GPIO_SLEW_CFG</a>	GPIO PAD Slew Control Register	FA72 <sub>H</sub>	<a href="#">214</a>
<a href="#">GPIO2_DRIVE0_CFG</a>	GPIO2 PAD Driver Strength 0 Control Register	FA74 <sub>H</sub>	<a href="#">214</a>
<a href="#">GPIO2_DRIVE1_CFG</a>	GPIO2 PAD Driver Strength 1 Control Register	FA75 <sub>H</sub>	<a href="#">215</a>
<a href="#">GPIO2_SLEW_CFG</a>	GPIO2 Slew Control Register	FA76 <sub>H</sub>	<a href="#">216</a>
<a href="#">RGMII_SLEW_CFG</a>	RGMII PAD Slew Control Register	FA78 <sub>H</sub>	<a href="#">216</a>
<a href="#">PS0</a>	Pin-Strapping Register	FA80 <sub>H</sub>	<a href="#">218</a>
<a href="#">PS1</a>	Pin-Strapping Register 1	FA81 <sub>H</sub>	<a href="#">218</a>
<b>Top Level PDI Registers, GPIO Registers</b>			
<a href="#">GPIO_ALTSEL0</a>	Port 0 Alternate Function Select Register 0	F383 <sub>H</sub>	<a href="#">220</a>
<a href="#">GPIO_ALTSEL1</a>	Port 0 Alternate Function Select Register 1	F384 <sub>H</sub>	<a href="#">221</a>
<a href="#">GPIO_PUDSEL</a>	GPIO Pull-Up/Pull-Down Select Register	F386 <sub>H</sub>	<a href="#">221</a>
<a href="#">GPIO2_ALTSEL0</a>	Port 2 Alternate Function Select Register 0	F393 <sub>H</sub>	<a href="#">224</a>
<a href="#">GPIO2_ALTSEL1</a>	Port 2 Alternate Function Select Register 1	F394 <sub>H</sub>	<a href="#">225</a>
<a href="#">GPIO2_PUDSEL</a>	GPIO2 Pull-Up/Pull-Down Select Register	F396 <sub>H</sub>	<a href="#">225</a>
<a href="#">GPIO_OUT</a>	GPIO Data Output Register	F380 <sub>H</sub>	<a href="#">219</a>
<a href="#">GPIO_IN</a>	GPIO Data Input Register	F381 <sub>H</sub>	<a href="#">219</a>
<a href="#">GPIO_DIR</a>	GPIO Direction Register	F382 <sub>H</sub>	<a href="#">220</a>
<a href="#">GPIO_OD</a>	GPIO Open Drain Control Register	F385 <sub>H</sub>	<a href="#">221</a>
<a href="#">GPIO_PUDEN</a>	GPIO Pull-Up/Pull-Down Enable Register	F387 <sub>H</sub>	<a href="#">222</a>
<a href="#">GPIO2_OUT</a>	GPIO2 Data Output Register	F390 <sub>H</sub>	<a href="#">223</a>
<a href="#">GPIO2_IN</a>	GPIO2 Data Input Register	F391 <sub>H</sub>	<a href="#">223</a>
<a href="#">GPIO2_DIR</a>	GPIO2 Direction Register	F392 <sub>H</sub>	<a href="#">224</a>
<a href="#">GPIO2_OD</a>	GPIO2 Open Drain Control Register	F395 <sub>H</sub>	<a href="#">225</a>
<a href="#">GPIO2_PUDEN</a>	GPIO2 Pull-Up/Pull-Down Enable Register	F397 <sub>H</sub>	<a href="#">226</a>
<b>Top Level PDI Registers, ICU Registers</b>			
<a href="#">IM0_ISR</a>	IM0 Interrupt Status Register	F3C0 <sub>H</sub>	<a href="#">227</a>
<a href="#">IM0_EINT0_IER</a>	IM0 EINT0 Interrupt Enable Register	F3C2 <sub>H</sub>	<a href="#">227</a>

**Table 47 Registers Overview (cont'd)**

Register Short Name	Register Long Name	Offset Address	Page Number
<a href="#">IM0_EINT1_IER</a>	IM0 EINT1 Interrupt Enable Register	F3C3 <sub>H</sub>	<a href="#">228</a>
<a href="#">EIU_EXIN_CONF</a>	EIU External Interrupt Controller Register	F3C4 <sub>H</sub>	<a href="#">229</a>
<b>Top Level PDI Registers, LED Registers</b>			
<a href="#">LED_MD_CFG</a>	LED Single Color LED Mode Register	F3E0 <sub>H</sub>	<a href="#">231</a>
<a href="#">LED_BRT_CTRL</a>	LED Brightness Control Register	F3E1 <sub>H</sub>	<a href="#">233</a>
<a href="#">LED_LSENS_CTRL</a>	LED Light Sensing Control Register	F3E2 <sub>H</sub>	<a href="#">233</a>

The register is addressed wordwise.

**Table 48 Register Access Types**

Mode	Symbol
Interrupt status register, latching high, cleared by writing a ONE	lhsc
Hardware status, read-only	rh
Read/write register with input from and output to hardware	rwh
Standard read/write register with output to hardware	rw

### 4.1.1 GPHY Shell Registers

This section provides the registers required for GPHY configuration.

#### GPHY0 Firmware Address Offset Configuration Register

This register is used to store GPHY0 firmware address offset.

GPHY0_FCR		Offset	Reset Value
GPHY0 Firmware Address Offset Register		F700 <sub>H</sub>	4000 <sub>H</sub>
15	14	13	8
<b>MEMSEL</b>	<b>INV</b>		<b>FCR</b>
rw	rw		rw
7			0
		<b>FCR</b>	
		rw	

Field	Bits	Type	Description
MEMSEL	15	rw	<b>GPHY Code Memory Mode</b> 0 <sub>B</sub> <b>INT</b> GPHY macro loads firmware memory from internal ROM or internal RAM. 1 <sub>B</sub> <b>EXTROM</b> GPHY macro loads firmware memory by external E2PROM.
INV	14	rw	<b>Firmware Address Inversion</b> 0 <sub>B</sub> <b>NOINV</b> Firmware address is not inverted. 1 <sub>B</sub> <b>INV</b> Firmware address is inverted when access internal ROM or internal RAM.
FCR	13:0	rw	<b>Firmware Address Offset MSB</b> It stores PHY0 firmware offset address bits 17 to 4. The lower 4 address bits are 0.

#### Similar Registers

These registers are identical to the Register [GPHY0\\_FCR](#) defined above.

**Table 49 Similar Registers**

Register Short Name	Register Long Name	Offset Address	Page Number
GPHY1_FCR	GPHY1 Firmware Address Offset Register	F710 <sub>H</sub>	
GPHY2_FCR	GPHY2 Firmware Address Offset Register	F720 <sub>H</sub>	
GPHY3_FCR	GPHY3 Firmware Address Offset Register	F730 <sub>H</sub>	

**GPHY0 General Configuration Register**

This register is used to store GPHY0 general configuration register.

GPHY0_CFG	Offset	Reset Value
<b>GPHY0 General Configuration Register</b>	<b>F701<sub>H</sub></b>	<b>0000<sub>H</sub></b>
15		8
Res		
7	2	1 0
	Res	IDCNMI MDINTP
		rwh rw

Field	Bits	Type	Description
IDCNMI	1	rwh	<b>IDC Non-maskable Interrupt</b> This is a non-maskable interrupt to the IDC. As such this is the highest priority interrupt possible. It can be used for emergency applications. This signal is cleared when interrupt is acknowledged. 0 <sub>B</sub> <b>NIL</b> NMI interrupt is not pending. 1 <sub>B</sub> <b>INT</b> NMI interrupt is pending.
MDINTP	0	rw	<b>MDIO Interrupt Polarity</b> This type of information is evaluated by the integrated controller to allow configuration of the MDIO interrupt polarity by the instantiating SOC. For automatic configuration of the MDIO Interrupt polarity this configuration bit could be connected to the input of the MDIO interrupt pad. This field must be configured to 0 <sub>B</sub> . 0 <sub>B</sub> <b>HIGH</b> MDIO Interrupt is active high. 1 <sub>B</sub> <b>LOW</b> MDIO Interrupt is active low.

**Similar Registers**

These registers are identical to the Register [GPHY0\\_CFG](#) defined above.

**Table 50 Similar Registers**

Register Short Name	Register Long Name	Offset Address	Page Number
GPHY1_CFG	GPHY1 General Configuration Register	F711 <sub>H</sub>	
GPHY2_CFG	GPHY2 General Configuration Register	F721 <sub>H</sub>	
GPHY3_CFG	GPHY3 General Configuration Register	F731 <sub>H</sub>	

**GPHY0 AFE TX Path Control Register**

This register is used to store the control information for GPHY0 AFE TX Path.

GPHY0_AFETX_CTRL	Offset	Reset Value
<b>GPHY0 AFE TX Path Control Register</b>	<b>F702<sub>H</sub></b>	<b>0000<sub>H</sub></b>
15	Res	8
7	AFETX	0
	rw	

Field	Bits	Type	Description
AFETX	7:0	rw	<b>Control for AFE TX</b> Use this input to configure AFE TX path parameters.

**Similar Registers**

These registers are identical to the Register [GPHY0\\_AFETX\\_CTRL](#) defined above.

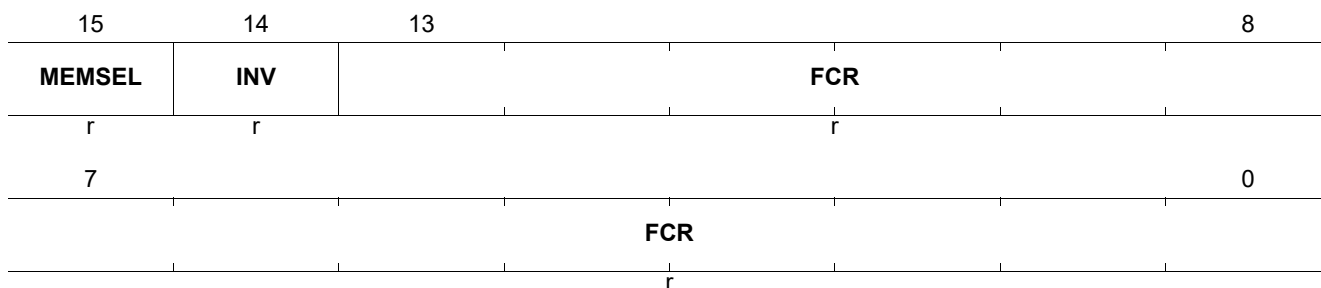
**Table 51 Similar Registers**

Register Short Name	Register Long Name	Offset Address	Page Number
GPHY1_AFETX_CTRL	GPHY1 AFE TX Path Control Register	F712 <sub>H</sub>	
GPHY2_AFETX_CTRL	GPHY2 AFE TX Path Control Register	F722 <sub>H</sub>	
GPHY3_AFETX_CTRL	GPHY3 AFE TX Path Control Register	F732 <sub>H</sub>	

**GPHY0 Firmware Address Offset Configuration Shadow Register**

This register is used to store GPHY0 firmware address offset shadow value.

<b>GPHY0_FCR_SD</b>	<b>Offset</b>	<b>Reset Value</b>
<b>GPHY0 Firmware Address Offset Shadow Register</b>	<b>F703<sub>H</sub></b>	<b>4000<sub>H</sub></b>



Field	Bits	Type	Description
MEMSEL	15	r	<b>GPHY Code Memory Mode</b> 0 <sub>B</sub> <b>INT</b> GPHY Macro loads firmware memory from internal ROM or internal RAM. 1 <sub>B</sub> <b>EXTROM</b> GPHY Macro loads firmware memory by external E2PROM.
INV	14	r	<b>Firmware Address Inversion</b> 0 <sub>B</sub> <b>NOINV</b> Firmware address is not inverted. 1 <sub>B</sub> <b>INV</b> Firmware address is inverted when access internal ROM or internal RAM.
FCR	13:0	r	<b>Firmware Address Offset MSB</b> It stores PHY0 firmware offset address bits 17 to 4. The lower 4 address bits are 0.

**Similar Registers**

These registers are identical to the Register [GPHY0\\_FCR\\_SD](#) defined above.

**Table 52 Similar Registers**

Register Short Name	Register Long Name	Offset Address	Page Number
GPHY1_FCR_SD	GPHY1 Firmware Address Offset Shadow Register	F713 <sub>H</sub>	
GPHY2_FCR_SD	GPHY2 Firmware Address Offset Shadow Register	F723 <sub>H</sub>	
GPHY3_FCR_SD	GPHY3 Firmware Address Offset Shadow Register	F733 <sub>H</sub>	

**GPHY0 General Pin-Strapping Register**

This register is used to store general pin-strapping configuration register.

<b>GPHY0_GPS</b>	<b>Offset</b>	<b>Reset Value</b>
<b>GPHY0 General Pin-Strapping Register</b>	<b>F708<sub>H</sub></b>	<b>00FF<sub>H</sub></b>
15		8
	<b>Res</b>	
7		0
	<b>GPS</b>	
	rw	

<b>Field</b>	<b>Bits</b>	<b>Type</b>	<b>Description</b>
GPS	7:0	rw	<b>General Pin-Strapping</b> This connects GPHY general pin-strapping bit 7 to 0.

**Similar Registers**

These registers are identical to the Register [GPHY0\\_GPS](#) defined above.

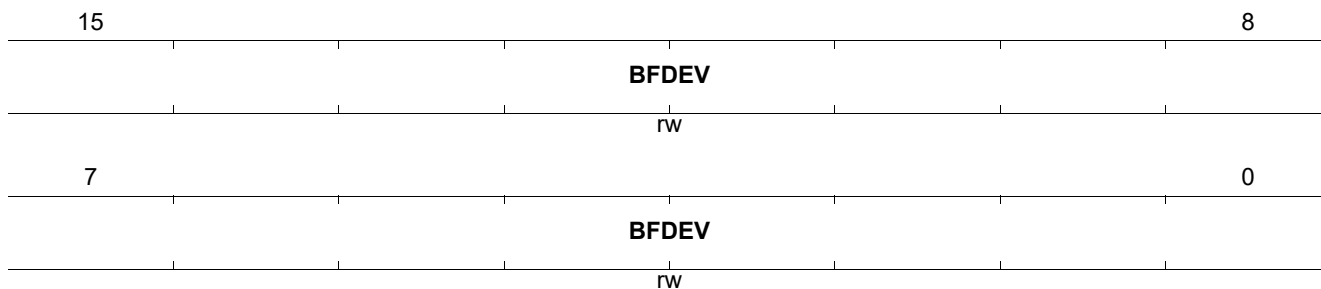
**Table 53 Similar Registers**

<b>Register Short Name</b>	<b>Register Long Name</b>	<b>Offset Address</b>	<b>Page Number</b>
GPHY1_GPS	GPHY1 General Pin-Strapping Register	F718 <sub>H</sub>	
GPHY2_GPS	GPHY2 General Pin-Strapping Register	F728 <sub>H</sub>	
GPHY3_GPS	GPHY3 General Pin-Strapping Register	F738 <sub>H</sub>	

**GPHY0 Base Frequency Deviation Configuration Register**

This register is used to store base frequency deviation configuration register.

GPHY0_BFDEV	Offset	Reset Value
<b>GPHY0 Base Frequency Deviation Configuration Register</b>	<b>F709<sub>H</sub></b>	<b>3333<sub>H</sub></b>



Field	Bits	Type	Description
BFDEV	15:0	rw	<b>Base Frequency Deviation</b> Use this input to specify base frequency deviation from nominal base.

**Similar Registers**

These registers are identical to the Register [GPHY0\\_BFDEV](#) defined above.

**Table 54 Similar Registers**

Register Short Name	Register Long Name	Offset Address	Page Number
GPHY1_BFDEV	GPHY1 Base Frequency Deviation Configuration Register	F719 <sub>H</sub>	
GPHY2_BFDEV	GPHY2 Base Frequency Deviation Configuration Register	F729 <sub>H</sub>	
GPHY3_BFDEV	GPHY3 Base Frequency Deviation Configuration Register	F739 <sub>H</sub>	



**GPHY0 General Status Register**

This register is used to store GPHY0 general status register.

GPHY0_STATUS GPHY0 General Status Register	Offset F70F <sub>H</sub>	Reset Value 0000 <sub>H</sub>
15		8
Res		
7	2	1      0
Res		IDCPWD    IDCIDLE
		r            r

Field	Bits	Type	Description
IDCPWD	1	r	<b>IDC Power Down</b> 0 <sub>B</sub> <b>PUP</b> IDC is powered up. 1 <sub>B</sub> <b>PDOWN</b> IDC is powered down.
IDCIDLE	0	r	<b>IDC Idle</b> 0 <sub>B</sub> <b>ACT</b> IDC is active. 1 <sub>B</sub> <b>IDLE</b> IDC is idle.

**Similar Registers**

These registers are identical to the Register **GPHY0\_STATUS** defined above.

**Table 55    Similar Registers**

Register Short Name	Register Long Name	Offset Address	Page Number
GPHY1_STATUS	GPHY1 General Status Register	F71F <sub>H</sub>	
GPHY2_STATUS	GPHY2 General Status Register	F72F <sub>H</sub>	
GPHY3_STATUS	GPHY3 General Status Register	F73F <sub>H</sub>	

### 4.1.2 R(G)MII Registers

This section provides the control registers of the R(G)MII Interfaces.

#### xMII Interface 5 Configuration Register

This register controls the settings of the xMII Interface.

MII_CFG_5							Offset	Reset Value
xMII Interface 5 Configuration Register							F100 <sub>H</sub>	2044 <sub>H</sub>
15	14	13	12	11	10	9	8	
<b>RST</b>	<b>EN</b>	<b>ISOL</b>	<b>CLKDIS</b>	<b>Res</b>	<b>CRS</b>		<b>RGMIIBS</b>	
rwh	rw	rw	rw			rw	rw	
7	6	4		3			0	
<b>RMII</b>	<b>MIIRATE</b>			<b>MIIMODE</b>				
		rw			rw			

Field	Bits	Type	Description
RST	15	rwh	<b>Hardware Reset</b> Resets all related hardware modules except for the register settings. This reset acts similar to the hardware reset, but maintains any programming of the control registers. 0 <sub>B</sub> <b>OFF</b> reset is off 1 <sub>B</sub> <b>ON</b> reset is active
EN	14	rw	<b>xMII Interface Enable</b> The corresponding interface can only be enabled when the disable signal at macro boundary is inactive. Otherwise the interface is disabled. 0 <sub>B</sub> <b>DIS</b> disable the interface 1 <sub>B</sub> <b>EN</b> enable the interface
ISOL	13	rw	<b>ISOLATE xMII Interface</b> Set to 0 for normal operation. In ISOLATE all xMII Output Pins are set to be disabled 0 <sub>B</sub> <b>EN</b> Interface is active 1 <sub>B</sub> <b>ISO</b> Interface outputs are isolated
CLKDIS	12	rw	<b>Link Down Clock Disable</b> For power save in case of link down signaled by MDIO, the clocks in the xMII module and in the xMII Interface can be switched off automatically. The automatic switching off can be enabled by setting this parameter to "On". 0 <sub>B</sub> <b>OFF</b> No automatic disable in case of link down 1 <sub>B</sub> <b>ON</b> Disable clocks in case of link down and switch interface off

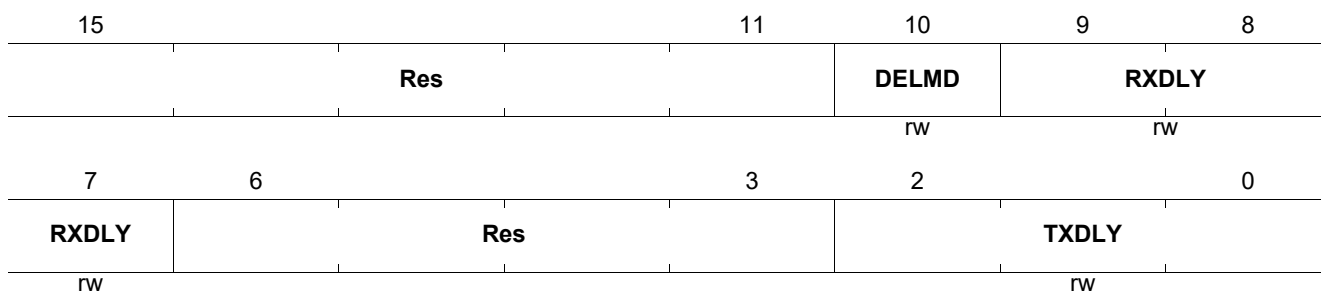
Field	Bits	Type	Description
CRS	10:9	rw	<b>CRS Sensitivity Configuration</b> These Bits are only valid in PHY Mode. CRS can be configured depending on RX and TX activity and Half/Full Duplex Modes (HDX/FDX) 00 <sub>B</sub> <b>MD0</b> HDX:TX+RX, FDX:RX 01 <sub>B</sub> <b>MD1</b> HDX:TX+RX, FDX:0 10 <sub>B</sub> <b>MD2</b> HDX:RX, FDX:RX 11 <sub>B</sub> <b>MD3</b> HDX:RX, FDX:0
RGMII_IBS	8	rw	<b>RGMII In Band Status</b> When RGMII mode is selected, this bit controls whether the In Band Status Bits Link, Clock Speed duplex are transmitted during IPG Could be set to "On" in case of connected to an external MAC. RGMII in band status extraction is always on regardless of this setting. 0 <sub>B</sub> <b>OFF</b> RGMII In Band Status is off 1 <sub>B</sub> <b>ON</b> RGMII In Band Status is on
RMII	7	rw	<b>RMII Reference Clock Direction of the Interface</b> If RMII mode is selected, this bit controls the clock source of the interface. This bit is ignored in other interface operation modes. 0 <sub>B</sub> <b>IN</b> RMII clock is input 1 <sub>B</sub> <b>OUT</b> RMII clock is output
MIIRATE	6:4	rw	<b>xMII Interface Clock Rate</b> Selects the data and clock rate for the xMII interface. In RMII mode, 50 MHz must always be selected. 000 <sub>B</sub> <b>M2P5</b> 2.5 MHz 001 <sub>B</sub> <b>M25</b> 25 MHz 010 <sub>B</sub> <b>M125</b> 125 MHz 011 <sub>B</sub> <b>M50</b> 50 MHz 100 <sub>B</sub> <b>Auto</b> Automatically clock rate based on speed
MIIMODE	3:0	rw	<b>xMII Interface Mode</b> This selects the xMII interface mode. 0011 <sub>B</sub> <b>RMII</b> RMII (MAC mode only) 0100 <sub>B</sub> <b>RGMII</b> RGMII mode, connected to external PHY or MAC

ese

**RGMII 5 Clock Delay Configuration Register**

This register controls the settings of the receive and transmit clock delay.

**PCDU\_5** **Offset**  
**RGMII 5 Clock Delay Configuration Register** **F101<sub>H</sub>** **Reset Value**  
**0000<sub>H</sub>**



Field	Bits	Type	Description
DELMD	10	rw	<b>PCDU Delay Setting Mode</b> 0 <sub>B</sub> <b>DELAY</b> Setting clock delay directly 1 <sub>B</sub> <b>MK</b> Setting M, K values
RXDLY	9:7	rw	<b>Configure Receive Clock Delay</b> Configure the delay of RX_CLK_D versus RX_CLK in steps of 500 ps. The resulting delay is TD = unsigned(RXDLY) * 500 ps
TXDLY	2:0	rw	<b>Configure Transmit Clock Delay</b> Configure the delay of TX_CLK_D versus TX_CLK in steps of 500 ps. The total configured delay is TD=unsigned(TXDLY)*500 ps.

se

**xMII5 Interface Receive Transmit Buffer Control Register**

This register is used to configure the internal receive buffer and check under and overflow.

<b>RTXB_CTL_5</b>	<b>Offset</b>	<b>Reset Value</b>
<b>xMII5 Interface Receive Transmit Buffer Control Register</b>	<b>F120<sub>H</sub></b>	<b>0009<sub>H</sub></b>

15	14	13	12	11	8
<b>TBUF_UFL</b>	<b>TBUF_OFL</b>	<b>RBUF_UFL</b>	<b>RBUF_OFL</b>	<b>Res</b>	
lhsc	lhsc	lhsc	lhsc		
7	6	5	3	2	0
<b>Res</b>	<b>TBUF_DLY_WP</b>			<b>RBUF_DLY_WP</b>	
			rw		rw

Field	Bits	Type	Description
TBUF_UFL	15	lhsc	<b>Transmit Buffer Underflow Indicator</b> Indicates when one or more transmit buffer underflow events have been detected. 0 <sub>B</sub> <b>NONE</b> Underflow never detected 1 <sub>B</sub> <b>UFL</b> Underflow occurred at least once
TBUF_OFL	14	lhsc	<b>Transmit Buffer Overflow Indicator</b> Indicates when one or more transmit buffer overflow events have been detected. 0 <sub>B</sub> <b>NONE</b> Overflow never detected 1 <sub>B</sub> <b>OFL</b> Overflow occurred at least once
RBUF_UFL	13	lhsc	<b>Receive Buffer Underflow Indicator</b> Indicates when one or more receive buffer underflow events have been detected. 0 <sub>B</sub> <b>NONE</b> Underflow is never detected 1 <sub>B</sub> <b>UFL</b> Underflow occurred at least once
RBUF_OFL	12	lhsc	<b>Receive Buffer Overflow Indicator</b> Indicates when one or more receive buffer overflow events have been detected. 0 <sub>B</sub> <b>NONE</b> Overflow is never detected 1 <sub>B</sub> <b>OFL</b> Overflow occurred at least once
TBUF_DLY_WP	5:3	rw	<b>TX Buffer Delay Write Pointer</b> This register is used to configure the initial delay of the write pointer in the transmit buffer. This delay must be larger than zero to support negative frequency offsets. This delay must be smaller than max to support positive frequency offsets.
RBUF_DLY_W P	2:0	rw	<b>RX Buffer Delay Write Pointer</b> This register is used to configure the initial delay of the write pointer in the receive buffer. This delay must be larger than zero to support negative frequency offsets. This delay must be smaller than max to support positive frequency offsets.

se

**Pin and Port Multiplexing Configuration**

This register is used to configure Pin and Port Multiplexing.

MII_MUX_CFG	Offset	Reset Value
Pin and Port Multiplexing Configuration	F130 <sub>H</sub>	0000 <sub>H</sub>
15	10	9
	<b>Res</b>	<b>PIE</b>
		<b>Res</b>
		rw
7		1
	<b>Res</b>	
		<b>GPHY0_ISO</b>
		rw

Field	Bits	Type	Description
PIE	9	rw	<b>Packet Insertion and Extraction Mode</b> This is to select packet insertion and extraction mode. 0 <sub>B</sub> <b>DIS</b> Packet insertion and extraction mode is disabled. 1 <sub>B</sub> <b>EN</b> Packet insertion and extraction mode is enabled. GSWIP port 6 is connected to packet insertion and extraction mode.
GPHY0_ISO	0	rw	<b>GPHY0 Isolation Mode</b> This is to enable or disable GPHY isolation mode. 0 <sub>B</sub> <b>DIS</b> Isolation mode is disabled, GPHY0 is connected to switch fabric. 1 <sub>B</sub> <b>EN</b> Isolation mode is enabled, GPHY0 is connected to RGMII5.

**Packet Insertion Register**

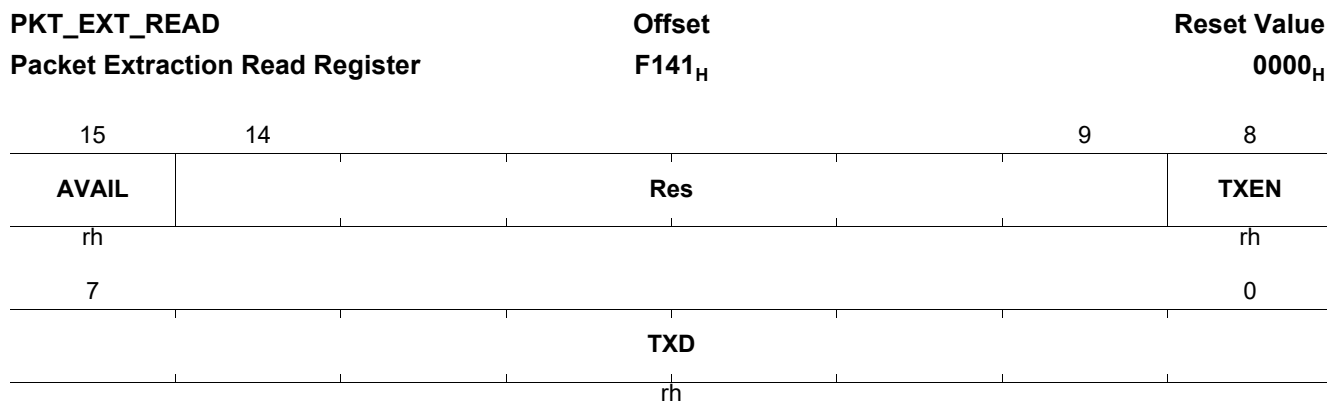
This register is used to insert packet to port 6.

PKT_INS		Offset	Reset Value
Packet Insertion Register		F140 <sub>H</sub>	0000 <sub>H</sub>
15	14	9	8
<b>INSCMD</b>		<b>Res</b>	<b>RXVD</b>
rwh			rw
7			0
		<b>RXD</b>	
		rw	

Field	Bits	Type	Description
INSCMD	15	rwh	<b>Packet Insertion Command</b> 0 <sub>B</sub> <b>NIL</b> Packet insertion is not triggered. 1 <sub>B</sub> <b>CMD</b> Start Packet insertion. CPU write '1' to this bit to trigger the insertion. This is a single cycle pulse and the bit is self clearing.
RXVD	8	rw	<b>RX Valid</b> This is to indicate whether the data byte is valid or not. 0 <sub>B</sub> <b>GAP</b> The data byte is not valid. Writing IPG. 1 <sub>B</sub> <b>VLD</b> The data byte is valid. Writing Preamble, SFD and packet data.
RXD	7:0	rw	<b>RX Data</b> Data Byte to be inserted. Including IPG, Preamble, SFD and packet data.

**Packet Extraction Read Register**

This register is used to extract packet from port 6.



Field	Bits	Type	Description
AVAIL	15	rh	<p><b>Packet Available</b></p> <p>This is to indicate a new packet is available to be extracted. When packet available, an interrupt is set.</p> <p>0<sub>B</sub> <b>NAVL</b> Packet is not available to be available.</p> <p>1<sub>B</sub> <b>AVL</b> Packet is available to be available.</p>
TXEN	8	rh	<p><b>TX Data Valid</b></p> <p>This is to indicate the extracted data byte is valid</p> <p>0<sub>B</sub> <b>NIL</b> The extracted byte is not valid</p> <p>1<sub>B</sub> <b>EN</b> The extracted byte is valid.</p>
TXD	7:0	rh	<p><b>TX Data</b></p> <p>Data byte extracted.</p>



**Packet Extraction Command Register**

This register is used to extract packet from port 6.

PKT_EXT_CMD	Offset	Reset Value
Packet Extraction Command Register	F142 <sub>H</sub>	0000 <sub>H</sub>
15		8
Res		
7		0
Res		<b>FLUSH</b>
rwh		

Field	Bits	Type	Description
FLUSH	0	rwh	<b>Packet Extraction Flush Command</b> This is to indicate to flush the rest of the current packet 0 <sub>B</sub> <b>NIL</b> The flush command is not triggered 1 <sub>B</sub> <b>CMD</b> The flush command is triggered. This bit is self-clearing and it is cleared until the flush of the current packet is done.

**PCDU5 TX K Value Register**

This register is used to configure TX K value.

PCDU5_TX_KVAL	Offset	Reset Value
PCDU5 TX K Value	F160 <sub>H</sub>	0040 <sub>H</sub>
15		8
KVAL		
rw		
7		0
KVAL		
rw		

Field	Bits	Type	Description
KVAL	15:0	rw	<b>K Value for TX Delay Path</b>

se

**PCDU5 TX M Required Register**

This register is used to configure TX M Required.

PCDU5_TX_MREQ	Offset	Reset Value
PCDU5 TX M Required	F161 <sub>H</sub>	0000 <sub>H</sub>
15		8
	MREQ	
	rw	
7		0
	MREQ	
	rw	

Field	Bits	Type	Description
MREQ	15:0	rw	M Required for TX Delay Path

se

**PCDU5 TX M Blank Register**

This register is used to configure TX M Blank.

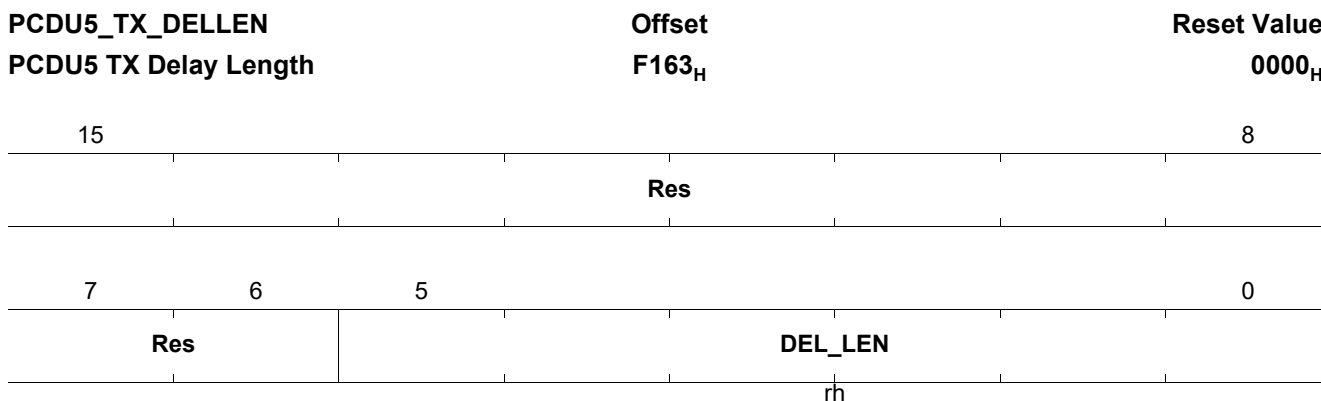
PCDU5_TX_MBLK	Offset	Reset Value
PCDU5 TX M Blank	F162 <sub>H</sub>	0002 <sub>H</sub>
15		8
	MBLK	
	rw	
7		0
	MBLK	
	rw	

Field	Bits	Type	Description
MBLK	15:0	rw	M Blank for TX Delay Path

se

**PCDU5 TX Delay Length Register**

This register is used to configure TX Delay Length.

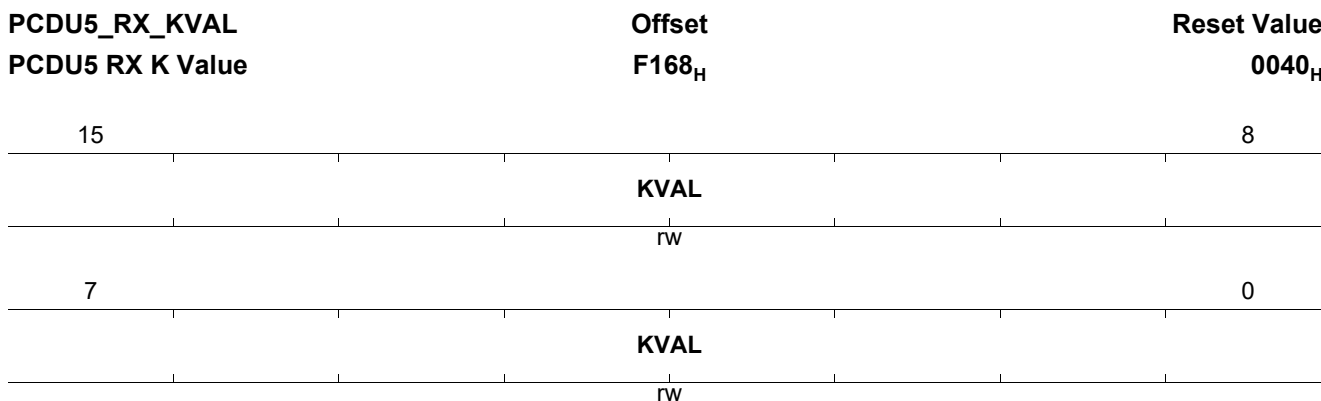


Field	Bits	Type	Description
DEL_LEN	5:0	rh	Delay Length for TX Delay Path

se

**PCDU 5 RX K Value Register**

This register is used to configure RX K value.



Field	Bits	Type	Description
KVAL	15:0	rw	K Value for RX Delay Path

se

**PCDU5 RX M Required Register**

This register is used to configure RX M Required.

PCDU5_RX_MREQ	Offset	Reset Value
PCDU5 RX M Required	F169 <sub>H</sub>	0000 <sub>H</sub>
15		8
	MREQ	
	rw	
7		0
	MREQ	
	rw	

Field	Bits	Type	Description
MREQ	15:0	rw	M Required for RX Delay Path

se

**PCDU5 RX M Blank Register**

This register is used to configure RX M Blank.

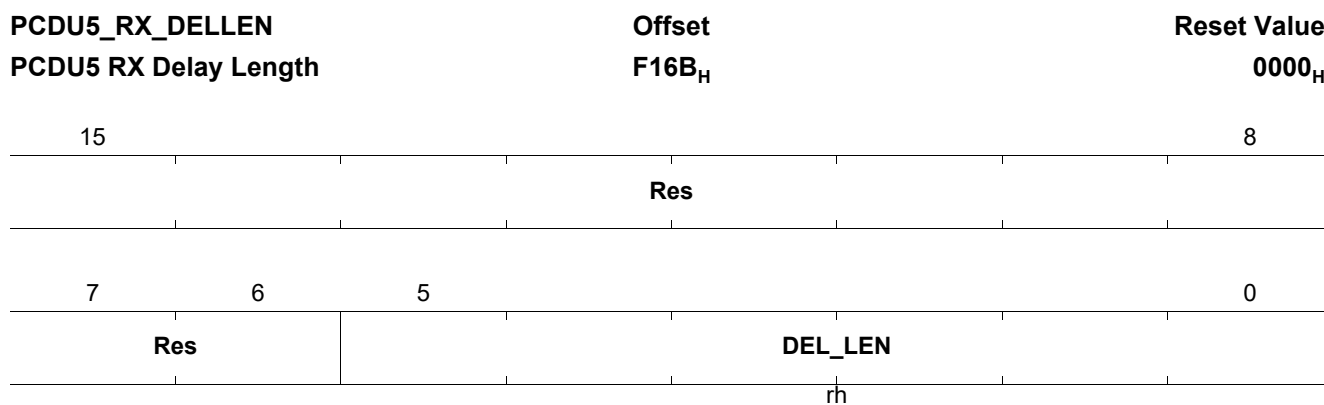
PCDU5_RX_MBLK	Offset	Reset Value
PCDU5 RX M Blank	F16A <sub>H</sub>	0002 <sub>H</sub>
15		8
	MBLK	
	rw	
7		0
	MBLK	
	rw	

Field	Bits	Type	Description
MBLK	15:0	rw	M Blank for RX Delay Path

se

**PCDU5 RX Delay Length Register**

This register is used to configure RX Delay Length.



Field	Bits	Type	Description
DEL_LEN	5:0	rh	Delay Length for RX Delay Path

se

### 4.1.3 MDIO Master Registers

This section provides the registers required to control the MDIO Master Interface.

#### GSWIP Configuration Register

This register is used to configuration GSWIP port enable and disable.

GSWIP_CFG							Offset	Reset Value
GSWIP Configuration Register							F400 <sub>H</sub>	0000 <sub>H</sub>
15	14	13	12	11	10	9	8	
<b>SE</b>	<b>P6</b>	<b>P5</b>	<b>P4</b>	<b>P3</b>	<b>P2</b>	<b>P1</b>	<b>P0</b>	
rw	rw	rw	rw	rw	rw	rw	rw	
7					2	1	0	
			<b>Res</b>			<b>HWRES</b>	<b>SWRES</b>	
						rw	rw	

Field	Bits	Type	Description
SE	15	rw	<b>Global Switch Macro Enable</b> When set to OFF, the switch macro is inactive and frame forwarding is disabled. Register configuration and memory access is enabled in the OFF state. A register programming must activate the switch by setting this bit. This is used for setting all relevant registers before enabling the data traffic 0 <sub>B</sub> <b>Disable</b> Macro is disabled 1 <sub>B</sub> <b>Enable</b> Macro is enabled
P6	14	rw	<b>Port 6 Disable Configuration</b> 0 <sub>B</sub> <b>Enable</b> Port is enabled 1 <sub>B</sub> <b>Disable</b> Port is disabled
P5	13	rw	<b>Port 5 Disable Configuration</b> 0 <sub>B</sub> <b>Enable</b> Port is enabled 1 <sub>B</sub> <b>Disable</b> Port is disabled
P4	12	rw	<b>Port 4 Disable Configuration</b> 0 <sub>B</sub> <b>Enable</b> Port is enabled 1 <sub>B</sub> <b>Disable</b> Port is disabled
P3	11	rw	<b>Port 3 Disable Configuration</b> 0 <sub>B</sub> <b>Enable</b> Port is enabled 1 <sub>B</sub> <b>Disable</b> Port is disabled
P2	10	rw	<b>Port 2 Disable Configuration</b> 0 <sub>B</sub> <b>Enable</b> Port is enabled 1 <sub>B</sub> <b>Disable</b> Port is disabled
P1	9	rw	<b>Port 1 Disable Configuration</b> 0 <sub>B</sub> <b>Enable</b> Port is enabled 1 <sub>B</sub> <b>Disable</b> Port is disabled

Field	Bits	Type	Description
P0	8	rw	<b>Port 0 Disable Configuration</b> 0 <sub>B</sub> <b>Enable</b> Port is enabled 1 <sub>B</sub> <b>Disable</b> Port is disabled
HWRES	1	rwh	<b>Global Switch Macro Hardware Reset</b> Reset all hardware modules including the register settings. This reset acts similar to the hardware reset and is cleared by HW after Reset is executed. 0 <sub>B</sub> <b>OFF</b> Reset is off 1 <sub>B</sub> <b>ON</b> Reset is active
SWRES	0	rwh	<b>Global Switch Macro Software Reset</b> Reset all GSWIP hardware modules excluding the register settings. This reset acts similar to the hardware reset, but maintains any programming of the control registers and is cleared by HW after Reset is executed. 0 <sub>B</sub> <b>OFF</b> Reset is off 1 <sub>B</sub> <b>ON</b> Reset is active





**MDIO Master Indirect Read Data Register**

This register is used to read back data across the serial MDIO master interface, internally or externally.

MMDIO_READ	Offset	Reset Value
<b>MDIO Master Read Data Register</b>	<b>F409<sub>H</sub></b>	<b>0000<sub>H</sub></b>
15		8
<b>RDATA</b>		
rh		
7		0
<b>RDATA</b>		
rh		

Field	Bits	Type	Description
RDATA	15:0	rh	<b>Read Data</b> A read access is triggered by writing to MDIO_CTRL (OP = RD, MBUSY = BUSY). After MBUSY = IDLE, data can be read.

**MDIO Master Indirect Write Data Register**

This register is used to write data across the serial MDIO master interface, internally or externally.

MMDIO_WRITE	Offset	Reset Value
<b>MDIO Master Write Data Register</b>	<b>F40A<sub>H</sub></b>	<b>0000<sub>H</sub></b>
15		8
<b>WDATA</b>		
rw		
7		0
<b>WDATA</b>		
rw		

Field	Bits	Type	Description
WDATA	15:0	rw	<b>Write Data</b> A write access is triggered by writing to MDIO_CTRL (OP = WR, MBUSY = BUSY). This register must be written before the write command is given.

**MDC Master Configuration Register 0**

This register is used to control the MDC clock output and polling state machine.

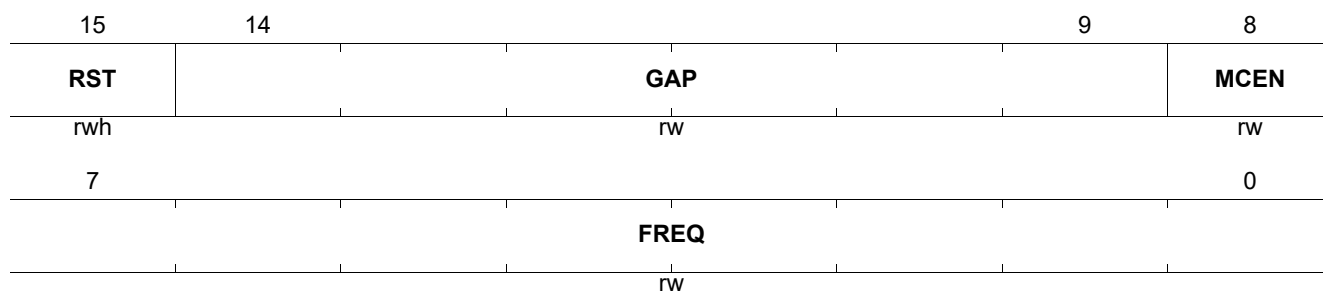
MMDC_CFG_0	Offset	Reset Value
<b>MDC Master Clock Configuration Register 0</b>	<b>F40B<sub>H</sub></b>	<b>006F<sub>H</sub></b>
15		8
	<b>Res</b>	
7		0
<b>Res</b>	<b>PEN</b>	
	<b>rw</b>	

Field	Bits	Type	Description
PEN	6:0	rw	<b>Polling State Machine Enable</b> Enables the state machine to read PHY information automatically on this port. Unused ports must be disabled to reduce the polling latency. 0 <sub>B</sub> <b>DIS</b> Automatic PHY polling is disabled on this port 1 <sub>B</sub> <b>EN</b> Automatic PHY polling is enabled on this port (default)

**MDC Master Clock Configuration Register 1**

This register is used to configure clocking rate for the MDIO master interfaces.

<b>MMDC_CFG_1</b>	<b>Offset</b>	<b>Reset Value</b>
<b>MDC Master Clock Configuration Register 1</b>	<b>F40C<sub>H</sub></b>	<b>0109<sub>H</sub></b>



Field	Bits	Type	Description
RST	15	rwh	<b>MDIO Hardware Reset</b> Reset all hardware modules except for the register settings. This reset acts similar to the hardware reset, but maintains any programming of the control registers and is cleared by HW after Reset is executed. 0 <sub>B</sub> <b>OFF</b> Reset is off 1 <sub>B</sub> <b>ON</b> Reset is active
GAP	14:9	rw	<b>Autopolling Gap</b> This register configures the number of cycles between each auto-polling read access. The number of MDIO clock cycles is 256* <b>GAP</b> .
MCEN	8	rw	<b>Management Clock Enable</b> Enables the MDC clock driver. The driver can be disabled to save power when no external devices are connected to the MDIO master interface. When the MDC clock is disabled, the MDIO pad is switched to input mode and the MDIO drivers are also disabled. 0 <sub>B</sub> <b>DIS</b> Clock driver is disabled 1 <sub>B</sub> <b>EN</b> Clock driver is enabled (default)

Field	Bits	Type	Description
FREQ	7:0	rw	<p><b>MDIO Interface Clock Rate</b></p> <p>Selects the interface data and clock rate for the MDIO master interface. The MDC clock frequency calculates as:  <math>f_{MDC} = \text{Sys\_clock\_freq} / 5 / ((\text{value} + 1) * 2)</math>.            This frequency changes when system clock frequency changes. These values are the frequencies when system clock is 340 MHz:</p> <p>00000000<sub>B</sub> <b>S0</b> 34.0 MHz            00000001<sub>B</sub> <b>S1</b> 17.0 MHz            00000010<sub>B</sub> <b>S2</b> 11.333 MHz            00000011<sub>B</sub> <b>S3</b> 8.50 MHz            00000100<sub>B</sub> <b>S4</b> 6.80 MHz            00000101<sub>B</sub> <b>S5</b> 5.66 MHz            00000110<sub>B</sub> <b>S6</b> 4.86 MHz            00000111<sub>B</sub> <b>S7</b> 4.25 MHz            00001000<sub>B</sub> <b>S8</b> 3.78 MHz            00001001<sub>B</sub> <b>S9</b> 3.4 MHz            00001010<sub>B</sub> <b>S10</b> 3.09 MHz            00001011<sub>B</sub> <b>S11</b> 2.83 MHz            00001100<sub>B</sub> <b>S12</b> 2.61 MHz            00001101<sub>B</sub> <b>S13</b> 2.43 MHz            00001110<sub>B</sub> <b>S14</b> 2.27 MHz            00001111<sub>B</sub> <b>S15</b> 2.13 MHz            11111111<sub>B</sub> <b>S255</b> 132.8 kHz</p>

**PHY Address Register PORT 0**

This register is used to define the PHY address of the port.

When autopolling in MMDC\_CFG\_0 is disabled, the modes defined here are used instead of the polling values

<b>PHY_ADDR_0</b>	<b>Offset</b>	<b>Reset Value</b>
<b>PHY Address Register PORT 0</b>	<b>F415<sub>H</sub></b>	<b>1800<sub>H</sub></b>

15	14	13	12	11	10	9	8
<b>AUTO_SEL</b>	<b>LNKST</b>		<b>SPEED</b>		<b>FDUP</b>		<b>FCONTX</b>
rw	rw		rw		rw		rw
7	6	5	4				0
<b>FCONTX</b>	<b>FCONRX</b>		<b>ADDR</b>				
rw	rw		rw				

Field	Bits	Type	Description
AUTO_SEL	15	rw	<b>Information Source for Automatic Mode</b> 0 <sub>B</sub> <b>POLLING</b> MDIO autopolling results are used for final link information 1 <sub>B</sub> <b>GPHY</b> GPHY link information outputs are used for final link information
LNKST	14:13	rw	<b>Link Status Control</b> 00 <sub>B</sub> <b>AUTO</b> Automatic mode detection by MDIO autopolling (AUTO_SEL = 0) or by GPHY link information outputs (AUTO_SEL = 1) 01 <sub>B</sub> <b>UP</b> The link status is forced up 10 <sub>B</sub> <b>DOWN</b> The link status is forced down 11 <sub>B</sub> <b>RES</b> Reserved, do not use
SPEED	12:11	rw	<b>Speed Control</b> 00 <sub>B</sub> <b>M10</b> Data Rate 10 Mbps 01 <sub>B</sub> <b>M100</b> Data Rate 100 Mbps 10 <sub>B</sub> <b>G1</b> Data Rate 1 Gbps 11 <sub>B</sub> <b>AUTO</b> Automatic mode detection by MDIO autopolling (AUTO_SEL = 0) or by GPHY link information outputs (AUTO_SEL = 1)
FDUP	10:9	rw	<b>Full Duplex Control</b> 00 <sub>B</sub> <b>AUTO</b> Automatic mode detection by MDIO autopolling (AUTO_SEL = 0) or by GPHY link information outputs (AUTO_SEL = 1) 01 <sub>B</sub> <b>EN</b> Full duplex mode 10 <sub>B</sub> <b>RES</b> Reserved 11 <sub>B</sub> <b>DIS</b> Half duplex mode

Field	Bits	Type	Description
FCONTX	8:7	rw	<b>Flow Control Mode TX</b> 00 <sub>B</sub> <b>AUTO</b> Automatic mode detection by MDIO autopolling (AUTO_SEL = 0) or by GPHY link information outputs (AUTO_SEL = 1) 01 <sub>B</sub> <b>EN</b> Flow control in receive (ingress direction) only 10 <sub>B</sub> <b>RES</b> Reserved 11 <sub>B</sub> <b>DIS</b> Flow control in transmit (egress direction) only
FCONRX	6:5	rw	<b>Flow Control Mode RX</b> 00 <sub>B</sub> <b>AUTO</b> Automatic mode detection by MDIO autopolling (AUTO_SEL = 0) or by GPHY link information outputs (AUTO_SEL = 1) 01 <sub>B</sub> <b>EN</b> Flow control in receive (ingress direction) only 10 <sub>B</sub> <b>RES</b> Reserved 11 <sub>B</sub> <b>DIS</b> Flow control in transmit (egress direction) only
ADDR	4:0	rw	<b>PHY Address</b> Default value is based on <a href="#">Table 11</a> .

**PHY MDIO Polling Status PORT 0**

This register provides information about the current status of the attached Ethernet PHY retrieved by using the auto-polling process.

This status information is retrieved from the attached Ethernet PHY by polling the related MDIO register.

MMDIO_STAT_0		Offset		Reset Value			
PHY MDIO Polling Status PORT 0		F416 <sub>H</sub>		0000 <sub>H</sub>			
15		11		10	9	8	
				<b>RXACT</b>	<b>TXACT</b>	<b>CLK_STOP_C APABLE</b>	
				ihsc	ihsc	rh	
7	6	5	4	3	2	1	0
<b>EEE_CAPAB LE</b>	<b>PACT</b>	<b>LSTAT</b>	<b>SPEED</b>	<b>FDUP</b>	<b>RXPAUEN</b>	<b>TXPAUEN</b>	
rh	rh	rh	rh	rh	rh	rh	

Field	Bits	Type	Description
RXACT	10	lhsc	<b>RX Traffic Active</b> When there is RX traffic (RXDV = '1'), this bit is set to 1 by hardware. uC can write '1' to this bit to clear it. 0 <sub>B</sub> <b>NOT Active</b> Not active 1 <sub>B</sub> <b>ACT</b> TX traffic is active
TXACT	9	lhsc	<b>TX Traffic Active</b> When there is TX traffic (TXEN = '1'), this bit is set to 1 by hardware. uC can write '1' to this bit to clear it. 0 <sub>B</sub> <b>NOT Active</b> Not active 1 <sub>B</sub> <b>ACT</b> TX traffic is active
CLK_STOP_C APABLE	8	rh	<b>PHY Supports TX Clock Stop</b> 0 <sub>B</sub> <b>DIS</b> Clock stop is not supported 1 <sub>B</sub> <b>EN</b> Clock is supported
EEE_CAPABL E	7	rh	<b>PHY and Link Partner Support EEE for Current Speed</b> 0 <sub>B</sub> <b>DIS</b> EEE is not supported 1 <sub>B</sub> <b>EN</b> EEE is supported
PACT	6	rh	<b>PHY Active Status</b> Indicates when the external PHY is responding to MDIO accesses. This status information is retrieved from the attached Ethernet PHY by polling MDIO registers. 0 <sub>B</sub> <b>INACTIVE</b> The PHY is inactive or not present 1 <sub>B</sub> <b>ACTIVE</b> The PHY is active and responds to MDIO accesses
LSTAT	5	rh	<b>Link Status</b> This status information is retrieved from the attached Ethernet PHY by polling the related MDIO register. 0 <sub>B</sub> <b>DOWN</b> The link is down 1 <sub>B</sub> <b>UP</b> The link is up

Field	Bits	Type	Description
SPEED	4:3	rh	<b>Speed Control</b> 00 <sub>B</sub> <b>M10</b> Data Rate 10 Mbps 01 <sub>B</sub> <b>M100</b> Data Rate 100 Mbps 10 <sub>B</sub> <b>G1</b> Data Rate 1 Gbps or above 11 <sub>B</sub> <b>RES</b> Reserved
FDUP	2	rh	<b>Full Duplex Status</b> Indicates when the attached PHY runs in half- or full-duplex mode. This status information is retrieved from the attached Ethernet PHY by polling the related MDIO register. 0 <sub>B</sub> <b>HALF</b> Half-duplex mode 1 <sub>B</sub> <b>FULL</b> Full-duplex mode
RXPAUEN	1	rh	<b>Receive Pause Enable Status</b> This status information is retrieved from the attached Ethernet PHY by polling the related MDIO register. 0 <sub>B</sub> <b>DIS</b> The link partner does not send pause frames 1 <sub>B</sub> <b>EN</b> The link partner sends pause frames
TXPAUEN	0	rh	<b>Transmit Pause Enable Status</b> This status information is retrieved from the attached Ethernet PHY by polling the related MDIO register. 0 <sub>B</sub> <b>DIS</b> The link partner does not accept pause frames 1 <sub>B</sub> <b>EN</b> The link partner accepts pause frames

**Similar Registers**

These registers are identical to the Register [MMDIO\\_STAT\\_0](#) defined above.

**Table 56 Similar Registers**

Register Short Name	Register Long Name	Offset Address	Page Number
MMDIO_STAT_1	PHY MDIO Polling Status PORT 1	F417 <sub>H</sub>	
MMDIO_STAT_2	PHY MDIO Polling Status PORT 2	F418 <sub>H</sub>	
MMDIO_STAT_3	PHY MDIO Polling Status PORT 3	F419 <sub>H</sub>	
MMDIO_STAT_5	PHY MDIO Polling Status PORT 5	F41B <sub>H</sub>	



**PHY Address Register PORT 1**

This register is used to define the PHY address of the port.

When autopolling in MMDC\_CFG\_0 is disabled, the modes defined here are used instead of the polling values.

<b>PHY_ADDR_1</b>	<b>Offset</b>	<b>Reset Value</b>
<b>PHY Address Register PORT 1</b>	<b>F414<sub>H</sub></b>	<b>1801<sub>H</sub></b>

	15	14	13	12	11	10	9	8
<b>AUTO_SEL</b>	<b>LNKST</b>			<b>SPEED</b>		<b>FDUP</b>		<b>FCONTX</b>
rw	rw			rw		rw		rw
	7	6	5	4				0
<b>FCONTX</b>	<b>FCONRX</b>			<b>ADDR</b>				
rw	rw			rw				

Field	Bits	Type	Description
AUTO_SEL	15	rw	<b>Information Source for Automatic Mode</b> 0 <sub>B</sub> <b>POLLING</b> MDIO autopolling results are used for final link information 1 <sub>B</sub> <b>GPHY</b> GPHY link information outputs are used for final link information
LNKST	14:13	rw	<b>Link Status Control</b> 00 <sub>B</sub> <b>AUTO</b> Automatic mode detection by MDIO autopolling (AUTO_SEL = 0) or by GPHY link information outputs (AUTO_SEL = 1) 01 <sub>B</sub> <b>UP</b> The link status is forced up 10 <sub>B</sub> <b>DOWN</b> The link status is forced down 11 <sub>B</sub> <b>RES</b> Reserved, do not use
SPEED	12:11	rw	<b>Speed Control</b> 00 <sub>B</sub> <b>M10</b> Data Rate 10 Mbps 01 <sub>B</sub> <b>M100</b> Data Rate 100 Mbps 10 <sub>B</sub> <b>G1</b> Data Rate 1 Gbps 11 <sub>B</sub> <b>AUTO</b> Automatic mode detection by MDIO autopolling (AUTO_SEL = 0) or by GPHY link information outputs (AUTO_SEL = 1)
FDUP	10:9	rw	<b>Full Duplex Control</b> 00 <sub>B</sub> <b>AUTO</b> Automatic mode detection by MDIO autopolling (AUTO_SEL = 0) or by GPHY link information outputs (AUTO_SEL = 1) 01 <sub>B</sub> <b>EN</b> Full duplex mode 10 <sub>B</sub> <b>RES</b> Reserved 11 <sub>B</sub> <b>DIS</b> Half duplex mode

Field	Bits	Type	Description
FCONTX	8:7	rw	<b>Flow Control Mode TX</b> 00 <sub>B</sub> <b>AUTO</b> Automatic mode detection by MDIO autopolling (AUTO_SEL = 0) or by GPHY link information outputs (AUTO_SEL = 1) 01 <sub>B</sub> <b>EN</b> Flow control in receive (ingress direction) only 10 <sub>B</sub> <b>RES</b> Reserved 11 <sub>B</sub> <b>DIS</b> Flow control in transmit (egress direction) only
FCONRX	6:5	rw	<b>Flow Control Mode RX</b> 00 <sub>B</sub> <b>AUTO</b> Automatic mode detection by MDIO autopolling (AUTO_SEL = 0) or by GPHY link information outputs (AUTO_SEL = 1) 01 <sub>B</sub> <b>EN</b> Flow control in receive (ingress direction) only 10 <sub>B</sub> <b>RES</b> Reserved 11 <sub>B</sub> <b>DIS</b> Flow control in transmit (egress direction) only
ADDR	4:0	rw	<b>PHY Address</b> Default value is based on <a href="#">Table 11</a> .

**PHY Address Register PORT 2**

This register is used to define the PHY address of the port.

When autopolling in MMDC\_CFG\_0 is disabled, the modes defined here are used instead of the polling values.

<b>PHY_ADDR_2</b>	<b>Offset</b>	<b>Reset Value</b>
<b>PHY Address Register PORT 2</b>	<b>F413<sub>H</sub></b>	<b>1802<sub>H</sub></b>

15	14	13	12	11	10	9	8
<b>AUTO_SEL</b>	<b>LNKST</b>		<b>SPEED</b>		<b>FDUP</b>		<b>FCONTX</b>
rw	rw		rw		rw		rw
7	6	5	4				0
<b>FCONTX</b>	<b>FCONRX</b>		<b>ADDR</b>				
rw	rw		rw				

Field	Bits	Type	Description
AUTO_SEL	15	rw	<b>Information Source for Automatic Mode</b> 0 <sub>B</sub> <b>POLLING</b> MDIO autopolling results are used for final link information 1 <sub>B</sub> <b>GPHY</b> GPHY link information outputs are used for final link information
LNKST	14:13	rw	<b>Link Status Control</b> 00 <sub>B</sub> <b>AUTO</b> Automatic mode detection by MDIO autopolling (AUTO_SEL = 0) or by GPHY link information outputs (AUTO_SEL = 1) 01 <sub>B</sub> <b>UP</b> The link status is forced up 10 <sub>B</sub> <b>DOWN</b> The link status is forced down 11 <sub>B</sub> <b>RES</b> Reserved, do not use
SPEED	12:11	rw	<b>Speed Control</b> 00 <sub>B</sub> <b>M10</b> Data Rate 10 Mbps 01 <sub>B</sub> <b>M100</b> Data Rate 100 Mbps 10 <sub>B</sub> <b>G1</b> Data Rate 1 Gbps 11 <sub>B</sub> <b>AUTO</b> Automatic mode detection by MDIO autopolling (AUTO_SEL = 0) or by GPHY link information outputs (AUTO_SEL = 1)
FDUP	10:9	rw	<b>Full Duplex Control</b> 00 <sub>B</sub> <b>AUTO</b> Automatic mode detection by MDIO autopolling (AUTO_SEL = 0) or by GPHY link information outputs (AUTO_SEL = 1) 01 <sub>B</sub> <b>EN</b> Full duplex mode 10 <sub>B</sub> <b>RES</b> Reserved 11 <sub>B</sub> <b>DIS</b> Half duplex mode

Field	Bits	Type	Description
FCONTX	8:7	rw	<b>Flow Control Mode TX</b> 00 <sub>B</sub> <b>AUTO</b> Automatic mode detection by MDIO autopolling (AUTO_SEL = 0) or by GPHY link information outputs (AUTO_SEL = 1) 01 <sub>B</sub> <b>EN</b> Flow control in receive (ingress direction) only 10 <sub>B</sub> <b>RES</b> Reserved 11 <sub>B</sub> <b>DIS</b> Flow control in transmit (egress direction) only
FCONRX	6:5	rw	<b>Flow Control Mode RX</b> 00 <sub>B</sub> <b>AUTO</b> Automatic mode detection by MDIO autopolling (AUTO_SEL = 0) or by GPHY link information outputs (AUTO_SEL = 1) 01 <sub>B</sub> <b>EN</b> Flow control in receive (ingress direction) only 10 <sub>B</sub> <b>RES</b> Reserved 11 <sub>B</sub> <b>DIS</b> Flow control in transmit (egress direction) only
ADDR	4:0	rw	<b>PHY Address</b> Default value is based on <a href="#">Table 11</a> .

**PHY Address Register PORT 3**

This register is used to define the PHY address of the port.

When autopolling in MMDC\_CFG\_0 is disabled, the modes defined here are used instead of the polling values.

<b>PHY_ADDR_3</b>	<b>Offset</b>	<b>Reset Value</b>
<b>PHY Address Register PORT 3</b>	<b>F412<sub>H</sub></b>	<b>1803<sub>H</sub></b>

15	14	13	12	11	10	9	8
<b>AUTO_SEL</b>	<b>LNKST</b>		<b>SPEED</b>		<b>FDUP</b>		<b>FCONTX</b>
rw	rw		rw		rw		rw
7	6	5	4				0
<b>FCONTX</b>	<b>FCONRX</b>		<b>ADDR</b>				
rw	rw		rw				

Field	Bits	Type	Description
AUTO_SEL	15	rw	<b>Information Source for Automatic Mode</b> 0 <sub>B</sub> <b>POLLING</b> MDIO autopolling results are used for final link information 1 <sub>B</sub> <b>GPHY</b> GPHY link information outputs are used for final link information
LNKST	14:13	rw	<b>Link Status Control</b> 00 <sub>B</sub> <b>AUTO</b> Automatic mode detection by MDIO autopolling (AUTO_SEL = 0) or by GPHY link information outputs (AUTO_SEL = 1) 01 <sub>B</sub> <b>UP</b> The link status is forced up 10 <sub>B</sub> <b>DOWN</b> The link status is forced down 11 <sub>B</sub> <b>RES</b> Reserved, do not use
SPEED	12:11	rw	<b>Speed Control</b> 00 <sub>B</sub> <b>M10</b> Data Rate 10 Mbps 01 <sub>B</sub> <b>M100</b> Data Rate 100 Mbps 10 <sub>B</sub> <b>G1</b> Data Rate 1 Gbps 11 <sub>B</sub> <b>AUTO</b> Automatic mode detection by MDIO autopolling (AUTO_SEL = 0) or by GPHY link information outputs (AUTO_SEL = 1)
FDUP	10:9	rw	<b>Full Duplex Control</b> 00 <sub>B</sub> <b>AUTO</b> Automatic mode detection by MDIO autopolling (AUTO_SEL = 0) or by GPHY link information outputs (AUTO_SEL = 1) 01 <sub>B</sub> <b>EN</b> Full duplex mode 10 <sub>B</sub> <b>RES</b> Reserved 11 <sub>B</sub> <b>DIS</b> Half duplex mode

<b>Field</b>	<b>Bits</b>	<b>Type</b>	<b>Description</b>
FCONTX	8:7	rw	<b>Flow Control Mode TX</b> 00 <sub>B</sub> <b>AUTO</b> Automatic mode detection by MDIO autopolling (AUTO_SEL = 0) or by GPHY link information outputs (AUTO_SEL = 1) 01 <sub>B</sub> <b>EN</b> Flow control in receive (ingress direction) only 10 <sub>B</sub> <b>RES</b> Reserved 11 <sub>B</sub> <b>DIS</b> Flow control in transmit (egress direction) only
FCONRX	6:5	rw	<b>Flow Control Mode RX</b> 00 <sub>B</sub> <b>AUTO</b> Automatic mode detection by MDIO autopolling (AUTO_SEL = 0) or by GPHY link information outputs (AUTO_SEL = 1) 01 <sub>B</sub> <b>EN</b> Flow control in receive (ingress direction) only 10 <sub>B</sub> <b>RES</b> Reserved 11 <sub>B</sub> <b>DIS</b> Flow control in transmit (egress direction) only
ADDR	4:0	rw	<b>PHY Address</b> Default value is based on <a href="#">Table 11</a> .

**PHY Address Register PORT 4**

This register is used to define the PHY address of the port.

When SGMII is operated in forced mode, the modes defined here are used instead of the values usually derived from SGMII autonegotiation.

**PHY\_ADDR\_4** **Offset**  
**F411<sub>H</sub>** **Reset Value**  
**1804<sub>H</sub>**

**PHY Address Register PORT 4**

	15	14	13	12	11	10	9	8
<b>Res</b>	<b>LNKST</b>			<b>SPEED</b>		<b>FDUP</b>		<b>FCONTX</b>
	rw			rw		rw		rw
	7	6	5	4				0
<b>FCONTX</b>	<b>FCONRX</b>			<b>ADDR</b>				
rw	rw			rw				

Field	Bits	Type	Description
LNKST	14:13	rw	<b>Link Status Control</b> 00 <sub>B</sub> <b>AUTO</b> Automatic mode detection by SGMII 01 <sub>B</sub> <b>UP</b> The link status is forced up 10 <sub>B</sub> <b>DOWN</b> The link status is forced down 11 <sub>B</sub> <b>RES</b> Reserved, do not use
SPEED	12:11	rw	<b>Speed Control</b> 00 <sub>B</sub> <b>M10</b> Data Rate 10 Mbps 01 <sub>B</sub> <b>M100</b> Data Rate 100 Mbps 10 <sub>B</sub> <b>G1</b> Data Rate 1 Gbps or above 11 <sub>B</sub> <b>AUTO</b> Automatic mode detection by SGMII
FDUP	10:9	rw	<b>Full Duplex Control</b> 00 <sub>B</sub> <b>AUTO</b> Automatic mode detection by SGMII 01 <sub>B</sub> <b>EN</b> Full duplex mode 10 <sub>B</sub> <b>RES</b> Reserved 11 <sub>B</sub> <b>DIS</b> Half duplex mode
FCONTX	8:7	rw	<b>Flow Control Mode TX</b> 00 <sub>B</sub> <b>AUTO</b> Automatic mode detection SGMII 01 <sub>B</sub> <b>EN</b> Flow control in receive (ingress direction) only 10 <sub>B</sub> <b>RES</b> Reserved 11 <sub>B</sub> <b>DIS</b> Flow control in transmit (egress direction) only
FCONRX	6:5	rw	<b>Flow Control Mode RX</b> 00 <sub>B</sub> <b>AUTO</b> Automatic mode detection by SGMII (default) 01 <sub>B</sub> <b>EN</b> Flow control in receive (ingress direction) only 10 <sub>B</sub> <b>RES</b> Reserved 11 <sub>B</sub> <b>DIS</b> Flow control in transmit (egress direction) only
ADDR	4:0	rw	<b>PHY Address</b> Default value is based on <a href="#">Table 11</a> .

**PHY Address Register PORT 5**

This register is used to define the PHY address of the port.

When autopolling in MMDC\_CFG\_0 is disabled, the modes defined here are used instead of the polling values.

<b>PHY_ADDR_5</b>	<b>Offset</b>	<b>Reset Value</b>
<b>PHY Address Register PORT 5</b>	<b>F410<sub>H</sub></b>	<b>1805<sub>H</sub></b>

15	14	13	12	11	10	9	8
<b>AUTO_SEL</b>	<b>LNKST</b>		<b>SPEED</b>		<b>FDUP</b>		<b>FCONTX</b>
rw	rw		rw		rw		rw
7	6	5	4				0
<b>FCONTX</b>	<b>FCONRX</b>		<b>ADDR</b>				
rw	rw		rw				

Field	Bits	Type	Description
AUTO_SEL	15	rw	<b>Information Source for Automatic Mode</b> 0 <sub>B</sub> <b>POLLING</b> MDIO autopolling results are used for final link information 1 <sub>B</sub> <b>GPHY</b> GPHY link information outputs are used for final link information
LNKST	14:13	rw	<b>Link Status Control</b> 00 <sub>B</sub> <b>AUTO</b> Automatic mode detection by MDIO autopolling (AUTO_SEL = 0) or by GPHY link information outputs (AUTO_SEL = 1) 01 <sub>B</sub> <b>UP</b> The link status is forced up 10 <sub>B</sub> <b>DOWN</b> The link status is forced down 11 <sub>B</sub> <b>RES</b> Reserved, do not use
SPEED	12:11	rw	<b>Speed Control</b> 00 <sub>B</sub> <b>M10</b> Data Rate 10 Mbps 01 <sub>B</sub> <b>M100</b> Data Rate 100 Mbps 10 <sub>B</sub> <b>G1</b> Data Rate 1 Gbps 11 <sub>B</sub> <b>AUTO</b> Automatic mode detection by MDIO autopolling (AUTO_SEL = 0) or by GPHY link information outputs (AUTO_SEL = 1)
FDUP	10:9	rw	<b>Full Duplex Control</b> 00 <sub>B</sub> <b>AUTO</b> Automatic mode detection by MDIO autopolling (AUTO_SEL = 0) or by GPHY link information outputs (AUTO_SEL = 1) 01 <sub>B</sub> <b>EN</b> Full duplex mode 10 <sub>B</sub> <b>RES</b> Reserved 11 <sub>B</sub> <b>DIS</b> Half duplex mode



Field	Bits	Type	Description
FCONTX	8:7	rw	<b>Flow Control Mode TX</b> 00 <sub>B</sub> <b>AUTO</b> Automatic mode detection by MDIO autopolling (AUTO_SEL = 0) or by GPHY link information outputs (AUTO_SEL = 1) 01 <sub>B</sub> <b>EN</b> Flow control in receive (ingress direction) only 10 <sub>B</sub> <b>RES</b> Reserved 11 <sub>B</sub> <b>DIS</b> Flow control in transmit (egress direction) only
FCONRX	6:5	rw	<b>Flow Control Mode RX</b> 00 <sub>B</sub> <b>AUTO</b> Automatic mode detection by MDIO autopolling (AUTO_SEL = 0) or by GPHY link information outputs (AUTO_SEL = 1) 01 <sub>B</sub> <b>EN</b> Flow control in receive (ingress direction) only 10 <sub>B</sub> <b>RES</b> Reserved 11 <sub>B</sub> <b>DIS</b> Flow control in transmit (egress direction) only
ADDR	4:0	rw	<b>PHY Address</b> Default value is based on <a href="#">Table 11</a> .

**EEE Auto-Negotiation Overrides Port 0**

Override what is conveyed to the MAC from the auto-negotiation with PHY.

ANEG_EEE_0	Offset	Reset Value
<b>EEE Auto-Negotiation Overrides Port 0</b>	<b>F41D<sub>H</sub></b>	<b>0000<sub>H</sub></b>
15		8
Res		
7	4	3      2      1      0
	Res	CLK_STOP_CAPABLE      EEE_CAPABLE
		rw      rw

Field	Bits	Type	Description
CLK_STOP_C APABLE	3:2	rw	<b>Clock Stop Capable</b> 00 <sub>B</sub> <b>AUTO</b> Automatic detection by autopolling 01 <sub>B</sub> <b>EN</b> Force capable on 10 <sub>B</sub> <b>RES</b> Reserved 11 <sub>B</sub> <b>DIS</b> Force capable off
EEE_CAPABL E	1:0	rw	<b>EEE Capable</b> 00 <sub>B</sub> <b>AUTO</b> Automatic detection by auto polling 01 <sub>B</sub> <b>EN</b> Force capable on 10 <sub>B</sub> <b>RES</b> Reserved 11 <sub>B</sub> <b>DIS</b> Force capable off

**Similar Registers**

These registers are identical to the Register [ANEG\\_EEE\\_0](#) defined above.

**Table 57 Similar Registers**

Register Short Name	Register Long Name	Offset Address	Page Number
ANEG_EEE_1	EEE Auto-Negotiation Overrides Port 1	F41E <sub>H</sub>	
ANEG_EEE_2	EEE Auto-Negotiation Overrides Port 2	F41F <sub>H</sub>	
ANEG_EEE_3	EEE Auto-Negotiation Overrides Port 3	F420 <sub>H</sub>	
ANEG_EEE_5	EEE Auto-Negotiation Overrides Port 5	F422 <sub>H</sub>	

#### 4.1.4 MDIO Slave Registers

This section provides the registers required to control the MDIO slave interface.

##### MDIO Slave Configuration

This register is used to configure MDIO slave interface.

SMDIO_CFG		Offset	Reset Value
MDC Slave Configuration Register		F480 <sub>H</sub>	01F1 <sub>H</sub>
15	14		9
<b>RST</b>	<b>Res</b>		<b>ADDR</b>
rwh			rw
7	4	3	2
<b>ADDR</b>		<b>Res</b>	<b>PREN</b>
rw			rw
			1
			<b>EN</b>
			rw

Field	Bits	Type	Description
RST	15	rwh	<b>MDIO Slave Hardware Reset</b> Reset all hardware modules except for the register settings. This reset acts similar to the hardware reset, but maintains any programming of the control registers and is cleared by HW after Reset is executed. 0 <sub>B</sub> <b>OFF</b> Reset is off 1 <sub>B</sub> <b>ON</b> Reset is active
ADDR	8:4	rw	<b>SMDIO Address</b> This field defined SMDIO address. SMDIO responds to the access of this address.
PREN	1	rw	<b>SMDIO 32-bit Preamble Enable</b> 0 <sub>B</sub> <b>DIS</b> Any preamble length can be accepted. 1 <sub>B</sub> <b>EN</b> Only 32-bit preamble length can be accepted.
EN	0	rw	<b>SMDIO Interface Enable</b> 0 <sub>B</sub> <b>DIS</b> SMDIO Slave interface is disabled. 1 <sub>B</sub> <b>EN</b> SMDIO Slave interface is enabled.

### MDIO Slave Target Base Address

This register is used to configure MDIO slave target base address

SMDIO_BADR	Offset	Reset Value
MDC Slave Target Base Address Register	F481 <sub>H</sub>	0000 <sub>H</sub>
15	ADDR	8
	rw	
7	ADDR	0
	rw	

Field	Bits	Type	Description
ADDR	15:0	rw	<p><b>Target Base Address</b></p> <p>It stores the target base address. For MDIO slave access, the address of target register is target base address + 5-bit offset address [in SMDIO REGADDR].</p> <p>This register's SMDIO REGADDR is 1F<sub>H</sub>.</p>

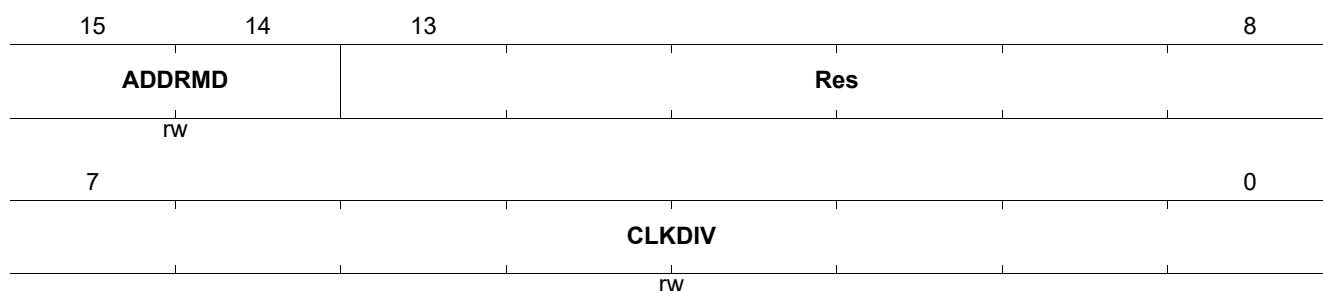
### 4.1.5 SPI Master Registers

This section provides the registers required for the SPI master interface.

#### SPI Master Interface Configuration

This register is used to configure SPI master interface mode.

MSPi_CFG	Offset	Reset Value
SPI Master Interface Configuration Register	F510 <sub>H</sub>	8019 <sub>H</sub>

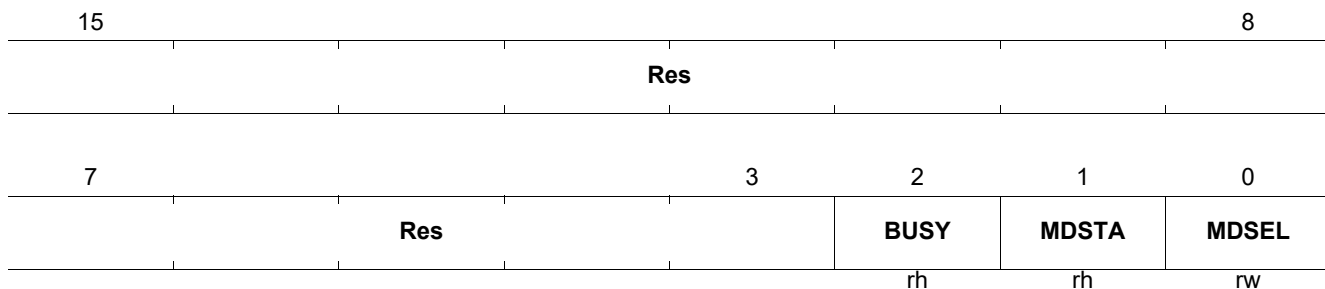


Field	Bits	Type	Description
ADDRMD	15:14	rw	<b>SPI Master Addressing Mode</b> This bit specifies SPI master interface addressing mode. 00 <sub>B</sub> <b>9-bit</b> SPI master interface is in 9-bit address mode. 01 <sub>B</sub> <b>16-bit</b> SPI master interface is in 16/17-bit address mode. 10 <sub>B</sub> <b>24-bit</b> SPI master interface is in 24-bit address mode. 11 <sub>B</sub> <b>24H-bit</b> SPI master interface is in 24-bit high speed access mode.
CLKDIV	7:0	rw	<b>SPI Clock Divider</b> This bit specifies SPI master interface clock divider. SPI clock is system core clock divided by this configuration. Frequency of SPI Clock = $\text{Sys\_clock\_freq}/8/(\text{CLKDIV}+1)$

**SPI Master Operating Mode Configuration**

This register is used to configure SPI master interface operating mode.

<b>MSPI_OP</b>	<b>Offset</b>	<b>Reset Value</b>
<b>SPI Master Operating Mode Configuration Register</b>	<b>F511<sub>H</sub></b>	<b>0000<sub>H</sub></b>



<b>Field</b>	<b>Bits</b>	<b>Type</b>	<b>Description</b>
BUSY	2	rh	<b>SPI Master Transaction Ongoing</b> This bit tells SPI master transaction status. 0 <sub>B</sub> <b>IDLE</b> There is no ongoing SPI master transaction. 1 <sub>B</sub> <b>PEND</b> Pending request of manual mode is acknowledged.
MDSTA	1	rh	<b>SPI Master Operation Mode Status</b> This bit indicates SPI master operation mode status. 0 <sub>B</sub> <b>AUTO</b> SPI master is in Auto operation mode. 1 <sub>B</sub> <b>MANU</b> SPI master is in manual operation mode.
MDSEL	0	rw	<b>SPI Master Operation Mode Selection</b> This bit specifies SPI manual or auto operation mode selection. The changing of this bit triggers the operation mode change request. Manual mode operation can be started when operation mode status is changed to manual mode. 0 <sub>B</sub> <b>AUTO</b> Auto operation mode is selected. 1 <sub>B</sub> <b>MANU</b> Manual operation mode is selected.

### SPI Master Manual Mode Control

This register is used to control SPI master manual mode transaction.

MSPi_MANCTRL	Offset	Reset Value
SPI Master Manual Mode Control Register	F512 <sub>H</sub>	0000 <sub>H</sub>
15		8
Res		
7	4 3 2	0
Res	START	SIZE
	rwh	rw

Field	Bits	Type	Description
START	3	rwh	<p><b>SPI Manual Mode Transaction Start Request</b></p> <p>This bit triggers SPI manual mode transaction to start. Writing to '1' to triggers the manual mode transaction. When the transaction is done, this bit is clear by hardware automatically</p> <p>0<sub>B</sub> <b>NIL</b> There is no ongoing manual mode transaction.</p> <p>1<sub>B</sub> <b>START</b> Manual mode transaction is started and ongoing.</p>
SIZE	2:0	rw	<p><b>SPI Manual Mode Transaction Size</b></p> <p>Size of SPI transaction in Bytes (actual size = t_size + 1), i.e. 0: size = 1 Byte, 7: size = 8 Byte</p>

**SPI Master Interrupt Status Register**

This register is used to hold SPI interrupt status.

MSPi_ISR	Offset	Reset Value
SPI Master Interrupt Status Register	F513 <sub>H</sub>	0000 <sub>H</sub>
15		8
	Res	
7		0
	Res	DONE
		ihsc

Field	Bits	Type	Description
DONE	0	lhsc	<p><b>SPI Manual Operation Transaction Done</b></p> <p>This field holds SPI manual operation mode transaction done interrupt.</p> <p>0<sub>B</sub> <b>NONE</b> Done interrupt is not triggered.</p> <p>1<sub>B</sub> <b>DONE</b> Done interrupt is triggered.</p>



**SPI Master Interrupt Enable Register**

This register is used to specify SPI interrupt enable.

MSPI_IER	Offset	Reset Value
<b>SPI Master Interrupt Enable Register</b>	<b>F514<sub>H</sub></b>	<b>0000<sub>H</sub></b>
15		8
Res		
7		0
Res		<b>DONE</b>
rw		

Field	Bits	Type	Description
DONE	0	rw	<b>SPI Access Done</b> This field specifies SPI access done interrupt enable 0 <sub>B</sub> <b>DIS</b> Access Done interrupt is disabled. 1 <sub>B</sub> <b>EN</b> Access Done interrupt is enabled.

**SPI Master Data In 0/1 Register**

This register is used to store SPI data in byte 0 and 1.

MSPI_DIN01	Offset	Reset Value
<b>SPI Master Data In 0/1 Register</b>	<b>F518<sub>H</sub></b>	<b>0000<sub>H</sub></b>
15		8
DIN0		
rh		
7		0
DIN1		
rh		

Field	Bits	Type	Description
DIN0	15:8	rh	<b>SPI Data In Byte 0</b> This field holds byte 0 (first byte) of the latest read transaction.
DIN1	7:0	rh	<b>SPI Data In Byte 1</b> This field holds byte 1 of the latest read transaction.

**SPI Master Data In 2/3 Register**

This register is used to store SPI data in byte 2 and 3.

<b>MSPI_DIN23</b>	<b>Offset</b>	<b>Reset Value</b>
<b>SPI Master Data In 2/3 Register</b>	<b>F519<sub>H</sub></b>	<b>0000<sub>H</sub></b>
15		8
	<b>DIN2</b>	
	rh	
7		0
	<b>DIN3</b>	
	rh	

<b>Field</b>	<b>Bits</b>	<b>Type</b>	<b>Description</b>
DIN2	15:8	rh	<b>SPI Data In Byte 2</b> This field holds byte 2 of the latest read transaction.
DIN3	7:0	rh	<b>SPI Data In Byte 3</b> This field holds byte 3 of the latest read transaction.

**SPI Master Data In 4/5 Register**

This register is used to store SPI data in byte 4 and 5.

<b>MSPI_DIN45</b>	<b>Offset</b>	<b>Reset Value</b>
<b>SPI Master Data In 4/5 Register</b>	<b>F51A<sub>H</sub></b>	<b>0000<sub>H</sub></b>
15		8
	<b>DIN4</b>	
	rh	
7		0
	<b>DIN5</b>	
	rh	

<b>Field</b>	<b>Bits</b>	<b>Type</b>	<b>Description</b>
DIN4	15:8	rh	<b>SPI Data In Byte 4</b> This field holds byte 4 of the latest read transaction.
DIN5	7:0	rh	<b>SPI Data In Byte 5</b> This field holds byte 5 of the latest read transaction.

**SPI Master Data In 6/7 Register**

This register is used to store SPI data in byte 6 and 7.

<b>MSPI_DIN67</b>	<b>Offset</b>	<b>Reset Value</b>
<b>SPI Master Data In 6/7 Register</b>	<b>F51B<sub>H</sub></b>	<b>0000<sub>H</sub></b>
15		8
	<b>DIN6</b>	
	rh	
7		0
	<b>DIN7</b>	
	rh	

<b>Field</b>	<b>Bits</b>	<b>Type</b>	<b>Description</b>
DIN6	15:8	rh	<b>SPI Data In Byte 6</b> This field holds byte 6 of the latest read transaction.
DIN7	7:0	rh	<b>SPI Data In Byte 7</b> This field holds byte 7 of the latest read transaction.

**SPI Master Data Out 0/1 Register**

This register is used to store SPI data out byte 0 and 1.

<b>MSPI_DOUT01</b>	<b>Offset</b>	<b>Reset Value</b>
<b>SPI Master Data Out 0/1 Register</b>	<b>F51C<sub>H</sub></b>	<b>0000<sub>H</sub></b>
15		8
	<b>DOUT0</b>	
	rw	
7		0
	<b>DOUT1</b>	
	rw	

<b>Field</b>	<b>Bits</b>	<b>Type</b>	<b>Description</b>
DOUT0	15:8	rw	<b>SPI Data Out Byte 0</b> This field holds byte 0 (first byte) of the latest write transaction.
DOUT1	7:0	rw	<b>SPI Data Out Byte 1</b> This field holds byte 1 of the latest write transaction.

**SPI Master Data Out 2/3 Register**

This register is used to store SPI data out byte 2 and 3.

MSPI_DOUT23	Offset	Reset Value
SPI Master Data Out 2/3 Register	F51D <sub>H</sub>	0000 <sub>H</sub>
15		8
<b>DOUT2</b>		
rw		
7		0
<b>DOUT3</b>		
rw		

Field	Bits	Type	Description
DOUT2	15:8	rw	<b>SPI Data Out Byte 2</b> This field holds byte 2 of the latest write transaction.
DOUT3	7:0	rw	<b>SPI Data Out Byte 3</b> This field holds byte 3 of the latest write transaction.

**SPI Master Data Out 4/5 Register**

This register is used to store SPI data out byte 4 and 5.

MSPI_DOUT45	Offset	Reset Value
SPI Master Data Out 4/5 Register	F51E <sub>H</sub>	0000 <sub>H</sub>
15		8
<b>DOUT4</b>		
rw		
7		0
<b>DOUT5</b>		
rw		

Field	Bits	Type	Description
DOUT4	15:8	rw	<b>SPI Data Out Byte 4</b> This field holds byte 4 of the latest write transaction.
DOUT5	7:0	rw	<b>SPI Data Out Byte 5</b> This field holds byte 5 of the latest write transaction.

**SPI Master Data Out 6/7 Register**

This register is used to store SPI data out byte 6 and 7.

<b>MSPI_DOUT67</b>	<b>Offset</b>	<b>Reset Value</b>
<b>SPI Master Data Out 6/7 Register</b>	<b>F51F<sub>H</sub></b>	<b>0000<sub>H</sub></b>
15		8
<b>DOUT6</b>		
rw		
7		0
<b>DOUT7</b>		
rw		

<b>Field</b>	<b>Bits</b>	<b>Type</b>	<b>Description</b>
DOUT6	15:8	rw	<b>SPI Data Out Byte 6</b> This field holds byte 6 of the latest write transaction.
DOUT7	7:0	rw	<b>SPI Data Out Byte 7</b> This field holds byte 7 of the latest write transaction.

### 4.1.6 SPI Slave Registers

This section provides the registers required for the SPI slave interface.

#### SPI Slave Configuration Register

This register is used for SPI Slave Interface Configuration.

SSPI_CFG		Offset		Reset Value	
SPI Slave Configuration Register		F580 <sub>H</sub>		0200 <sub>H</sub>	
15	14	13	10	9	8
<b>SDOEGSEL</b>	<b>SDIEGSEL</b>	<b>Res</b>		<b>REFCYC</b>	
rw	rw			rw	
7				1	0
<b>DRVDLY</b>				<b>EN</b>	
rw				rw	

Field	Bits	Type	Description
SDOEGSEL	15	rw	<b>SDO Edge Select</b> This field selects the edge with which a SDO is driven out. For example, when the master expects a rising edge, the driving must be at the rising edge. 0 <sub>B</sub> <b>FALL</b> SDO is driven at falling edge. 1 <sub>B</sub> <b>RISE</b> SDO is driven at rising edge.
SDIEGSEL	14	rw	<b>SDI Edge Select</b> This field selects the edge with which a SDI is sampled reliably (e.g. when master drives with rising edge, sampling must be set to falling, VERY IMPORTANT). 0 <sub>B</sub> <b>FALL</b> SDI is sampled at falling edge. 1 <sub>B</sub> <b>RISE</b> SDI is sampled at rising edge.
REFCYC	9:8	rw	<b>SPI Slave Bus Reference Cycle</b> It specifies SDO output cycle adjustment, default value is 2, as to allow for adjustments up to 2 SCK clock cycles earlier.
DRVDLY	7:1	rw	<b>SPI Slave Bus Driver Delay</b> It specifies delay given in number of core clock cycles. <i>Note: Values 0 and 1 correspond to about delay of 4 core clock cycles as seen from PAD.</i>
EN	0	rw	<b>SPI Slave Interface Enable</b> 0 <sub>B</sub> <b>DIS</b> SPI Slave interface is disabled. 1 <sub>B</sub> <b>EN</b> SPI Slave interface is enabled.

### 4.1.7 UART Registers

This section provides the registers required for the UART interface.

#### UART Configuration Register

This register is used for UART Configuration.

UART_CFG	Offset	Reset Value
UART Configuration Register	F680 <sub>H</sub>	0001 <sub>H</sub>
15	10	9      8
Res		LFDIS      CRDIS
		rw      rw
7	4      3      2	1      0
STOP	Res	PAREN      EN
rw		rw      rw

Field	Bits	Type	Description
LFDIS	9	rw	<b>LF As Enter Disable</b> 0 <sub>B</sub> <b>EN</b> LF as “echoed enter” is enabled. 1 <sub>B</sub> <b>DIS</b> LF as “echoed enter” is disabled.
CRDIS	8	rw	<b>CR As Enter Disable</b> 0 <sub>B</sub> <b>EN</b> CR as “echoed enter” is enabled. 1 <sub>B</sub> <b>DIS</b> CR as “echoed enter” is disabled.
STOP	7:4	rw	<b>Additional Stop Bits</b> The number of additional stop bits. The number of stop bits is 1 plus additional stop bits.
PAREN	1	rw	<b>UART Parity Enable</b> 0 <sub>B</sub> <b>DIS</b> Parity is disabled. 1 <sub>B</sub> <b>EN</b> Parity is enabled.
EN	0	rw	<b>UART Interface Enable</b> 0 <sub>B</sub> <b>DIS</b> UART interface is disabled. 1 <sub>B</sub> <b>EN</b> UART interface is enabled.

### UART Baud Rate Register

This register is used for UART Baud Rate Configuration.

UART_BD	Offset	Reset Value
UART Baud Rate Register	F681 <sub>H</sub>	0B71 <sub>H</sub>
15		8
	BD	
	rw	
7		0
	BD	
	rw	

Field	Bits	Type	Description
BD	15:0	rw	<b>Baud Rate Divider</b> This field must be configured: round down 337.5M/baud rate to an integer.



**UART Baud Rate Fractional Divider Register**

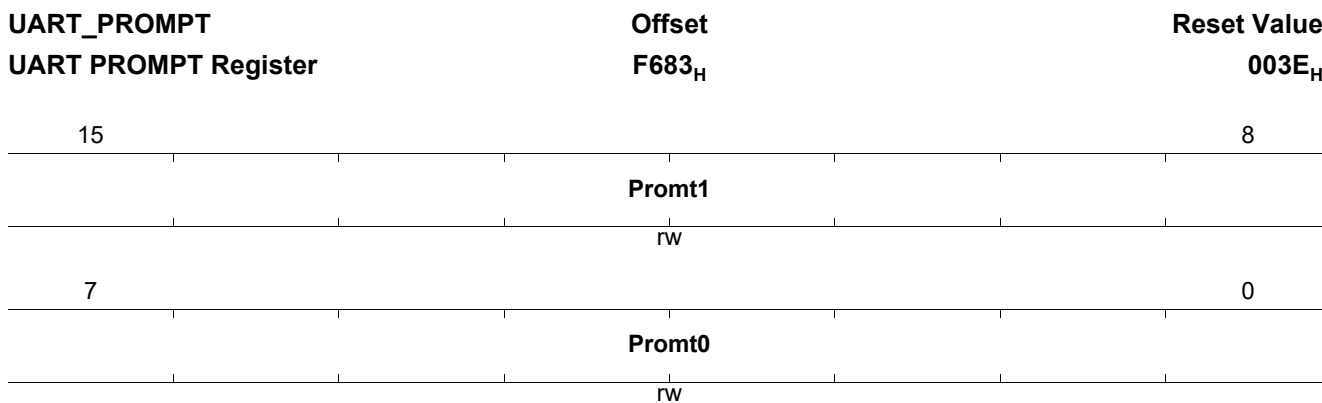
This register is used for UART Baud Rate Fractional Divider Configuration.

UART_FDIV	Offset	Reset Value
UART Baud Rate Fractional Divider Register	F682 <sub>H</sub>	00B0 <sub>H</sub>
15		8
	Res	
7		0
	FDIV	
	rw	

Field	Bits	Type	Description
FDIV	7:0	rw	<b>Baud Rate Fractional Divider</b> The baud rate fractional divider is configured to: round up $256 * (337.5M / \text{baud rate} - BD)$ to an integer

**UART PROMPT Register**

This register is used for UART Prompt.



Field	Bits	Type	Description
Prompt1	15:8	rw	<b>Second Prompt Character</b> When this field is 0, then second prompt character is disabled.
Prompt0	7:0	rw	<b>First Prompt Character</b>

**UART Error Counter Register**

This register is used for UART Error Counter Register.

UART_ERRCNT	Offset	Reset Value
UART Error Counter Register	F684 <sub>H</sub>	0000 <sub>H</sub>
15		8
	CNT	
	rh	
7		0
	CNT	
	rh	

Field	Bits	Type	Description
CNT	15:0	rh	<b>Error Counter</b> Error Counter

**4.1.8 Clock Generation Unit Registers**

This section describes all registers in CGU module.

**Top Level RO PLL Configuration 0 Register**

It configures the top level RO PLL. This register cannot be reset by global software reset and module software reset.

ROPLL_CFG0	Offset	Reset Value
RO PLL Configuration 0 Register	F980 <sub>H</sub>	0141 <sub>H</sub>
15		9
	PLL_K	8
	rw	PLL_N
		rw
7		2
	PLL_N	1
		PLL_L
		PLL_RST
	rw	rh
		rw

Field	Bits	Type	Description
PLL_K	15:9	rw	<b>PLL Fractional K Divider 6:0</b> PLL fractional K divider configuration.
PLL_N	8:2	rw	<b>PLL N Divider</b> PLL N divider configuration.

**Registers**

Field	Bits	Type	Description
PLL_L	1	rh	<b>PLL Lock Status</b> PLL lock/unlock status information. 0 <sub>B</sub> <b>DISABLE</b> Disable PLL is not locked (default after reset). 1 <sub>B</sub> <b>ENABLE</b> Enable PLL is locked.
PLL_RST	0	rw	<b>PLL Reset</b> PLL reset control. 0 <sub>B</sub> <b>RST</b> Reset PLL. 1 <sub>B</sub> <b>NORST</b> No reset PLL.

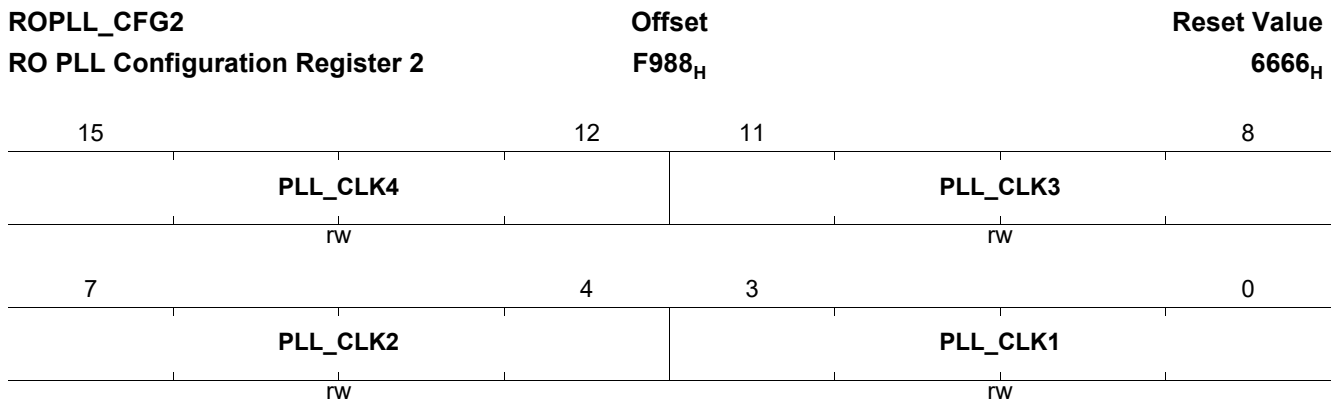
**Top Level RO PLL Configuration 1 Register**

It configures the RO PLL. This register cannot be reset by global software reset and module software reset.

ROPLL_CFG1	Offset	Reset Value	
<b>RO PLL Configuration 1 Register</b>	<b>F984<sub>H</sub></b>	<b>0000<sub>H</sub></b>	
15	14	13	8
<b>PLL_BUFOUT</b>	<b>PLL_BP</b>		<b>PLL_K</b>
rw	rw		rw
7			0
		<b>PLL_K</b>	
		rw	

Field	Bits	Type	Description
PLL_BUFOUT	15	rw	<b>PLL CML input buffer</b> PLL CML input buffered output enable. Disabled by default, this enable the CML clock buffer for CLKREF and supports buffered clock cascade on chip 0 <sub>B</sub> <b>DSIABLE</b> Disable CML input buffered output disabled 1 <sub>B</sub> <b>ENABLE</b> Enable CML input buffered output enabled
PLL_BP	14	rw	<b>PLL Bypass</b> PLL bypass enable. 0 <sub>B</sub> <b>DISABLE</b> Disable PLL is enabled (default). 1 <sub>B</sub> <b>ENABLE</b> Enable PLL is bypassed.
PLL_K	13:0	rw	<b>PLL0 Fractional K Divider 20 to 7</b> PLL fractional K divider configuration.

Top Level RO PLL Configuration 2 Register



Field	Bits	Type	Description
PLL_CLK4	15:12	rw	<p><b>PLL Clock Output 4</b> PLL Clock output 4 configuration.</p> <p>0000<sub>B</sub><b>GND</b> Ground output clock is disabled</p> <p>0001<sub>B</sub><b>DIV2</b> Divide by 2 of VCO 2 GHz</p> <p>0010<sub>B</sub><b>DIV3</b> Divide by 3 of VCO 2 GHz</p> <p>0011<sub>B</sub><b>DIV4</b> Divide by 4 of VCO 2 GHz</p> <p>0100<sub>B</sub><b>DIV5</b> Divide by 5 of VCO 2 GHz</p> <p>0101<sub>B</sub><b>DIV6</b> Divide by 6 of VCO 2 GHz</p> <p>0110<sub>B</sub><b>DIV8</b> Divide by 8 of VCO 2 GHz</p> <p>0111<sub>B</sub><b>DIV10</b> Divide by 10 of VCO 2 GHz</p> <p>1000<sub>B</sub><b>DIV12</b> Divide by 12 of VCO 2 GHz</p> <p>1001<sub>B</sub><b>DIV16</b> Divide by 16 of VCO 2 GHz</p> <p>1010<sub>B</sub><b>DIV20</b> Divide by 20 of VCO 2 GHz</p> <p>1011<sub>B</sub><b>DIV24</b> Divide by 24 of VCO 2 GHz</p> <p>1100<sub>B</sub><b>DIV32</b> Divide by 32 of VCO 2 GHz</p> <p>1101<sub>B</sub><b>DIV40</b> Divide by 40 of VCO 2 GHz</p> <p>1110<sub>B</sub><b>DIV48</b> Divide by 48 of VCO 2 GHz</p> <p>1111<sub>B</sub><b>DIV64</b> Divide by 64 of VCO 2 GHz</p>

<b>Field</b>	<b>Bits</b>	<b>Type</b>	<b>Description (cont'd)</b>
PLL_CLK3	11:8	rw	<b>PLL Clock Output 3</b> PLL Clock output 3 configuration. 0000 <sub>B</sub> <b>GND</b> Ground output clock is disabled 0001 <sub>B</sub> <b>DIV2</b> Divide by 2 of VCO 2 GHz 0010 <sub>B</sub> <b>DIV3</b> Divide by 3 of VCO 2 GHz 0011 <sub>B</sub> <b>DIV4</b> Divide by 4 of VCO 2 GHz 0100 <sub>B</sub> <b>DIV5</b> Divide by 5 of VCO 2 GHz 0101 <sub>B</sub> <b>DIV6</b> Divide by 6 of VCO 2 GHz 0110 <sub>B</sub> <b>DIV8</b> Divide by 8 of VCO 2 GHz 0111 <sub>B</sub> <b>DIV10</b> Divide by 10 of VCO 2 GHz 1000 <sub>B</sub> <b>DIV12</b> Divide by 12 of VCO 2 GHz 1001 <sub>B</sub> <b>DIV16</b> Divide by 16 of VCO 2 GHz 1010 <sub>B</sub> <b>DIV20</b> Divide by 20 of VCO 2 GHz 1011 <sub>B</sub> <b>DIV24</b> Divide by 24 of VCO 2 GHz 1100 <sub>B</sub> <b>DIV32</b> Divide by 32 of VCO 2 GHz 1101 <sub>B</sub> <b>DIV40</b> Divide by 40 of VCO 2 GHz 1110 <sub>B</sub> <b>DIV48</b> Divide by 48 of VCO 2 GHz 1111 <sub>B</sub> <b>DIV64</b> Divide by 64 of VCO 2 GHz
PLL_CLK2	7:4	rw	<b>PLL Clock Output 2</b> PLL Clock output 2 configuration. 0000 <sub>B</sub> <b>GND</b> Ground output clock is disabled 0001 <sub>B</sub> <b>DIV2</b> Divide by 2 of VCO 2 GHz 0010 <sub>B</sub> <b>DIV3</b> Divide by 3 of VCO 2 GHz 0011 <sub>B</sub> <b>DIV4</b> Divide by 4 of VCO 2 GHz 0100 <sub>B</sub> <b>DIV5</b> Divide by 5 of VCO 2 GHz 0101 <sub>B</sub> <b>DIV6</b> Divide by 6 of VCO 2 GHz 0110 <sub>B</sub> <b>DIV8</b> Divide by 8 of VCO 2 GHz 0111 <sub>B</sub> <b>DIV10</b> Divide by 10 of VCO 2 GHz 1000 <sub>B</sub> <b>DIV12</b> Divide by 12 of VCO 2 GHz 1001 <sub>B</sub> <b>DIV16</b> Divide by 16 of VCO 2 GHz 1010 <sub>B</sub> <b>DIV20</b> Divide by 20 of VCO 2 GHz 1011 <sub>B</sub> <b>DIV24</b> Divide by 24 of VCO 2 GHz 1100 <sub>B</sub> <b>DIV32</b> Divide by 32 of VCO 2 GHz 1101 <sub>B</sub> <b>DIV40</b> Divide by 40 of VCO 2 GHz 1110 <sub>B</sub> <b>DIV48</b> Divide by 48 of VCO 2 GHz 1111 <sub>B</sub> <b>DIV64</b> Divide by 64 of VCO 2 GHz

<b>Field</b>	<b>Bits</b>	<b>Type</b>	<b>Description (cont'd)</b>
PLL_CLK1	3:0	rw	<b>PLL Clock Output 1</b> PLL Clock output 1 configuration. 0000 <sub>B</sub> <b>GND</b> Ground output clock is disabled 0001 <sub>B</sub> <b>DIV2</b> Divide by 2 of VCO 2 GHz 1000 MHz 0010 <sub>B</sub> <b>DIV3</b> Divide by 3 of VCO 2 GHz 666.66 MHz 0011 <sub>B</sub> <b>DIV4</b> Divide by 4 of VCO 2 GHz 500 MHz 0100 <sub>B</sub> <b>DIV5</b> Divide by 5 of VCO 2 GHz 400 MHz 0101 <sub>B</sub> <b>DIV6</b> Divide by 6 of VCO 2 GHz 333.33 MHz 0110 <sub>B</sub> <b>DIV8</b> Divide by 8 of VCO 2 GHz 250 MHz 0111 <sub>B</sub> <b>DIV10</b> Divide by 10 of VCO 2 GHz 200 MHz 1000 <sub>B</sub> <b>DIV12</b> Divide by 12 of VCO 2 GHz 166.66 MHz 1001 <sub>B</sub> <b>DIV16</b> Divide by 16 of VCO 2 GHz 125 MHz 1010 <sub>B</sub> <b>DIV20</b> Divide by 20 of VCO 2 GHz 100 MHz 1011 <sub>B</sub> <b>DIV24</b> Divide by 24 of VCO 2 GHz 83.33 MHz 1100 <sub>B</sub> <b>DIV32</b> Divide by 32 of VCO 2 GHz 62.5 MHz 1101 <sub>B</sub> <b>DIV40</b> Divide by 40 of VCO 2 GHz 50 MHz 1110 <sub>B</sub> <b>DIV48</b> Divide by 48 of VCO 2 GHz 41.67 MHz 1111 <sub>B</sub> <b>DIV64</b> Divide by 64 of VCO 2 GHz 31.25 MHz

**Top Level RO PLL Configuration 3 Register**

ROPLL_CFG3		Offset		Reset Value			
RO PLL Configuration Register 3		F98C <sub>H</sub>		0178 <sub>H</sub>			
15	14	13	12	9	8		
PLL_BW		Res	PLL_INVCLK		PLL_SSC		
rw			rw		rw		
7	6	5	4	3	2	1	0
PLL_N_MODE	PLL_OPD5	PLL_OPD4	PLL_OPD3	PLL_OPD2	PLL_OPD1	PLL_CLK5	
rw	rw	rw	rw	rw	rw	rw	

Field	Bits	Type	Description
PLL_BW	15:14	rw	<b>PLL Bandwidth Select</b> PLL Bandwidth configuration.
PLL_INVCLK	12:9	rw	<b>PLL Invert Clock Enable</b> When '1' select the respective CLK1, CLK2, CLK3, CLK4 output buffer to be inverted as the output. 0 <sub>B</sub> <b>DIS</b> Inverter not enabled. 1 <sub>B</sub> <b>EN</b> Inverter enabled
PLL_SSC	8	rw	<b>PLL Spread Spectrum Mode</b> Configures the PLL N mode. 0 <sub>B</sub> <b>ENABLE</b> Enable Fractional input and SSC code is used. 1 <sub>B</sub> <b>DISABLE</b> Disable Ignores fractional and SS code
PLL_N_MODE	7	rw	<b>Integer N Mode Enable</b> Integer-N Mode. When high, it ignores the fractional code and SSC code. 0 <sub>B</sub> <b>FRAC</b> Fractional Mode with SSC 1 <sub>B</sub> <b>INT</b> Integer-N Mode only
PLL_OPD5	6	rw	<b>PLL CLK5 Output Buffer Power Down</b> Output Clock buffer power down for CLK5 0 <sub>B</sub> <b>NORMAL</b> Buffer is active 1 <sub>B</sub> <b>PD</b> Buffer is power down
PLL_OPD4	5	rw	<b>PLL CLK4 Output Buffer Power Down</b> Output Clock buffer power down for CLK4 0 <sub>B</sub> <b>NORMAL</b> Buffer is active 1 <sub>B</sub> <b>PD</b> Buffer is power down
PLL_OPD3	4	rw	<b>PLL CLK3 Output Buffer Power Down</b> Output Clock buffer power down for CLK3 0 <sub>B</sub> <b>NORMAL</b> Buffer is active 1 <sub>B</sub> <b>PD</b> Buffer is power down



Field	Bits	Type	Description (cont'd)
PLL_OPD2	3	rw	<b>PLL CLK2 Output Buffer Power Down</b> Output Clock buffer power down for CLK2 0 <sub>B</sub> <b>NORMAL</b> Buffer is active 1 <sub>B</sub> <b>PD</b> Buffer is power down
PLL_OPD1	2	rw	<b>PLL CLK1 Output Buffer Power Down</b> Output Clock buffer power down for CLK1 0 <sub>B</sub> <b>NORMAL</b> Buffer is active 1 <sub>B</sub> <b>PD</b> Buffer is power down
PLL_CLK5	1:0	rw	<b>PLL CML CLK5 Output Buffer Frequency Selection</b> PLL CLK5 CML output freq select 00 <sub>B</sub> <b>DIV4</b> VCO Clock divide by 4 01 <sub>B</sub> <b>DIV6</b> VCO Clock divide by 6 10 <sub>B</sub> <b>DIV8</b> VCO Clock divide by 8 11 <sub>B</sub> <b>DIV12</b> VCO Clock divide by 12

**Top Level RO PLL Miscellaneous Control Register**

Not specified.

ROPLL_MISC		Offset		Reset Value			
RO PLL Miscellaneous Control Register		F990 <sub>H</sub>		0022 <sub>H</sub>			
15	14	13	12	11	10	9	8
<b>PSOVR</b>	<b>UNLCK</b>	<b>FORCE</b>	<b>VEXT</b>	<b>EXTREF</b>	<b>LCKOVR</b>	<b>IPOK</b>	<b>IOPFSEL</b>
rw	ihsc	rwh	rw	rw	rw	rw	rw
7	6	5	4	3	2	0	
<b>INKSEL</b>	<b>FPUP</b>	<b>CLKSEL</b>		<b>MODE</b>	<b>MPROG</b>		
rw	rw	rw	rw	rw	rw		

Field	Bits	Type	Description
PSOVR	15	rw	<b>Pin-Strap Overwrite</b> When PSOVR='1' we can choose to overwrite the pin-strapped values (MODE, CLKSEL[1:0], INKSEL) with the content of this register.
UNLCK	14	ihsc	<b>Sticky Bit for Unlock Status</b> This is a sticky bit status to detect whether the PLL was ever unlock and then relock again. Write 1 to clear.
FORCE	13	rwh	<b>Force Latching of Shadow Registers</b> By default, all changes in the PDI registers must not take effect until the next SRSTN. For debug purpose, this bit = '1' enable the user to force the latching without using the SRSTN. The changes can take immediate effect. This bit has a self-clearing behaviour to be implemented behind the rwh register type

Field	Bits	Type	Description
VEXT	12	rw	<b>PLL Output Buffer Power Supply</b> PLL output buffer supply select signal - Selects between external 1.1 V supply, or internal Regulator supply to drive the output buffers. <b>Constants</b> 0 <sub>B</sub> <b>INT</b> Use Internally generated 1.1 V supply 1 <sub>B</sub> <b>EXT</b> Use Externally generated 1.1 V supply
EXTREF	11	rw	<b>Select External Reference Current</b> Select whether we use external Reference Current or the internally generated one. 0 <sub>B</sub> <b>INT</b> Use Internally generated REFERENCE BIASING current 1 <sub>B</sub> <b>EXT</b> Use Externally generated REFERENCE BIASING current
LCKOVR	10	rw	<b>PLL Lock Overwrite</b> When set to '1' force the ROPLL to assert lock state regardless of the lock detection status.
IPOK	9	rw	<b>Internal POK Override</b> Internal POK Override. This is for debug purpose and force the internal check of Power OK for 1V1 internal LDO power supply generation 0 <sub>B</sub> <b>ENABLE</b> Internal check for Power OK state of the LDO 1 <sub>B</sub> <b>OVR</b> Internal Power OK module disabled
IOPFSEL	8	rw	<b>PLL Internal Digital Allocates Default Output Frequencies</b> Selects if PLL internal digital allocates the default output frequencies. When high, the ropll_op_freq_sel_clk1-4 pins are ignored. <b>Constants</b> 0 <sub>B</sub> <b>EXT</b> PDI selected output frequencies are used for CLK1-CLK4 1 <sub>B</sub> <b>INT</b> Internal LUT used for the CLK1-CLK4 frequency selection
INKSEL	7	rw	<b>PLL Internal Mapped N,K or Based on PLL_CFG0/1 N,K</b> Selects the values of divider (int, frac) from the internal table lookup. When high, ignores the values of PLL_CFG1.K, PLL_CFG0.K, PLL_CFG1.N bits. Effective only when PSOVR=1. Otherwise according to pin-strap PS_XTAL.
FPUP	6	rw	<b>Force Power Up of All Divider Chains</b> Force Power up of all Divider chains. For debug purpose only 0 <sub>B</sub> <b>NORMAL</b> Power up the divider chains according to mode select LUT 1 <sub>B</sub> <b>FORCE</b> All divider chain output are forced to power up
CLKSEL	5:4	rw	<b>PLL Input Clock Select</b> PLL input clock select - 25/36/125/40 MHz. Effective only when PSOVR=1. Otherwise according to pin-strap PS_XTAL. 00 <sub>B</sub> <b>XTAL36</b> RefCLK is 36 MHz 01 <sub>B</sub> <b>XTAL40</b> RefCLK is 40 MHz 10 <sub>B</sub> <b>XTAL25</b> RefCLK is 25 MHz 11 <sub>B</sub> <b>XTAL125</b> RefCLK is 125 MHz
MODE	3	rw	<b>Selects CML/CMOS input Clock</b> PLL input mode select - CML/CMOS. Effective only when PSOVR=1. Otherwise always '0'. 0 <sub>B</sub> <b>CML</b> CML differential input clock selected 1 <sub>B</sub> <b>CMOS</b> CMOS differential input clock selected

Field	Bits	Type	Description
MPROG	2:0	rw	<b>PLL Mode Selection</b> PLL mode selection. 000 <sub>B</sub> <b>TM</b> Test Mode 001 <sub>B</sub> <b>PLL0A</b> GRX application, PLL0A mode 010 <sub>B</sub> <b>PLL0B</b> GRX application, PLL0B mode 011 <sub>B</sub> <b>PLL1</b> GRX application, PLL1 mode 100 <sub>B</sub> <b>GPHY</b> GPHY ROPLL mode 101 <sub>B</sub> <b>WLAN</b> WAVE application mode

**GPC0 Configuration Register**

It configures general purpose clock 0.

GPC0_CONF	Offset	Reset Value
GPC0 Configuration Register	F948 <sub>H</sub>	0007 <sub>H</sub>
15		8
Res		
7	3	2
		0
Res		<b>SEL</b>
		rw

Field	Bits	Type	Description
SEL	2:0	rw	<b>GPC0 Output Clock Selection</b> This is to select output clock source. 101 <sub>B</sub> <b>UCCLK</b> 1/4 of system clock. 110 <sub>B</sub> <b>XO</b> XO output. 111 <sub>B</sub> <b>CLK250</b> The divided clock of CLK250.

**Similar Registers**

These registers are identical to the Register [GPC0\\_CONF](#) defined above.

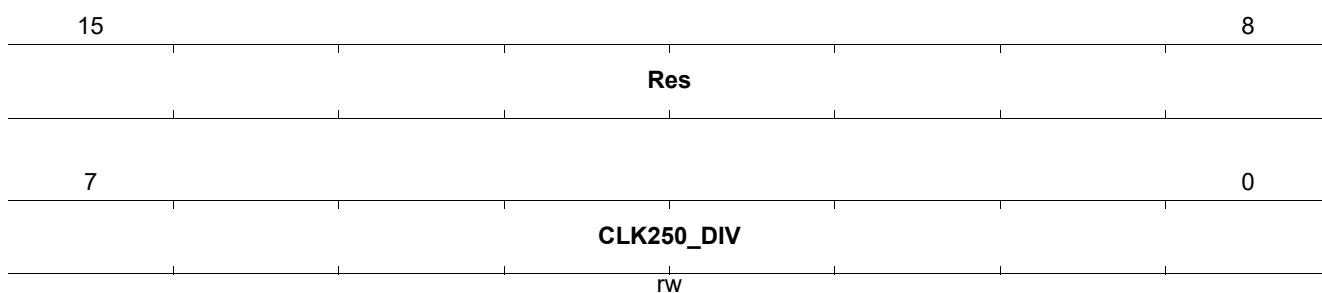
**Table 58 Similar Registers**

Register Short Name	Register Long Name	Offset Address	Page Number
GPC1_CONF	GPC1 Configuration Register	F94C <sub>H</sub>	

**SYSCLK Configuration Register**

It configures sys clock divider.

SYSCLK_CONF	Offset	Reset Value
SYCCLK Configuration Register	F950 <sub>H</sub>	0004 <sub>H</sub>



Field	Bits	Type	Description
CLK250_DIV	7:0	rw	<b>CLK250_LC Clock Divider Selection</b> When CLK250 is selected for GPC output, the CLK250 is divided before feeding to GPC. The divider is $2^{*(CLK250\_DIV+1)}$ .

**SGMII Configuration Register**

It configures SGMII PLL and macro.

<b>SGMII_CONF</b>	<b>Offset</b>	<b>Reset Value</b>
<b>SGMII Configuration Register</b>	<b>F954<sub>H</sub></b>	<b>0000<sub>H</sub></b>

15							8								
Res															
7		6		5		4		3		2		1		0	
<b>Res</b>		<b>UNLOCK</b>		<b>UNSYNC</b>		<b>SGMII_LOCK</b>		<b>SGMII_SYNC</b>		<b>Res</b>		<b>SGMII_DIS</b>			
ihsc		rh		rh		rh		rh		rw		rw			

Field	Bits	Type	Description
UNLOCK	6	ihsc	<b>SGMII PLL Unlock Sticky Bit</b> This is a sticky bit status to detect whether the PLL was ever unlock and then relock again. Write 1 to clear. 0 <sub>B</sub> <b>LOCKED</b> PLL is locked. 1 <sub>B</sub> <b>UNLOCKED</b> PLL is unlocked.
UNSYNC	5	rh	<b>SGMII PMD/PMA Ready</b> This is stick bit status to detect whether SGMII PMD/PMA is un-synced. Write 1 to clear. 0 <sub>B</sub> <b>SYNCED</b> PMD/PMA is synced. 1 <sub>B</sub> <b>UNSYNC</b> PMA/PMD is unsynced.
SGMII_LOCK	4	rh	<b>SGMII PLL Lock</b> Indicates whether the PMA/PMD receive PLL has achieved lock. This is independent of availability of valid data at RXP/RXM input. 0 <sub>B</sub> <b>UNLOCKED</b> PMA/PMD receive PLL is unlocked. 1 <sub>B</sub> <b>LOCKED</b> PMA/PMD receive PLL is locked.
SGMII_SYNC	3	rh	<b>SGMII PMD/PMA Ready</b> Indicates whether the PMA/PMD is able to successfully synch and extract binary data from the incoming differential signals in the RXP/RXM input (when present). Note: This ready status can also be extracted by reading RX_VALID bit in the SGMII_PHY_STAT internal status register. 0 <sub>B</sub> <b>NOT_RDY</b> PMA/PMD core is not able to extract data. 1 <sub>B</sub> <b>RDY</b> PMA/PMD core is able to extract data.
SGMII_DIS	0	rw	<b>SGMII Macro Disable</b> This is a high-active level sensitive signal. When activated, inhibits the all activity of the macro and the PMA/PMD core in particular.  <i>Note: The macro is not activated by its non-assertion, it still must be brought up in the proper sequence either by hardware signals or by programming.</i>  0 <sub>B</sub> <b>EN</b> SGMII Macro is enabled. 1 <sub>B</sub> <b>DIS</b> SGMII Macro is disabled.

**NCO1 LSB Configuration Register**

It configures NCO1 bit 15 to 0 for generating strobe of 125 MHz average frequency with system clock.

NCO1_LSB	Offset	Reset Value
NCO1 LSB Configuration Register	F958 <sub>H</sub>	D098 <sub>H</sub>
15		8
NCO1_LSB		
rw		
7		0
NCO1_LSB		
rw		

Field	Bits	Type	Description
NCO1_LSB	15:0	rw	<b>NCO1 LSB</b> NCO1 value must be 125 MHz/SYS_CLK_Freq* 2 <sup>24</sup> .

**NCO1 MSB Configuration Register**

It configures NCO1 bit 23 to 16 for generating strobe of 125 MHz average frequency with system clock.

NCO1_MSB	Offset	Reset Value
NCO1 MSB Configuration Register	F95C <sub>H</sub>	005E <sub>H</sub>
15		8
Res		
7		0
NCO1_MSB		
rw		

Field	Bits	Type	Description
NCO1_MSB	7:0	rw	<b>NCO1 MSB</b> NCO1 value must be 125 MHz/SYS_CLK_Freq* 2 <sup>24</sup> .

**NCO2 LSB Configuration Register**

It configures NCO1 bit 15 to 0 for generating strobe of 312.5 MHz or 250 MHz average frequency with system clock.

NCO2_LSB	Offset	Reset Value
NCO2 LSB Configuration Register	F960 <sub>H</sub>	097C <sub>H</sub>
15		8
NCO2_LSB		
rw		
7		0
NCO2_LSB		
rw		

Field	Bits	Type	Description
NCO2_LSB	15:0	rw	<b>NCO2 LSB</b> NCO2 value must be 312.5 MHz/SYS_CLK_Freq* 2 <sup>24</sup> or 250 MHz/SYS_CLK_Freq*2 <sup>24</sup> .

**NCO2 MSB Configuration Register**

It configures NCO2 bit 23 to 16 for generating strobe of 312.5 MHz or 250 MHz average frequency with system clock.

NCO2_MSB	Offset	Reset Value
NCO2 MSB Configuration Register	F964 <sub>H</sub>	00ED <sub>H</sub>
15		8
Res		
7		0
NCO2_MSB		
rw		

Field	Bits	Type	Description
NCO2_MSB	7:0	rw	<b>NCO2 MSB</b> NCO2 value must be 312.5 MHz/SYS_CLK_Freq* 2 <sup>24</sup> or 250 MHz/SYS_CLK_Freq*2 <sup>24</sup> .

**NCO Control**

This controls NCO1 and NCO2 operation

NCO_CTRL	Offset	Reset Value
NCO Control	F968 <sub>H</sub>	0000 <sub>H</sub>
15		8
Res		
7	4	0
	3	
	2	
	1	
	0	
	Res	
	SGMII_HSP	
	SGMIISEL	
	FORCE0	
	rw	rw

Field	Bits	Type	Description
SGMII_HSP	3:2	rw	<b>SGMII High Speed Selection</b> When data rate is 1Gbps, NCO1 must be selected for SGMII clock. Otherwise, NCO2 is selected for SGMII clock. 00 <sub>B</sub> <b>1Gbps</b> 1Gbps data rate or below 10 <sub>B</sub> <b>2Gbps</b> 2Gbps data rate. 11 <sub>B</sub> <b>2_5Gbps</b> 2.5Gbps data rate.
SGMIISEL	1	rw	<b>SGMII Clock NCO Selection</b> 0 <sub>B</sub> <b>NCO1</b> NCO1 output strobe is used for GMII* interface clock for the port connecting to SGMII. 1 <sub>B</sub> <b>NCO2</b> NCO2 output strobe is used for GMII* interface clock for the port connecting to SGMII.
FORCE0	0	rw	<b>Reset NCO1 and NCO2 counter to 0</b> 0 <sub>B</sub> <b>NIL</b> NCO1 and NCO2 counters run. 1 <sub>B</sub> <b>ZERO</b> NCO1 and NCO2 counter stay at 0.

se



### 4.1.9 Reset Control Unit Registers

This section describes all registers in RCU module.

#### Reset Status Register

After a reset, the read-only reset status register RST\_STAT indicates the type of reset that occurred and indicates which parts of the chip were affected by the reset.

RESET_STATUS		Offset	Reset Value
Reset Status Register		FA00 <sub>H</sub>	8000 <sub>H</sub>
15	14		8
<b>HRST</b>		<b>RECORD</b>	
rh		rw	
7			1 0
		<b>RECORD</b>	<b>INIT</b>
		rw	rw

Field	Bits	Type	Description
HRST	15	rh	<b>Hardware Reset Cause Flag</b> 0 <sub>B</sub> <b>SRST</b> The last reset is software reset. 1 <sub>B</sub> <b>HRST</b> The last reset is hardware reset.
RECORD	14:1	rw	<b>Last Reset Record</b> The value is not cleared by software reset.
INIT	0	rw	<b>Initialization Done Flag</b> The value is not cleared by software reset. 0 <sub>B</sub> <b>NO</b> Initialization is not done. 1 <sub>B</sub> <b>DONE</b> Initialization is done.

#### Reset Request Register

The Reset Request Register RST\_REQ is used to generate a software reset. Unlike the other reset types, the software reset can exclude functions from reset. A software reset is invoked by writing '1' to register RST\_REQ.

RST_REQ		Offset	Reset Value				
Reset Request Register		FA01 <sub>H</sub>	002F <sub>H</sub>				
15	14	13	12	11	10	9	8
<b>SRST</b>	<b>RD14</b>	<b>Res</b>	<b>G0RST</b>	<b>Res</b>	<b>RD10</b>	<b>RD9</b>	<b>Res</b>
rwh	rw		rwh		rw	rw	
7	6	5	4	3	2	1	0
<b>RD7</b>	<b>RD6</b>	<b>RD5</b>	<b>RD4</b>	<b>RD3</b>	<b>RD2</b>	<b>RD1</b>	<b>RD0</b>
rw	rw	rw	rw	rw	rw	rw	rw

Field	Bits	Type	Description
SRST	15	rwh	<b>Enable Global Software Reset</b> Configures the global software reset. Reset is automatically deactivated after some cycles. 0 <sub>B</sub> <b>Nil</b> Global software reset is not issued. 1 <sub>B</sub> <b>REQ</b> Global software reset is triggered.
RD14	14	rw	<b>Reset Request for Reset Domain RD14</b> Configures the reset domain 14. Software to decide the required duration. Software reset MGE module. MGE reset type 2 resets all logics excluding register file in MGE module. 0 <sub>B</sub> <b>Disabled</b> MGE software reset type 2 is disabled. 1 <sub>B</sub> <b>Enabled</b> MGE software reset type 2 is enabled.
GORST	12	rwh	<b>Enable GPHY0 Reset</b> Configures the GPHY0 reset. Reset is automatically deactivated after some cycles. 0 <sub>B</sub> <b>Nil</b> GPHY0 reset is not issued. 1 <sub>B</sub> <b>REQ</b> GPHY0 reset is triggered.
RD10	10	rw	<b>Reset Request for Reset Domain RD10</b> Configures the reset domain 10. Software to decide the required duration. Software reset GPIO module. 0 <sub>B</sub> <b>Disabled</b> GPIO software reset is disabled. 1 <sub>B</sub> <b>Enabled</b> GPIO software reset is enabled.
RD9	9	rw	<b>Reset Request for Reset Domain RD9</b> Configures the reset domain 9. Software to decide the required duration. Software reset MGE module. 0 <sub>B</sub> <b>Disabled</b> MGE software reset is disabled. 1 <sub>B</sub> <b>Enabled</b> MGE software reset is enabled.
RD7	7	rw	<b>Reset Request for Reset Domain RD7</b> Configures the reset domain 0. Software to decide the required duration. Software reset CDB. 0 <sub>B</sub> <b>Disabled</b> CDB software reset is disabled. 1 <sub>B</sub> <b>Enabled</b> CDB software reset is enabled.
RD6	6	rw	<b>Reset Request for Reset Domain RD6</b> Configures the reset domain 6. Software to decide the required duration. Software reset GPHY Shell. 0 <sub>B</sub> <b>Disabled</b> GPHY Shell software reset is disabled. 1 <sub>B</sub> <b>Enabled</b> GPHY Shell software reset is enabled.
RD5	5	rw	<b>Reset Request for Reset Domain RD5</b> Configures the reset domain 5. Software to decide the required duration. Software reset SGMII Shell. 0 <sub>B</sub> <b>Disabled</b> SGMII Shell reset is disabled. 1 <sub>B</sub> <b>Enabled</b> SGMII Shell reset is enabled.
RD4	4	rw	<b>Reset Request for Reset Domain RD4</b> Configures the reset domain 4. Software to decide the required duration. 0 <sub>B</sub> <b>Disabled</b> Boot loader reset is disabled. 1 <sub>B</sub> <b>Enabled</b> Boot loader reset is enabled.

**Registers**

Field	Bits	Type	Description
RD3	3	rw	<b>Reset Request for Reset Domain RD3</b> Configures the reset domain 3. Software to decide the required duration. Software reset GPHY3 Macro. 0 <sub>B</sub> <b>Disabled</b> GPHY3 Macro software reset is disabled. 1 <sub>B</sub> <b>Enabled</b> GPHY3 Macro software reset is enabled.
RD2	2	rw	<b>Reset Request for Reset Domain RD2</b> Configures the reset domain 2. Software to decide the required duration. Software reset GPHY2 Macro. 0 <sub>B</sub> <b>Disabled</b> GPHY2 Macro software reset is disabled. 1 <sub>B</sub> <b>Enabled</b> GPHY2 Macro software reset is enabled.
RD1	1	rw	<b>Reset Request for Reset Domain RD1</b> Configures the reset domain 1. Software to decide the required duration. Software reset GPHY1 Macro. 0 <sub>B</sub> <b>Disabled</b> GPHY1 Macro software reset is disabled. 1 <sub>B</sub> <b>Enabled</b> GPHY1 Macro software reset is enabled.
RD0	0	rw	<b>Reset Request for Reset Domain RD0</b> Configures the reset domain 0. Software to decide the required duration. Software reset GPHY0 Macro. 0 <sub>B</sub> <b>Disabled</b> GPHY0 Macro software reset is disabled. 1 <sub>B</sub> <b>Enabled</b> GPHY0 Macro software reset is enabled.

**MANU ID Register**

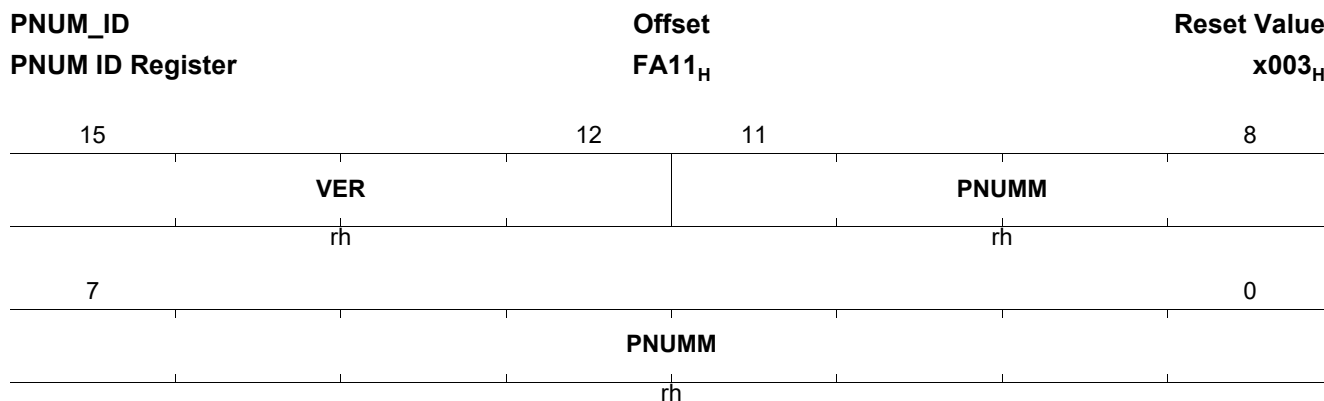
This shows Manufacturer ID and part number.

MANU_ID	Offset	Reset Value
<b>MANU ID Register</b>	<b>FA10<sub>H</sub></b>	<b>1713<sub>H</sub></b>
15	12	11
<b>PNUML</b>		<b>MANID</b>
rh		rh
7		1
<b>MANID</b>		<b>FIX1</b>
rh		rh

Field	Bits	Type	Description
PNUML	15:12	rh	<b>Part Number LSB</b> Part Number LSB
MANID	11:1	rh	<b>Manufacturer ID</b> Manufacturer ID, it must be 389 <sub>H</sub>
FIX1	0	rh	<b>Fixed to 1</b> Fixed to 1.

**Part Number Register**

This shows part number and chip version.



Field	Bits	Type	Description
VER	15:12	rh	<b>Chip Version</b> Chip Version ID 0001 <sub>B</sub> <b>V1.1</b> Chip version ID register value is '1' for V1.1. 0010 <sub>B</sub> <b>V1.2</b> Chip version ID register value is '2' for V1.2. 0011 <sub>B</sub> <b>V1.3</b> Chip version ID register value is '3' for V1.3.
PNUMM	11:0	rh	<b>Part Number MSB</b> Part Number, Fixed to 003 <sub>H</sub>

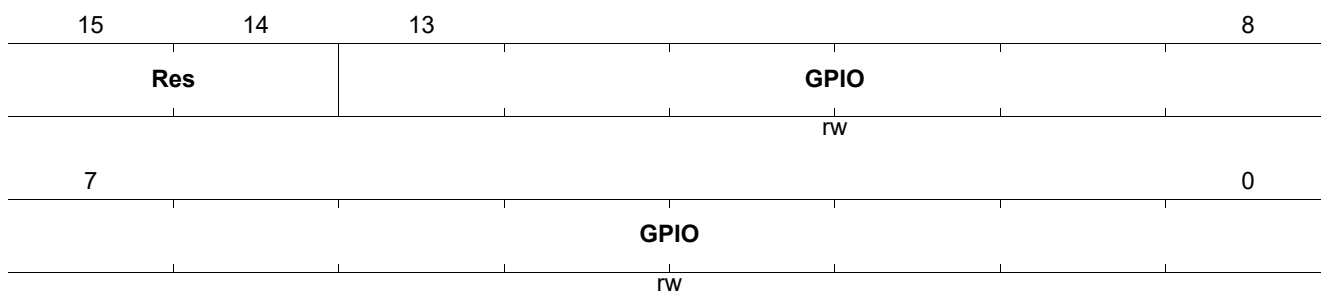
se

ese

**GPIO PAD Driver Strength Control 0 Register**

This configures PAD driver strength control.

<b>GPIO_DRIVE0_CFG</b>	<b>Offset</b>	<b>Reset Value</b>
<b>GPIO PAD Driver Strength 0 Control Register</b>	<b>FA70<sub>H</sub></b>	<b>3FFF<sub>H</sub></b>

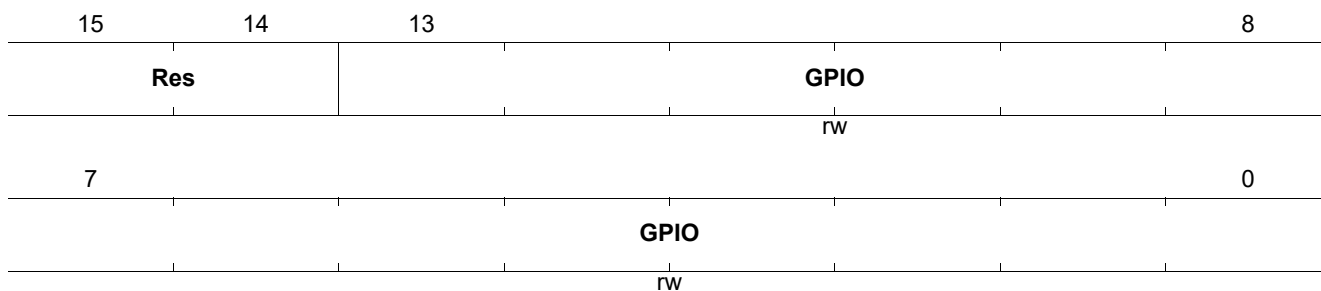


Field	Bits	Type	Description
GPIO	13:0	rw	<b>GPIO PAD Drive Strength Bit 0</b> PAD driver strength. 00 <sub>B</sub> <b>2mA</b> PAD drive strength is 2 mA. 01 <sub>B</sub> <b>4mA</b> PAD drive strength is 4 mA. 10 <sub>B</sub> <b>8mA</b> PAD drive strength is 8 mA. 11 <sub>B</sub> <b>12mA</b> PAD drive strength is 12 mA.

**GPIO PAD Driver Strength Control 1 Register**

This configures PAD driver strength control.

<b>GPIO_DRIVE1_CFG</b>	<b>Offset</b>	<b>Reset Value</b>
<b>GPIO PAD Driver Strength 1 Control Register</b>	<b>FA71<sub>H</sub></b>	<b>0000<sub>H</sub></b>



Field	Bits	Type	Description
GPIO	13:0	rw	<b>GPIO PAD Drive Strength Bit 1</b> PAD driver strength. 00 <sub>B</sub> <b>2mA</b> PAD drive strength is 2 mA. 01 <sub>B</sub> <b>4mA</b> PAD drive strength is 4 mA. 10 <sub>B</sub> <b>8mA</b> PAD drive strength is 8 mA. 11 <sub>B</sub> <b>12mA</b> PAD drive strength is 12 mA.



Field	Bits	Type	Description
GPIO2	14:0	rw	<b>GPIO2 PAD Drive Strength Bit 0</b> PAD driver strength. 00 <sub>B</sub> <b>2mA</b> PAD drive strength is 2 mA. 01 <sub>B</sub> <b>4mA</b> PAD drive strength is 4 mA. 10 <sub>B</sub> <b>8mA</b> PAD drive strength is 8 mA. 11 <sub>B</sub> <b>12mA</b> PAD drive strength is 12 mA.

**GPIO2 PAD Driver Strength Control 1 Register**

This configures PAD driver strength control.

GPIO2_DRIVE1_CFG	Offset	Reset Value
GPIO2 PAD Driver Strength 1 Control Register	FA75 <sub>H</sub>	0000 <sub>H</sub>
15	14	8
Res	GPIO2	
	rw	
7		0
	GPIO2	
	rw	

Field	Bits	Type	Description
GPIO2	14:0	rw	<b>GPIO2 PAD Drive Strength Bit 1</b> PAD driver strength. 00 <sub>B</sub> <b>2mA</b> PAD drive strength is 2 mA. 01 <sub>B</sub> <b>4mA</b> PAD drive strength is 4 mA. 10 <sub>B</sub> <b>8mA</b> PAD drive strength is 8 mA. 11 <sub>B</sub> <b>12mA</b> PAD drive strength is 12 mA.

**GPIO2 PAD Slew Control Register**

This configures GPIO2 PAD Slew control.

<b>GPIO2_SLEW_CFG</b>	<b>Offset</b>	<b>Reset Value</b>
<b>GPIO2 Slew Control Register</b>	<b>FA76<sub>H</sub></b>	<b>0000<sub>H</sub></b>

15	14						8
<b>PAD_VOL</b>	<b>GPIO2</b>						
rw	rw						
7							0
<b>GPIO2</b>							
rw							

Field	Bits	Type	Description
PAD_VOL	15	rw	<b>GPIO2 PAD Voltage Supply Level</b> PAD Slew rate. 0 <sub>B</sub> <b>HIGH</b> GPIO group 2 PAD Voltage supply level is 3.3 V or 2.5 V. 1 <sub>B</sub> <b>LOW</b> GPIO group 2 PAD Voltage supply level is 1.8 V.
GPIO2	14:0	rw	<b>GPIO PAD Slew Control</b> PAD slew control. 0 <sub>B</sub> <b>Slow</b> Slow Slew. 1 <sub>B</sub> <b>Fast</b> Fast Slew.

**RGMII PAD Slew Control Register**

This configures PAD driver strength control.

<b>RGMII_SLEW_CFG</b>	<b>Offset</b>	<b>Reset Value</b>
<b>RGMII PAD Slew Control Register</b>	<b>FA78<sub>H</sub></b>	<b>0000<sub>H</sub></b>

15		12	11	10	9	8	
<b>Res</b>			<b>PAD_TX_PU</b>	<b>PAD_TX_PD</b>	<b>PAD_RX_PU</b>	<b>PAD_RX_PD</b>	
			rw	rw	rw	rw	
7	6	5	4	3	2	1	
<b>Res</b>		<b>PAD_VOL_TX</b>	<b>PAD_VOL_RX</b>	<b>DRV_TXD</b>	<b>DRV_TXC</b>	<b>DRV_RXD</b>	<b>DRV_RXC</b>
		rw	rw	rw	rw	rw	rw

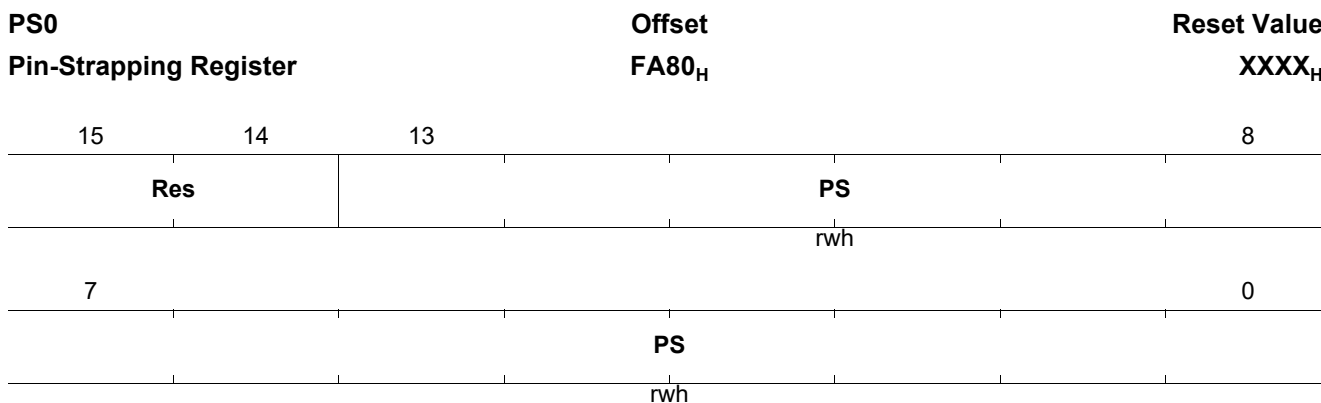
Field	Bits	Type	Description
PAD_TX_PU	11	rw	<b>RGMII TX PAD Pull Up</b> Control TX PAD (Including Clock, Data and Control) Pull Up 0 <sub>B</sub> <b>DIS</b> RGMII TX PAD pull up is disabled. 1 <sub>B</sub> <b>EN</b> RGMII TX PAD pull up is enabled.



Field	Bits	Type	Description
PAD_TX_PD	10	rw	<b>RGMII TX PAD Pull Down</b> Control TX PAD (Including Clock, Data and Control) Pull Down 0 <sub>B</sub> <b>DIS</b> RGMII TX PAD pull down is disabled. 1 <sub>B</sub> <b>EN</b> RGMII TX PAD pull down is enabled.
PAD_RX_PU	9	rw	<b>RGMII RX PAD Pull Up</b> Control RX PAD (Including Clock, Data and Control) Pull Up 0 <sub>B</sub> <b>DIS</b> RGMII RX PAD pull up is disabled. 1 <sub>B</sub> <b>EN</b> RGMII RX PAD pull up is enabled.
PAD_RX_PD	8	rw	<b>RGMII RX PAD Pull Down</b> Control RX PAD (Including Clock, Data and Control) Pull Down 0 <sub>B</sub> <b>DIS</b> RGMII RX PAD pull down is disabled. 1 <sub>B</sub> <b>EN</b> RGMII RX PAD pull down is enabled.
PAD_VOL_TX	5	rw	<b>RGMII TX PAD Voltage Supply Level</b> TX PAD Voltage Supply 0 <sub>B</sub> <b>3.3V</b> RGMII PAD Voltage supply level is 3.3 V. 1 <sub>B</sub> <b>2.5V</b> RGMII PAD Voltage supply level is 2.5 V.
PAD_VOL_RX	4	rw	<b>RGMII RX PAD Voltage Supply Level</b> RX PAD Voltage Supply 0 <sub>B</sub> <b>3.3V</b> RGMII PAD Voltage supply level is 3.3 V. 1 <sub>B</sub> <b>2.5V</b> RGMII PAD Voltage supply level is 2.5 V.
DRV_TXD	3	rw	<b>RGMII TX Non-Clock PAD Slew Rate</b> PAD Slew rate. 0 <sub>B</sub> <b>Normal</b> Normal Slew Rate. 1 <sub>B</sub> <b>Slow</b> Slow Slew Rate.
DRV_TXC	2	rw	<b>RGMII TX Clock Slew Rate</b> PAD Slew rate. 0 <sub>B</sub> <b>Normal</b> Normal Slew Rate. 1 <sub>B</sub> <b>Slow</b> Slow Slew Rate.
DRV_RXD	1	rw	<b>RGMII RX Non-Clock PAD Slew Rate</b> PAD Slew rate. 0 <sub>B</sub> <b>Normal</b> Normal Slew Rate. 1 <sub>B</sub> <b>Slow</b> Slow Slew Rate.
DRV_RXC	0	rw	<b>RGMII RX Clock Slew Rate</b> PAD driver strength. 0 <sub>B</sub> <b>Normal</b> Normal Slew Rate. 1 <sub>B</sub> <b>Slow</b> Slow Slew Rate.

**Pin-Strapping Register 0**

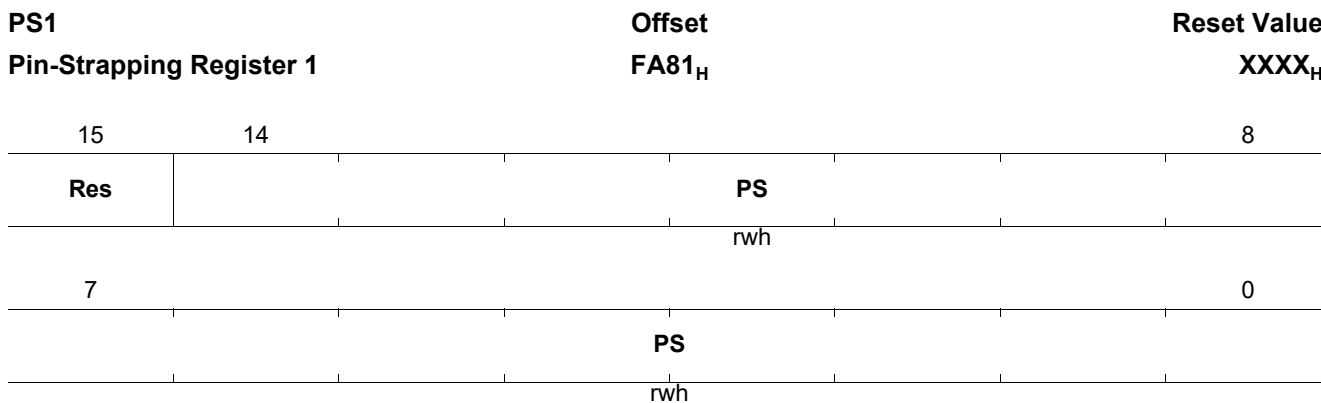
The configuration input pin(s) are sampled and latched at the rising edge of Hardware Reset input. This register cannot be reset by global software reset and module software reset.



Field	Bits	Type	Description
PS	13:0	rwh	Pin-Strapping of GPIO0 to GPIO13

**Pin-Strapping Register 1**

The configuration input pin(s) are sampled and latched at the rising edge of Hardware Reset input. This register cannot be reset by global software reset and module software reset.



Field	Bits	Type	Description
PS	14:0	rwh	Pin-Strapping of GPIO16 to GPIO30

se

### 4.1.10 GPIO Registers

The individual control and data bits of each digital parallel port are implemented in a number of registers. Bits with the same meaning and function are assembled together in the same register. Each parallel port consists of a set of registers. The registers are used to configure and use the port as general purpose I/O or alternate function input/output.

#### GPIO Data Output Register

When a pin is used as general purpose output (GPIO), output data is written into register GPIO\_OUT.

GPIO_OUT	Offset	Reset Value
GPIO Data Output Register	F380 <sub>H</sub>	0000 <sub>H</sub>

15	14	13	0
Res	GPIO		
	rw		

Field	Bits	Type	Description
GPIO	13:0	rw	<b>GPIO Output Value</b> 0 <sub>B</sub> <b>LOW</b> Output value = 0 <i>Note: Default value after reset</i> 1 <sub>B</sub> <b>HIGH</b> Output value = 1

#### GPIO Data Input Register

The value at a pin can be read through the read-only register GPIO\_IN. The data input register GPIO\_IN always contains a latched value of the assigned pin.

GPIO_IN	Offset	Reset Value
GPIO Data Input Register	F381 <sub>H</sub>	0000 <sub>H</sub>

15	14	13	0
Res	GPIO		
	rh		

Field	Bits	Type	Description
GPIO	13:0	rh	<b>GPIO Input Value</b> 0 <sub>B</sub> <b>LOW</b> Input value = 0 1 <sub>B</sub> <b>HIGH</b> Output value = 1

**GPIO Direction Register**

The direction of port pins can be controlled in the following ways:

- Controlled by Px\_DIR register when used for GPIO and controlled by the peripheral when used for alternate function.
- Controlled by Px\_DIR register when used as GPIO and fixed direction when used for alternate function.

When the port direction is controlled by the respective direction register Px\_DIR, the following encoding is defined.

GPIO_DIR	Offset	Reset Value
GPIO Direction Register	F382 <sub>H</sub>	0000 <sub>H</sub>
15 14 13		0
Res	GPIO	
	rw	

Field	Bits	Type	Description
GPIO	13:0	rw	<b>GPIO Direction Control</b> 0 <sub>B</sub> <b>Input</b> GPIO is in input mode <i>Note: Default value after reset</i> 1 <sub>B</sub> <b>Output</b> GPIO is in output mode

**GPIO Alternate Function Select Register 0**

Alternate functions are selected via an output multiplexer which can select up to four output lines. This multiplexer can be controlled by the signals of Register [GPIO\\_ALTSELO](#) and 1.

Selection of alternate functions are defined in registers [GPIO\\_ALTSELO](#) and 1.

GPIO_ALTSELO	Offset	Reset Value
Port 0 Alternate Function Select Register 0	F383 <sub>H</sub>	0000 <sub>H</sub>
15 14 13		0
Res	GPIO	
	rw	

Field	Bits	Type	Description
GPIO	13:0	rw	<b>GPIO Alternate Function Selection LSB</b> GPIO Alternate Function Selection LSB

**GPIO Alternate Function Select Register 1**

Alternate functions are selected via an output multiplexer which can select up to four output lines. This multiplexer can be controlled by the signals of Register **GPIO\_ALTSELO** and 1.

Selection of alternate functions are defined in registers **GPIO\_ALTSELO** and 1.

<b>GPIO_ALTSEL1</b>		<b>Offset</b>	<b>Reset Value</b>
<b>Port 0 Alternate Function Select Register 1</b>		<b>F384<sub>H</sub></b>	<b>003C<sub>H</sub></b>
15	14	13	0
Res		GPIO	
rw			

Field	Bits	Type	Description
GPIO	13:0	rw	<b>GPIO Alternate Function Selection MSB</b> GPIO Alternate Function Selection MSB

**GPIO Open Drain Control Register**

Each pin in output mode can be switched to Open Drain Mode. When driven with 1, no driver is activated; when driven with 0, the pull-down transistor is activated.

<b>GPIO_OD</b>		<b>Offset</b>	<b>Reset Value</b>
<b>GPIO Open Drain Control Register</b>		<b>F385<sub>H</sub></b>	<b>3FFF<sub>H</sub></b>
15	14	13	0
Res		GPIO	
rw			

Field	Bits	Type	Description
GPIO	13:0	rw	<b>GPIO Open Drain Mode</b> 0 <sub>B</sub> <b>OD</b> Open Drain Mode, output is actively driven only for 0 state. 1 <sub>B</sub> <b>PP</b> Normal Mode, output is actively driven for 0 and 1 state.

**Port 0 Pull-Up/Pull-Down Select Register**

Internal pull-up/pull-down devices can be optionally applied to pin. This offers the possibility to configure the following input characteristics:

- Tristate
- High-impedance with a weak pull-up device
- High-impedance with a weak pull-down device

And the following output characteristics:

- Push/pull (optional pull-up/pull-down)
- Open drain with internal pull-up
- Open drain with external pull-up

The pull-up/pull-down device can be fixed or controlled via the registers **GPIO\_PUDEN**. Register **GPIO\_PUDSEL** selects the type of pull-up/pull-down device, while register **GPIO\_PUDEN** enables or disables it. The pull-up/pull-down device can be selected pin-wise. The pull-up/pull-down devices are predefined for some pins after reset.

*Note: The selected pull-up/pull-down device is enabled by setting the respective bit in the Px\_PUDEN register.*

<b>GPIO_PUDSEL</b>		<b>Offset</b>	<b>Reset Value</b>
<b>GPIO Pull-Up/Pull-Down Select Register</b>		<b>F386<sub>H</sub></b>	<b>3FFF<sub>H</sub></b>
15	14	13	0
<b>Res</b>	<b>GPIO</b>		
	rw		

<b>Field</b>	<b>Bits</b>	<b>Type</b>	<b>Description</b>
GPIO	13:0	rw	<b>GPIO Pull Up/Down Mode</b> 0 <sub>B</sub> <b>PD</b> Internal weak pull down is enabled. 1 <sub>B</sub> <b>PU</b> Internal weak pull up is enabled.

#### GPIO Pull-Up/Pull-Down Enable Register

See the previous register description.

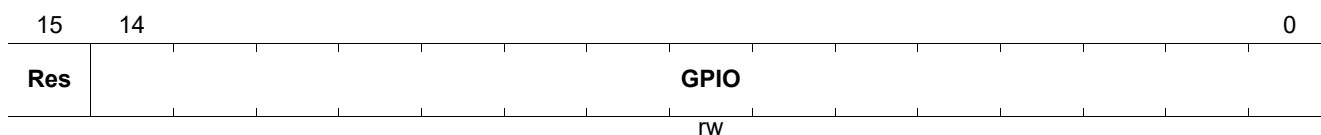
<b>GPIO_PUDEN</b>		<b>Offset</b>	<b>Reset Value</b>
<b>GPIO Pull-Up/Pull-Down Enable Register</b>		<b>F387<sub>H</sub></b>	<b>3FFF<sub>H</sub></b>
15	14	13	0
<b>Res</b>	<b>GPIO</b>		
	rw		

<b>Field</b>	<b>Bits</b>	<b>Type</b>	<b>Description</b>
GPIO	13:0	rw	<b>GPIO Pull Up/Down Enable</b> 0 <sub>B</sub> <b>Disable</b> Internal weak pull up/down is disabled. 1 <sub>B</sub> <b>Enable</b> Internal weak pull up/down is enabled.

**GPIO2 Data Output Register**

When a pin is used as general purpose output (GPIO), output data is written into register GPIO\_OUT.

<b>GPIO2_OUT</b>	<b>Offset</b>	<b>Reset Value</b>
<b>GPIO2 Data Output Register</b>	<b>F390<sub>H</sub></b>	<b>0000<sub>H</sub></b>

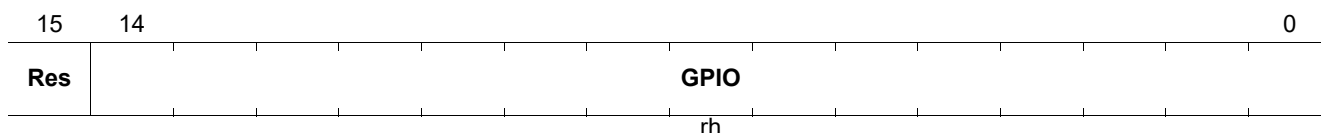


Field	Bits	Type	Description
GPIO	14:0	rw	<b>GPIO Output Value</b> 0 <sub>B</sub> <b>LOW</b> Output value = 0 <i>Note: Default value after reset</i> 1 <sub>B</sub> <b>HIGH</b> Output value = 1

**GPIO2 Data Input Register**

The value at a pin can be read through the read-only register GPIO\_IN. The data input register GPIO\_IN always contains a latched value of the assigned pin.

<b>GPIO2_IN</b>	<b>Offset</b>	<b>Reset Value</b>
<b>GPIO2 Data Input Register</b>	<b>F391<sub>H</sub></b>	<b>0000<sub>H</sub></b>



Field	Bits	Type	Description
GPIO	14:0	rh	<b>GPIO Input Value</b> 0 <sub>B</sub> <b>LOW</b> Input value = 0 1 <sub>B</sub> <b>HIGH</b> Output value = 1









### 4.1.11 ICU Registers

#### IM0 Interrupt Status Register

Writing a 1 to a bit in the interrupt status register causes this bit to be cleared. Writing 0 to a bit does not change the value of the interrupt request flag. A read action to this register delivers the unmasked captured status of the interrupt request lines.

IM0_ISR	Offset	Reset Value
<b>IM0 Interrupt Status Register</b>	<b>F3C0<sub>H</sub></b>	<b>0000<sub>H</sub></b>
15	12	11
10	9	8
7	6	5
4	3	2
1	0	

	<b>Res</b>		<b>IR11</b>	<b>IR10</b>	<b>Res</b>
			lhsc	lhsc	
<b>IR7</b>	<b>IR6</b>	<b>IR5</b>		<b>Res</b>	
lhsc	lhsc	lhsc	lhsc	lhsc	lhsc

Field	Bits	Type	Description
IR11	11	lhsc	<b>Status of Interrupt Request SGMII</b> 0 <sub>B</sub> <b>Inactive</b> There is no pending interrupt. 1 <sub>B</sub> <b>Active</b> There is pending interrupt request.
IR10	10	lhsc	<b>Status of Interrupt Request Packet Extraction</b> 0 <sub>B</sub> <b>Inactive</b> There is no pending interrupt. 1 <sub>B</sub> <b>Active</b> There is pending interrupt request.
IR7	7	lhsc	<b>Status of Interrupt Request MGE</b> 0 <sub>B</sub> <b>Inactive</b> There is no pending interrupt. 1 <sub>B</sub> <b>Active</b> There is pending interrupt request.
IR6	6	lhsc	<b>Status of Interrupt Request xMII</b> 0 <sub>B</sub> <b>Inactive</b> There is no pending interrupt. 1 <sub>B</sub> <b>Active</b> There is pending interrupt request.
IR5	5	lhsc	<b>Status of Interrupt Request GSWIP</b> 0 <sub>B</sub> <b>Inactive</b> There is no pending interrupt. 1 <sub>B</sub> <b>Active</b> There is pending interrupt request.

#### IM0 EINT0 Interrupt Enable Register

Writing 1 to a bit enables the interrupt request line, while writing 0 to a bit disables the associated interrupt request line.

IM0_EINT0_IER	Offset	Reset Value
<b>IM0 EINT0 Interrupt Enable Register</b>	<b>F3C2<sub>H</sub></b>	<b>0000<sub>H</sub></b>

**Registers**

15			12			11		10		9		8					
<b>Res</b>								<b>IR11</b>		<b>IR10</b>		<b>Res</b>					
								rw		rw							
7			6			5		4		3		2		1		0	
<b>IR7</b>		<b>IR6</b>		<b>IR5</b>						<b>Res</b>							
rw		rw		rw		rw		rw		rw		rw		rw			

Field	Bits	Type	Description
IR11	11	rw	<b>Interrupt Enable SGMII</b> 0 <sub>B</sub> <b>Disable</b> Interrupt request is disabled. 1 <sub>B</sub> <b>Active</b> Interrupt request is enabled.
IR10	10	rw	<b>Interrupt Enable Packet Extraction</b> 0 <sub>B</sub> <b>Disable</b> Interrupt request is disabled. 1 <sub>B</sub> <b>Active</b> Interrupt request is enabled.
IR7	7	rw	<b>Interrupt Enable MGE</b> 0 <sub>B</sub> <b>Disable</b> Interrupt request is disabled. 1 <sub>B</sub> <b>Active</b> Interrupt request is enabled.
IR6	6	rw	<b>Interrupt Enable xMII</b> 0 <sub>B</sub> <b>Disable</b> Interrupt request is disabled. 1 <sub>B</sub> <b>Active</b> Interrupt request is enabled.
IR5	5	rw	<b>Interrupt Enable GSWIP</b> 0 <sub>B</sub> <b>Disable</b> Interrupt request is disabled. 1 <sub>B</sub> <b>Active</b> Interrupt request is enabled.

**IM0 EINT1 Interrupt Enable Register**

Writing 1 to a bit enables the interrupt request line, while writing 0 to a bit disables the associated interrupt request line.

<b>IM0_EINT1_IER</b>	<b>Offset</b>	<b>Reset Value</b>
<b>IM0 EINT1 Interrupt Enable Register</b>	<b>F3C3<sub>H</sub></b>	<b>0000<sub>H</sub></b>

15			12			11		10		9		8					
<b>Res</b>								<b>IR11</b>		<b>IR10</b>		<b>Res</b>					
								rw		rw							
7			6			5		4		3		2		1		0	
<b>IR7</b>		<b>IR6</b>		<b>IR5</b>						<b>Res</b>							
rw		rw		rw		rw		rw		rw		rw		rw			

Field	Bits	Type	Description
IR11	11	rw	<b>Interrupt Enable SGMII</b> 0 <sub>B</sub> <b>Disable</b> Interrupt request is disabled. 1 <sub>B</sub> <b>Active</b> Interrupt request is enabled.
IR10	10	rw	<b>Interrupt Enable Packet Extraction</b> 0 <sub>B</sub> <b>Disable</b> Interrupt request is disabled. 1 <sub>B</sub> <b>Active</b> Interrupt request is enabled.
IR7	7	rw	<b>Interrupt Enable MGE</b> 0 <sub>B</sub> <b>Disable</b> Interrupt request is disabled. 1 <sub>B</sub> <b>Active</b> Interrupt request is enabled.
IR6	6	rw	<b>Interrupt Enable xMII</b> 0 <sub>B</sub> <b>Disable</b> Interrupt request is disabled. 1 <sub>B</sub> <b>Active</b> Interrupt request is enabled.
IR5	5	rw	<b>Interrupt Enable GSWIP</b> 0 <sub>B</sub> <b>Disable</b> Interrupt request is disabled. 1 <sub>B</sub> <b>Active</b> Interrupt request is enabled.

**External Interrupt Control Register**

The edge and level detection mechanism of all external interrupt inputs are controlled by register. The polarity of external interrupt outputs are also controlled by register

EIU_EXIN_CONF	Offset	Reset Value							
<b>EIU External Interrupt Controller Register</b>	<b>F3C4<sub>H</sub></b>	<b>0000<sub>H</sub></b>							
15	10	9	8	7	6	4	3	2	0
Res			EOUT 1	EOUT 0	Res	EIN1		Res	EIN0
			rw	rw		rw			rw

Field	Bits	Type	Description
EOUT1	9	rw	<b>External Interrupt Output EINT1</b> Configures the external interrupt pin 1 output characteristics. 0 <sub>B</sub> <b>High Level</b> High Active 1 <sub>B</sub> <b>Low Level</b> Low Active
EOUT0	8	rw	<b>External Interrupt Output EINT0</b> Configures the external interrupt pin 0 output characteristics. 0 <sub>B</sub> <b>High Level</b> High Active 1 <sub>B</sub> <b>Low Level</b> Low Active

<b>Field</b>	<b>Bits</b>	<b>Type</b>	<b>Description</b>
EIN1	6:4	rw	<b>External Interrupt Input EINT1</b> Configures the external interrupt pin 1 input characteristics. 000 <sub>B</sub> <b>Edge/Level</b> Edge and level detection as well as interrupt request generation is disabled 001 <sub>B</sub> <b>Rising Edge</b> Interrupt on rising (positive) edges 010 <sub>B</sub> <b>Falling Edge</b> Interrupt on falling (negative) edges 011 <sub>B</sub> <b>Rising/Falling Edge</b> Both edges, rising and falling edges 100 <sub>B</sub> <b>Edge/Level disable</b> Edge and level detection as well as interrupt request generation is disabled 101 <sub>B</sub> <b>High Level</b> Level detection of high levels 110 <sub>B</sub> <b>Low Level</b> Level detection of low-levels 111 <sub>B</sub> <b>Res</b> reserved
EIN0	2:0	rw	<b>External Interrupt Input EINT0</b> Configures the external interrupt pin 0 input characteristics. 000 <sub>B</sub> <b>Edge/Level</b> Edge and level detection as well as interrupt request generation is disabled 001 <sub>B</sub> <b>Rising Edge</b> Interrupt on rising (positive) edges 010 <sub>B</sub> <b>Falling Edge</b> Interrupt on falling (negative) edges 011 <sub>B</sub> <b>Rising/Falling Edge</b> Both edges, rising and falling edges 100 <sub>B</sub> <b>Edge/Level disable</b> Edge and level detection as well as interrupt request generation is disabled 101 <sub>B</sub> <b>High Level</b> Level detection of high levels 110 <sub>B</sub> <b>Low Level</b> Level detection of low-levels 111 <sub>B</sub> <b>Res</b> reserved

### 4.1.12 LED Registers

This section describes all registers in LED module.

#### LED Single Color Mode Register

This register configures the LED ground mode or power mode.

LED_MD_CFG		Offset		Reset Value			
LED Single Color LED Mode Register		F3E0 <sub>H</sub>		0000 <sub>H</sub>			
15	14	13	12	11	10	9	8
<b>Res</b>	<b>LED14</b>	<b>LED13</b>	<b>LED12</b>	<b>LED11</b>	<b>LED10</b>	<b>LED9</b>	<b>LED8</b>
	rw	rw	rw	rw	rw	rw	rw
7	6	5	4	3	2	1	0
<b>LED7</b>	<b>LED6</b>	<b>LED5</b>	<b>LED4</b>	<b>LED3</b>	<b>LED2</b>	<b>LED1</b>	<b>LED0</b>
rw	rw	rw	rw	rw	rw	rw	rw

Field	Bits	Type	Description
LED14	14	rw	<b>LED Single Color Mode for LED Pin LED42</b> 0 <sub>B</sub> <b>Ground</b> LED Single Color Ground Mode 1 <sub>B</sub> <b>Power</b> LED Single Color Power Mode
LED13	13	rw	<b>LED Single Color Mode for LED Pin LED32</b> 0 <sub>B</sub> <b>Ground</b> LED Single Color Ground Mode 1 <sub>B</sub> <b>Power</b> LED Single Color Power Mode
LED12	12	rw	<b>LED Single Color Mode for LED Pin LED22</b> 0 <sub>B</sub> <b>Ground</b> LED Single Color Ground Mode 1 <sub>B</sub> <b>Power</b> LED Single Color Power Mode
LED11	11	rw	<b>LED Single Color Mode for LED Pin LED12</b> 0 <sub>B</sub> <b>Ground</b> LED Single Color Ground Mode 1 <sub>B</sub> <b>Power</b> LED Single Color Power Mode
LED10	10	rw	<b>LED Single Color Mode for LED Pin LED02</b> 0 <sub>B</sub> <b>Ground</b> LED Single Color Ground Mode 1 <sub>B</sub> <b>Power</b> LED Single Color Power Mode
LED9	9	rw	<b>LED Single Color Mode for LED Pin LED41</b> 0 <sub>B</sub> <b>Ground</b> LED Single Color Ground Mode 1 <sub>B</sub> <b>Power</b> LED Single Color Power Mode
LED8	8	rw	<b>LED Single Color Mode for LED Pin LED31</b> 0 <sub>B</sub> <b>Ground</b> LED Single Color Ground Mode 1 <sub>B</sub> <b>Power</b> LED Single Color Power Mode
LED7	7	rw	<b>LED Single Color Mode for LED Pin LED21</b> 0 <sub>B</sub> <b>Ground</b> LED Single Color Ground Mode 1 <sub>B</sub> <b>Power</b> LED Single Color Power Mode

<b>Field</b>	<b>Bits</b>	<b>Type</b>	<b>Description</b>
LED6	6	rw	<b>LED Single Color Mode for LED Pin LED11</b> 0 <sub>B</sub> <b>Ground</b> LED Single Color Ground Mode 1 <sub>B</sub> <b>Power</b> LED Single Color Power Mode
LED5	5	rw	<b>LED Single Color Mode for LED Pin LED01</b> 0 <sub>B</sub> <b>Ground</b> LED Single Color Ground Mode 1 <sub>B</sub> <b>Power</b> LED Single Color Power Mode
LED4	4	rw	<b>LED Single Color Mode for LED Pin LED40</b> 0 <sub>B</sub> <b>Ground</b> LED Single Color Ground Mode 1 <sub>B</sub> <b>Power</b> LED Single Color Power Mode
LED3	3	rw	<b>LED Single Color Mode for LED Pin LED30</b> 0 <sub>B</sub> <b>Ground</b> LED Single Color Ground Mode 1 <sub>B</sub> <b>Power</b> LED Single Color Power Mode
LED2	2	rw	<b>LED Single Color Mode for LED Pin LED20</b> 0 <sub>B</sub> <b>Ground</b> LED Single Color Ground Mode 1 <sub>B</sub> <b>Power</b> LED Single Color Power Mode
LED1	1	rw	<b>LED Single Color Mode for LED Pin LED10</b> 0 <sub>B</sub> <b>Ground</b> LED Single Color Ground Mode 1 <sub>B</sub> <b>Power</b> LED Single Color Power Mode
LED0	0	rw	<b>LED Single Color Mode for LED Pin LED00</b> 0 <sub>B</sub> <b>Ground</b> LED Single Color Ground Mode 1 <sub>B</sub> <b>Power</b> LED Single Color Power Mode





Field	Bits	Type	Description
TD	13:8	rw	<b>The Number of Slots for Discharge</b>
CURLEVEL	7:4	rh	<b>Current Brightness Level</b>
SENS	3	rw	<b>LED Sensing Enable</b> 0 <sub>B</sub> <b>Disable</b> LED sensing is disabled 1 <sub>B</sub> <b>Enable</b> LED sensing is enabled
PERIOD	2:0	rw	<b>LED Sensing Period</b> 000 <sub>B</sub> <b>1000</b> 1000 ms 001 <sub>B</sub> <b>500</b> 500 ms 010 <sub>B</sub> <b>333</b> 333 ms 011 <sub>B</sub> <b>250</b> 250 ms 100 <sub>B</sub> <b>200</b> 200 ms 101 <sub>B</sub> <b>167</b> 167 ms 110 <sub>B</sub> <b>142</b> 142 ms 111 <sub>B</sub> <b>125</b> 125 ms

## 4.2 SGMII\_Registers

This section defines all the registers required to operate the SGMII module.

**Table 59 Registers Address Space**

Module	Base Address	End Address	Note
SGMII_TBI	300 <sub>H</sub>	3FF <sub>H</sub>	
SGMII_PCS	400 <sub>H</sub>	4FF <sub>H</sub>	
SGMII_PHY	000 <sub>H</sub>	1FF <sub>H</sub>	
SGMII_MACRO	200 <sub>H</sub>	2FF <sub>H</sub>	

**Table 60 Registers Overview**

Register Short Name	Register Long Name	Offset Address	Page Number
<b>SGMII_Registers, SGMII_TBI: TBI Submodule Register File</b>			
<a href="#">SGMII_TBI_TXANEGH</a>	SGMII Transmit Auto-Negotiation High Byte	D300 <sub>H</sub>	<a href="#">238</a>
<a href="#">SGMII_TBI_TXAN EGL</a>	SGMII Transmit Auto-Negotiation Low Byte	D301 <sub>H</sub>	<a href="#">239</a>
<a href="#">SGMII_TBI_RXANEGH</a>	SGMII Receive Auto-Negotiation High Byte(15:8)	D302 <sub>H</sub>	<a href="#">240</a>
<a href="#">SGMII_TBI_RXAN EGL</a>	SGMII Receive Auto-Negotiation Low Byte(7:0)	D303 <sub>H</sub>	<a href="#">241</a>
<a href="#">SGMII_TBI_ANEGCTL</a>	SGMII Auto-Negotiation Control Bits	D304 <sub>H</sub>	<a href="#">242</a>
<a href="#">SGMII_TBI_TBICTL</a>	SGMII TBI Control Bits	D305 <sub>H</sub>	<a href="#">244</a>
<a href="#">SGMII_TBI_TBICTL T</a>	SGMII TBI Control Bits TX	D306 <sub>H</sub>	<a href="#">246</a>
<a href="#">SGMII_TBI_TBITEST</a>	SGMII TBI Test Control Bits	D307 <sub>H</sub>	<a href="#">247</a>
<a href="#">SGMII_TBI_RXERR</a>	SGMII RX Error Counter	D308 <sub>H</sub>	<a href="#">248</a>
<a href="#">SGMII_TBI_TBISTAT</a>	SGMII TBI Status	D309 <sub>H</sub>	<a href="#">249</a>
<a href="#">SGMII_TBI_LPSTAT</a>	SGMII Link Partner Status	D30A <sub>H</sub>	<a href="#">250</a>
<a href="#">SGMII_TBI_ISTAT</a>	SGMII Interrupt Status	D30B <sub>H</sub>	<a href="#">251</a>
<a href="#">SGMII_TBI_IMASK</a>	SGMII Interrupt Mask	D30C <sub>H</sub>	<a href="#">252</a>
<a href="#">SGMII_TBI_TX_FSM_S TAT</a>	SGMII Transmitter State	D30D <sub>H</sub>	<a href="#">253</a>
<a href="#">SGMII_TBI_RX_FSM_S TAT</a>	SGMII Receiver State	D30E <sub>H</sub>	<a href="#">254</a>
<b>SGMII_Registers, SGMII_PCS: SGMII PCS Register File</b>			
<a href="#">SGMII_PCS_CFG</a>	SGMII PCS Configuration	D400 <sub>H</sub>	<a href="#">255</a>
<a href="#">SGMII_PCS_RXB_CTL</a>	SGMII Receive Buffer Control	D401 <sub>H</sub>	<a href="#">256</a>
<a href="#">SGMII_PCS_RXB_CFG</a>	SGMII Receive Buffer Configuration	D402 <sub>H</sub>	<a href="#">257</a>
<a href="#">SGMII_PCS_RXB_STA T</a>	SGMII PCS Receive Buffer Status	D403 <sub>H</sub>	<a href="#">258</a>
<a href="#">SGMII_PCS_TXB_CTL</a>	SGMII PCS Transmit Buffer Control	D404 <sub>H</sub>	<a href="#">259</a>
<a href="#">SGMII_PCS_TXB_CFG</a>	SGMII PCS Transmit Buffer Configuration	D405 <sub>H</sub>	<a href="#">260</a>
<a href="#">SGMII_PCS_TXB_STA T</a>	SGMII PCS Transmit Buffer Status	D406 <sub>H</sub>	<a href="#">261</a>
<b>SGMII_Registers, SGMII_PHY: SGMII_PHY Registers</b>			

**Table 60 Registers Overview (cont'd)**

Register Short Name	Register Long Name	Offset Address	Page Number
<a href="#">SGMII_PHY_RESETN</a>	SGMII PHY Reset	D000 <sub>H</sub>	<a href="#">262</a>
<a href="#">SGMII_PHY_MPLL_CFG1</a>	SGMII PHY MPLL CFG1	D001 <sub>H</sub>	<a href="#">263</a>
<a href="#">SGMII_PHY_MPLL_CFG2</a>	SGMII PHY MPLL CFG2	D002 <sub>H</sub>	<a href="#">264</a>
<a href="#">SGMII_PHY_RX0_CFG1</a>	SGMII PHY RX0 CFG1	D003 <sub>H</sub>	<a href="#">265</a>
<a href="#">SGMII_PHY_RX0_CFG2</a>	SGMII PHY RX0 CFG2	D004 <sub>H</sub>	<a href="#">266</a>
<a href="#">SGMII_PHY_TX0_CFG1</a>	SGMII PHY TX0 CFG1	D005 <sub>H</sub>	<a href="#">267</a>
<a href="#">SGMII_PHY_TX0_CFG2</a>	SGMII PHY TX0 CFG2	D006 <sub>H</sub>	<a href="#">268</a>
<a href="#">SGMII_PHY_TX0_CFG3</a>	SGMII PHY TX0 CFG3	D007 <sub>H</sub>	<a href="#">269</a>
<a href="#">SGMII_PHY_MISC</a>	SGMII PHY MISC	D008 <sub>H</sub>	<a href="#">270</a>
<a href="#">SGMII_PHY_HWBU_CTRL</a>	SGMII PHY HWBU CTRL	D009 <sub>H</sub>	<a href="#">271</a>
<a href="#">SGMII_PHY_STATUS</a>	SGMII PHY STATUS	D00A <sub>H</sub>	<a href="#">272</a>
<a href="#">SGMII_PHY_D</a>	SGMII PHY D	D100 <sub>H</sub>	<a href="#">273</a>
<a href="#">SGMII_PHY_A</a>	SGMII PHY A	D101 <sub>H</sub>	<a href="#">274</a>
<a href="#">SGMII_PHY_C</a>	SGMII PHY C	D102 <sub>H</sub>	<a href="#">275</a>
<a href="#">SGMII_PHY_WATCHDOG_CTRL</a>	SGMII PHY WATCHDOG CONTROL	D111 <sub>H</sub>	<a href="#">276</a>
<a href="#">SGMII_PHY_WATCHDOG_TIMER</a>	SGMII PHY WATCHDOG TIMER	D112 <sub>H</sub>	<a href="#">276</a>
<b>SGMII_Registers, SGMII_MACRO_REGISTERS: SGMII_MACRO Registers</b>			
<a href="#">SGMII_MACRO_SGMII_CTRL1</a>	SGMII Macro SGMII CTRL1	D201 <sub>H</sub>	<a href="#">278</a>
<a href="#">SGMII_MACRO_CLK_CTRL</a>	SGMII Macro Clock Control	D20F <sub>H</sub>	<a href="#">279</a>
<a href="#">SGMII_MACRO_RESETN</a>	SGMII Macro Reset Control	D200 <sub>H</sub>	<a href="#">277</a>

The register is addressed wordwise.

**Table 61 Register Access Types**

<b>Mode</b>	<b>Symbol</b>
Interrupt status register, latching high, cleared by writing a ONE	lhsc
Hardware status, read-only	rh
Read/write register with input from and output to hardware	rwh
Standard read/write register with output to hardware	rw

#### 4.2.1 SGMII\_TBI: TBI Submodule Register File

This section defines all the registers required to operate the SGMII\_TBI module.<sup>1)</sup>

##### SGMII Transmit Auto-Negotiation High Byte

This register holds the part of the control word transmitted during ANEG.

SGMII_TBI_TXANEGH	Offset	Reset Value
SGMII Transmit Auto-Negotiation High Byte	D300 <sub>H</sub>	0000 <sub>H</sub>
15		8
Res		
7		6
5		0
NP	Res	DATAH
rw		rw

Field	Bits	Type	Description
NP	7	rw	<b>Next Page</b> The NP bit is set up the external Next Page function to indicate whether or not this is the last page to be transmitted 0 <sub>B</sub> <b>LAST</b> Last Page 1 <sub>B</sub> <b>NEXT</b> Additional next page to follow
DATAH	5:0	rw	<b>Higher Data or Control Bits for Auto-Negotiation</b> This is the upper byte of the transmitted control word during ANEG

1) Generated by REFIGE v1.4 - Beta Release XIV

**SGMII Transmit Auto-Negotiation Low Byte**

This register holds part of the control word transmitted during ANEG.

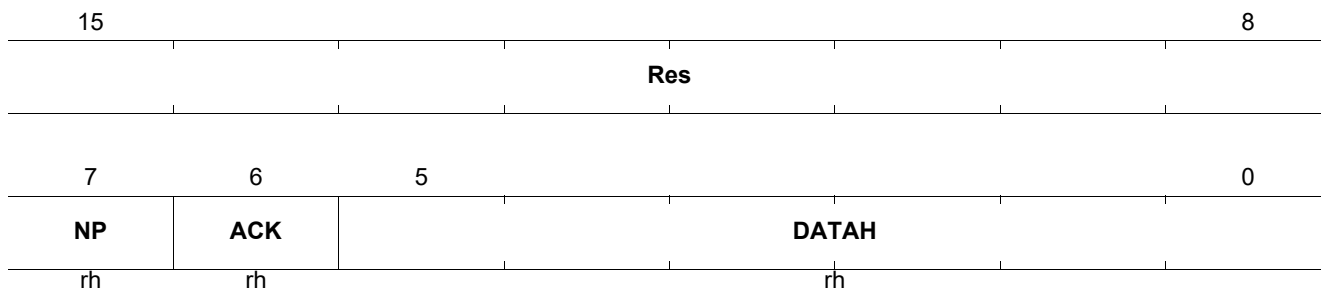
SGMII_TBI_TXANEGH	Offset	Reset Value
<b>SGMII Transmit Auto-Negotiation High Byte</b>	<b>D300<sub>H</sub></b>	<b>0000<sub>H</sub></b>
15		8
<b>Res</b>		
7		0
<b>DATAL</b>		
rw		

Field	Bits	Type	Description
DATAL	7:0	rw	<b>Lower Data or Control Bits for Auto-Negotiation</b> The SGMII_TBI_TXANEGH must be written after SGMII_TBI_TXANEGH. Writing to SGMII_TBI_TXANEGH register updates the tx_config_reg(15:0) (described in cl 36 of the standard). When Next Page function is supported, the controller must write to NP bit in SGMII_TBI_TXANEGH to go to NEXT_PAGE_WAIT state in ANEG FSM after ANEG Interrupt.

**SGMII Receive Auto-Negotiation High Byte(15:8)**

This register holds part of the control word received during ANEG.

SGMII_TBI_RXANEGH	Offset	Reset Value
SGMII Receive Auto-Negotiation High Byte(15:8)	D302 <sub>H</sub>	0000 <sub>H</sub>



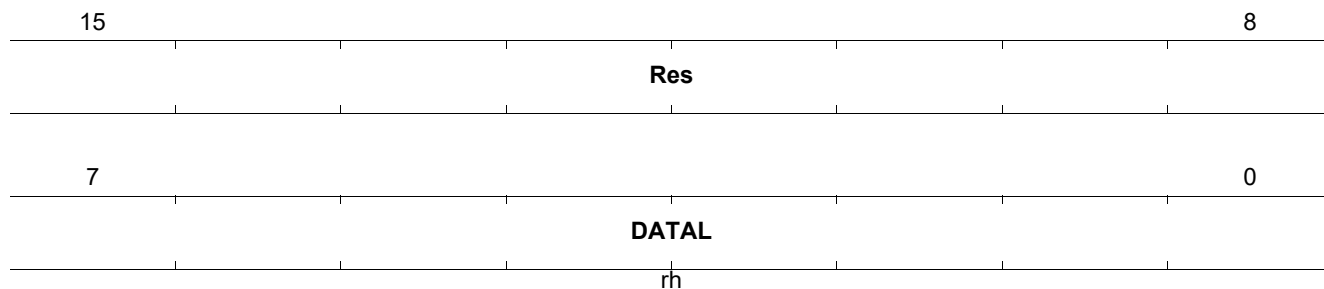
Field	Bits	Type	Description
NP	7	rh	<b>Next Page</b> The NP bit is used by the Next Page function to indicate whether or not this is the last page 0 <sub>B</sub> <b>LAST</b> Last Page 1 <sub>B</sub> <b>NEXT</b> Additional next page to follow
ACK	6	rh	<b>Acknowledge</b> 0 <sub>B</sub> <b>NAK</b> No Acknowledge received 1 <sub>B</sub> <b>ACK</b> Acknowledge received
DATAH	5:0	rh	<b>Higher Data or Control Bits for Auto-Negotiation</b> This is the upper byte of the received control word during ANEG



**SGMII Receive Auto-Negotiation Low Byte(7:0)**

This register holds part of the control word received during ANEG.

SGMII_TBI_RXANEG_L	Offset	Reset Value
SGMII Receive Auto-Negotiation Low Byte(7:0)	D303 <sub>H</sub>	0000 <sub>H</sub>



Field	Bits	Type	Description
DATAL	7:0	rh	<b>Lower Data or Control Bits for Auto-Negotiation</b> This is the lower byte of the received control word during ANEG

**SGMII Auto-Negotiation Control Bits**

This register holds the bits that control the ANEG process.

SGMII_TBI_ANEGCTL		Offset		Reset Value			
SGMII Auto-Negotiation Control Bits		D304 <sub>H</sub>		00B2 <sub>H</sub>			
15	14					8	
<b>BCOMP</b>		<b>Res</b>					
rw							
7	6	5	4	3	2	1	0
<b>ANMODE</b>		<b>OVRANEG</b>	<b>OVRABL</b>	<b>RANEG</b>	<b>ANEGEN</b>	<b>LT</b>	
rw		rw	rw	rwh	rw	rw	

Field	Bits	Type	Description
BCOMP	15	rw	<b>Backwards Compatibility Control</b> ANEG FSM switches from COMPLETE_ACKNOWLEDGE to NEXT_PAGE_WAIT only when LP's NP ability is activated (among other conditions). Retains earlier ANEG FSM operating mode, where LP's NP ability is not considered in changing state COMPLETE_ACKNOWLEDGE to NEXT_PAGE_WAIT state. 0 <sub>B</sub> <b>INCOMP</b> Backwards incompatible mode 1 <sub>B</sub> <b>COMP</b> Backwards compatible mode
ANMODE	7:6	rw	<b>ANEG Mode</b> 00 <sub>B</sub> <b>RESERVED</b> RESERVED 01 <sub>B</sub> <b>SGMII_1000BX</b> 1000BASE-X mode: ANEG done as defined by 1000BASE-X. 10 <sub>B</sub> <b>SGMII_PHY</b> SGMII PHY mode: ANEG done as defined by SGMII standard, as PHY. 11 <sub>B</sub> <b>SGMII_MAC</b> SGMII MAC mode: ANEG done as defined by SGMII standard, as MAC.
OVRANEG	5	rw	<b>Override Ability for ANEG Control</b> 0 <sub>B</sub> <b>HW_INT</b> Hardware mode: ANEG Mode, Enable ANEG and restart ANEG are taken from interface signals AN_MODE_I, AN_EN_I and AN_RS_I respectively 1 <sub>B</sub> <b>OVERRIDE</b> Register Mode: ANEG Mode, Enable ANEG and restart ANEG are taken from bits ANMODE, ANEGEN, RANEG of this register

Field	Bits	Type	Description
OVRABL	4	rw	<p><b>Override Ability for tx_config_reg</b> Ability values are taken from Hardware Interface SGMII (PHY mode only): AN_FD_I and AN_HD_I to form duplex mode bit; TR_DR_I to form speed bit 1000BASE-X: AN_FD_I and AN_HD_I to form FD and HD bits; AN_PS_I form PS1 and PS2 bits; AN_RF_I form RF1 and RF2 bits Note: Other tx_config_reg bits are set to '0' in this mode The tx_config_reg values are taken from Register TXANEGH and TXANEGL</p> <p>0<sub>B</sub> <b>HW_INT</b> Hardware mode: Ability Values are taken from Interface Signals 1<sub>B</sub> <b>OVERRIDE</b> Register Mode: Override, Ability Values are taken from Registers</p>
RANEG	3	rwh	<p><b>Restart Auto-Negotiation Process</b> Bit is cleared by hardware after FSM restarts.</p> <p>0<sub>B</sub> <b>NORMAL</b> Normal operation 1<sub>B</sub> <b>RESTART</b> Restart auto-negotiation process</p>
ANEGEN	2	rw	<p><b>Auto-Negotiation Enable</b> Enable auto-negotiation for TBI Interface.</p> <p>0<sub>B</sub> <b>DISABLE</b> Auto-negotiation is disabled 1<sub>B</sub> <b>ENABLE</b> Auto-negotiation is enabled</p>
LT	1:0	rw	<p><b>Link Timer Value</b> Link timer values for TBI ANEG FSM. Required value for standard TBI is 10 ms. Required value for SGMII is 1.6 ms (Reset value).</p> <p>00<sub>B</sub> <b>T_10US</b> Timer Delay is 10 μs (Simulation) 01<sub>B</sub> <b>T_1_6MS</b> Timer Delay is 1.6 ms (SGMII) 10<sub>B</sub> <b>T_5MS</b> Timer Delay is 5 ms 11<sub>B</sub> <b>T_10MS</b> Timer Delay is 10 ms (TBI)</p>



<b>Field</b>	<b>Bits</b>	<b>Type</b>	<b>Description</b>
LPB1	2	rw	<b>Loopback Mode of TBI</b> Enable Digital Loopback Operation. <i>Note: MaxLinear internal debug function. Additional configuration steps required.</i>  0 <sub>B</sub> <b>NORMAL</b> Normal operation 1 <sub>B</sub> <b>LOOPBACK</b> Loopback enabled
ENTBI	1	rw	<b>Enable of TBI Interface</b> Set to 1 for normal TBI operation, when set to DISABLE the RX and TX FSMs are frozen.  0 <sub>B</sub> <b>DISABLE</b> TBI Interface is disabled 1 <sub>B</sub> <b>ENABLE</b> TBI Interface is enabled
INITTBI	0	rw	<b>Reset of TBI FSM</b> Reset TBI Interface.  0 <sub>B</sub> <b>NORMAL</b> Normal operation 1 <sub>B</sub> <b>INIT</b> Initialization of TBI

**SGMII TBI Control Bits TX**

This register holds the bits that control the TBI operations.

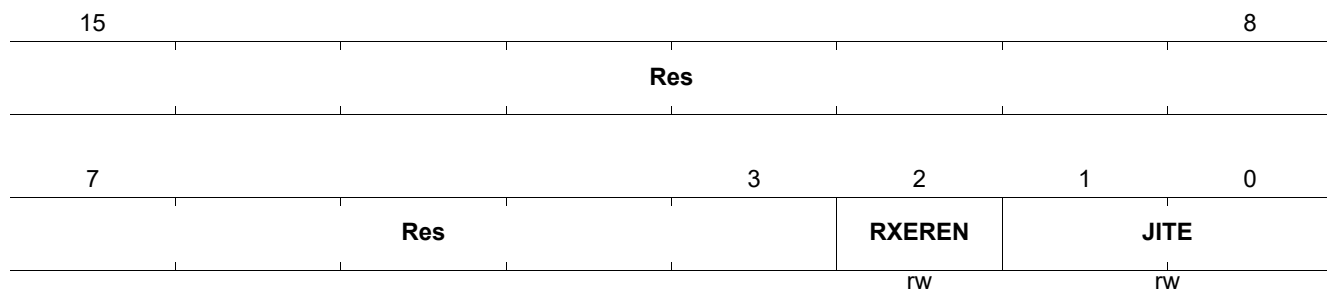
SGMII_TBI_TBICLT	Offset	Reset Value
SGMII TBI Control Bits TX	D306 <sub>H</sub>	0000 <sub>H</sub>
15	Res	8
7	Res	0
		<b>TXFS</b>
		rw

Field	Bits	Type	Description
TXFS	0	rw	<b>Transmit False Carrier Insertion</b> When enabled, defines a non-standard TX_FLASE_CARRIER state in PCS transmit ordered_set FSM in between XMIT_DATA and START_OF_PACKET states, which is entered in case TX_EN_I = '0' and TX_ER_I = '1'. See Figure 36-5 of IEEE Std 802.3. 0 <sub>B</sub> <b>NO</b> No False Carrier Insertion 1 <sub>B</sub> <b>YES</b> False Carrier Insertion

**SGMII TBI Test Control Bits**

This register holds the bits to enable some test features of the TBI.

<b>SGMII_TBI_TBITEST</b>	<b>Offset</b>	<b>Reset Value</b>
<b>SGMII TBI Test Control Bits</b>	<b>D307<sub>H</sub></b>	<b>0000<sub>H</sub></b>



Field	Bits	Type	Description
RXEREN	2	rw	<b>Enable RX Error Counter</b> When enabled, the errors from 8b10b Decoder are counted 0 <sub>B</sub> <b>DSIABLE</b> RX Error Counter is disabled 1 <sub>B</sub> <b>ENABLE</b> RX Error Counter is enabled
JITE	1:0	rw	<b>Jitter Test pattern for Transmit</b> When set, the test pattern according to IEEE Std 802.3 chapter 36 A are transmitted. 00 <sub>B</sub> <b>NO</b> Normal Function 01 <sub>B</sub> <b>HIGH</b> Transmit High Frequency test pattern 36A.1 10 <sub>B</sub> <b>LOW</b> Transmit Low Frequency test pattern 36A.2 11 <sub>B</sub> <b>MIXED</b> Transmit Mixed Frequency test pattern 36A.3

**SGMII RX Error Counter**

This register holds the count of errors as seen by the 8b10b decoder.

SGMII_TBI_RXERR	Offset	Reset Value
SGMII RX Error Counter	D308 <sub>H</sub>	0000 <sub>H</sub>
15		8
	Res	
7		0
	RXERRC	
	rwh	

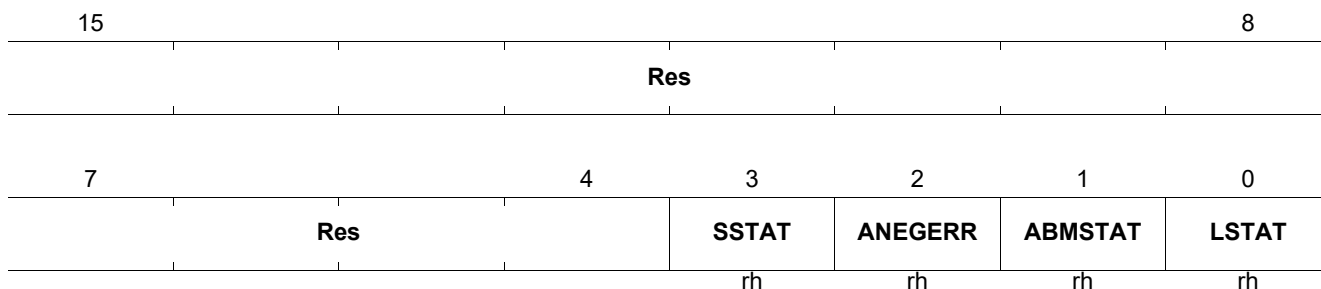
Field	Bits	Type	Description
RXERRC	7:0	rwh	<b>RX Error Counter</b> When enabled the receive errors detected by the 8b10b Decoder are counted. The register is cleared by read.



**SGMII TBI Status**

This register holds the status bits of the TBI FSMs.

<b>SGMII_TBI_TBISTAT</b>	<b>Offset</b>	<b>Reset Value</b>
<b>SGMII TBI Status</b>	<b>D309<sub>H</sub></b>	<b>0000<sub>H</sub></b>

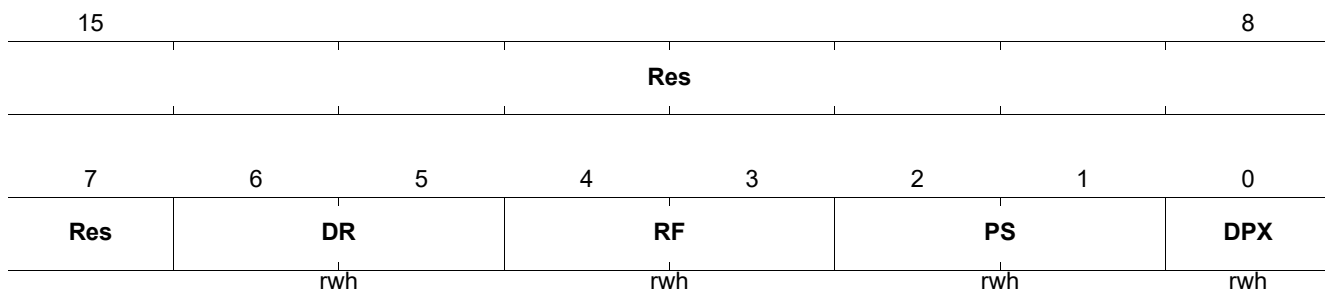


Field	Bits	Type	Description
SSTAT	3	rh	<b>Sync Status of the TBI Sync FSM</b> Status of the TBI Sync FSM as defined in figure 36-9 of 802.3 0 <sub>B</sub> <b>NOK</b> Sync Status of TBI is not OK 1 <sub>B</sub> <b>OK</b> Sync Status of TBI is OK
ANEGERR	2	rh	<b>Auto-Negotiation Error</b> Error Bit set when Abilities of local device and link partner do not match and cannot be resolved by the RESOLVE_PRIORIT function during auto-negotiation, when auto-negotiation is enabled. Not valid for SGMII mode. 0 <sub>B</sub> <b>NO_ERROR</b> No auto-negotiation error 1 <sub>B</sub> <b>ERROR</b> Auto-negotiation Error
ABMSTAT	1	rh	<b>Ability Match of TBI</b> Ability match status when auto-negotiation is enabled. 0 <sub>B</sub> <b>NOK</b> Auto-negotiation State Machine ability does not match 1 <sub>B</sub> <b>OK</b> Auto-negotiation State Machine ability match
LSTAT	0	rh	<b>Link Status of TBI</b> Indicates whether the ANEG FSM advanced to the LINK_OK status or not when auto-negotiation is enabled 0 <sub>B</sub> <b>NOK</b> Auto-negotiation State Machine is not in LINK_OK state 1 <sub>B</sub> <b>OK</b> Auto-negotiation State Machine is in LINK_OK state

**SGMII Link Partner Status**

This register carries information about the link partner obtained via ANEG.

<b>SGMII_TBI_LPSTAT</b>	<b>Offset</b>	<b>Reset Value</b>
<b>SGMII Link Partner Status</b>	<b>D30A<sub>H</sub></b>	<b>0000<sub>H</sub></b>



Field	Bits	Type	Description
DR	6:5	rwh	<b>SGMII Data Rate</b> SGMII Data Rate at link partner, set by HW when OVRABL is DISABLED and ANEG is enabled by HW or SW, only valid in SGMII Mode 00 <sub>B</sub> <b>DR10</b> Data Rate is 10 Mbps 01 <sub>B</sub> <b>DR100</b> Data Rate is 100 Mbps 10 <sub>B</sub> <b>DR1000</b> Data Rate is 1000 Mbps 11 <sub>B</sub> <b>NOSGMII</b> No SGMII Mode. For example, 1000BASE-X or else.
RF	4:3	rwh	<b>Remote Fault</b> Remote Fault Status at link partner, set by HW when OVRABL is DISABLED and ANEG is enabled by HW or SW 00 <sub>B</sub> <b>LINK_OK</b> No Error, link OK 01 <sub>B</sub> <b>LINK_FAIL</b> Link Failure, Link Down in SGMII Mode 10 <sub>B</sub> <b>OFFLINE</b> Offline, not used in SGMII Mode 11 <sub>B</sub> <b>ANEG_ERROR</b> Auto-negotiation error, not used in SGMII Mode
PS	2:1	rwh	<b>Pause Capability</b> Pause Status after auto-negotiation Priority Resolution at link partner, set by HW when OVRABL is DISABLED and ANEG is enabled by HW or SW 00 <sub>B</sub> <b>NO</b> No Pause 01 <sub>B</sub> <b>RECEIVE</b> Receive PAUSE 10 <sub>B</sub> <b>TRANSMIT</b> Transmit PAUSE 11 <sub>B</sub> <b>BOTH</b> Receive and Transmit PAUSE
DPX	0	rwh	<b>Duplex Status</b> Duplex Status after auto-negotiation Priority Resolution, set by HW when OVRABL is DISABLED and ANEG is enabled by HW or SW 0 <sub>B</sub> <b>HD</b> Half Duplex Mode 1 <sub>B</sub> <b>FD</b> Full Duplex Mode

**SGMII Interrupt Status**

This register carries information about the source of interrupt from the macro.

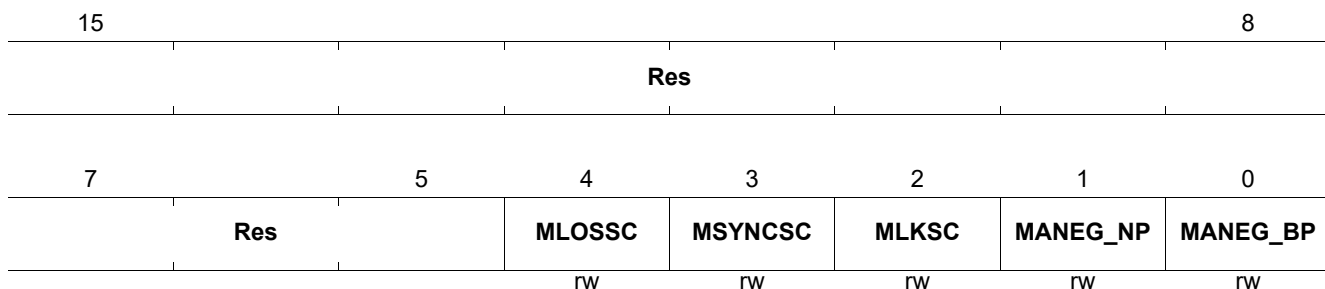
SGMII_TBI_I_STAT	Offset	Reset Value
<b>SGMII Interrupt Status</b>	<b>D30B<sub>H</sub></b>	<b>0000<sub>H</sub></b>
15		8
<b>Res</b>		
7	5	4
3	2	1
0		
<b>Res</b>	<b>LOSSC</b>	<b>SYNCSC</b>
	<b>LKSC</b>	<b>ANEG_NP</b>
		<b>ANEG_BP</b>
	lhsc	lhsc
	lhsc	lhsc
	lhsc	lhsc

Field	Bits	Type	Description
LOSSC	4	lhsc	<b>Los Status Change</b> The current status of the los signal has changed. Interrupt cleared by writing a 1.
SYNCSC	3	lhsc	<b>Sync Status Change</b> The current status of the Synch state machine has changed. Interrupt cleared by writing a 1.
LKSC	2	lhsc	<b>Link Status Change</b> The current status of the link has changed either from OK to not OK or vice versa. Interrupt cleared by writing a 1.
ANEG_NP	1	lhsc	<b>Auto-Negotiation Interrupt Next Page</b> Interrupt generated from auto-negotiation when in COMPLETE_ACKNOWLEDGE state and a next page has been transferred. Firmware must write a fresh value to SGMII_TBI_TXANEGx with NP bit set before timer expires, when another next page operation is required i.e., for the ANEG FSM to move from COMPLETE_ACKNOWLEDGE to NEXT_PAGE_WAIT. Else the FSM moves to IDLE_DETECT state. Interrupt cleared by writing a '1'.
ANEG_BP	0	lhsc	<b>Auto-Negotiation Interrupt Base Page</b> Interrupt generated from auto-negotiation FSM when in COMPLETE_ACKNOWLEDGE state and the base page has been transferred; Firmware must write a fresh value to SGMII_TBI_TXANEGx with NP set before the timer expires, when next page operation is required i.e., for the ANEG FSM to move from COMPLETE_ACKNOWLEDGE to NEXT_PAGE_WAIT. Else the FSM moves to IDLE_DETECT state. Interrupt cleared by writing a '1'.

**SGMII Interrupt Mask**

This register carries mask bits for the interrupts described in SGMI\_TBI\_ISTAT.

<b>SGMII_TBI_IMASK</b>	<b>Offset</b>	<b>Reset Value</b>
<b>SGMII Interrupt Mask</b>	<b>D30C<sub>H</sub></b>	<b>001F<sub>H</sub></b>



Field	Bits	Type	Description
MLOSSC	4	rw	<b>LOS Status Change</b> 0 <sub>B</sub> <b>UMASK</b> Unmask LOSSC Interrupt 1 <sub>B</sub> <b>MASK</b> Mask LOSSC Interrupt
MSYNCSC	3	rw	<b>Sync Status Change</b> 0 <sub>B</sub> <b>UMASK</b> Unmask SYNCSC Interrupt 1 <sub>B</sub> <b>MASK</b> Mask SYNCSC Interrupt
MLKSC	2	rw	<b>Link Status Change</b> 0 <sub>B</sub> <b>UMASK</b> Unmask LKSC Interrupt 1 <sub>B</sub> <b>MASK</b> Mask LKSC Interrupt
MANEG_NP	1	rw	<b>Mask Auto-Negotiation Next Page</b> 0 <sub>B</sub> <b>UMASK</b> Unmask auto-negotiation interrupt 1 <sub>B</sub> <b>MASK</b> Mask auto-negotiation interrupt
MANEG_BP	0	rw	<b>Mask Auto-Negotiation Base Page</b> 0 <sub>B</sub> <b>UMASK</b> Unmask auto-negotiation interrupt 1 <sub>B</sub> <b>MASK</b> Mask auto-negotiation interrupt

**SGMII Transmitter State**

This register indicates the status of the transmit FSM.

SGMII_TBI_TX_FSM_STAT	Offset	Reset Value
SGMII Transmitter State	D30D <sub>H</sub>	0000 <sub>H</sub>
15		8
Res		
7	5	4
Res	TX_FSM_STATUS	
		rh

Field	Bits	Type	Description
TX_FSM_STATUS	4:0	rh	<b>State of Transmit FSM</b>  00000 <sub>B</sub> <b>RESET_TX</b> Reset txstate 00001 <sub>B</sub> <b>TX_TEST_TRANSMIT</b> Check xmit state 00010 <sub>B</sub> <b>CONFIGURATION_ST</b> Send config part 00011 <sub>B</sub> <b>IDLE_TX</b> Send idle 00100 <sub>B</sub> <b>XMIT_DATA</b> Send indication for tx data 00101 <sub>B</sub> <b>TX_START_OF_PACKET</b> Send sfd 00110 <sub>B</sub> <b>TX_DATA</b> Send data 00111 <sub>B</sub> <b>TX_END_OF_PACKET_NOEXT</b> Send epd 01000 <sub>B</sub> <b>END_OF_PACKET_EXT</b> Send end of packet at txeven is zero and err is zero 01001 <sub>B</sub> <b>EPD2_NOEXT</b> Align to txeven is zero 01010 <sub>B</sub> <b>EPD3</b> Send R when txeven is one 01011 <sub>B</sub> <b>EXTEND_BY_1</b> Send r for carrier ext 01100 <sub>B</sub> <b>CARRIER_EXTEND</b> Err is one then send sfd or send start of err 01101 <sub>B</sub> <b>ALIGN_ERR_START</b> Send error at txeven 01110 <sub>B</sub> <b>START_ERROR</b> Send start of error at one 01111 <sub>B</sub> <b>TX_DATA_ERROR</b> Send error data 10000 <sub>B</sub> <b>TX_FALSE_CARRIER</b> Send false carrier

**SGMII Receiver State**

This register indicates the status of the receive FSM.

SGMII_TBI_RX_FSM_STAT	Offset	Reset Value
SGMII Receiver State	D30E <sub>H</sub>	0000 <sub>H</sub>
15		8
Res		
7	5	4
Res	RX_FSM_STATUS	
		rh

Field	Bits	Type	Description
RX_FSM_STATUS	4:0	rh	<b>State of Receive FSM</b> 00000 <sub>B</sub> <b>RESET</b> Reset state 00001 <sub>B</sub> <b>LINK_FAILED</b> Link failed 00010 <sub>B</sub> <b>WAIT_FOR_K</b> Wait for comma state 00011 <sub>B</sub> <b>RX_K</b> Received comma 00100 <sub>B</sub> <b>RX_CB</b> Received config bit 00101 <sub>B</sub> <b>RX_CC</b> Received config1 bit 00110 <sub>B</sub> <b>RX_CD</b> Received config2 bit 00111 <sub>B</sub> <b>RX_INVALID</b> Received data is invalid 01000 <sub>B</sub> <b>IDLE_D</b> Idle state 01001 <sub>B</sub> <b>FALSE_CARRIER</b> False carrier detection 01010 <sub>B</sub> <b>START_OF_PACKET</b> Start of packet detected 01011 <sub>B</sub> <b>EARLY_END</b> Early end of packet detected 01100 <sub>B</sub> <b>TRI_RRI</b> Packet termination received correctly 01101 <sub>B</sub> <b>TRR_EXTEND</b> Packet termination received correctly with carrier extend&check epd 01110 <sub>B</sub> <b>TRR_EXTEND_A</b> Packet termination received correctly with carrier extend 01111 <sub>B</sub> <b>PACKET_BURST_RRS</b> Receiving packet burst 10000 <sub>B</sub> <b>EXTEND_ERR</b> Carrier extend err 10001 <sub>B</sub> <b>RX_DATA_ERROR</b> Receiving wrong data 10010 <sub>B</sub> <b>RX_DATA</b> Receiving data

## 4.2.2 SGMII\_PCS: SGMII PCS Register File

This section defines all the registers required to operate the SGMII\_PCS module.

### SGMII PCS Configuration

This register contains configuration bits for the PCS.

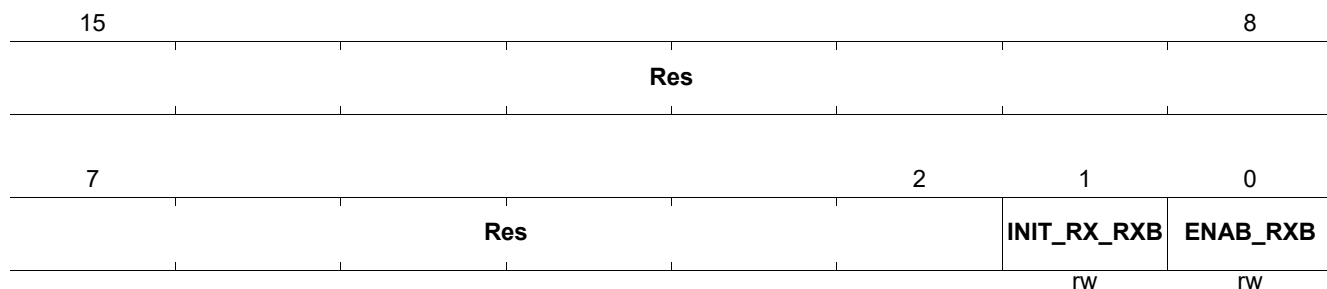
SGMII_PCS_CFG	Offset	Reset Value
SGMII PCS Configuration	D400 <sub>H</sub>	0000 <sub>H</sub>
15		8
Res		
7	4	0
	3	2
Res	RTE_EN	INITTX
	INITRX	LPB
	rw	rw
		rw
		rw

Field	Bits	Type	Description
RTE_EN	3	rw	<b>RTE Enable</b> Used to enable/disable real time Ethernet support. 0 <sub>B</sub> <b>DISABLE</b> Disable RTE 1 <sub>B</sub> <b>ENABLE</b> Enable RTE
INITTX	2	rw	<b>INIT SGMII TX Path</b> Used to reset all transmit operations. 0 <sub>B</sub> <b>NORMAL</b> Normal Operation TX 1 <sub>B</sub> <b>INIT</b> Reset TX Path
INITRX	1	rw	<b>INIT SGMII RX Path</b> Used to reset all receive operations. 0 <sub>B</sub> <b>NORMAL</b> Normal Operation TX 1 <sub>B</sub> <b>INIT</b> Reset RX Path
LPB	0	rw	<b>Loop Back RX to TX Path</b> Used to loop data from receive buffer to transmit buffer (PCS SGMII loop). 0 <sub>B</sub> <b>NORMAL</b> Normal Operation TX 1 <sub>B</sub> <b>LOOP</b> Loop back RX to TX Path

**SGMII PCS Receive Buffer Control**

Used to control the RX buffer operation.

<b>SGMII_PCS_RXB_CTL</b>	<b>Offset</b>	<b>Reset Value</b>
<b>SGMII Receive Buffer Control</b>	<b>D401<sub>H</sub></b>	<b>0001<sub>H</sub></b>



Field	Bits	Type	Description
INIT_RX_RXB	1	rw	<b>Initialize RX Buffer</b> Used to reset the RX buffer and associated pointers. 0 <sub>B</sub> <b>NORMAL</b> RX Buffer and pointers are normally operating 1 <sub>B</sub> <b>ACTIVE</b> RX Buffer and pointers are initialized
ENAB_RXB	0	rw	<b>Enable RX Buffer</b> When this control bit is disabled, the RX Buffer is disabled. The current transfer is NOT affected. This bit is used for the clock-gating. 0 <sub>B</sub> <b>DISABLE</b> RX Buffer is disabled 1 <sub>B</sub> <b>ENABLE</b> RX Buffer is enabled



**SGMII PCS Receive Buffer Configuration**

Used to configure the RX buffer operation.

SGMII_PCS_RXB_CFG	Offset	Reset Value
<b>SGMII Receive Buffer Configuration</b>	<b>D402<sub>H</sub></b>	<b>0040<sub>H</sub></b>
15		8
Res		
7	4	3
DLY_RP_RXB		DLY_WP_RXB
rw		rw

Field	Bits	Type	Description
DLY_RP_RXB	7:4	rw	<b>Synch Delay</b> This register is used to configure the value of write pointer at which the Read pointer is released from its reset value of 0. Actual time of first increment is set by internal synch delays.
DLY_WP_RXB	3:0	rw	<b>Initial Delay</b> This register is used to configure the initial delay of the write pointer in the RXB. This delay must be larger than zero to support negative frequency offsets. This delay must be smaller than max to support positive frequency offsets.

**SGMII PCS Receive Buffer Status**

Indicates the status of the RX buffer.

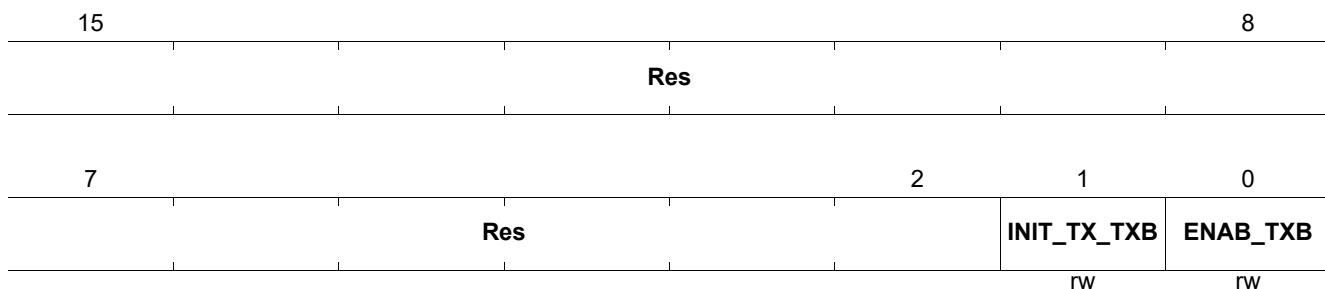
SGMII_PCS_RXB_STAT	Offset	Reset Value
SGMII PCS Receive Buffer Status	D403 <sub>H</sub>	0000 <sub>H</sub>
15		8
Res		
7	2	1 0
Res		UNFL_RXB
		OVFL_RXB
		lhsc lhsc

Field	Bits	Type	Description
UNFL_RXB	1	lhsc	<b>Underflow Indicator</b> 0 <sub>B</sub> <b>NONE</b> Underflow never detected 1 <sub>B</sub> <b>ONCE</b> Underflow occurred at least once
OVFL_RXB	0	lhsc	<b>Overflow Indicator</b> 0 <sub>B</sub> <b>NONE</b> Overflow never detected 1 <sub>B</sub> <b>ONCE</b> Overflow occurred at least once

**SGMII PCS Transmit Buffer Control**

Used to control the TX buffer operation

<b>SGMII_PCS_TXB_CTL</b>	<b>Offset</b>	<b>Reset Value</b>
<b>SGMII PCS Transmit Buffer Control</b>	<b>D404<sub>H</sub></b>	<b>0001<sub>H</sub></b>



Field	Bits	Type	Description
INIT_TX_TXB	1	rw	<b>Initialize TX Buffer</b> Used to reset the TX buffer and associated pointers. 0 <sub>B</sub> <b>NORMAL</b> TXB is normally operating 1 <sub>B</sub> <b>ACTIVE</b> TXB is initialized
ENAB_TXB	0	rw	<b>Enable TX Buffer</b> When this control bit is disabled the TX Buffer is disabled. The current transfer is NOT affected. This bit is used for the clock-gating. 0 <sub>B</sub> <b>DISABLE</b> TX Buffer is disabled 1 <sub>B</sub> <b>ENABLE</b> TX Buffer is enabled

**SGMII PCS Transmit Buffer Configuration**

Used to configure the TX buffer operation.

SGMII_PCS_TXB_CFG	Offset	Reset Value
SGMII PCS Transmit Buffer Configuration	D405 <sub>H</sub>	0040 <sub>H</sub>
15		8
Res		
7	4	3
DLY_RP_TXB		DLY_WP_TX
rw		rw

Field	Bits	Type	Description
DLY_RP_TXB	7:4	rw	<b>Synch Delay</b> This register is used to configure the value of write pointer at which the Read pointer is released from its reset value of 0. Actual time of first increment is set by internal synch delays
DLY_WP_TX	3:0	rw	<b>Initial Delay</b> This register is used to configure the initial delay of the WRITE POINTER in the TXB. This delay must be larger than zero to support negative frequency offsets. This delay must be smaller than max to support positive frequency offsets.

**SGMII PCS Transmit Buffer Status**

Indicates the status of the TX buffer.

SGMII_PCS_TXB_STAT	Offset	Reset Value
SGMII PCS Transmit Buffer Status	D406 <sub>H</sub>	0000 <sub>H</sub>
15		8
Res		
7	2	1 0
Res		UNFL_TX    OVFL_TX
		lhsc          lhsc

Field	Bits	Type	Description
UNFL_TX	1	lhsc	<b>Underflow Indicator</b> 0 <sub>B</sub> <b>NONE</b> Underflow never detected 1 <sub>B</sub> <b>ONCE</b> Underflow occurred at least once
OVFL_TX	0	lhsc	<b>Overflow Indicator</b> 0 <sub>B</sub> <b>NONE</b> Overflow never detected 1 <sub>B</sub> <b>ONCE</b> Overflow occurred at least once

### 4.2.3 SGMII\_PHY: SGMII\_PHY Registers

This section defines all the registers required to operate the SGMII\_PHY module.

#### SGMII PHY Reset

Used to configure SGMII PHY Reset.

SGMII_PHY_RESETN	Offset	Reset Value
SGMII PHY Reset	D000 <sub>H</sub>	0001 <sub>H</sub>
15		8
Res		
7		0
Res		RESET_N
		rwh

Field	Bits	Type	Description
RESET_N	0	rwh	<b>RESET_N</b> Asynchronous active low reset. 0 <sub>B</sub> <b>RESET</b> Reset is triggered. 1 <sub>B</sub> <b>NOT_RESET</b> Reset is not triggered.

**SGMII PHY MPLL CFG1**

Used to configure SGMII PHY MPLL.

SGMII_PHY_MPLL_CFG1	Offset	Reset Value
SGMII PHY MPLL CFG1	D001 <sub>H</sub>	0000 <sub>H</sub>
15	11	10
Res	REF_USE_PA D	Res
	rwh	REF_CLKDIV 2
		rwh
7		1
MPLL_MULTIPLIER		MPLL_EN
	rwh	rwh

Field	Bits	Type	Description
REF_USE_PA D	10	rwh	<b>MPLL Input Clock Mode</b> 0 <sub>B</sub> <b>USE_ALT</b> On chip ALT clock is used as MPLL input clock. 1 <sub>B</sub> <b>USE_EXT_PAD</b> External reference pad clock is used as MPLL input clock.
REF_CLKDIV 2	8	rwh	<b>Input Clock Frequency Division Enable</b> 0 <sub>B</sub> <b>DISABLE</b> Input reference clock frequency divide by 2 is disabled. 1 <sub>B</sub> <b>ENABLE</b> Input reference clock frequency divide by 2 is enabled.
MPLL_MULTI PLIER	7:1	rwh	<b>MPLL Frequency Multiplier</b> MPLL Frequency Multiplier Control
MPLL_EN	0	rwh	<b>MPLL Enable</b> 0 <sub>B</sub> <b>DISABLE</b> MPLL is disabled. 1 <sub>B</sub> <b>ENABLE</b> MPLL is enabled.

**SGMII PHY MPLL CFG2**

Used to configure SGMII PHY MPLL.

SGMII_PHY_MPLL_CFG2	Offset	Reset Value
SGMII PHY MPLL CFG2	D002 <sub>H</sub>	0000 <sub>H</sub>
15		8
	Res	SSC_REF_CLK_SEL
		rwh
7		0
	SSC_REF_CLK_SEL	
		rwh

Field	Bits	Type	Description
SSC_REF_CLK_SEL	8:0	rwh	<b>Spread Spectrum Reference Clock Config</b> Spread Spectrum Reference Clock shifting for non-integer input reference frequencies to MPLL.



**SGMII PHY RX0 CFG1**

Used to configure SGMII PHY Receiver.

SGMII_PHY_RX0_CFG1	Offset	Reset Value
SGMII PHY RX0 CFG1	D003 <sub>H</sub>	0000 <sub>H</sub>
15		8
Res		
7	6	5
4	3	2
1	0	
Res	RX0_RESET	RX0_RATE
	RX0_PLL_EN	RX0_DATA_EN
	RX0_ALIGN_EN	
	rwh	rwh
	rwh	rwh
	rwh	rwh
	rwh	rwh

Field	Bits	Type	Description
RX0_RESET	5	rwh	<b>Active High Receiver Reset</b> 0 <sub>B</sub> <b>NOT_RESET</b> Receiver is not in reset state. 1 <sub>B</sub> <b>RESET</b> Receiver is in reset state.
RX0_RATE	4:3	rwh	<b>RX Data Rate</b> 00 <sub>B</sub> <b>DIV1</b> MPLL_Baud_clk 01 <sub>B</sub> <b>DIV2</b> MPLL_Baud_clk/2 10 <sub>B</sub> <b>DIV4</b> MPLL_Baud_clk/4 11 <sub>B</sub> <b>RES</b> Reserved
RX0_PLL_EN	2	rwh	<b>RX PLL Enable</b> 0 <sub>B</sub> <b>DISABLE</b> RX PLL is disabled. 1 <sub>B</sub> <b>ENABLE</b> RX PLL is enabled.
RX0_DATA_EN	1	rwh	<b>RX Data Enable</b> 0 <sub>B</sub> <b>DISABLE</b> RX Data Enable is disabled. 1 <sub>B</sub> <b>ENABLE</b> RX Data Enable is enabled.
RX0_ALIGN_EN	0	rwh	<b>RX Align Enable</b> 0 <sub>B</sub> <b>DISABLE</b> RX Align Enable is disabled. 1 <sub>B</sub> <b>ENABLE</b> RX Align Enable is enabled.



**SGMII PHY TX0 CFG1**

Used to configure SGMII PHY Transmitter.

SGMII_PHY_TX0_CFG1 SGMII PHY TX0 CFG1	Offset D005 <sub>H</sub>	Reset Value 0000 <sub>H</sub>
15		8
Res		
7	6	5
4	3	2
1	0	
Res	TX0_RESET	TX0_RATE
	TX0_EN	TX0_DATA_EN
		TX0_CM_EN
	rwh	rwh
		rwh
		rwh
		rwh

Field	Bits	Type	Description
TX0_RESET	5	rwh	<b>Active High Transmitter Reset</b> 0 <sub>B</sub> <b>NOT_RESET</b> NO Reset State 1 <sub>B</sub> <b>RESET</b> Reset State
TX0_RATE	4:3	rwh	<b>TX Data Rate</b> 00 <sub>B</sub> <b>DIV1</b> MPLL_Baud_clk 01 <sub>B</sub> <b>DIV2</b> MPLL_Baud_clk/2 10 <sub>B</sub> <b>DIV4</b> MPLL_Baud_clk/4 11 <sub>B</sub> <b>RES</b> Reserved
TX0_EN	2	rwh	<b>TX Enable</b> 0 <sub>B</sub> <b>DISABLE</b> TX is not enabled 1 <sub>B</sub> <b>ENABLE</b> TX is enabled
TX0_DATA_EN	1	rwh	<b>TX Data Enable</b> 0 <sub>B</sub> <b>DISABLE</b> TX data is disabled. 1 <sub>B</sub> <b>ENABLE</b> TX data is enabled.
TX0_CM_EN	0	rwh	<b>TX Common Mode Voltage Enable</b> 0 <sub>B</sub> <b>DISABLE</b> TX Common Mode Voltage is disabled 1 <sub>B</sub> <b>ENABLE</b> TX Common Mode Voltage is enabled

**SGMII PHY TX0 CFG2**

Used to configure SGMII PHY Transmitter.

SGMII_PHY_TX0_CFG2	Offset	Reset Value
SGMII PHY TX0 CFG2	D006 <sub>H</sub>	007F <sub>H</sub>
15	12	11
Res	TX0_TERM_OFFSET	
		rw
7	6	0
TX0_TERM_OFFSET	TX0_AMPLITUDE	
rw		rw

Field	Bits	Type	Description
TX0_TERM_OFFSET	11:7	rw	<b>TX Termination Offset</b> Transmitter Termination Offset
TX0_AMPLITUDE	6:0	rw	<b>TX Amplitude Control</b> Transmitter Amplitude Control

**SGMII PHY TX0 CFG3**

Used to configure SGMII PHY Transmitter.

**SGMII\_PHY\_TX0\_CFG3**
**Offset**
**Reset Value**
**SGMII PHY TX0 CFG3**
**D007<sub>H</sub>**
**0800<sub>H</sub>**

15	13	12	11	9	8
<b>Res</b>		<b>TX0_VBOOST _EN</b>		<b>TX0_VBOOST_LEVEL</b>	<b>TX0_INVERT</b>
		rw		rw	rw
7	6				0
<b>TX0_DETECT _RX_R*</b>			<b>TX0_PREEMPHASIS</b>		
rw			rw		

Field	Bits	Type	Description
TX0_VBOOST _EN	12	rw	<b>TX Vboost Enable</b> 0 <sub>B</sub> <b>DISABLE</b> TX Vboost is disabled. 1 <sub>B</sub> <b>ENABLE</b> TX Vboost is enabled.
TX0_VBOOST _LEVEL	11:9	rw	<b>TX Vboost Level Control</b> 011 <sub>B</sub> <b>Level3</b> Launch amplitude of 0.844 V 100 <sub>B</sub> <b>Level4</b> Launch amplitude of 1.008 V 101 <sub>B</sub> <b>Level5</b> Launch amplitude of 1.156 V
TX0_INVERT	8	rw	<b>TX Data Inversion</b> 0 <sub>B</sub> <b>DISABLE</b> TX Data is NOT inverted. 1 <sub>B</sub> <b>ENABLE</b> TX Data is inverted
TX0_DETECT _RX_REQ	7	rw	<b>Remote Receiver Detection Request Enable</b> 0 <sub>B</sub> <b>DISABLE</b> Remote receiver detection request is disabled 1 <sub>B</sub> <b>ENABLE</b> Remote receiver detection request is enabled (must remain high till rx_detect_ack asserts)
TX0_PREEMP HASIS	6:0	rw	<b>TX Preemphasis Configuration</b> Control Transmitter Preemphasis used by transmitter driver

**SGMII PHY MISC**

Used to configure SGMII PHY.

<b>SGMII_PHY_MISC</b>	<b>Offset</b>	<b>Reset Value</b>
<b>SGMII PHY MISC</b>	<b>D008<sub>H</sub></b>	<b>0254<sub>H</sub></b>

15		11		10		8
<b>Res</b>			<b>LOS_LEVEL</b>			
rw						
7	6	5	3	2	1	0
<b>LOS_LEVEL</b>		<b>LOS_BIAS</b>		<b>LANE_10BIT_SEL</b>	<b>LANE_LOOPBACK_EN</b>	<b>VREG_BYPASS</b>
rw		rw		rw	rw	rw

Field	Bits	Type	Description
LOS_LEVEL	10:6	rw	<b>LOS Sensitivity Level</b> LOSS of Signal Detector Sensitivity Level Control
LOS_BIAS	5:3	rw	<b>LOS Threshold Level</b> LOSS of Signal Detector Threshold Level Control 000 <sub>B</sub> <b>RES</b> Reserved 001 <sub>B</sub> <b>Level1</b> 120 mV 010 <sub>B</sub> <b>Level2</b> 135 mV 011 <sub>B</sub> <b>Level3</b> 150 mV 100 <sub>B</sub> <b>Level4</b> 45 mV 101 <sub>B</sub> <b>Level5</b> 60 mV 110 <sub>B</sub> <b>Level6</b> 75 mV 111 <sub>B</sub> <b>Level7</b> 90 mV
LANE_10BIT_SEL	2	rw	<b>10 Bit Mode Enable</b> 0 <sub>B</sub> <b>DISABLE</b> 10 Bit mode is disabled. 1 <sub>B</sub> <b>ENABLE</b> 10 Bit mode is enabled.
LANE_LOOPBACK_EN	1	rw	<b>TX to RX Loopback Enable</b> 0 <sub>B</sub> <b>DISABLE</b> TX-to-RX Loopback is disabled. 1 <sub>B</sub> <b>ENABLE</b> TX-to-RX Loopback is enabled.
VREG_BYPASS	0	rw	<b>Voltage Regulator Bypass Enable</b> 0 <sub>B</sub> <b>DISABLE</b> 3.3 V Regulator Bypass is disabled. 1 <sub>B</sub> <b>ENABLE</b> 3.3 V Regulator Bypass is enabled. 2.5 V external supply is applied to VDDH.

**SGMII PHY HWBU CTRL**

Used to configure SGMII PHY.

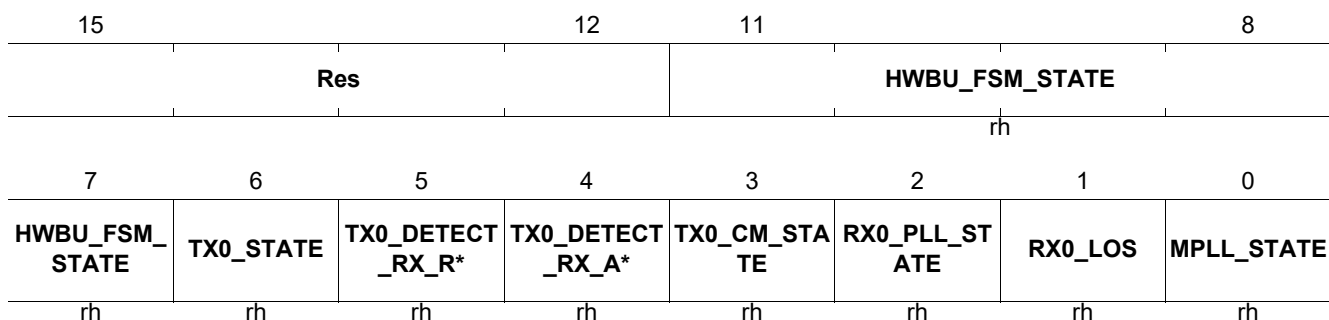
<b>SGMII_PHY_HWBU_CTRL</b>	<b>Offset</b>	<b>Reset Value</b>
<b>SGMII PHY HWBU CTRL</b>	<b>D009<sub>H</sub></b>	<b>0008<sub>H</sub></b>

15							8
Res							
7	5	4	3	2	1	0	
Res		OVEERIDE_H W_FSM*	HW_FSM_EN	EN_LP_FSM	EN_PD_FSM	EN_HWBU_F SM	
		rw	rw	rw	rw	rw	

Field	Bits	Type	Description
OVEERIDE_H W_FSM_EN	4	rw	<b>Hardware Bringup FSM Override Enable</b> 0 <sub>B</sub> <b>DISABLE</b> Hardware bringup FSM override is disabled. Hardware bringup FSM enable is controlled by top level software. 1 <sub>B</sub> <b>ENABLE</b> Hardware bringup FSM override is enabled. Hardware bringup FSM enable is controlled by hardware bringup state machine.
HW_FSM_EN	3	rw	<b>Hardware Bringup FSM Enable</b> 0 <sub>B</sub> <b>DISABLE</b> Bit 0 (SGMII PHY HWBU CTRL.EN_HWBU_FSM) of this register is used as a FSM disable. 1 <sub>B</sub> <b>ENABLE</b> SGMII Macro input pin "en_hwbu_fsm" is used as FSM enable.
EN_LP_FSM	2	rw	<b>Hardware Bringup Low Power FSM Enable</b> 0 <sub>B</sub> <b>DISABLE</b> Hardware bringup low power FSM is disabled. 1 <sub>B</sub> <b>ENABLE</b> Hardware bringup low power FSM is enabled.
EN_PD_FSM	1	rw	<b>Hardware Bringup Power Down FSM Enable</b> 0 <sub>B</sub> <b>DISABLE</b> Hardware bringup power down FSM is disabled. 1 <sub>B</sub> <b>ENABLE</b> Hardware bringup power down FSM is enabled.
EN_HWBU_F SM	0	rw	<b>Hardware Bringup FSM Enable</b> 0 <sub>B</sub> <b>DISABLE</b> Hardware bringup FSM is disabled. 1 <sub>B</sub> <b>ENABLE</b> Hardware bringup FSM is enabled.

**SGMII PHY STATUS**

Used to store SGMII PHY status.

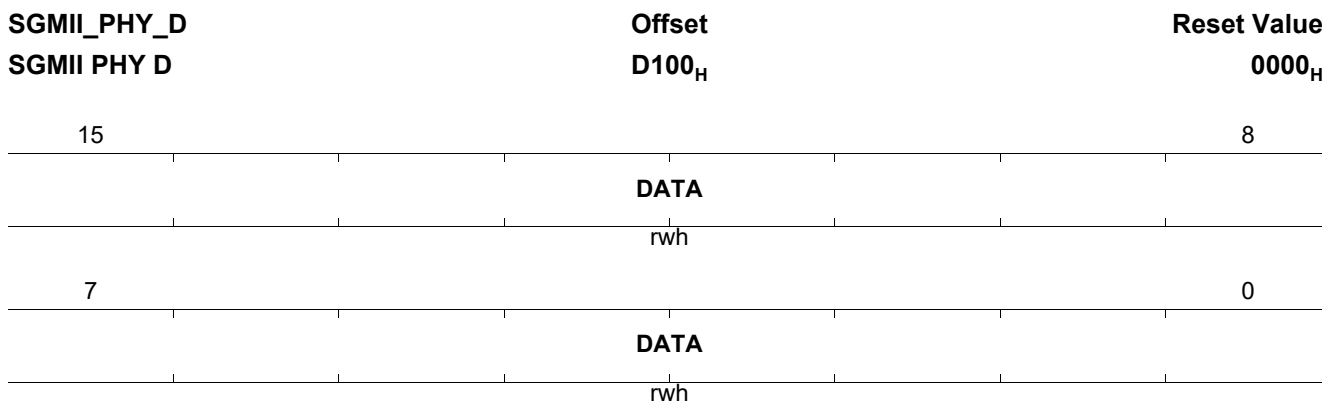
**SGMII\_PHY\_STATUS**
**Offset**
**Reset Value**
**SGMII PHY STATUS**
**D00A<sub>H</sub>**
**0000<sub>H</sub>**


Field	Bits	Type	Description
HWBU_FSM_STATE	11:7	rh	<b>Hardware Bringup FSM State</b> Indicates status of hardware bringup FSM state
TX0_STATE	6	rh	<b>TX State</b> Indicates Transmitter is ready to Sample transmitter clock and data
TX0_DETECT_RX_RESULT	5	rh	<b>Detection of Receiver</b> Indicates detection of receiver result when asserted along with tx0_detect_rx_ack
TX0_DETECT_RX_ACK	4	rh	<b>Detection of Receiver Acknowledgment</b> Indicates detection of receiver acknowledgment.
TX0_CM_STATE	3	rh	<b>TX CM Acknowledgment</b> Indicates acknowledgment to TX CM enable
RX0_PLL_STATE	2	rh	<b>RX PLL State</b> Indicates acknowledgment to RX0 PLL enable
RX0_LOS	1	rh	<b>RX Loss of Signal Status</b> Indicates RX0 loss of signal
MPLL_STATE	0	rh	<b>MPLL State</b> Indicates acknowledgment to MPLL enable



**SGMII PHY D**

Used to configure/store data for read and write transaction.



Field	Bits	Type	Description
DATA	15:0	rwh	<p><b>Data</b></p> <p>When a XAUI control read transaction has completed, the return value may be read from here.</p> <p>When a XAUI control write transaction is to be performed the desired write data must be written here prior to issuing a write via SGMII_PHY_C.</p>

**SGMII PHY A**

Used to configure address for read and write transaction.

SGMII_PHY_A	Offset	Reset Value
SGMII PHY A	D101 <sub>H</sub>	0000 <sub>H</sub>
15		8
ADDRESS		
rw		
7		0
ADDRESS		
rw		

Field	Bits	Type	Description
ADDRESS	15:0	rw	<b>Address</b> When a XAUI control read or write transaction is to be performed, the desired address must be written here. Values written here are available for reading back.

**SGMII PHY C**

Used to configure read and write transaction control

SGMII_PHY_C		Offset	Reset Value		
SGMII PHY C		D102 <sub>H</sub>	1000 <sub>H</sub>		
15	13	12	11	9	8
Res		RESET_N1	Res		ISSUE_WRITE
		rw			rwh
7	5	4	3	1	0
Res		ISSUE_READ	Res		STATUS
		rwh			rh

Field	Bits	Type	Description
RESET_N1	12	rw	<b>Active Low Reset</b> Active low asynchronous reset to PDI2CR statemachine. Write 1b'0 to reset.
ISSUE_WRITE	8	rwh	<b>Start Write Access</b> When written to a one, the XAUI address stored in SGMII_PHY_A is written with the data value stored in SGMII_PHY_D.
ISSUE_READ	4	rwh	<b>Start Read Access</b> When written to a one, the XAUI address stored in SGMII_PHY_A is read from the XAUI module, and the result deposited in SGMII_PHY_D. This bit auto clears.
STATUS	0	rh	<b>Status</b> When a register transaction to the XAUI is initiated, this bit auto clears to 0. When the transaction is completed this register is then set to 1. After initiation of a XAUI read or write, firmware must poll for this bit to be a 1. This bit stays at 1 until reset or until a new transaction is initiated.

**SGMII PHY WATCHDOG CONTROL**

Used to configure watchdog control.

SGMII_PHY_WATCHDOG_CTRL	Offset	Reset Value
SGMII PHY WATCHDOG CONTROL	D111 <sub>H</sub>	0000 <sub>H</sub>
15		8
Res		
7	2	1      0
Res		WATCHDOG_ EN    WATCHDOG_ ERR
		rw                    rh

Field	Bits	Type	Description
WATCHDOG_ EN	1	rw	<b>Watchdog Enable</b> Enable watchdog timer.
WATCHDOG_ ERR	0	rh	<b>Watchdog Error Value</b> Watchdog reset state machine.

**SGMII PHY WATCHDOG TIMER**

Used to configure watchdog timer.

SGMII_PHY_WATCHDOG_TIMER	Offset	Reset Value
SGMII PHY WATCHDOG TIMER	D112 <sub>H</sub>	FFFF <sub>H</sub>
15		8
WATCHDOG_VAL		
rw		
7		0
WATCHDOG_VAL		
rw		

Field	Bits	Type	Description
WATCHDOG_ VAL	15:0	rw	<b>Watchdog Timer Value</b> Watchdog timer value

#### 4.2.4 SGMII\_MACRO\_REGISTERS: SGMII\_MACRO Registers

This section defines all the registers required to operate the SGMII\_MACRO module.<sup>1)</sup>

##### SGMII Macro Reset Control

Hold bits that control top level resets of the macro.

SGMII_MACRO_RESETN	Offset	Reset Value
SGMII Macro Reset Control	D200 <sub>H</sub>	0003 <sub>H</sub>
15		8
Res		
7	2	1 0
	Res	SGMII_PCS_RESETN SGMII_PHY_RESETN
		rw rw

Field	Bits	Type	Description
SGMII_PCS_RESETN	1	rw	<b>SGMII_PCS_RESETN</b> Resets all PCS operations of the SGMII Macro. 0 <sub>B</sub> <b>RESET</b> RESET 1 <sub>B</sub> <b>NOT_RESET</b> NO_RESET
SGMII_PHY_RESETN	0	rw	<b>SGMII_PHY_RESETN</b> Resets all operations related to the SGMII_PHY Macro. 0 <sub>B</sub> <b>RESET</b> RESET 1 <sub>B</sub> <b>NOT_RESET</b> NO_RESET

1) Generated by REFIGE v1.4 - Beta Release XIV

**SGMII Macro SGMII CTRL1**

Used to configure SGMII interface mode.

SGMII_MACRO_SGMII_CTRL1		Offset		Reset Value		
SGMII Macro SGMII CTRL1		D201 <sub>H</sub>		020C <sub>H</sub>		
15	11	10	9	8		
Res			LPI_MODE_A ACTIVE	Res	Q_RVBO	
			rw			
7	6	5	4	3	2	
Q_RVBI	Q_JITE		DISPAR_EN	RX_RD_INITN	TX_RD_INITN	Res
rw	rw		rw	rw	rw	

Field	Bits	Type	Description
LPI_MODE_A ACTIVE	10	rw	<b>LPI Mode Enable</b> 0 <sub>B</sub> <b>DISABLE</b> LPI mode is disabled. 1 <sub>B</sub> <b>ENABLE</b> LPI mode is enabled.
Q_RVBO	8	rw	<b>Reverse Bit Order Output</b> 0 <sub>B</sub> <b>DISABLE</b> Reverse bit order output is disabled. 1 <sub>B</sub> <b>ENABLE</b> Reverse bit order output is enabled.
Q_RVBI	7	rw	<b>Reverse Bit Order Input</b> 0 <sub>B</sub> <b>DISABLE</b> Reverse bit order input is disabled. 1 <sub>B</sub> <b>ENABLE</b> Reverse bit order input is enabled.
Q_JITE	6:5	rw	<b>TX Jitter Test Pattern</b> 00 <sub>B</sub> <b>NO</b> Normal Function 01 <sub>B</sub> <b>HIGH</b> Transmit high frequency test pattern 36A.1 10 <sub>B</sub> <b>LOW</b> Transmit low frequency test pattern 36A.2 11 <sub>B</sub> <b>MIXED</b> Transmit mixed frequency test pattern 36A.3
DISPAR_EN	4	rw	<b>Disparity Enable</b> 0 <sub>B</sub> <b>DISABLE</b> Disparity is disabled. 1 <sub>B</sub> <b>ENABLE</b> Disparity is enabled.
RX_RD_INITN	3	rw	<b>RX Running Disparity</b> 0 <sub>B</sub> <b>INIT0</b> RX Running Disparity is initialized to '0'. 1 <sub>B</sub> <b>INIT1</b> RX Running Disparity is initialized to '1'.
TX_RD_INITN	2	rw	<b>TX Running Disparity</b> 0 <sub>B</sub> <b>INIT0</b> TX Running Disparity is initialized to '0'. 1 <sub>B</sub> <b>INIT1</b> TX Running Disparity is initialized to '1'.

**SGMII Macro Clock Control**

Controls gating of various SGMII macro clocks.

<b>SGMII_MACRO_CLK_CTRL</b>	<b>Offset</b>	<b>Reset Value</b>
<b>SGMII Macro Clock Control</b>	<b>D20F<sub>H</sub></b>	<b>1111<sub>H</sub></b>

15	13	12	11	9	8
Res		<b>GMII_RXCLK_EN</b>		Res	<b>GMII_TXCLK_EN</b>
		rw			rw
7	5	4	3	1	0
Res		<b>XAUI_PHY_RX_CLK*</b>		Res	<b>XAUI_PHY_TX_CLK*</b>
		rw			rw

Field	Bits	Type	Description
GMII_RXCLK_EN	12	rw	<b>GMII RX Clock Enable</b> Enables the GMII RX clock to PCS layer 0 <sub>B</sub> <b>DISABLE</b> RX clock is disabled 1 <sub>B</sub> <b>ENABLE</b> RX clock is enabled
GMII_TXCLK_EN	8	rw	<b>GMII TX Clock Enable</b> Enables the GMII Tx clock to PCS layer 0 <sub>B</sub> <b>DISABLE</b> TX clock is disabled 1 <sub>B</sub> <b>ENABLE</b> TX clock is enabled
XAUI_PHY_RX_CLK_EN	4	rw	<b>PMD/PMA Core's RX Clock Enable</b> Enables the PMD/PMA Core's RX data clock to PCS layer 0 <sub>B</sub> <b>DISABLE</b> RX clock is disabled. 1 <sub>B</sub> <b>ENABLE</b> RX clock is enabled.
XAUI_PHY_TX_CLK_EN	0	rw	<b>PMD/PMA Core's TX Clock Enable</b> Enables the PMD/PMA Core's Tx data clock to PCS layer 0 <sub>B</sub> <b>DISABLE</b> TX clock is disabled. 1 <sub>B</sub> <b>ENABLE</b> TX clock is enabled.

### 4.3 PHY MDIO Registers

This section defines all the registers required to operate the REGISTERS module.<sup>1)</sup>

**Table 62 Registers Address Space**

Module	Base Address	End Address	Note
REGISTERS	00 <sub>H</sub>	60 <sub>H</sub>	

**Table 63 Registers Overview**

Register Short Name	Register Long Name	Offset Address	Reset Value
<b>PHY MDIO Registers, STD: Standard Management Registers</b>			
<b>CTRL</b>	Control	00 <sub>H</sub>	9040 <sub>H</sub>
<b>STAT</b>	Status Registers	01 <sub>H</sub>	7949 <sub>H</sub>
<b>PHYID1</b>	PHY Identifier 1	02 <sub>H</sub>	D565 <sub>H</sub>
<b>PHYID2</b>	PHY Identifier 2	03 <sub>H</sub>	A409 <sub>H</sub>
<b>AN_ADV</b>	Auto-Negotiation Advertisement	04 <sub>H</sub>	01E1 <sub>H</sub>
<b>AN_LPA</b>	Auto-Negotiation Link-Partner Ability	05 <sub>H</sub>	0000 <sub>H</sub>
<b>AN_EXP</b>	Auto-Negotiation Expansion	06 <sub>H</sub>	0004 <sub>H</sub>
<b>AN_NPTX</b>	Auto-Negotiation Next-Page Transmit Register	07 <sub>H</sub>	2001 <sub>H</sub>
<b>AN_NPRX</b>	Auto-Negotiation Link-Partner Received Next-Page Register	08 <sub>H</sub>	2001 <sub>H</sub>
<b>GCTRL</b>	Gigabit Control Register	09 <sub>H</sub>	0300 <sub>H</sub>
<b>GSTAT</b>	Gigabit Status Register	0A <sub>H</sub>	0000 <sub>H</sub>
<b>RES11</b>	Reserved	0B <sub>H</sub>	0000 <sub>H</sub>
<b>RES12</b>	Reserved	0C <sub>H</sub>	0000 <sub>H</sub>
<b>MMDCTRL</b>	MMD Access Control Register	0D <sub>H</sub>	0000 <sub>H</sub>
<b>MMDDATA</b>	MMD Access Data Register	0E <sub>H</sub>	0000 <sub>H</sub>
<b>XSTAT</b>	Extended Status Register	0F <sub>H</sub>	3000 <sub>H</sub>
<b>PHY MDIO Registers, PHY: PHY-Specific Management Registers</b>			
<b>PHYPERF</b>	Physical Layer Performance Status	10 <sub>H</sub>	80FF <sub>H</sub>
<b>PHYSTAT1</b>	Physical Layer Status 1	11 <sub>H</sub>	0000 <sub>H</sub>
<b>PHYSTAT2</b>	Physical Layer Status 2	12 <sub>H</sub>	0000 <sub>H</sub>
<b>PHYCTL1</b>	Physical Layer Control 1	13 <sub>H</sub>	0003 <sub>H</sub>
<b>PHYCTL2</b>	Physical Layer Control 2	14 <sub>H</sub>	8006 <sub>H</sub>
<b>ERRCNT</b>	Error Counter	15 <sub>H</sub>	0000 <sub>H</sub>
<b>MIISTAT</b>	Media-Independent Interface Status	18 <sub>H</sub>	0000 <sub>H</sub>
<b>IMASK</b>	Interrupt Mask Register	19 <sub>H</sub>	0000 <sub>H</sub>
<b>ISTAT</b>	Interrupt Status Register	1A <sub>H</sub>	0000 <sub>H</sub>
<b>LED</b>	LED Control Register	1B <sub>H</sub>	0F00 <sub>H</sub>
<b>TPGCTRL</b>	Test-Packet Generator Control	1C <sub>H</sub>	0000 <sub>H</sub>

1) Generated by REFIGE v1.4 - Beta Release XIV



**Table 63 Registers Overview (cont'd)**

Register Short Name	Register Long Name	Offset Address	Reset Value
<b>TPGDATA</b>	Test-Packet Generator Data	1D <sub>H</sub>	00AA <sub>H</sub>
<b>FWV</b>	Firmware Version Register	1E <sub>H</sub>	8304 <sub>H</sub>
<b>RES1F</b>	Reserved	1F <sub>H</sub>	0000 <sub>H</sub>

The register is addressed wordwise.

**Table 64 Register Access Types**

Mode	Symbol	Internal Hardware Configuration		
		Type	Behavior	Arbitration
Status Register, Latch-High	ROLH	RWRE	AUTO_PDI	CLROR
Status Register, Latch-Low	ROLL	WOR	AUTO_HW	CLROR
Status Register, Self-Clearing	ROSC	WOR	AUTO_PDI	CLROR
Read-Write Register	RW	RWR	AUTO_PDI	-
Read-Write Register, Self-Clearing	RWSC	RWR	AUTO_PDI	CLROR
Status Register	RO	WOR	AUTO_PDI	-

### 4.3.1 STD: Standard Management Registers

This section describes the IEEE 802.3 standard management registers.

#### Control

This register controls the main functions of the PHY. Refer to IEEE 802.3 22.2.4.1.

CTRL		Offset		Reset Value			
Control		00 <sub>H</sub>		9040 <sub>H</sub>			
15	14	13	12	11	10	9	8
<b>RST</b>	<b>LB</b>	<b>SSL</b>	<b>ANEN</b>	<b>PD</b>	<b>ISOL</b>	<b>ANRS</b>	<b>DPLX</b>
rWSC	rW	rW	rW	rW	rW	rWSC	rW
7	6	5					0
<b>COL</b>	<b>SSM</b>			<b>RES</b>			
rW	rW			r0			

Field	Bits	Type	Description
RST	15	RWSC	<b>Reset</b> Resets the PHY to its default state. Active links are terminated. This is a self-clearing bit set to zero by the hardware after reset has been done. Refer to IEEE 802.3 22.2.4.1.1. 0 <sub>B</sub> <b>NORMAL</b> Normal operational mode 1 <sub>B</sub> <b>RESET</b> Resets the device
LB	14	RW	<b>Loopback</b> This mode enables looping back of MII data from the transmit to the receive direction. No data is transmitted to the medium via MDI. The device operates at the selected speed. The collision signal remains de-asserted unless otherwise forced by the collision test. Refer to IEEE 802.8-2008 22.2.4.1.2. 0 <sub>B</sub> <b>NORMAL</b> Normal operational mode 1 <sub>B</sub> <b>ENABLE</b> Closes the loopback from TX to RX at xMII
SSL	13	RW	<b>Forced Speed Selection LSB</b> This bit only takes effect when the auto-negotiation process is disabled, that is, bit CTRL. ANEN is set to zero. This is the LSB (CTRL.SSL) of the forced speed-selection register SS. In conjunction with the MSB (CTRL.SSM), the following encodings are valid: SS=0: 10 Mbps SS=1: 100 Mbps SS=2: 1000 Mbps SS=3: Reserved

Field	Bits	Type	Description
ANEN	12	RW	<b>Auto-Negotiation Enable</b> Allows enabling and disabling of the auto-negotiation process capability of the PHY. When enabled, the force bits for duplex mode (CTRL.DPLX) and the speed selection (CTRL.SSM, CTRL.SSL) become inactive. Otherwise, the force bits define the PHY operation. Refer to IEEE 802.3 22.2.4.1.4. 0 <sub>B</sub> <b>DISABLE</b> Disable the auto-negotiation protocol 1 <sub>B</sub> <b>ENABLE</b> Enable the auto-negotiation protocol
PD	11	RW	<b>Power Down</b> Forces the device into a power-down state where power consumption is the bare minimum required to still maintain the MII management interface communication. When activating the power-down functionality, the PHY terminates active data links. None of the xMII interface work in power-down mode. Refer to IEEE 802.3 22.2.4.1.5. 0 <sub>B</sub> <b>NORMAL</b> Normal operational mode 1 <sub>B</sub> <b>POWERDOWN</b> Forces the device into power-down mode
ISOL	10	RW	<b>Isolation Mode</b> The isolation mode isolates the PHY from the MAC. MAC interface inputs are ignored, whereas MAC interface outputs are set to tristate (high-impedance). Refer to IEEE 802.3 22.2.4.1.6. 0 <sub>B</sub> <b>NORMAL</b> Normal operational mode 1 <sub>B</sub> <b>ISOLATE</b> Isolates the PHY from the MAC
ANRS	9	RWSC	<b>Restart Auto-Negotiation</b> Restarts the auto-negotiation process on the MDI. This bit does not take any effect when auto-negotiation is disabled using (CTRL.ANEN). This bit is self-clearing after the auto-negotiation process is initiated. Refer to IEEE 802.3 22.2.4.1.7. 0 <sub>B</sub> <b>NORMAL</b> Stay in current mode 1 <sub>B</sub> <b>RESTART</b> Restart auto-negotiation
DPLX	8	RW	<b>Forced Duplex Mode</b> This bit only takes effect when the auto-negotiation process is disabled, that is, bit CTRL.ANEN is set to zero. This bit controls the forced duplex mode. It allows forcing of the PHY into full or half-duplex mode. This bit does not take effect in loop-back mode, that is, when bit CTRL.LB is set to one. Refer to IEEE 802.3 22.2.4.1.8. 0 <sub>B</sub> <b>HD</b> Half duplex 1 <sub>B</sub> <b>FD</b> Full duplex
COL	7	RW	<b>Collision Test</b> Allows \$WORKAREA/units/mdio/source testing of the COL signal at the xMII interface. When the collision test is enabled, the state of the TX_EN signal is looped back to the COL signal within a minimum latency time. Refer to IEEE 802.3 22.2.4.1.9. 0 <sub>B</sub> <b>DISABLE</b> Normal operational mode 1 <sub>B</sub> <b>ENABLE</b> Activates the collision test
SSM	6	RW	<b>Forced Speed Selection MSB</b> Refer to the description of SSL. Refer also to IEEE 802.3-2008 22.2.4.1.3.
RES	5:0	RO	<b>Reserved</b> Write as zero, ignore on read.

**Status Registers**

This register contains status and capability information about the device. All bits are read-only. A write access by the MAC does not have any effect. Refer to IEEE 802.3 22.2.4.2.

STAT		Offset		Reset Value			
Status Registers		01 <sub>H</sub>		7949 <sub>H</sub>			
15	14	13	12	11	10	9	8
<b>CBT4</b>	<b>CBTXF</b>	<b>CBTXH</b>	<b>XBTF</b>	<b>XBTH</b>	<b>CBT2F</b>	<b>CBT2H</b>	<b>EXT</b>
ro	ro	ro	ro	ro	ro	ro	ro
7	6	5	4	3	2	1	0
<b>RES</b>	<b>MFPS</b>	<b>ANOK</b>	<b>RF</b>	<b>ANAB</b>	<b>LS</b>	<b>JD</b>	<b>XCAP</b>
ro	ro	ro	rolh	ro	roll	rolh	ro

Field	Bits	Type	Description
CBT4	15	RO	<b>IEEE 100BASE-T4</b> Specifies the 100BASE-T4 ability. Refer to IEEE 802.3 22.2.4.2.1. 0 <sub>B</sub> <b>DISABLED</b> PHY does not support this mode 1 <sub>B</sub> <b>ENABLED</b> PHY supports this mode
CBTXF	14	RO	<b>IEEE 100BASE-TX Full-Duplex</b> Specifies the 100BASE-TX full-duplex ability. Refer to IEEE 802.3 22.2.4.2.2. 0 <sub>B</sub> <b>DISABLED</b> PHY does not support this mode 1 <sub>B</sub> <b>ENABLED</b> PHY supports this mode
CBTXH	13	RO	<b>IEEE 100BASE-TX Half-Duplex</b> Specifies the 100BASE-TX half-duplex ability. Refer to IEEE 802.3 22.2.4.2.3. 0 <sub>B</sub> <b>DISABLED</b> PHY does not support this mode 1 <sub>B</sub> <b>ENABLED</b> PHY supports this mode
XBTF	12	RO	<b>IEEE 10BASE-T Full-Duplex</b> Specifies the 10 BASE-T full-duplex ability. Refer to IEEE 802.3 22.2.4.2.4. 0 <sub>B</sub> <b>DISABLED</b> PHY does not support this mode 1 <sub>B</sub> <b>ENABLED</b> PHY supports this mode
XBTH	11	RO	<b>IEEE 10BASE-T Half-Duplex</b> Specifies the 10BASE-T half-duplex ability. Refer to IEEE 802.3 22.2.4.2.5. 0 <sub>B</sub> <b>DISABLED</b> PHY does not support this mode 1 <sub>B</sub> <b>ENABLED</b> PHY supports this mode
CBT2F	10	RO	<b>IEEE 100BASE-T2 Full-Duplex</b> Specifies the 100BASE-T2 full-duplex ability. Refer to IEEE 802.3 22.2.4.2.6. 0 <sub>B</sub> <b>DISABLED</b> PHY does not support this mode 1 <sub>B</sub> <b>ENABLED</b> PHY supports this mode
CBT2H	9	RO	<b>IEEE 100BASE-T2 Half-Duplex</b> Specifies the 100BASE-T2 half-duplex ability. Refer to IEEE 802.3 22.2.4.2.7. 0 <sub>B</sub> <b>DISABLED</b> PHY does not support this mode 1 <sub>B</sub> <b>ENABLED</b> PHY supports this mode

Field	Bits	Type	Description
EXT	8	RO	<b>Extended Status</b> The extended status registers are used to specify 1000 Mbps speed capabilities in the register XSTAT. Refer to IEEE 802.3 22.2.4.2.16. 0 <sub>B</sub> <b>DISABLED</b> No extended status information available in register 15 1 <sub>B</sub> <b>ENABLED</b> Extended status information available in register 15
RES	7	RO	<b>Reserved</b> Ignore when read.
MFPS	6	RO	<b>Management Preamble Suppression</b> Specifies the MF preamble suppression ability. Refer to IEEE 802.3 22.2.4.2.9. 0 <sub>B</sub> <b>DISABLED</b> PHY requires management frames with preamble 1 <sub>B</sub> <b>ENABLED</b> PHY accepts management frames without preamble
ANOK	5	RO	<b>Auto-Negotiation Completed</b> Indicates whether the auto-negotiation process is completed or in progress. Refer to IEEE 802.3 22.2.4.2.10. 0 <sub>B</sub> <b>RUNNING</b> Auto-negotiation process is in progress 1 <sub>B</sub> <b>COMPLETED</b> Auto-negotiation process is completed
RF	4	ROLH	<b>Remote Fault</b> Indicates the detection of a remote fault event. Refer to IEEE 802.3 22.2.4.2.11. 0 <sub>B</sub> <b>INACTIVE</b> No remote fault condition detected 1 <sub>B</sub> <b>ACTIVE</b> Remote fault condition detected
ANAB	3	RO	<b>Auto-Negotiation Ability</b> Specifies the auto-negotiation ability. Refer to IEEE 802.3 22.2.4.2.12. 0 <sub>B</sub> <b>DISABLED</b> PHY is not able to perform auto-negotiation 1 <sub>B</sub> <b>ENABLED</b> PHY is able to perform auto-negotiation
LS	2	ROLL	<b>Link Status</b> Indicates the link status of the PHY to the link partner. Refer to IEEE 802.3 22.2.4.2.13. 0 <sub>B</sub> <b>INACTIVE</b> The link is down. No communication with link partner possible. 1 <sub>B</sub> <b>ACTIVE</b> The link is up. Data communication with link partner is possible.
JD	1	ROLH	<b>Jabber Detect</b> Indicates that a jabber event has been detected. Refer to IEEE 802.3 22.2.4.2.14. 0 <sub>B</sub> <b>NONE</b> No jabber condition detected 1 <sub>B</sub> <b>DETECTED</b> Jabber condition detected
XCAP	0	RO	<b>Extended Capability</b> Indicates the availability and support of extended capability registers. Refer to IEEE 802.3 22.2.4.2.15. 0 <sub>B</sub> <b>DISABLED</b> Only base registers are supported 1 <sub>B</sub> <b>ENABLED</b> Extended capability registers are supported

**PHY Identifier 1**

This is the first of two PHY identification registers containing the MSBs of a 32-bit code. This code specifies the Organizationally Unique Identifier (OUI), and the vendor model and revision number.

PHYID1	Offset	Reset Value
<b>PHY Identifier 1</b>	<b>02<sub>H</sub></b>	<b>D565<sub>H</sub></b>
15		8
<b>OUI</b>		
ro		
7		0
<b>OUI</b>		
ro		

Field	Bits	Type	Description
OUI	15:0	RO	<b>Organizationally Unique Identifier Bits 3:18</b> This register holds the bits 3:18 of the OUI code for MaxLinear Inc., which is specified to be OUI=AC-9A-96. Refer to IEEE 802.3 22.2.4.3.1.

**PHY Identifier 2**

This is the second of 2 PHY identification registers containing the LSBs of a 32-bit code. This code specifies the Organizationally Unique Identifier (OUI), and the vendor model and revision number. Refer to IEEE 802.3 22.2.4.3.1.

PHYID2	Offset	Reset Value
<b>PHY Identifier 2</b>	<b>03<sub>H</sub></b>	<b>A409<sub>H</sub></b>
15	10	9
		8
<b>OUI</b>		
ro		
<b>LDN</b>		
ro		
7	4	3
		0
<b>LDN</b>		
ro		
<b>LDRN</b>		
ro		

Field	Bits	Type	Description
OUI	15:10	RO	<b>Organizationally Unique Identifier Bits 19:24</b> This register holds the bits 19:24 of the OUI code for MaxLinear Inc., which is specified to be OUI=AC-9A-96.
LDN	9:4	RO	<b>Device Number</b> Specifies the device number to distinguish between several different products.

Field	Bits	Type	Description
LDRN	3:0	RO	<b>Device Revision Number</b> Specifies the device revision number to distinguish between several versions of this device.

**Auto-Negotiation Advertisement**

This register contains the advertised abilities of the PHY during auto-negotiation. Refer also to IEEE 802.3 28.2.4.1.3, as well as IEEE 802.3 Table 28-2.

AN_ADV			Offset	Reset Value
Auto-Negotiation Advertisement			04 <sub>H</sub>	01E1 <sub>H</sub>
15	14	13	12	8
<b>NP</b>	<b>RES</b>	<b>RF</b>		<b>TAF</b>
rw	ro	rw		rw
7		5	4	0
	<b>TAF</b>			<b>SF</b>
	rw			rw

Field	Bits	Type	Description
NP	15	RW	<b>Next Page</b> Next-page indication is encoded in bit AN_ADV.NP regardless of the selector field value or link code word encoding. The PHY always advertises NP when a 1000BASE-T mode is advertised during auto-negotiation. Refer to IEEE 802.3 28.2.1.2.6. 0 <sub>B</sub> <b>INACTIVE</b> No next page(s) follow(s) 1 <sub>B</sub> <b>ACTIVE</b> Additional next page(s) follow(s)
RES	14	RO	<b>Reserved</b> Write as zero, ignore on read.
RF	13	RW	<b>Remote Fault</b> The remote fault bit allows indication of a fault to the link partner. Refer to IEEE 802.3 28.2.1.2.4. 0 <sub>B</sub> <b>NONE</b> No remote fault is indicated 1 <sub>B</sub> <b>FAULT</b> A remote fault is indicated

Field	Bits	Type	Description
TAF	12:5	RW	<p><b>Technology Ability Field</b></p> <p>The technology ability field is an eight-bit wide field containing information indicating supported technologies as defined by the following constants specific to the selector field value. These bits are mapped to individual technologies so that abilities are advertised in parallel for a single selector field value. In converter mode, the field is always forced to value 0x60. The TAF encoding for the IEEE 802.3 selector (AN_ADV.SF=0x1) is described in IEEE 802.3 Annex 28B.2 and in Annex 28D. Refer also to IEEE 802.3 28.2.1.2.2.</p> <p>00000001<sub>B</sub><b>XBT_HDX</b> Advertise 10BASE-T half duplex            00000010<sub>B</sub><b>XBT_FDX</b> Advertise 10BASE-T full duplex            00000100<sub>B</sub><b>DBT_HDX</b> Advertise 100BASE-TX half duplex            00001000<sub>B</sub><b>DBT_FDX</b> Advertise 100BASE-TX full duplex            00010000<sub>B</sub><b>DBT4</b> Advertise 100BASE-T4            00100000<sub>B</sub><b>PS_SYM</b> Advertise symmetric pause            01000000<sub>B</sub><b>PS_ASYM</b> Advertise asymmetric pause            10000000<sub>B</sub><b>RES</b> Reserved for future technologies</p>
SF	4:0	RW	<p><b>Selector Field</b></p> <p>The selector field is a five-bit wide field for encoding 32 possible messages. Selector field encoding definitions are shown in IEEE 802.3 Annex 28A. Combinations not specified are reserved for future use. Reserved combinations of the selector field are not to be transmitted. Refer also to IEEE 802.3 28.2.1.2.1.</p> <p>00001<sub>B</sub><b>IEEE802DOT3</b> Select the IEEE 802.3 technology</p>

### Auto-Negotiation Link-Partner Ability

All of the bits in the auto-negotiation link-partner ability register are read-only. A write to the auto-negotiation link-partner ability register has no effect. This register contains the advertised ability of the link partner. Refer to IEEE 802.3 Tables 28-3 and 28-4. The bit definitions are a direct representation of the received link-code word. Refer to IEEE 802.3 Figure 28-7 and IEEE 802.3 22.2.4.3.3.

AN_LPA			Offset	Reset Value
Auto-Negotiation Link-Partner Ability			05 <sub>H</sub>	0000 <sub>H</sub>
15	14	13	12	8
<b>NP</b>	<b>ACK</b>	<b>RF</b>		<b>TAF</b>
ro	ro	ro		ro
7		5	4	0
	<b>TAF</b>			<b>SF</b>
	ro			ro



Field	Bits	Type	Description
NP	15	RO	<b>Next Page</b> Next-page request indication from the link partner. Refer to IEEE 802.3 28.2.1.2.6. 0 <sub>B</sub> <b>INACTIVE</b> No next page(s) follow (s) 1 <sub>B</sub> <b>ACTIVE</b> Additional next pages follow (s)
ACK	14	RO	<b>Acknowledge</b> Acknowledgment indication from the link partner's link-code word. Refer to IEEE 802.3 28.2.1.2.5. 0 <sub>B</sub> <b>INACTIVE</b> The device did not successfully receive its link partner's link code word 1 <sub>B</sub> <b>ACTIVE</b> The device has successfully received its link partner's link-code word
RF	13	RO	<b>Remote Fault</b> Remote fault indication from the link partner. Refer to IEEE 802.3 28.2.1.2.4. 0 <sub>B</sub> <b>NONE</b> Remote fault is not indicated by the link partner 1 <sub>B</sub> <b>FAULT</b> Remote fault is indicated by the link partner
TAF	12:5	RO	<b>Technology Ability Field</b> Indicates the link-partner capabilities as received from the link partner's link-code word. Refer to IEEE 802.3 28.2.1.2.2.  00000001 <sub>B</sub> <b>XBT_HDX</b> Link partner advertised 10BASE-T half duplex 00000010 <sub>B</sub> <b>XBT_FDX</b> Link partner advertised 10BASE-T full duplex. 00000100 <sub>B</sub> <b>DBT_HDX</b> Link partner advertised 100BASE-TX half duplex 00001000 <sub>B</sub> <b>DBT_FDX</b> Link partner advertised 100BASE-TX full duplex 00010000 <sub>B</sub> <b>DBT4</b> Link partner advertised 100BASE-T4 00100000 <sub>B</sub> <b>PS_SYM</b> Link partner advertised symmetric pause 01000000 <sub>B</sub> <b>PS_ASYM</b> Link partner advertised asymmetric pause 10000000 <sub>B</sub> <b>RES</b> Reserved for future technologies; must be zero
SF	4:0	RO	<b>Selector Field</b> The selector field represents one of the 32 possible messages. It must fit to the advertised selector field in AN_ADV.SF. Selector field encoding definitions are shown in IEEE 802.3 Annex 28A.  00001 <sub>B</sub> <b>IEEE802DOT3</b> Select the IEEE 802.3 technology

**Auto-Negotiation Expansion**

This is the auto-negotiation expansion register indicating the status of the link partner's auto-negotiation. Refer to IEEE 802.3 28.2.4.1.5.

AN_EXP	Offset	Reset Value
Auto-Negotiation Expansion	06 <sub>H</sub>	0004 <sub>H</sub>
15		8
RESD		
ro		
7	5	4
3	2	1
0		
RESD	PDF	LPNPC
NPC	PR	LPANC
ro	rolh	ro
ro	rolh	ro

Field	Bits	Type	Description
RESD	15:5	RO	<b>Reserved</b> Write as zero, ignore on read.
PDF	4	ROLH	<b>Parallel Detection Fault</b> This bit latches high. It is set to zero upon read of AN_EXP. Refer to IEEE 802.3 28.2.4.1.5. 0 <sub>B</sub> <b>NONE</b> A fault has not been detected via the parallel detection function 1 <sub>B</sub> <b>FAULT</b> A fault has been detected via the parallel detection function
LPNPC	3	RO	<b>Link Partner Next-Page Capable</b> Refer to IEEE 802.3 28.2.4.1.5. 0 <sub>B</sub> <b>UNABLE</b> Link partner is unable to exchange next pages 1 <sub>B</sub> <b>CAPABLE</b> Link partner is capable of exchanging next pages
NPC	2	RO	<b>Next-Page Capable</b> Refer to IEEE 802.3 28.2.4.1.5. 0 <sub>B</sub> <b>UNABLE</b> Local Device is unable to exchange next pages 1 <sub>B</sub> <b>CAPABLE</b> Local device is capable of exchanging next pages
PR	1	ROLH	<b>Page Received</b> This bit latches high. It is set to zero upon read of AN_EXP. Refer to IEEE 802.3 28.2.4.1.5. 0 <sub>B</sub> <b>NONE</b> A new page has not been received 1 <sub>B</sub> <b>RECEIVED</b> A new page has been received
LPANC	0	RO	<b>Link Partner Auto-Negotiation Capable</b> Refer to IEEE 802.3 28.2.4.1.5. 0 <sub>B</sub> <b>UNABLE</b> Link partner is unable to auto-negotiate 1 <sub>B</sub> <b>CAPABLE</b> Link partner is auto-negotiation capable

**Auto-Negotiation Next-Page Transmit Register**

The auto-negotiation next-page transmit register contains the next-page link-code word to be transmitted when next-page ability is supported. On power-up, this register contains the default value of 0x2001, which represents a message page with the message code set to the null message. Refer also to IEEE 802.3 28.2.4.1.6.

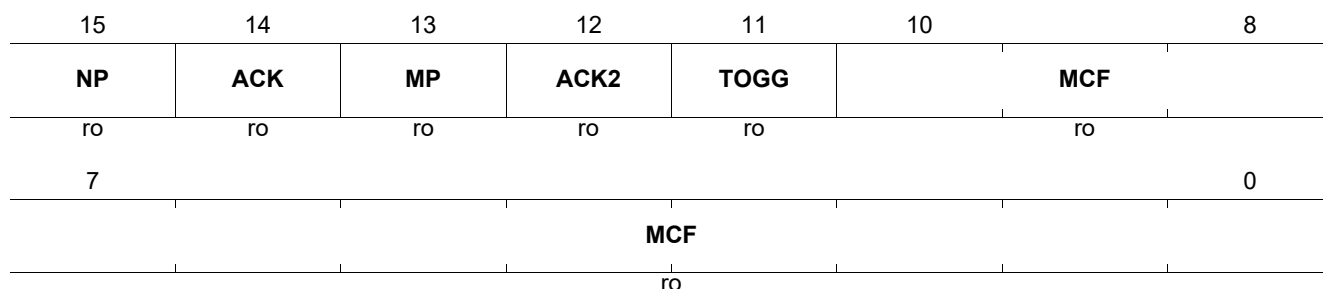
AN_NPTX		Offset		Reset Value		
Auto-Negotiation Next-Page Transmit Register		07 <sub>H</sub>		2001 <sub>H</sub>		
15	14	13	12	11	10	8
<b>NP</b>	<b>RES</b>	<b>MP</b>	<b>ACK2</b>	<b>TOGG</b>	<b>MCF</b>	
rw	ro	rw	rw	ro	rw	
7						0
<b>MCF</b>						
rw						

Field	Bits	Type	Description
NP	15	RW	<b>Next Page</b> Refer to IEEE 802.3 28.2.3.4. 0 <sub>B</sub> <b>INACTIVE</b> Last page 1 <sub>B</sub> <b>ACTIVE</b> Additional next page(s) follow(s)
RES	14	RO	<b>Reserved</b> Write as zeros, ignore on read.
MP	13	RW	<b>Message Page</b> Indicates that the content of MCF is either an unformatted page or a formatted message. Refer to IEEE 802.3 28.2.3.4. 0 <sub>B</sub> <b>UNFOR</b> Unformatted page 1 <sub>B</sub> <b>MESSG</b> Message page
ACK2	12	RW	<b>Acknowledge 2</b> Refer to IEEE 802.3 28.2.3.4. 0 <sub>B</sub> <b>INACTIVE</b> Device cannot comply with message 1 <sub>B</sub> <b>ACTIVE</b> Device complies with message
TOGG	11	RO	<b>Toggle</b> Refer to IEEE 802.3 28.2.3.4. 0 <sub>B</sub> <b>ZERO</b> Previous value of the transmitted link-code word was equal to logic ONE 1 <sub>B</sub> <b>ONE</b> Previous value of the transmitted link-code word was equal to logic ZERO
MCF	10:0	RW	<b>Message or Unformatted Code Field</b> Refer to IEEE 802.3 28.2.3.4.

**Auto-Negotiation Link-Partner Received Next-Page Register**

The auto-negotiation link-partner received next-page register contains the next-page link-code word received from the link partner. Refer to IEEE 802.3 28.2.4.1.7.

<b>AN_NPRX</b>	<b>Offset</b>	<b>Reset Value</b>
<b>Auto-Negotiation Link-Partner Received Next-Page Register</b>	<b>08<sub>H</sub></b>	<b>2001<sub>H</sub></b>



Field	Bits	Type	Description
NP	15	RO	<b>Next Page</b> Refer to IEEE 802.3 28.2.3.4. 0 <sub>B</sub> <b>INACTIVE</b> No next pages to follow 1 <sub>B</sub> <b>ACTIVE</b> Additional next page(s) follow(s)
ACK	14	RO	<b>Acknowledge</b> Refer to IEEE 802.3 28.2.3.4. 0 <sub>B</sub> <b>INACTIVE</b> The device did not successfully receive its link partner's link-code word 1 <sub>B</sub> <b>ACTIVE</b> The device has successfully received its link partner's link-code word
MP	13	RO	<b>Message Page</b> Indicates that the content of MCF is either an unformatted page or a formatted message. Refer to IEEE 802.3 28.2.3.4. 0 <sub>B</sub> <b>UNFOR</b> Unformatted page 1 <sub>B</sub> <b>MESSG</b> Message page
ACK2	12	RO	<b>Acknowledge 2</b> Refer to IEEE 802.3 28.2.3.4. 0 <sub>B</sub> <b>INACTIVE</b> Device cannot comply with message 1 <sub>B</sub> <b>ACTIVE</b> Device complies with message
TOGG	11	RO	<b>Toggle</b> Refer to IEEE 802.3 28.2.3.4. 0 <sub>B</sub> <b>ZERO</b> Previous value of the transmitted link-code word was equal to logic ONE 1 <sub>B</sub> <b>ONE</b> Previous value of the transmitted link-code word was equal to logic ZERO
MCF	10:0	RO	<b>Message or Unformatted Code Field</b> Refer to IEEE 802.3 28.2.3.4.

**Gigabit Control Register**

This is the control register used to configure the Gigabit Ethernet behavior of the PHY. Refer to IEEE 802.3 40.5.1.1.

GCTRL	Offset						Reset Value
Gigabit Control Register	09 <sub>H</sub>						0300 <sub>H</sub>
15	13	12	11	10	9	8	
	<b>TM</b>	<b>MSEN</b>	<b>MS</b>	<b>MSPT</b>	<b>MBTFD</b>	<b>MBTHD</b>	
	rw	rw	rw	rw	rw	rw	
7	<b>RES</b>						0
	ro						

Field	Bits	Type	Description
TM	15:13	RW	<b>Transmitter Test Mode</b> This register field allows enabling of the standard transmitter test modes. Refer also to IEEE 802.3-2008 Table 40-7.  000 <sub>B</sub> <b>NOP</b> Normal operation 001 <sub>B</sub> <b>WAV</b> Test mode 1 transmit waveform test 010 <sub>B</sub> <b>JITM</b> Test mode 2 transmit jitter test in MASTER mode 011 <sub>B</sub> <b>JITS</b> Test mode 3 transmit jitter test in SLAVE mode 100 <sub>B</sub> <b>DIST</b> Test mode 4 transmitter distortion test 101 <sub>B</sub> <b>RES0</b> Reserved, operations not identified. 110 <sub>B</sub> <b>CDIAG</b> Cable diagnostics. 111 <sub>B</sub> <b>ABIST</b> Analog build in self-test
MSEN	12	RW	<b>Master/Slave Manual Configuration Enable</b> Refer also to IEEE 802.3-2008 40.5.1.1. 0 <sub>B</sub> <b>DISABLED</b> Disable master/slave manual configuration value 1 <sub>B</sub> <b>ENABLED</b> Enable master/slave manual configuration value
MS	11	RW	<b>Master/Slave Config Value</b> Allows forcing of master or slave mode manually when AN_GCTRL.MSEN is set to logical one. Refer also to IEEE 802.3-2008 40.5.1.1. 0 <sub>B</sub> <b>SLAVE</b> Configure PHY as SLAVE during master/slave negotiation, only when AN_GCTRL.MSEN is set to logical one 1 <sub>B</sub> <b>MASTER</b> Configure PHY as MASTER during master/slave negotiation, only when AN_GCTRL.MSEN is set to logical one
MSPT	10	RW	<b>Master/Slave Port Type</b> Defines whether the PHY advertises itself as a multi- or single-port device, which in turn impacts the master/slave resolution function. Refer also to IEEE 802.3-2008 40.5.1.1. 0 <sub>B</sub> <b>SPD</b> Single-port device 1 <sub>B</sub> <b>MPD</b> Multi-port device

Field	Bits	Type	Description
MBTFD	9	RW	<b>1000BASE-T Full-Duplex</b> Advertises the 1000BASE-T full-duplex capability; always forced to 1 in converter mode. Refer also to IEEE 802.3 40.5.1.1. 0 <sub>B</sub> <b>DISABLED</b> Advertise PHY as not 1000BASE-T full-duplex capable 1 <sub>B</sub> <b>ENABLED</b> Advertise PHY as 1000BASE-T full-duplex capable
MBTHD	8	RW	<b>1000BASE-T Half-Duplex</b> Advertises the 1000BASE-T half-duplex capability; always forced to 1 in converter mode. Refer to IEEE 802.3 40.5.1.1. 0 <sub>B</sub> <b>DISABLED</b> Advertise PHY as not 1000BASE-T half-duplex capable 1 <sub>B</sub> <b>ENABLED</b> Advertise PHY as 1000BASE-T half-duplex capable
RES	7:0	RO	<b>Reserved</b> Write as zero, ignore on read.

**Gigabit Status Register**

This is the status register used to reflect the Gigabit Ethernet status of the PHY. Refer also to IEEE 802.3-2008 40.5.1.1.

GSTAT							Offset	Reset Value
Gigabit Status Register							0A <sub>H</sub>	0000 <sub>H</sub>
15	14	13	12	11	10	9	8	
<b>MSFAULT</b>	<b>MSRES</b>	<b>LRXSTAT</b>	<b>RRXSTAT</b>	<b>MBTFD</b>	<b>MBTHD</b>	<b>RES</b>		
rolh	ro	ro	ro	ro	ro	ro		
7							0	
							<b>IEC</b>	
							rosc	

Field	Bits	Type	Description
MSFAULT	15	ROLH	<b>Master/Slave Manual Configuration Fault</b> This is a latching high bit. It is cleared upon each read of GSTAT. This bit self clears on auto-negotiation enable or auto-negotiation complete. This bit is set to active high when the number of failed master/slave resolutions reaches 7. Refer also to IEEE 802.3-2008 40.5.1.1 register 10 in Table 40-3. 0 <sub>B</sub> <b>OK</b> Master/slave manual configuration resolved successfully 1 <sub>B</sub> <b>NOK</b> Master/slave manual configuration resolved with a fault
MSRES	14	RO	<b>Master/Slave Configuration Resolution</b> Refer to IEEE 802.3 40.5.1.1 register 10 in Table 40-3. 0 <sub>B</sub> <b>SLAVE</b> Local PHY configuration resolved to SLAVE 1 <sub>B</sub> <b>MASTER</b> Local PHY configuration resolved to MASTER

Field	Bits	Type	Description
LRXSTAT	13	RO	<b>Local Receiver Status</b> Indicates the status of the local receiver. Refer also to IEEE 802.3-2008 40.5.1.1 register 10 in Table 40-3. 0 <sub>B</sub> <b>NOK</b> Local receiver not OK 1 <sub>B</sub> <b>OK</b> Local receiver OK
RRXSTAT	12	RO	<b>Remote Receiver Status</b> Indicates the status of the remote receiver. Refer also to IEEE 802.3-2008 40.5.1.1 register 10 in Table 40-3. <b>Constants</b> 0 <sub>B</sub> <b>NOK</b> Remote receiver not OK 1 <sub>B</sub> <b>OK</b> Remote receiver OK
MBTFD	11	RO	<b>Link-Partner Capable of Operating 1000BASE-T Full-Duplex</b> Refer also to IEEE 802.3-2008 40.5.1.1 register 10 in Table 40-3. <b>Constants</b> 0 <sub>B</sub> <b>DISABLED</b> Link partner is not capable of operating 1000BASE-T full-duplex 1 <sub>B</sub> <b>ENABLED</b> Link partner is capable of operating 1000BASE-T full-duplex
MBTHD	10	RO	<b>Link-Partner Capable of Operating 1000BASE-T Half-Duplex</b> Refer also to IEEE 802.3-2008 40.5.1.1 register 10 in Table 40-3. <b>Constants</b> 0 <sub>B</sub> <b>DISABLED</b> Link partner is not capable of operating 1000BASE-T half-duplex 1 <sub>B</sub> <b>ENABLED</b> Link partner is capable of operating 1000BASE-T half-duplex
RES	9:8	RO	<b>Reserved</b> Write as zero, ignore on read.
IEC	7:0	ROSC	<b>Idle Error Count</b> Indicates the idle error count. This field contains a cumulative count of the errors detected when the receiver is receiving idles and PMA_TXMODE. Indicate is equal to SEND_N (indicating that both local and remote receiver status have been detected to be OK). The counter is incremented every symbol period that rxerror_status is equal to ERROR. These bits are reset to all zeros when the GSTAT register is read by the management function or upon execution of the PCS reset function, and are to be held at all ones in case of overflow.

**Reserved**

Reserved. In IEEE 802.3-2008, this register is used for Power-Sourcing-Equipment (PSE) control functions. Refer to IEEE 802.3-2008 33.6.1.1. These are not supported by this PHY.

RES11	Offset	Reset Value
Reserved	0B <sub>H</sub>	0000 <sub>H</sub>
15		8
	RES	
	ro	
7		0
	RES	
	ro	

Field	Bits	Type	Description
RES	15:0	RO	<b>Reserved</b> Write as zero, ignored on read.

**Reserved**

Reserved. In IEEE 802.3-2008, this register is used for Power-Sourcing-Equipment (PSE) status functions. Refer to IEEE 802.3-2008 33.6.1.2. These are not supported by this PHY.

RES12	Offset	Reset Value
Reserved	0C <sub>H</sub>	0000 <sub>H</sub>
15		8
	RES	
	ro	
7		0
	RES	
	ro	

Field	Bits	Type	Description
RES	15:0	RO	<b>Reserved</b> Write as zero, ignored on read.



**MMD Access Control Register**

The MMD access control register is used in conjunction with the MMDDATA register to access the MMD register space. Each MMD maintains its own individual address register, as described in IEEE 802.3-2008 clause 45.2.8. The DEVAD field directs any accesses of register MMDDATA to the appropriate MMD as described in IEEE 802.3-2008 clause 45.2. For additional insight into the operation and use of the MMD registers, refer to IEEE 802.3-2008 clause 22.2.4.3.11, Annex 22D and clause 45.2.

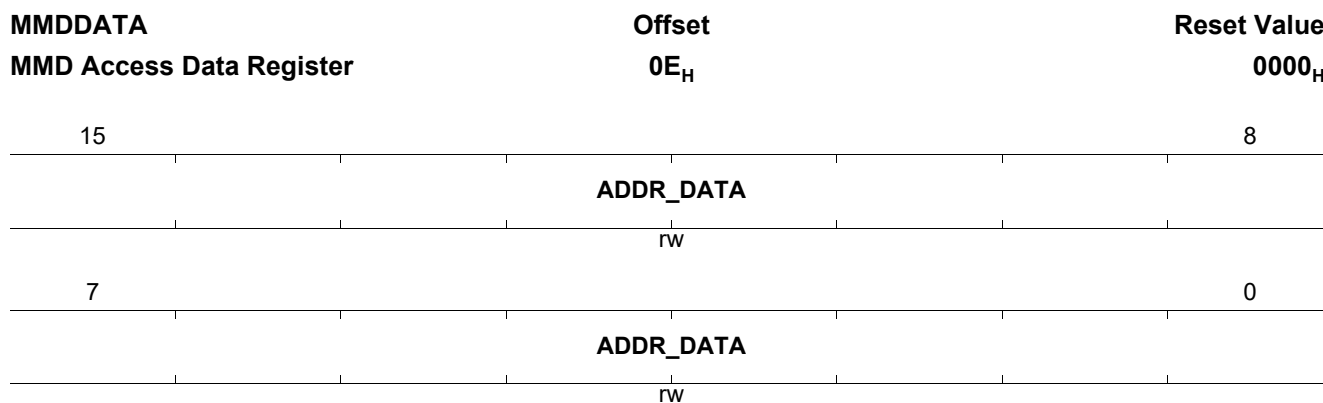
MMDCTRL	Offset	Reset Value
MMD Access Control Register	0D <sub>H</sub>	0000 <sub>H</sub>
15	14	13
ACTYPE		RESH
rw		ro
7	5	4
RESL		DEVAD
ro		rw
		8

Field	Bits	Type	Description
ACTYPE	15:14	RW	<b>Access Type Function</b> When the access of register MMDDATA is an address access (ACTYPE=0) then it is directed to the address register within the MMD associated with the value in the DEVAD field. Otherwise, both the DEVAD field and the MMD's address register direct the register MMDDATA data accesses to the appropriate registers within that MMD. The function field can be set to any of the constants defined (ADDRESS, DATA, DATA_PI, DATA_PIWR).  00 <sub>B</sub> <b>ADDRESS</b> Accesses to register MMDDATA access the MMD individual address register 01 <sub>B</sub> <b>DATA</b> Accesses to register MMDDATA access the register within the MMD selected by the value in the MMD address register 10 <sub>B</sub> <b>DATA_PI</b> Accesses to register MMDDATA access the register within the MMD selected by the value in the MMD address register. After this access is complete, for both read and write accesses, the value in the MMD address field is incremented. 11 <sub>B</sub> <b>DATA_PIWR</b> Accesses to register MMDDATA access the register within the MMD selected by the value in the MMD address register. After this access is complete, for write accesses only, the value in the MMD address field is incremented. For read accesses, the value in the MMD address field is not modified.
RESH	13:8	RO	<b>Reserved</b> Write as zero, ignored on read.
RESL	7:5	RO	<b>Reserved</b> Write as zero, ignored on read.

Field	Bits	Type	Description
DEVAD	4:0	RW	<b>Device Address</b> The DEVAD field directs any accesses of register MMDDATA to the appropriate MMD as described in IEEE 802.3-2008 clause 45.2.

**MMD Access Data Register**

The MMD access data register is used in conjunction with the MMD access control (MMDCTRL) register to access the MMD register space. For more information on MMD access, refer to IEEE 802.3-2008 clause 22.2.4.3.12, clause 45.2 and Annex 22D.



Field	Bits	Type	Description
ADDR_DATA	15:0	RW	<b>Address or Data Register</b> This register accesses either a specific MMD address register or the data content of the MMD register to which this address register points. Which of the functions is currently valid is defined by the MMDCTRL register.

**Extended Status Register**

This register contains extended status and capability information about the PHY. All bits are read-only. A write access does not have any effect.

<b>XSTAT</b>		<b>Offset</b>		<b>Reset Value</b>	
<b>Extended Status Register</b>		<b>0F<sub>H</sub></b>		<b>3000<sub>H</sub></b>	
15	14	13	12	11	8
<b>MBXF</b>	<b>MBXH</b>	<b>MBTF</b>	<b>MBTH</b>		<b>RESH</b>
ro	ro	ro	ro		ro
7					0
			<b>RESL</b>		
			ro		

<b>Field</b>	<b>Bits</b>	<b>Type</b>	<b>Description</b>
MBXF	15	RO	<b>1000BASE-X Full-Duplex Capability</b> Specifies whether the PHY is capable of operating 1000BASE-X full-duplex. 0 <sub>B</sub> <b>DISABLED</b> PHY does not support this mode 1 <sub>B</sub> <b>ENABLED</b> PHY supports this mode
MBXH	14	RO	<b>1000BASE-X Half-Duplex Capability</b> Specifies whether the PHY is capable of operating 1000BASE-X half-duplex. 0 <sub>B</sub> <b>DISABLED</b> PHY does not support this mode 1 <sub>B</sub> <b>ENABLED</b> PHY supports this mode
MBTF	13	RO	<b>1000BASE-T Full-Duplex Capability</b> Specifies whether the PHY is capable of operating 1000BASE-T full-duplex. 0 <sub>B</sub> <b>DISABLED</b> PHY does not support this mode 1 <sub>B</sub> <b>ENABLED</b> PHY supports this mode
MBTH	12	RO	<b>1000BASE-T Half-Duplex Capability</b> Specifies whether the PHY is capable of operating 1000BASE-T full-duplex. 0 <sub>B</sub> <b>DISABLED</b> PHY does not support this mode 1 <sub>B</sub> <b>ENABLED</b> PHY supports this mode
RESH	11:8	RO	<b>Reserved</b> Ignore when read.
RESL	7:0	RO	<b>Reserved</b> Ignore when read.

### 4.3.2 PHY: PHY-Specific Management Registers

This section describes the PHY-specific management registers.

#### Physical Layer Performance Status

This register reports the PHY performance in the current mode of operation. The content of this register is only valid when the link is up.

PHYPERF	Offset	Reset Value
Physical Layer Performance Status	10 <sub>H</sub>	80FF <sub>H</sub>
15		8
FREQ		
	ro	
7	4	3
	ro	ro
	SNR	LEN
	ro	ro

Field	Bits	Type	Description
FREQ	15:8	RO	<b>Frequency Offset of Link-Partner [ppm]</b> This register fields reports the measured frequency offset of the receiver in ppm as a signed 2's complement number. A value of -128 (0x80) indicates an invalid number.
SNR	7:4	RO	<b>Receive SNR Margin [dB]</b> This register field reports the measured SNR margin of the receiver in dB. The value saturates at a 14-dB SNR margin for very short links and 0 dB for very long links. A value of 15 indicates an invalid number. 1111 <sub>B</sub> <b>INVALID</b> Invalid value
LEN	3:0	RO	<b>Estimated Loop Length (Valid During Link-Up)</b> This register field reports the estimated loop length compared to a virtually ideal CAT5e straight cable. The unit is LEN x 10m. A value of 15 indicates an invalid number.

**Physical Layer Status 1**

This register reports PHY lock information, for example link-up, polarity reversals and port mapping. The content of this register is only valid when the link is up.

PHYSTAT1							Offset	Reset Value
Physical Layer Status 1							11 <sub>H</sub>	0000 <sub>H</sub>
							9	8
RESH							LSADS	
ro							rosc	
7	6	5	4	3	2	1	0	
POLD	POLC	POLB	POLA	MDICD	MDIAB	RESL		
ro	ro	ro	ro	ro	ro	ro		

Field	Bits	Type	Description
RESH	15:9	RO	<b>Reserved</b> Write as zero, ignored on read.
LSADS	8	ROSC	<b>Link-Speed Auto-Downspeed Status</b> Monitors the status of the link speed auto-downspeed controlled in PHYCTL1.LDADS 0 <sub>B</sub> <b>NORMAL</b> Did not perform any link speed auto-downspeed 1 <sub>B</sub> <b>DETECTED</b> Detected an auto-downspeed
POLD	7	RO	<b>Receive Polarity Inversion Status on Port D</b> 0 <sub>B</sub> <b>NORMAL</b> Polarity normal 1 <sub>B</sub> <b>INVERTED</b> Polarity inversion detected
POLC	6	RO	<b>Receive Polarity Inversion Status on Port C</b> 0 <sub>B</sub> <b>NORMAL</b> Polarity normal 1 <sub>B</sub> <b>INVERTED</b> Polarity inversion detected
POLB	5	RO	<b>Receive Polarity Inversion Status on Port B</b> 0 <sub>B</sub> <b>NORMAL</b> Polarity normal 1 <sub>B</sub> <b>INVERTED</b> Polarity inversion detected
POLA	4	RO	<b>Receive Polarity Inversion Status on Port A</b> 0 <sub>B</sub> <b>NORMAL</b> Polarity normal 1 <sub>B</sub> <b>INVERTED</b> Polarity inversion detected
MDICD	3	RO	<b>Mapping of MDI Ports C and D</b> 0 <sub>B</sub> <b>MDI</b> Normal MDI mode 1 <sub>B</sub> <b>MDIX</b> Crossover MDI-X mode
MDIAB	2	RO	<b>Mapping of MDI Ports A and B</b> 0 <sub>B</sub> <b>MDI</b> Normal MDI mode 1 <sub>B</sub> <b>MDIX</b> Crossover MDI-X mode
RESL	1:0	RO	<b>Reserved</b> Write as zero, ignored on read.

**Physical Layer Status 2**

This register reports PHY lock information, for example, pair skews in the GbE mode. The content of this register is only valid when the link is up.

PHYSTAT2		Offset		Reset Value	
Physical Layer Status 2		12 <sub>H</sub>		0000 <sub>H</sub>	
15	14	12	11	10	8
<b>RESD</b>	<b>SKEWD</b>	<b>RESC</b>	<b>SKEWC</b>		
ro	ro	ro	ro		
7	6	4	3	2	0
<b>RESB</b>	<b>SKEWB</b>	<b>RESA</b>	<b>SKEWA</b>		
ro	ro	ro	ro		

Field	Bits	Type	Description
RESD	15	RO	<b>Reserved</b> Write as zero, ignored on read.
SKEWD	14:12	RO	<b>Receive Skew on Port D</b> The skew is reported as an unsigned number of symbol periods.
RESC	11	RO	<b>Reserved</b> Write as zero, ignored on read.
SKEWC	10:8	RO	<b>Receive Skew on Port C</b> The skew is reported as an unsigned number of symbol periods.
RESB	7	RO	<b>Reserved</b> Write as zero, ignored on read.
SKEWB	6:4	RO	<b>Receive Skew on Port B</b> The skew is reported as an unsigned number of symbol periods.
RESA	3	RO	<b>Reserved</b> Write as zero, ignored on read.
SKEWA	2:0	RO	<b>Receive Skew on Port A</b> The skew is reported as an unsigned number of symbol periods.

**Physical Layer Control 1**

This register controls the PHY functions.

PHYCTL1		Offset		Reset Value			
Physical Layer Control 1		13 <sub>H</sub>		0003 <sub>H</sub>			
15	13	12	11	8			
TLOOP		TXOFF	TXADJ				
rw		rw	rw				
7	6	5	4	3	2	1	0
POLD	POLC	POLB	POLA	MDICD	MDIAB	TXEEE10	AMDIX
rw	rw	rw	rw	rw	rw	ro	rw

Field	Bits	Type	Description
TLOOP	15:13	RW	<b>Test Loop</b> Configures predefined test loops. 000 <sub>B</sub> <b>OFF</b> Test loops are switched off - normal operation. 001 <sub>B</sub> <b>NETL</b> Near-end test loop 010 <sub>B</sub> <b>FETL</b> Far-end test loop 011 <sub>B</sub> <b>ECHO</b> Echo test loop 100 <sub>B</sub> <b>RJTL</b> RL45 connector test loop 101 <sub>B</sub> <b>FETLS</b> Standalone Far-end test loop. No dependency on TX_CLK and RX_CLK on the (G)MII interface
TXOFF	12	RW	<b>Transmitter Off</b> This register bit allows turning off of the transmitter. This feature might be useful for return loss measurements. 0 <sub>B</sub> <b>ON</b> Transmitter is on 1 <sub>B</sub> <b>OFF</b> Transmitter is off
TXADJ	11:8	RW	<b>Transmit Level Adjustment</b> Transmit-level adjustment can be used to fine tune the transmit amplitude of the PHY. The amplitude adjustment is valid for all supported speed modes. The adjustment is performed in digits. One digit represents 3.125 percent of the nominal amplitude. The scaling factor is $gain = 1 + signed(TXADJ) * 2^{-7}$ .
POLD	7	RW	<b>Transmit Polarity Inversion Status on Port D</b> 0 <sub>B</sub> <b>NORMAL</b> Polarity normal 1 <sub>B</sub> <b>INVERTED</b> Polarity inversion
POLC	6	RW	<b>Transmit Polarity Inversion Status on Port C</b> 0 <sub>B</sub> <b>NORMAL</b> Polarity normal 1 <sub>B</sub> <b>INVERTED</b> Polarity inversion
POLB	5	RW	<b>Transmit Polarity Inversion Control on Port B</b> 0 <sub>B</sub> <b>NORMAL</b> Polarity normal 1 <sub>B</sub> <b>INVERTED</b> Polarity inversion

Field	Bits	Type	Description
POLA	4	RW	<b>Transmit Polarity Inversion Control on Port A</b> 0 <sub>B</sub> <b>NORMAL</b> Polarity normal 1 <sub>B</sub> <b>INVERTED</b> Polarity inversion
MDICD	3	RW	<b>Mapping of MDI Ports C and D</b> 0 <sub>B</sub> <b>MDI</b> Normal MDI mode 1 <sub>B</sub> <b>MDIX</b> Crossover MDI-X mode
MDIAB	2	RW	<b>Mapping of MDI Ports A and B</b> 0 <sub>B</sub> <b>MDI</b> Normal MDI mode 1 <sub>B</sub> <b>MDIX</b> Crossover MDI-X mode
TXEEE10	1	RO	<b>Transmit Energy-Efficient Ethernet 10BASE-Te Amplitude</b> This register bit allows enabling of the 10BASE-Te energy-efficient mode transmitting only with a 1.75 V nominal amplitude. 0 <sub>B</sub> <b>DISABLED</b> Transmit the 10Base-T amplitude, that is, 2.3 V 1 <sub>B</sub> <b>ENABLED</b> Transmit the 10BASE-Te amplitude, that is, 1.75 V
AMDIX	0	RW	<b>PHY Performs Auto-MDI/MDI-X or Uses Manual MDI/MDI-X</b> 0 <sub>B</sub> <b>MANUAL</b> PHY uses manual MDI/MDI-X 1 <sub>B</sub> <b>AUTO</b> PHY performs Auto-MDI/MDI-X

### Physical Layer Control 2

This register controls the PHY functions.

PHYCTL2		Offset	Reset Value			
Physical Layer Control 2		14 <sub>H</sub>	8006 <sub>H</sub>			
15	14	13	9	8		
<b>LSADS</b>		<b>RESH</b>		<b>STICKY</b>		
rw		ro		rw		
7	5	4	3	2	1	0
<b>RESL</b>		<b>ADCR</b>		<b>PSCL</b>	<b>ANPD</b>	<b>Res</b>
ro		rw		rw	rw	

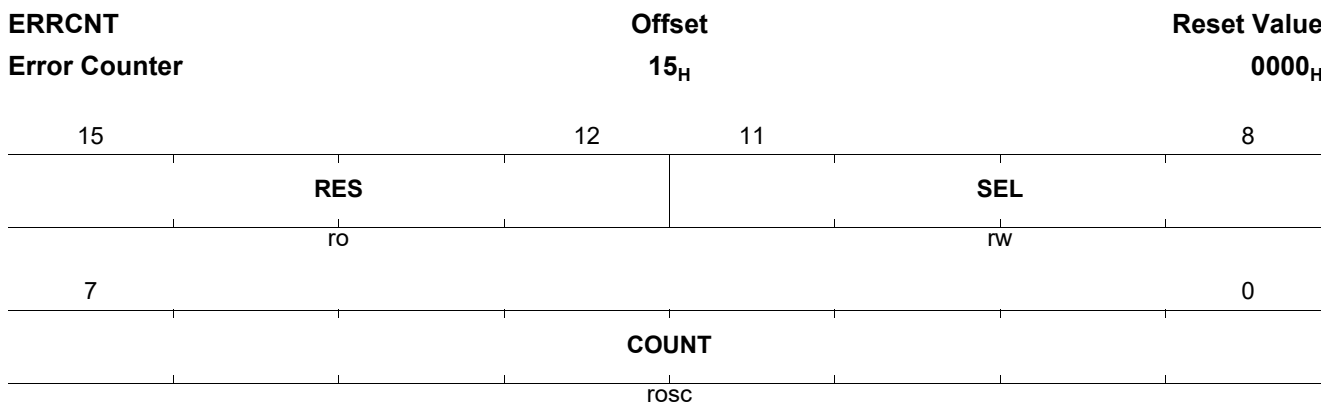
Field	Bits	Type	Description
LSADS	15:14	RW	<b>Link Speed Auto-Downspeed Control Register</b> Link speed auto-downspeed is a functionality which allows an Ethernet link to be established even in non-standard harsh cable environments. <b>Constants applicable for PEB7085M, GSW140A3MC devices</b> 00 <sub>B</sub> <b>ADS1</b> Do not perform auto-downspeed of link speed 01 <sub>B</sub> <b>ADS2</b> Perform auto-downspeed of link speed after 4 consecutive failed link-ups. 10 <sub>B</sub> <b>ADS3</b> Perform auto-downspeed of link speed after 6 consecutive failed link-ups. 11 <sub>B</sub> <b>ADS4</b> Perform auto-downspeed of link speed after 8 consecutive failed link-ups.



<b>Field</b>	<b>Bits</b>	<b>Type</b>	<b>Description</b>
RESH	13:9	RO	<b>Reserved</b> Write as zero, ignored on read.
STICKY	8	RW	<b>Sticky-Bit Handling</b> Allows enabling/disabling of the sticky-bit handling for all PHY-specific MDIO register bits of type RW, except for the TPGCTRL register. This means that the current content of these registers is left untouched during a software reset when sticky-bit handling is enabled. 0 <sub>B</sub> <b>OFF</b> Sticky-bit handling is disabled 1 <sub>B</sub> <b>ON</b> Sticky-bit handling is enabled
RESL	7:5	RO	<b>Reserved</b> Write as zero, ignored on read.
ADCR	4:3	RW	<b>ADC Resolution Boost</b> Allows for the ADC resolution to be increased. 00 <sub>B</sub> <b>DEFAULT</b> Default ADC resolution. 01 <sub>B</sub> <b>BOOST</b> ADC resolution boost.
PSCL	2	RW	<b>Power-Consumption Scaling Depending on Link Quality</b> Allows enabling/disabling of the power-consumption scaling dependent on the link quality. 0 <sub>B</sub> <b>OFF</b> PSCL is disabled 1 <sub>B</sub> <b>ON</b> PSCL is enabled
ANPD	1	RW	<b>Auto-Negotiation Power Down</b> Allows enabling/disabling of the power-down modes during auto-negotiation looking for a link partner. 0 <sub>B</sub> <b>OFF</b> ANPD is disabled 1 <sub>B</sub> <b>ON</b> ANPD is enabled

**Error Counter**

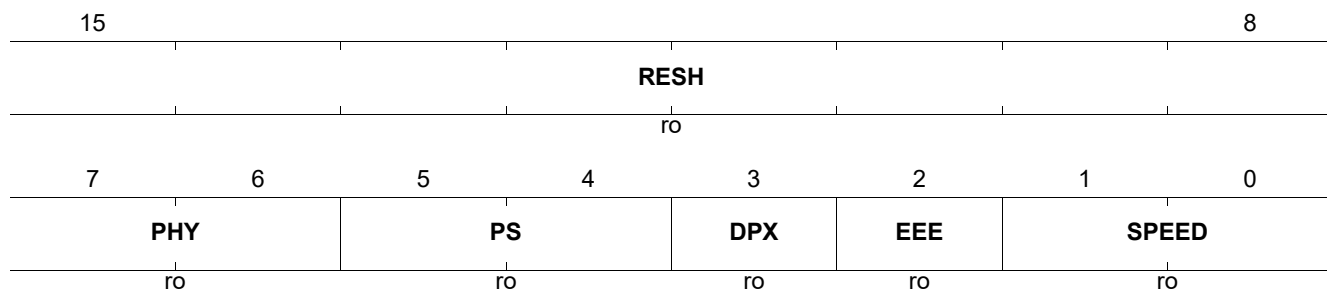
This register controls the error counter. It allows the number of errors detected in the PHY to be counted for monitoring purposes.



Field	Bits	Type	Description
RES	15:12	RO	<b>Reserved</b> Write as zero, ignored on read.
SEL	11:8	RW	<b>Select Error Event</b> Configures the error/event to which the error counter is sensitive. 0000 <sub>B</sub> <b>RXERR</b> Receive errors are counted 0001 <sub>B</sub> <b>RXACT</b> Receive frames are counted 0010 <sub>B</sub> <b>ESDERR</b> ESD errors are counted 0011 <sub>B</sub> <b>SSDERR</b> SSD errors are counted 0100 <sub>B</sub> <b>TXERR</b> Transmit errors are counted 0101 <sub>B</sub> <b>TXACT</b> Transmit frames events get counted 0110 <sub>B</sub> <b>COL</b> Collision events get counted 1000 <sub>B</sub> <b>NLD</b> Number of Link Down get counted 1001 <sub>B</sub> <b>NDS</b> Number of auto-downspeed get counted
COUNT	7:0	ROSC	<b>Counter State</b> This counter state is updated each time the selected error event has been detected. The counter state is reset every time a read operation on this register is performed or the error event is changed. The counter saturates at value 0xFF.

**Media-Independent Interface Status**

This register contains status information of the MII interface.

MIISTAT	Offset	Reset Value
Media-Independent Interface Status	18 <sub>H</sub>	0000 <sub>H</sub>
		

Field	Bits	Type	Description
RESH	15:8	RO	<b>Reserved</b> Write as zero, ignored on read.
PHY	7:6	RO	<b>Active PHY Interface</b> 00 <sub>B</sub> <b>TP</b> The twisted-pair interface is the active PHY interface 01 <sub>B</sub> <b>FIBER</b> The fiber interface is the active PHY interface 10 <sub>B</sub> <b>MII2</b> The second MII interface is the active PHY interface 11 <sub>B</sub> <b>SGMII</b> The SGMII interface is the active PHY interface
PS	5:4	RO	<b>Resolved Pause Status for Flow Control</b> 00 <sub>B</sub> <b>NONE</b> No PAUSE 01 <sub>B</sub> <b>TX</b> Transmit PAUSE 10 <sub>B</sub> <b>RX</b> Receive PAUSE 11 <sub>B</sub> <b>TXRX</b> Both transmit and receive PAUSE
DPX	3	RO	<b>Duplex mode at which the MII currently operates.</b> 0 <sub>B</sub> <b>HDX</b> Half duplex 1 <sub>B</sub> <b>FDX</b> Full duplex
EEE	2	RO	<b>Resolved Energy-Efficient Ethernet Mode</b> 0 <sub>B</sub> <b>OFF</b> EEE is disabled after auto-negotiation resolution 1 <sub>B</sub> <b>ON</b> EEE is enabled after auto-negotiation resolution
SPEED	1:0	RO	<b>PHY Speed at which the MII Currently Operates.</b> 00 <sub>B</sub> <b>TEN</b> 10 Mbps 01 <sub>B</sub> <b>FAST</b> 100 Mbps 10 <sub>B</sub> <b>GIGA</b> 1000 Mbps 11 <sub>B</sub> <b>FRE</b> FRE mode

**Interrupt Mask Register**

This register defines the mask for the Interrupt Status Register (ISTAT). Each masked interrupt is able to activate the MDINT pin to the management device. The information about the interrupt source can be extracted by reading the ISTAT register. A read operation on the ISTAT register simultaneously clears the interrupts, deactivating MDINT.

IMASK		Offset		Reset Value			
Interrupt Mask Register		19 <sub>H</sub>		0000 <sub>H</sub>			
15	14	13	12	11	10	9	8
<b>WOL</b>	<b>MSRE</b>	<b>NPRX</b>	<b>NPTX</b>	<b>ANE</b>	<b>ANC</b>	<b>AMBF</b>	<b>LOR</b>
rw	rw	rw	rw	rw	rw	rw	rw
7	6	5	4	3	2	1	0
<b>RESL</b>		<b>ADSC</b>	<b>MDIPC</b>	<b>MDIXC</b>	<b>DXMC</b>	<b>LSPC</b>	<b>LSTC</b>
ro		rw	rw	rw	rw	rw	rw

Field	Bits	Type	Description
WOL	15	RW	<b>Wake-On-LAN Event Mask</b> When active and masked in IMASK, the MDINT is activated upon detection of a valid Wake-On-LAN event. 0 <sub>B</sub> <b>INACTIVE</b> Interrupt is masked out 1 <sub>B</sub> <b>ACTIVE</b> Interrupt is activated
MSRE	14	RW	<b>Master/Slave Resolution Error Mask</b> When active, MDINT is activated upon detection of a master/slave resolution error during a 1000BASE-T auto-negotiation. 0 <sub>B</sub> <b>INACTIVE</b> Interrupt is masked out 1 <sub>B</sub> <b>ACTIVE</b> Interrupt is activated
NPRX	13	RW	<b>Next Page Received Mask</b> When active, MDINT is activated upon reception of a next page in STD.AN_NPRX. 0 <sub>B</sub> <b>INACTIVE</b> Interrupt is masked out 1 <sub>B</sub> <b>ACTIVE</b> Interrupt is activated
NPTX	12	RW	<b>Next Page Transmitted Mask</b> When active, MDINT is activated upon transmission of the currently stored next page in STD.AN_NPTX. 0 <sub>B</sub> <b>INACTIVE</b> Interrupt is masked out 1 <sub>B</sub> <b>ACTIVE</b> Interrupt is activated
ANE	11	RW	<b>Auto-Negotiation Error Mask</b> When active, MDINT is activated upon detection of an auto-negotiation error. 0 <sub>B</sub> <b>INACTIVE</b> Interrupt is masked out 1 <sub>B</sub> <b>ACTIVE</b> Interrupt is activated

Field	Bits	Type	Description
ANC	10	RW	<b>Auto-Negotiation Complete Mask</b> When active, MDINT is activated upon completion of the auto-negotiation process. 0 <sub>B</sub> <b>INACTIVE</b> Interrupt is masked out 1 <sub>B</sub> <b>ACTIVE</b> Interrupt is activated
AMBF	9	RW	<b>MDIO Handling Fault</b> When active, MDINT is activated upon detection that the MDIO handling FIFO has overflowed and as such flushed and init by FW. This must indicate that one or more of the MDIO transactions before this event may be lost. 0 <sub>B</sub> <b>INACTIVE</b> Interrupt is masked out 1 <sub>B</sub> <b>ACTIVE</b> Interrupt is activated
LOR	8	RW	<b>SyncE Lost Of Reference</b> When active, MDINT is activated upon detection that the SyncE reference clock is lost. 0 <sub>B</sub> <b>INACTIVE</b> Interrupt is masked out 1 <sub>B</sub> <b>ACTIVE</b> Interrupt is activated
RESL	7:6	RO	<b>Reserved</b> Write as zeros, ignore on read.
ADSC	5	RW	<b>Link-Speed Auto-Downspeed Detect Mask</b> When active, MDINT is activated upon detection of a link speed auto-downspeed event. 0 <sub>B</sub> <b>INACTIVE</b> Interrupt is masked out 1 <sub>B</sub> <b>ACTIVE</b> Interrupt is activated
MDIPC	4	RW	<b>MDI Polarity Change Detect Mask</b> When active, MDINT is activated upon detection of an MDI polarity change event. 0 <sub>B</sub> <b>INACTIVE</b> Interrupt is masked out 1 <sub>B</sub> <b>ACTIVE</b> Interrupt is activated
MDIXC	3	RW	<b>MDIX Change Detect Mask</b> When active, MDINT is activated upon detection of an MDI/MDIX cross-over change event. 0 <sub>B</sub> <b>INACTIVE</b> Interrupt is masked out 1 <sub>B</sub> <b>ACTIVE</b> Interrupt is activated
DXMC	2	RW	<b>Duplex Mode Change Mask</b> When active, MDINT is activated upon detection of full- or half-duplex change. 0 <sub>B</sub> <b>INACTIVE</b> Interrupt is masked out 1 <sub>B</sub> <b>ACTIVE</b> Interrupt is activated
LSPC	1	RW	<b>Link Speed Change Mask</b> When active, MDINT is activated upon detection of link speed change. 0 <sub>B</sub> <b>INACTIVE</b> Interrupt is masked out 1 <sub>B</sub> <b>ACTIVE</b> Interrupt is activated
LSTC	0	RW	<b>Link State Change Mask</b> When active, MDINT is activated upon detection of link status change. 0 <sub>B</sub> <b>INACTIVE</b> Interrupt is masked out 1 <sub>B</sub> <b>ACTIVE</b> Interrupt is activated

**Interrupt Status Register**

This register defines the Interrupt Status Register (ISTAT). Each masked interrupt (IMASK) is able to activate the MDINT pin to the management device. The information about the interrupt source can be extracted by reading the ISTA register. A read operation on the ISTAT register simultaneously clears the interrupts and this deactivates MDINT.

ISTAT		Offset		Reset Value			
Interrupt Status Register		1A <sub>H</sub>		0000 <sub>H</sub>			
15	14	13	12	11	10	9	8
<b>WOL</b>	<b>MSRE</b>	<b>NPRX</b>	<b>NPTX</b>	<b>ANE</b>	<b>ANC</b>	<b>AMBF</b>	<b>LOR</b>
rolh	rolh	rolh	rolh	rolh	rolh	rw	rolh
7	6	5	4	3	2	1	0
<b>RESL</b>		<b>ADSC</b>	<b>MDIPC</b>	<b>MDIXC</b>	<b>DXMC</b>	<b>LSPC</b>	<b>LSTC</b>
rolh		rolh	rolh	rolh	rolh	rolh	rolh

Field	Bits	Type	Description
WOL	15	ROLH	<b>Wake-On-LAN Interrupt Status</b> When active and masked in IMASK, the MDINT is activated upon detection of a valid Wake-On-LAN event. 0 <sub>B</sub> <b>INACTIVE</b> Interrupt is masked out 1 <sub>B</sub> <b>ACTIVE</b> Interrupt is activated
MSRE	14	ROLH	<b>Master/Slave Resolution Error Interrupt Status</b> When active and masked in IMASK, the MDINT is activated upon detection of a master/slave resolution error during a 1000BASE-T auto-negotiation. 0 <sub>B</sub> <b>INACTIVE</b> Interrupt is masked out 1 <sub>B</sub> <b>ACTIVE</b> Interrupt is activated
NPRX	13	ROLH	<b>Next Page Received Interrupt Status</b> When active and masked in IMASK, the MDINT is activated upon reception of a next page in STD.AN_NPRX. 0 <sub>B</sub> <b>INACTIVE</b> Interrupt is masked out 1 <sub>B</sub> <b>ACTIVE</b> Interrupt is activated
NPTX	12	ROLH	<b>Next Page Transmitted Interrupt Status</b> When active and masked in IMASK, the MDINT is activated upon transmission of the currently stored next page in STD.AN_NPTX. 0 <sub>B</sub> <b>INACTIVE</b> Interrupt is masked out 1 <sub>B</sub> <b>ACTIVE</b> Interrupt is activated
ANE	11	ROLH	<b>Auto-Negotiation Error Interrupt Status</b> When active and masked in IMASK, the MDINT is activated upon detection of an auto-negotiation error. 0 <sub>B</sub> <b>INACTIVE</b> Interrupt is masked out 1 <sub>B</sub> <b>ACTIVE</b> Interrupt is activated

Field	Bits	Type	Description
ANC	10	ROLH	<b>Auto-Negotiation Complete Interrupt Status</b> When active and masked in IMASK, the MDINT is activated upon completion of the auto-negotiation process. 0 <sub>B</sub> <b>INACTIVE</b> Interrupt is masked out 1 <sub>B</sub> <b>ACTIVE</b> Interrupt is activated
AMBF	9	RW	<b>MDIO Handling Fault</b> When active and masked in IMASK, MDINT is activated upon detection that the MDIO handling FIFO has overflowed and as such flushed and init by FW. This must indicate that one or more of the MDIO transactions before this event may be lost. 0 <sub>B</sub> <b>INACTIVE</b> Interrupt is masked out 1 <sub>B</sub> <b>ACTIVE</b> Interrupt is activated
LOR	8	ROLH	<b>SyncE Lost Of Reference</b> When active and masked in IMASK, MDINT is activated upon detection that the SyncE reference clock is lost. 0 <sub>B</sub> <b>INACTIVE</b> Interrupt is masked out 1 <sub>B</sub> <b>ACTIVE</b> Interrupt is activated
RESL	7:6	ROLH	<b>Reserved</b> Write as zeros, ignore on read.
ADSC	5	ROLH	<b>Link Speed Auto-Downspeed Detect Interrupt Status</b> When active and masked in IMASK, the MDINT is activated upon detection of a link speed auto-downspeed event. 0 <sub>B</sub> <b>INACTIVE</b> Interrupt is masked out 1 <sub>B</sub> <b>ACTIVE</b> Interrupt is activated
MDIPC	4	ROLH	<b>MDI Polarity Change Detect Interrupt Status</b> When active and masked in IMASK, the MDINT is activated upon detection of an MDI polarity change event. 0 <sub>B</sub> <b>INACTIVE</b> Interrupt is masked out 1 <sub>B</sub> <b>ACTIVE</b> Interrupt is activated
MDIXC	3	ROLH	<b>MDIX Change Detect Interrupt Status</b> When active and masked in IMASK, the MDINT is activated upon detection of an MDI/MDIX cross-over change event. 0 <sub>B</sub> <b>INACTIVE</b> Interrupt is masked out 1 <sub>B</sub> <b>ACTIVE</b> Interrupt is activated
DXMC	2	ROLH	<b>Duplex Mode Change Interrupt Status</b> When active and masked in IMASK, the MDINT is activated upon detection of a full or half-duplex change. 0 <sub>B</sub> <b>INACTIVE</b> Interrupt is masked out 1 <sub>B</sub> <b>ACTIVE</b> Interrupt is activated
LSPC	1	ROLH	<b>Link Speed Change Interrupt Status</b> When active and masked in IMASK, the MDINT is activated upon detection of link speed change. 0 <sub>B</sub> <b>INACTIVE</b> Interrupt is masked out 1 <sub>B</sub> <b>ACTIVE</b> Interrupt is activated

Field	Bits	Type	Description
LSTC	0	ROLH	<b>Link State Change Interrupt Status</b> When active and masked in IMASK, the MDINT is activated upon detection of link status change. 0 <sub>B</sub> <b>INACTIVE</b> Interrupt is masked out 1 <sub>B</sub> <b>ACTIVE</b> Interrupt is activated

**LED Control Register**

This register contains control bits to allow for direct access to the LEDs. A directly controlled LED must disable the integrated LED function as specified by the more sophisticated LED control registers in page LED.

LED	Offset	Reset Value			
LED Control Register	1B <sub>H</sub>	0F00 <sub>H</sub>			
15	12	11	10	9	8
	<b>RESH</b>	<b>LED3EN</b>	<b>LED2EN</b>	<b>LED1EN</b>	<b>LED0EN</b>
	ro	rw	rw	rw	rw
7	4	3	2	1	0
	<b>RESL</b>	<b>LED3DA</b>	<b>LED2DA</b>	<b>LED1DA</b>	<b>LED0DA</b>
	ro	rw	rw	rw	rw

Field	Bits	Type	Description
RESH	15:12	RO	<b>Reserved</b> Write as zero, ignored on read.
LED3EN	11	RW	<b>Enable the integrated function of LED3</b> Write a logic 0 to this bit to disable the pre-configured integrated function for this LED. The LED remains off unless directly accessed via LED3DA. 0 <sub>B</sub> <b>DISABLE</b> Disables the integrated LED function 1 <sub>B</sub> <b>ENABLE</b> Enables the integrated LED function
LED2EN	10	RW	<b>Enable the integrated function of LED2</b> Write a logic 0 to this bit to disable the pre-configured integrated function for this LED. The LED remains off unless directly accessed via LED2DA. 0 <sub>B</sub> <b>DISABLE</b> Disables the integrated LED function 1 <sub>B</sub> <b>ENABLE</b> Enables the integrated LED function
LED1EN	9	RW	<b>Enable the Integrated Function of LED1</b> Write a logic 0 to this bit to disable the pre-configured integrated function for this LED. The LED remains off unless directly accessed via LED1DA. 0 <sub>B</sub> <b>DISABLE</b> Disables the integrated LED function 1 <sub>B</sub> <b>ENABLE</b> Enables the integrated LED function
LED0EN	8	RW	<b>Enable the Integrated Function of LED0</b> Write a logic 0 to this bit to disable the pre-configured integrated function for this LED. The LED remains off unless directly accessed via LED0DA. 0 <sub>B</sub> <b>DISABLE</b> Disables the integrated LED function 1 <sub>B</sub> <b>ENABLE</b> Enables the integrated LED function



Field	Bits	Type	Description
RESL	7:4	RO	<b>Reserved</b> Write as zero, ignored on read.
LED3DA	3	RW	<b>Direct Access to LED3</b> Write a logic 1 to this bit to illuminate the LED. LED3EN must be set to logic zero. 0 <sub>B</sub> <b>OFF</b> Switch off the LED 1 <sub>B</sub> <b>ON</b> Switch on the LED
LED2DA	2	RW	<b>Direct Access to LED2</b> Write a logic 1 to this bit to illuminate the LED. LED2EN must be set to logic zero. 0 <sub>B</sub> <b>OFF</b> Switch off the LED 1 <sub>B</sub> <b>ON</b> Switch on the LED
LED1DA	1	RW	<b>Direct Access to LED1</b> Write a logic 1 to this bit to illuminate the LED. LED1EN must be set to logic zero. 0 <sub>B</sub> <b>OFF</b> Switch off the LED 1 <sub>B</sub> <b>ON</b> Switch on the LED
LED0DA	0	RW	<b>Direct Access to LED0</b> Write a logic 1 to this bit to illuminate the LED. LED0EN must be set to logic zero. 0 <sub>B</sub> <b>OFF</b> Switch off the LED 1 <sub>B</sub> <b>ON</b> Switch on the LED

**Test-Packet Generator Control**

This register controls the operation of the integrated Test-Packet Generator (TPG). This module is only used for testing purposes.

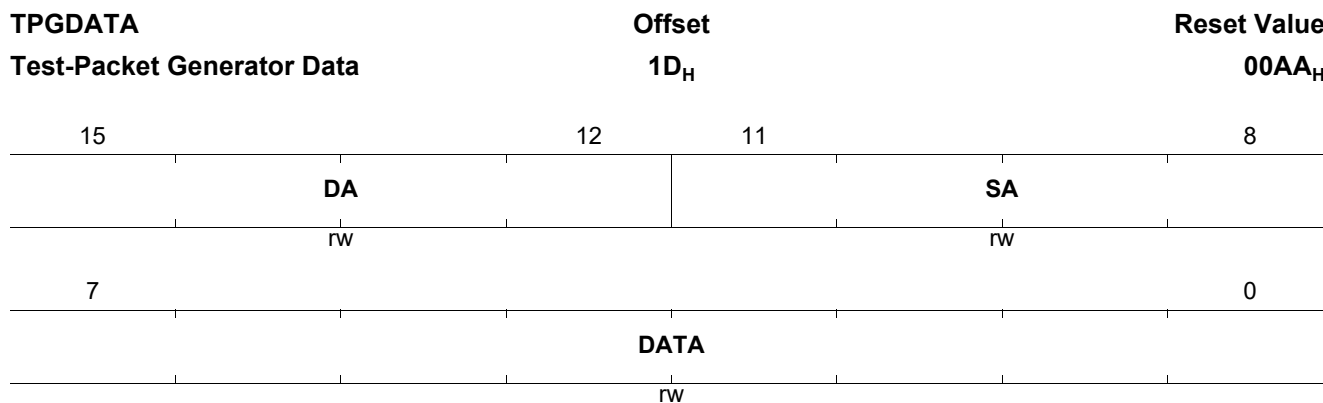
TPGCTRL		Offset		Reset Value			
Test-Packet Generator Control		1C <sub>H</sub>		0000 <sub>H</sub>			
15	14	13	12	11	10	9	8
<b>CHSEL</b>		<b>MODE</b>	<b>BURST4EN</b>	<b>IPGL</b>		<b>TYPE</b>	
rw		rw	rw	rw		rw	
7	6	4	3	2	1	0	
<b>RESL1</b>	<b>SIZE</b>		<b>MOPT</b>		<b>START</b>	<b>EN</b>	
ro	rw		rw		rw	rw	rw

Field	Bits	Type	Description
CHSEL	15:14	RW	<b>Channel Selection</b> There are 4 channels in the IP which can be selected for debug data dumping. This field is not used in case BURST4EN=1 && MOPT=1 (auto-channel burst). 00 <sub>B</sub> <b>CHA</b> Channel A is selected 01 <sub>B</sub> <b>CHB</b> Channel B is selected 10 <sub>B</sub> <b>CHC</b> Channel C is selected 11 <sub>B</sub> <b>CHD</b> Channel D is selected
MODE	13	RW	<b>TPG Mode</b> Configures the packet generation mode . 0 <sub>B</sub> <b>CONTINUOUS</b> Send packets continuously 1 <sub>B</sub> <b>SINGLE</b> Send a single packet. Also used to send a single burst of 4 packets in debug dumping when selected.
BURST4EN	12	RW	<b>Burst of 4 Packets Enable</b> When Enabled, this indicates to the packet generator to auto-select based on MOPT the debug data configuration per packet in the burst of 4. When MOPT=0, then the packets are generated capturing for the selected ASP channel, the polyphases 0,1,2,3 respectively. When MOPT=1, then the packets are generated capturing for the selected DVC option, the channels A,B,C,D respectively. This leads to a burst of 4 packets when MODE=SINGLE. In case MODE=1(continuous), then we get packets where every group of 4 packets are generated according to the MOPT selection. 0 <sub>B</sub> <b>DISABLE</b> Disable 1 <sub>B</sub> <b>ENABLE</b> Enable burst of 4 packet generation
IPGL	11:10	RW	<b>Inter-Packet Gap Length</b> Configures the length of the inter-packet gap in bit times. 00 <sub>B</sub> <b>BT48</b> Length is 48 bit times 01 <sub>B</sub> <b>BT96</b> Length is 96 bit times 10 <sub>B</sub> <b>BT960</b> Length is 960 bit times 11 <sub>B</sub> <b>BT9600</b> Length is 9600 bit times
TYPE	9:8	RW	<b>Packet Data Type</b> Configures the packet data type to be either predefined, byte increment or random. When predefined, the content of the register TPGDATA is used repetitively. 00 <sub>B</sub> <b>RANDOM</b> Use random data as the packet content 01 <sub>B</sub> <b>BYTEINC</b> Use byte increment as the packet content 10 <sub>B</sub> <b>PREDEF</b> Use pre-defined content of the register TPGDATA 11 <sub>B</sub> <b>DBGDATA</b> Use Dbg data as packet content. Additional Configuration is taken from TPGDATA
RESL1	7	RO	<b>Reserved</b> Write as zero, ignore on read.

Field	Bits	Type	Description
SIZE	6:4	RW	<p><b>Packet Size</b> Configures the size of the generated Ethernet packets in bytes. The size includes DA, SA, length/type, payload and FCS.</p> <p>000<sub>B</sub> <b>L64</b> Packet length is 64 bytes.            001<sub>B</sub> <b>L2048</b> Packet length is 2048 bytes (jumbo frames).            010<sub>B</sub> <b>L256</b> Packet length is 256 bytes.            011<sub>B</sub> <b>L4096</b> Packet length is 4096 bytes (jumbo frames).            100<sub>B</sub> <b>L1024</b> Packet length is 1024 bytes.            101<sub>B</sub> <b>L1518</b> Packet length is 1518 bytes.            110<sub>B</sub> <b>L9000</b> Packet length is 9000 bytes (jumbo frames).            111<sub>B</sub> <b>RANDOM</b> Packet length is randomized between upper sizes without jumbo frames.</p>
MOPT	3:2	RW	<p><b>Mux Option</b> Additional Mux Selection Options depending on the value of DVC in TPGDATA[3:0].</p> <p>00<sub>B</sub> <b>MOPT0</b> BURST4EN=1: auto-polyphase selected, BURST4EN=0 &amp;&amp; DVC=0b1001: DBG SYNC Data Gen, otherwise sub-DVC-mode selection            01<sub>B</sub> <b>MOPT1</b> BURST4EN=1: auto-channel selected, BURST4EN=0 &amp;&amp; DVC=0b1001: DBG Trace Data, otherwise sub-DVC-mode selection            10<sub>B</sub> <b>MOPT2</b> sub-DVC-mode selection            11<sub>B</sub> <b>MOPT3</b> sub-DVC-mode selection</p>
START	1	RW	<p><b>Start or Stop TPG Data Generation.</b> Starts the TPG data generation. Depending on the MODE, the TPG sends only 1 single packet or chunks of 10,000 packets until stopped.</p> <p>0<sub>B</sub> <b>STOP</b> Stops the TPG data generation            1<sub>B</sub> <b>START</b> Starts the TPG data generation</p>
EN	0	RW	<p><b>Enable the TPG</b> Enables the TPG for data generation.</p> <p>0<sub>B</sub> <b>DISABLE</b> Disables the TPG            1<sub>B</sub> <b>ENABLE</b> Enables the TPG</p>

**Test-Packet Generator Data**

Specifies the payload data to be used when sending a non-random data packet. All payload data bytes are sent with this value.



Field	Bits	Type	Description
DA	15:12	RW	<b>Destination Address</b> Configures the destination address nibble. The Source Address builds up to 00-03-19-FF-FF-F[DA].
SA	11:8	RW	<b>Source Address</b> Configures the source address nibble. The source address builds up to 00-03-19-FF-FF-F[SA].
DATA	7:0	RW	<b>Data Byte to be Transmitted</b> This is the content of the payload bytes in the frame in case it is selected to send constant data. When it is selected to send debug data, this byte has additional configuration as seen in the constants listed here. The bit masks are listed here. Refer to the related section for more details on the configuration. 00001111 <sub>B</sub> <b>DVC</b> Select the debug data to be dump 00010000 <sub>B</sub> <b>RESERVED</b> Reserved 01100000 <sub>B</sub> <b>PREC2</b> For reduce precision, select the options with bits [6:5] 10000000 <sub>B</sub> <b>PREC</b> select whether to take full precision('1') of reduce precision '0' at bit 7

**Firmware Version Register**

This register contains the version of the PHY firmware.

FWV		Offset	Reset Value
Firmware Version Register		1E <sub>H</sub>	8304 <sub>H</sub>
15	14		8
<b>REL</b>		<b>MAJOR</b>	
ro		ro	
7			0
		<b>MINOR</b>	
		ro	

Field	Bits	Type	Description
REL	15	RO	<b>Release Indication</b> This parameter indicates either a test or a release version. 0 <sub>B</sub> <b>TEST</b> Indicates a test version 1 <sub>B</sub> <b>RELEASE</b> Indicates a released version
MAJOR	14:8	RO	<b>Major Version Number</b> Specifies the main version release number of the firmware.
MINOR	7:0	RO	<b>Minor Version Number</b> Specifies the sub-version release number of the firmware.

**Reserved**

Reserved.

RES1F		Offset	Reset Value
Reserved		1F <sub>H</sub>	0000 <sub>H</sub>
15			8
		<b>RES</b>	
		ro	
7			0
		<b>RES</b>	
		ro	

Field	Bits	Type	Description
RES	15:0	RO	<b>Reserved</b> Write as zero, ignored on read.

#### 4.4 PHY MMD Registers

This section defines all the registers required to operate the MMD\_REGISTERS module.<sup>1)</sup>

**Table 65 Registers Address Space**

Module	Base Address	End Address	Note
MMD_REGISTERS	000000 <sub>H</sub>	1FFFFFF <sub>H</sub>	

**Table 66 Registers Overview**

Register Short Name	Register Long Name	Offset Address	Reset Value
<b>PHY MMD Registers, PMAPMD: Standard PMAPMD Registers for MMD=0x01</b>			
<b>TIMESYNC_CAP</b>	PMAPMD TimeSync Capability Indication	01.1800 <sub>H</sub>	0000 <sub>H</sub>
<b>PHY MMD Registers, EEE: Standard EEE Registers for MMD=0x03</b>			
<b>EEE_CTRL1</b>	EEE Control Register 1	03.0000 <sub>H</sub>	0000 <sub>H</sub>
<b>EEE_STAT1</b>	EEE Status Register 1	03.0001 <sub>H</sub>	0000 <sub>H</sub>
<b>EEE_CAP</b>	EEE Capability Register	03.0014 <sub>H</sub>	0006 <sub>H</sub>
<b>EEE_WAKERR</b>	EEE Status Register 1	03.0016 <sub>H</sub>	0000 <sub>H</sub>
<b>PHY MMD Registers, ANEG: Standard Auto-Negotiation Registers for MMD=0x07</b>			
<b>EEE_AN_ADV</b>	EEE Auto-Negotiation Advertisement Register	07.003C <sub>H</sub>	0000 <sub>H</sub>
<b>EEE_AN_LPADV</b>	EEE Auto-Negotiation Link-Partner Advertisement Register	07.003D <sub>H</sub>	0000 <sub>H</sub>
<b>PHY MMD Registers, INTERNAL: Internal Address Space (MMD=0x1F)</b>			
<b>LEDCH</b>	LED Configuration	1F.01E0 <sub>H</sub>	00C5 <sub>H</sub>
<b>LEDCL</b>	LED Configuration	1F.01E1 <sub>H</sub>	0067 <sub>H</sub>
<b>LED0H</b>	Configuration for LED Pin 0	1F.01E2 <sub>H</sub>	0070 <sub>H</sub>
<b>LED1H</b>	Configuration for LED Pin 1	1F.01E4 <sub>H</sub>	0020 <sub>H</sub>
<b>LED2H</b>	Configuration for LED Pin 2	1F.01E6 <sub>H</sub>	0040 <sub>H</sub>
<b>LED3H</b>	Configuration for LED Pin 3	1F.01E8 <sub>H</sub>	0040 <sub>H</sub>
<b>LED0L</b>	Configuration for LED Pin 0	1F.01E3 <sub>H</sub>	0003 <sub>H</sub>
<b>LED1L</b>	Configuration for LED Pin 1	1F.01E5 <sub>H</sub>	0000 <sub>H</sub>
<b>LED2L</b>	Configuration for LED Pin 2	1F.01E7 <sub>H</sub>	0000 <sub>H</sub>
<b>LED3L</b>	Configuration for LED Pin 3	1F.01E9 <sub>H</sub>	0020 <sub>H</sub>
<b>EEE_RXERR_LINK_FAIL_H</b>	High Byte of the EEE Link-Fail Counter	1F.01EA <sub>H</sub>	0000 <sub>H</sub>
<b>EEE_RXERR_LINK_FAIL_L</b>	Low Byte of the EEE Link-Fail Counter	1F.01EB <sub>H</sub>	0000 <sub>H</sub>
<b>WOLCTRL</b>	Wake-On-LAN Control Register	1F.0781 <sub>H</sub>	0000 <sub>H</sub>
<b>WOLAD0</b>	Wake-On-LAN Address Byte 0	1F.0783 <sub>H</sub>	0000 <sub>H</sub>
<b>WOLAD1</b>	Wake-On-LAN Address Byte 1	1F.0784 <sub>H</sub>	0000 <sub>H</sub>
<b>WOLAD2</b>	Wake-On-LAN Address Byte 2	1F.0785 <sub>H</sub>	0000 <sub>H</sub>

1) Generated by REFIGE v1.4 - Beta Release XIV

**Table 66 Registers Overview (cont'd)**

Register Short Name	Register Long Name	Offset Address	Reset Value
<b>WOLAD3</b>	Wake-On-LAN Address Byte 3	1F.0786 <sub>H</sub>	0000 <sub>H</sub>
<b>WOLAD4</b>	Wake-On-LAN Address Byte 4	1F.0787 <sub>H</sub>	0000 <sub>H</sub>
<b>WOLAD5</b>	Wake-On-LAN Address Byte 5	1F.0788 <sub>H</sub>	0000 <sub>H</sub>
<b>WOLPW0</b>	Wake-On-LAN SecureON Password Byte 0	1F.0789 <sub>H</sub>	0000 <sub>H</sub>
<b>WOLPW1</b>	Wake-On-LAN SecureON Password Byte 1	1F.078A <sub>H</sub>	0000 <sub>H</sub>
<b>WOLPW2</b>	Wake-On-LAN SecureON Password Byte 2	1F.078B <sub>H</sub>	0000 <sub>H</sub>
<b>WOLPW3</b>	Wake-On-LAN SecureON Password Byte 3	1F.078C <sub>H</sub>	0000 <sub>H</sub>
<b>WOLPW4</b>	Wake-On-LAN SecureON Password Byte 4	1F.078D <sub>H</sub>	0000 <sub>H</sub>
<b>WOLPW5</b>	Wake-On-LAN SecureON Password Byte 5	1F.078E <sub>H</sub>	0000 <sub>H</sub>
<b>PD_CTL</b>	Configuration for Synchronous Ethernet	1F.07FE <sub>H</sub>	0000 <sub>H</sub>

The register is addressed wordwise.

**Table 67 Register Access Types**

Mode	Symbol	Internal Hardware Configuration		
		Type	Behavior	Arbitration
Status Register, Latch-High	ROLH	WOR	AUTO_PDI	CLROR
Status Register, Latch-Low	ROLL	WOR	AUTO_PDI	CLROR
Status Register, Self-Clearing	ROSC	WOR	AUTO_PDI	CLROR
Read-Write Register	RW	RWR	AUTO_PDI	-
Read-Write Register, Self-Clearing	RWSC	RWR	AUTO_PDI	CLROR
Status Register	RO	WOR	AUTO_PDI	-

#### 4.4.1 PMAPMD: Standard PMAPMD Registers for MMD=0x01

This section describe the registers for support of IEEE 802.3BF indication for TimeSync (a.k.a SyncT interface in this IP).

##### PMAPMD TimeSync Capability Indication

PMAPMD TimeSync Capability indication Register. This IP does not support providing data path delay information. It is provided to enhance compatibility

TIMESYNC_CAP	Offset	Reset Value
PMAPMD TimeSync Capability Indication	01.1800 <sub>H</sub>	0000 <sub>H</sub>
15		8
	Res	
7		0
	Res	
		1
		0
		TXDEL
		RXDEL
		ro
		ro

Field	Bits	Type	Description
TXDEL	1	RO	<b>Transmit Data Path Delay Information</b> PHY indicates whether it is capable of providing the minimum and maximum data path delay information. 0 <sub>B</sub> <b>NONE</b> PHY do not have this capability 1 <sub>B</sub> <b>CAPABLE</b> min and max TX data path delay available
RXDEL	0	RO	<b>Receive Data Path Delay Information</b> PHY indicates whether it is capable of providing the minimum and maximum data path delay information. 0 <sub>B</sub> <b>NONE</b> PHY do not have this capability 1 <sub>B</sub> <b>CAPABLE</b> min and max RX data path delay available



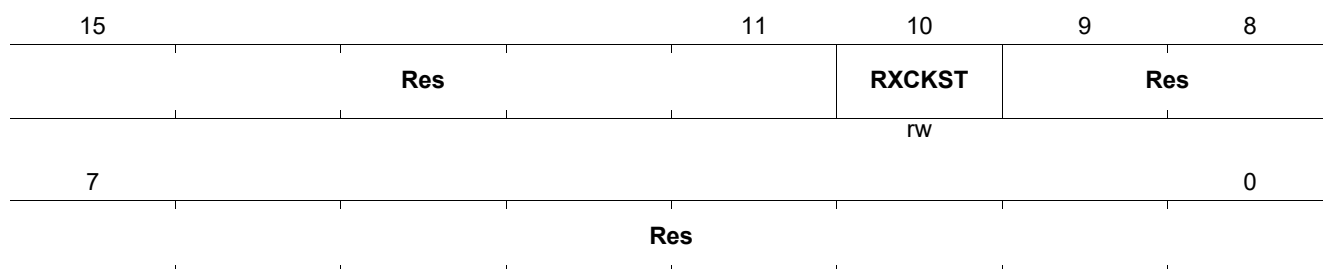
#### 4.4.2 EEE: Standard EEE Registers for MMD=0x03

This section describes the EEE registers for MMD device 0x03.

##### EEE Control Register 1

EEE Control Register 1.

<b>EEE_CTRL1</b>	<b>Offset</b>	<b>Reset Value</b>
<b>EEE Control Register 1</b>	<b>03.0000<sub>H</sub></b>	<b>0000<sub>H</sub></b>

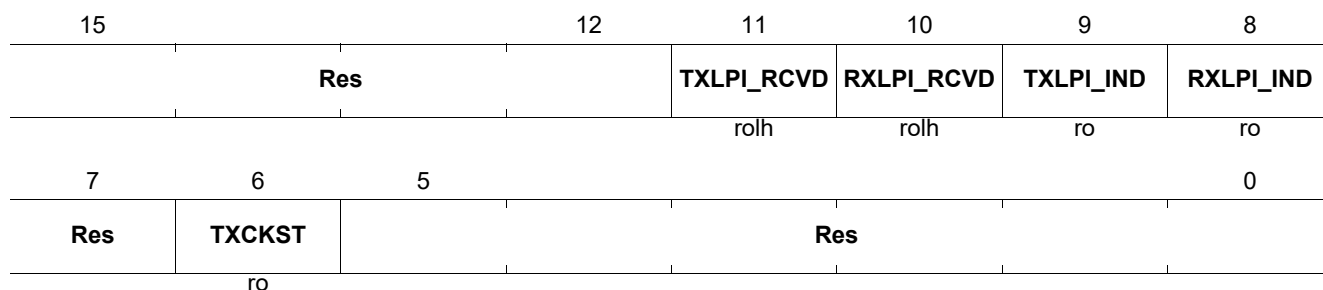


Field	Bits	Type	Description
RXCKST	10	RW	<b>Receive Clock Stoppable</b> The MAC can set this bit to active to allow the PHY to stop the clocking during the LPI_MODE. 0 <sub>B</sub> <b>DISABLE</b> The PHY must not stop the xMII clock during LPI_MODE 1 <sub>B</sub> <b>ENABLE</b> The PHY can stop the xMII clock during LPI_MODE

##### EEE Status Register 1

EEE Status Register 1.

<b>EEE_STAT1</b>	<b>Offset</b>	<b>Reset Value</b>
<b>EEE Status Register 1</b>	<b>03.0001<sub>H</sub></b>	<b>0000<sub>H</sub></b>



Field	Bits	Type	Description
TXLPI_RCVD	11	ROLH	<b>TXLPI Received</b> 0 <sub>B</sub> <b>INACTIVE</b> LPI has not been received 1 <sub>B</sub> <b>ACTIVE</b> LPI has been received

Field	Bits	Type	Description
RXLPI_RCVD	10	ROLH	<b>RXLPI Received</b> 0 <sub>B</sub> <b>INACTIVE</b> LPI has not been received 1 <sub>B</sub> <b>ACTIVE</b> LPI has been received
TXLPI_IND	9	RO	<b>TXLPI Indication</b> 0 <sub>B</sub> <b>INACTIVE</b> LPI is currently inactive 1 <sub>B</sub> <b>ACTIVE</b> LPI is currently active
RXLPI_IND	8	RO	<b>RXLPI Indication</b> 0 <sub>B</sub> <b>INACTIVE</b> LPI is currently inactive 1 <sub>B</sub> <b>ACTIVE</b> LPI is currently active
TXCKST	6	RO	<b>Transmit Clock Stoppable</b> Indicate whether PHY is able to accept a stopped transmit clock during LPI_MODE. MAC may choose to stop the clocking during LPI_MODE when this bit is set to active. 0 <sub>B</sub> <b>DISABLE</b> The PHY is not able to accept stopped transmit clocks (default) 1 <sub>B</sub> <b>ENABLE</b> The PHY is able to accept a stopped transmit clock during LPI_MODE

**EEE Capability Register**

This register is used to indicate the capability of the PCS to support EEE functions for each PHY type.

EEE_CAP	Offset	Reset Value
<b>EEE Capability Register</b>	<b>03.0014<sub>H</sub></b>	<b>0006<sub>H</sub></b>
15		8
Res		
7	6	5
4	3	2
1	0	
Res	EEE_10GBKR	EEE_10GBKX 4
	EEE_1000BK X	EEE_10GBT
	EEE_1000BT	EEE_100BTX
	Res	
	ro	ro
	ro	ro
	ro	ro
	ro	ro
	ro	ro

Field	Bits	Type	Description
EEE_10GBKR	6	RO	<b>Support of 10GBASE-KR EEE</b> 0 <sub>B</sub> <b>DISABLED</b> This PHY mode is not supported for EEE 1 <sub>B</sub> <b>ENABLE</b> This PHY mode is supported for EEE
EEE_10GBKX 4	5	RO	<b>Support of 10GBASE-KX4 EEE</b> 0 <sub>B</sub> <b>DISABLED</b> This PHY mode is not supported for EEE 1 <sub>B</sub> <b>ENABLE</b> This PHY mode is supported for EEE
EEE_1000BK X	4	RO	<b>Support of 1000BASE-KX EEE</b> 0 <sub>B</sub> <b>DISABLED</b> This PHY mode is not supported for EEE 1 <sub>B</sub> <b>ENABLE</b> This PHY mode is supported for EEE

**Registers**

Field	Bits	Type	Description
EEE_10GBT	3	RO	<b>Support of 10GBASE-T EEE</b> 0 <sub>B</sub> <b>DISABLED</b> This PHY mode is not supported for EEE 1 <sub>B</sub> <b>ENABLE</b> This PHY mode is supported for EEE
EEE_1000BT	2	RO	<b>Support of 1000BASE-T EEE</b> 0 <sub>B</sub> <b>DISABLED</b> This PHY mode is not supported for EEE 1 <sub>B</sub> <b>ENABLE</b> This PHY mode is supported for EEE
EEE_100BTX	1	RO	<b>Support of 100BASE-TX EEE</b> 0 <sub>B</sub> <b>DISABLED</b> This PHY mode is not supported for EEE 1 <sub>B</sub> <b>ENABLE</b> This PHY mode is supported for EEE

**EEE Status Register 1**

Not Specified

EEE_WAKERR	Offset	Reset Value
EEE Status Register 1	03.0016 <sub>H</sub>	0000 <sub>H</sub>
15		8
	ERRCNT	
	ro	
7		0
	ERRCNT	
	ro	

Field	Bits	Type	Description
ERRCNT	15:0	RO	<b>EEE Wake Error Counter</b> This register is used by PHY types that support EEE to count wake time faults where the PHY fails to complete its normal wake sequence within the time required for the specific PHY type. The definition of the fault event to be counted is defined for each PHY and may occur during a refresh or a wake-up as defined by the PHY. This 16-bit counter is reset to all zeroes when the EEE wake error counter is read by the management function or upon execution of the PCS reset. It is held at all ones in case of overflow.

### 4.4.3 ANEG: Standard Auto-Negotiation Registers for MMD=0x07

This register file contains the auto-negotiation registers for MMD device 0x07 (only supporting EEE specifics).

#### EEE Auto-Negotiation Advertisement Register

This register defines the EEE advertisement sent in the unformatted next page following an EEE technology message code as defined in 28C.12. The 11 bits (7.60.10 to 7.60.0) in the EEE advertisement register correspond to the bits in the unformatted next page. For PHYs that negotiate extended next-page support, the 11 bits (7.60.10 to 7.60.0) in the EEE advertisement register correspond to bits U10 to U0 respectively of the extended next-page unformatted code field.

EEE_AN_ADV	Offset	Reset Value
EEE Auto-Negotiation Advertisement Register	07.003C <sub>H</sub>	0000 <sub>H</sub>
15		8
Res		
7	6	5
4	3	2
1	0	
Res	EEE_10GBKR	EEE_10GBKX 4
	EEE_1000BK X	EEE_10GBT
	EEE_1000BT	EEE_100BTX
	Res	
	ro	ro
	ro	ro
	rw	rw
	rw	

Field	Bits	Type	Description
EEE_10GBKR	6	RO	<b>Support of 10GBASE-KR EEE</b> 0 <sub>B</sub> <b>DISABLED</b> This PHY mode is not supported for EEE 1 <sub>B</sub> <b>ENABLE</b> This PHY mode is supported for EEE
EEE_10GBKX 4	5	RO	<b>Support of 10GBASE-KX4 EEE</b> 0 <sub>B</sub> <b>DISABLED</b> This PHY mode is not supported for EEE 1 <sub>B</sub> <b>ENABLE</b> This PHY mode is supported for EEE
EEE_1000BK X	4	RO	<b>Support of 1000BASE-KX EEE</b> 0 <sub>B</sub> <b>DISABLED</b> This PHY mode is not supported for EEE 1 <sub>B</sub> <b>ENABLE</b> This PHY mode is supported for EEE
EEE_10GBT	3	RO	<b>Support of 10GBASE-T EEE</b> 0 <sub>B</sub> <b>DISABLED</b> This PHY mode is not supported for EEE 1 <sub>B</sub> <b>ENABLE</b> This PHY mode is supported for EEE
EEE_1000BT	2	RW	<b>Support of 1000BASE-T EEE</b> 0 <sub>B</sub> <b>DISABLED</b> This PHY mode is not supported for EEE 1 <sub>B</sub> <b>ENABLE</b> This PHY mode is supported for EEE
EEE_100BTX	1	RW	<b>Support of 100BASE-TX EEE</b> 0 <sub>B</sub> <b>DISABLED</b> This PHY mode is not supported for EEE 1 <sub>B</sub> <b>ENABLE</b> This PHY mode is supported for EEE

**EEE Auto-Negotiation Link-Partner Advertisement Register**

All of the bits in the EEE LP advertisement register are read only. A write operation to the EEE LP advertisement register has no effect. After the AN process has been completed, this register reflects the contents of the link partner's EEE advertisement register. The definitions are the same as for the EEE AN advertisement register.

<b>EEE_AN_LPADV</b>	<b>Offset</b>	<b>Reset Value</b>
<b>EEE Auto-Negotiation Link-Partner Advertisement Register</b>	<b>07.003D<sub>H</sub></b>	<b>0000<sub>H</sub></b>

15							8								
Res															
7		6		5		4		3		2		1		0	
Res		EEE_10GBKR		EEE_10GBKX 4		EEE_1000BK X		EEE_10GBT		EEE_1000BT		EEE_100BTX		Res	
ro		ro		ro		ro		ro		ro		ro		ro	

Field	Bits	Type	Description
EEE_10GBKR	6	RO	<b>Support of 10GBASE-KR EEE</b> 0 <sub>B</sub> <b>DISABLED</b> This PHY mode is not supported for EEE 1 <sub>B</sub> <b>ENABLE</b> This PHY mode is supported for EEE
EEE_10GBKX 4	5	RO	<b>Support of 10GBASE-KX4 EEE</b> 0 <sub>B</sub> <b>DISABLED</b> This PHY mode is not supported for EEE 1 <sub>B</sub> <b>ENABLE</b> This PHY mode is supported for EEE
EEE_1000BK X	4	RO	<b>Support of 1000BASE-KX EEE</b> 0 <sub>B</sub> <b>DISABLED</b> This PHY mode is not supported for EEE 1 <sub>B</sub> <b>ENABLE</b> This PHY mode is supported for EEE
EEE_10GBT	3	RO	<b>Support of 10GBASE-T EEE</b> 0 <sub>B</sub> <b>DISABLED</b> This PHY mode is not supported for EEE 1 <sub>B</sub> <b>ENABLE</b> This PHY mode is supported for EEE
EEE_1000BT	2	RO	<b>Support of 1000BASE-T EEE</b> 0 <sub>B</sub> <b>DISABLED</b> This PHY mode is not supported for EEE 1 <sub>B</sub> <b>ENABLE</b> This PHY mode is supported for EEE
EEE_100BTX	1	RO	<b>Support of 100BASE-TX EEE</b> 0 <sub>B</sub> <b>DISABLED</b> This PHY mode is not supported for EEE 1 <sub>B</sub> <b>ENABLE</b> This PHY mode is supported for EEE

#### 4.4.4 INTERNAL: Internal Address Space (MMD=0x1F)

This register file contains the PHY internal address space (MMD=0x1F).

##### LED Configuration

This register must be used to configure the complex functions of the LED behavior. Complex functions are of a higher priority than direct LED functions as of registers MMD.INTERNAL.LEDxH/L. When the PHY enters a state defined to activate complex LED functions, all LEDs are controlled according to the type of the complex function.

LEDCH	Offset	Reset Value
LED Configuration	1F.01E0 <sub>H</sub>	00C5 <sub>H</sub>
15		8
Res		
7	6	5
4	3	2
0		
FBF	SBF	Res
NACS		
rw	rw	rw

Field	Bits	Type	Description
FBF	7:6	RW	<b>Fast Blink Frequency</b> This register must be used to configure the fast-blinking frequency. This setting implicitly defines the pulse-stretching width. 00 <sub>B</sub> <b>F02HZ</b> 2 Hz blinking frequency 01 <sub>B</sub> <b>F04HZ</b> 4 Hz blinking frequency 10 <sub>B</sub> <b>F08HZ</b> 8 Hz blinking frequency 11 <sub>B</sub> <b>F16HZ</b> 16 Hz blinking frequency
SBF	5:4	RW	<b>Slow Blink Frequency</b> This register must be used to configure the slow-blinking frequency. 00 <sub>B</sub> <b>F02HZ</b> 2 Hz blinking frequency 01 <sub>B</sub> <b>F04HZ</b> 4 Hz blinking frequency 10 <sub>B</sub> <b>F08HZ</b> 8 Hz blinking frequency 11 <sub>B</sub> <b>F16HZ</b> 16 Hz blinking frequency

Field	Bits	Type	Description
NACS	2:0	RW	<b>Inverse of SCAN Function</b> This configuration defines in which state the "complex SCAN" must be activated. The complex SCAN performs running off which turns back and forth between the first and last LED. The speed is dependent on the MMD.INTERNAL.LEDCH.FBF setting. 000 <sub>B</sub> <b>NONE</b> No Function 001 <sub>B</sub> <b>LINK</b> Complex function enabled when link is up 010 <sub>B</sub> <b>PDOWN</b> Complex function enabled when device is powered-down 011 <sub>B</sub> <b>EEE</b> Complex function enabled when device is in EEE mode 100 <sub>B</sub> <b>ANEG</b> Complex function enabled when auto-negotiation is running 101 <sub>B</sub> <b>ABIST</b> Complex function enabled when analog self-test is running 110 <sub>B</sub> <b>CDIAG</b> Complex function enabled when cable diagnostics are running 111 <sub>B</sub> <b>TEST</b> Complex function enabled when test mode is running

**LED Configuration**

The register must be used to configure the complex functions of the LED behavior. Complex functions are of a higher priority than direct LED functions as of registers MMD.INTERNAL.LEDxH/L. When the PHY enters a state defined to activate complex LED functions all LEDs are controlled according to the type of the complex function.

LEDCL	Offset	Reset Value
LED Configuration	1F.01E1 <sub>H</sub>	0067 <sub>H</sub>
15		8
Res		
7	6	4
3	2	0
Res	SCAN	Res
	rw	CBLINK
		rw

Field	Bits	Type	Description
SCAN	6:4	RW	<p><b>Complex SCAN Configuration</b></p> <p>This configuration defines in which state the "complex SCAN" must be activated. The complex SCAN performs running on which turns back and forth between the first and last LED. The speed is dependent on the MMD.INTERNAL.LEDCH.FBF setting.</p> <p>000<sub>B</sub> <b>NONE</b> No Function            001<sub>B</sub> <b>LINK</b> Complex function enabled when link is up            010<sub>B</sub> <b>PDOWN</b> Complex function enabled when device is powered-down            011<sub>B</sub> <b>EEE</b> Complex function enabled when device is in EEE mode            100<sub>B</sub> <b>ANEG</b> Complex function enabled when auto-negotiation is running            101<sub>B</sub> <b>ABIST</b> Complex function enabled when analog self-test is running            110<sub>B</sub> <b>CDIAG</b> Complex function enabled when cable diagnostics are running            111<sub>B</sub> <b>TEST</b> Complex function enabled when test mode is running</p>
CBLINK	2:0	RW	<p><b>Complex Blinking Configuration</b></p> <p>This configuration defines in which state the "complex blinking" must be activated. The complex blinking performs a blinking at the fast-blinking frequency on all LEDs simultaneously. This function can be used to indicate a special mode of the PHY such as cable-diagnostics or test. The speed is dependent on the MMD.INTERNAL.LEDCH.FBF setting.</p> <p>000<sub>B</sub> <b>NONE</b> No Function            001<sub>B</sub> <b>LINK</b> Complex function enabled when link is up            010<sub>B</sub> <b>PDOWN</b> Complex function enabled when device is powered-down            011<sub>B</sub> <b>EEE</b> Complex function enabled when device is in EEE mode            100<sub>B</sub> <b>ANEG</b> Complex function enabled when auto-negotiation is running            101<sub>B</sub> <b>ABIST</b> Complex function enabled when analog self-test is running            110<sub>B</sub> <b>CDIAG</b> Complex function enabled when cable diagnostics are running            111<sub>B</sub> <b>TEST</b> Complex function enabled when test mode is running</p>



**Configuration for LED Pin 0**

This register configures the behavior of the LED depending on pre-defined states or events the PHY has entered into or raised. Since more than one event/state can be active at the same time, more than one function might apply simultaneously. The priority from highest to lowest is given by the order PULSE, BLINKS, BLINKF, CON.

LED0H	Offset	Reset Value
Configuration for LED Pin 0	1F.01E2 <sub>H</sub>	0070 <sub>H</sub>
15		8
Res		
7	4	3
CON		BLINKF
rw		rw

Field	Bits	Type	Description
CON	7:4	RW	<p><b>Constant On Configuration</b> The Constant-ON field selects in which PHY states the LED is constantly on.</p> <p>0000<sub>B</sub> <b>NONE</b> LED does not light up constantly            0001<sub>B</sub> <b>LINK10</b> LED is on when link is 10 Mbps            0010<sub>B</sub> <b>LINK100</b> LED is on when link is 100 Mbps            0011<sub>B</sub> <b>LINK10X</b> LED is on when link is 10/100 Mbps            0100<sub>B</sub> <b>LINK1000</b> LED is on when link is 1000 Mbps            0101<sub>B</sub> <b>LINK10_0</b> LED is on when link is 10/1000 Mbps            0110<sub>B</sub> <b>LINK100X</b> LED is on when link is 100/1000 Mbps            0111<sub>B</sub> <b>LINK10XX</b> LED is on when link is 10/100/1000 Mbps            1000<sub>B</sub> <b>PDOWN</b> LED is on when device is powered-down            1001<sub>B</sub> <b>EEE</b> LED is on when device is in EEE mode            1010<sub>B</sub> <b>ANEG</b> LED is on when auto-negotiation is running            1011<sub>B</sub> <b>ABIST</b> LED is on when analog self-test is running            1100<sub>B</sub> <b>CDIAG</b> LED is on when cable diagnostics are running            1101<sub>B</sub> <b>COPPER</b> LED is on when the COPPER interface is selected            1110<sub>B</sub> <b>FIBER</b> LED is on when the FIBER or an interface other than copper is selected            1111<sub>B</sub> <b>RESERVED</b> Reserved for future use</p>

Field	Bits	Type	Description
BLINKF	3:0	RW	<b>Fast Blinking Configuration</b> The Blink-F Field selects in which PHY states the LED blinks with the pre-defined fast frequency.  0000 <sub>B</sub> <b>NONE</b> No Blinking 0001 <sub>B</sub> <b>LINK10</b> Blink when link is 10 Mbps 0010 <sub>B</sub> <b>LINK100</b> Blink when link is 100 Mbps 0011 <sub>B</sub> <b>LINK10X</b> Blink when link is 10/100 Mbps 0100 <sub>B</sub> <b>LINK1000</b> Blink when link is 1000 Mbps 0101 <sub>B</sub> <b>LINK10_0</b> Blink when link is 10/1000 Mbps 0110 <sub>B</sub> <b>LINK100X</b> Blink when link is 100/1000 Mbps 0111 <sub>B</sub> <b>LINK10XX</b> Blink when link is 10/100/1000 Mbps 1000 <sub>B</sub> <b>PDOWN</b> Blink when device is powered-down 1001 <sub>B</sub> <b>EEE</b> Blink when device is in EEE mode 1010 <sub>B</sub> <b>ANEG</b> Blink when auto-negotiation is running 1011 <sub>B</sub> <b>ABIST</b> Blink when analog self-test is running 1100 <sub>B</sub> <b>CDIAG</b> Blink when cable diagnostics are running

**Similar Registers**

These registers are identical to the Register [LED0H](#) defined above.

**Table 68 Similar Registers**

Register Short Name	Register Long Name	Offset Address	Reset Value
LED1H	Configuration for LED Pin 1	1F.01E4 <sub>H</sub>	0020 <sub>H</sub>
LED2H	Configuration for LED Pin 2	1F.01E6 <sub>H</sub>	0040 <sub>H</sub>
LED3H	Configuration for LED Pin 3	1F.01E8 <sub>H</sub>	0040 <sub>H</sub>

**Configuration for LED Pin 0**

This register configures the behavior of the LED depending on pre-defined states or events the PHY has entered into or raised. Since more than one event or state can be active at the same time, more than one function might apply simultaneously. The priority from highest to lowest is given by the order PULSE, BLINKS, BLINKF, CON.

LED0L	Offset	Reset Value
Configuration for LED Pin 0	1F.01E3 <sub>H</sub>	0003 <sub>H</sub>
15		8
Res		
7	4	3
BLINKS		PULSE
rw		rw

Field	Bits	Type	Description
BLINKS	7:4	RW	<p><b>Slow Blinking Configuration</b></p> <p>The Blink-S field selects in which PHY states the LED blinks with the pre-defined slow frequency.</p> <p>0000<sub>B</sub><b>NONE</b> No Blinking            0001<sub>B</sub><b>LINK10</b> Blink when link is 10 Mbps            0010<sub>B</sub><b>LINK100</b> Blink when link is 100 Mbps            0011<sub>B</sub><b>LINK10X</b> Blink when link is 10/100 Mbps            0100<sub>B</sub><b>LINK1000</b> Blink when link is 1000 Mbps            0101<sub>B</sub><b>LINK10_0</b> Blink when link is 10/1000 Mbps            0110<sub>B</sub><b>LINK100X</b> Blink when link is 100/1000 Mbps            0111<sub>B</sub><b>LINK10XX</b> Blink when link is 10/100/1000 Mbps            1000<sub>B</sub><b>PDOWN</b> Blink when device is powered-down            1001<sub>B</sub><b>EEE</b> Blink when device is in EEE mode            1010<sub>B</sub><b>ANEG</b> Blink when auto-negotiation is running            1011<sub>B</sub><b>ABIST</b> Blink when analog self-test is running            1100<sub>B</sub><b>CDIAG</b> Blink when cable diagnostics are running</p>
PULSE	3:0	RW	<p><b>Pulsing Configuration</b></p> <p>The pulse field is a mask field by which certain events can be combined, e.g. TXACT RXACT, to generate a pulse on the LED in case such an event has been detected. Per default, the LED pulses with every link speed. By setting PULSEM to “1” in addition, it pulses only when the current speed matches LED0H.CON.</p> <p>0000<sub>B</sub><b>NONE</b> No pulsing            0001<sub>B</sub><b>TXACT</b> Transmit activity            0010<sub>B</sub><b>RXACT</b> Receive activity            0100<sub>B</sub><b>COL</b> Collision            1000<sub>B</sub><b>PULSEM</b> Pulse mode selection</p>

### Similar Registers

These registers are identical to the Register [LED0L](#) defined above.

**Table 69 Similar Registers**

Register Short Name	Register Long Name	Offset Address	Reset Value
LED1L	Configuration for LED Pin 1	1F.01E5 <sub>H</sub>	0000 <sub>H</sub>
LED2L	Configuration for LED Pin 2	1F.01E7 <sub>H</sub>	0000 <sub>H</sub>
LED3L	Configuration for LED Pin 3	1F.01E9 <sub>H</sub>	0020 <sub>H</sub>

**High Byte of the EEE Link-Fail Counter**

High Byte of the EEE Link-Fail Counter.

EEE_RXERR_LINK_FAIL_H	Offset	Reset Value
High Byte of the EEE Link-Fail Counter	1F.01EA <sub>H</sub>	0000 <sub>H</sub>
15		8
	Res	
7		0
	VAL	
	ro	

Field	Bits	Type	Description
VAL	7:0	RO	<b>VAL</b> High byte of the EEE_RXERR_LINK_FAIL counter. A read access to the low byte also clears the high byte of this counter.

**Low Byte of the EEE Link-Fail Counter**

Low Byte of the EEE Link-Fail Counter.

EEE_RXERR_LINK_FAIL_L	Offset	Reset Value
Low Byte of the EEE Link-Fail Counter	1F.01EB <sub>H</sub>	0000 <sub>H</sub>
15		8
	Res	
7		0
	VAL	
	ro	

Field	Bits	Type	Description
VAL	7:0	RO	<b>VAL</b> Low byte of the EEE_RXERR_LINK_FAIL counter. A read access to this byte also clears the high byte of this counter.

**Wake-On-LAN Control Register**

Wake-On-LAN Control Register.

WOLCTRL	Offset	Reset Value
Wake-On-LAN Control Register	1F.0781 <sub>H</sub>	0000 <sub>H</sub>
15		8
Res		
7	3	2 1 0
	Res	SPWD_EN RES EN
		rw ro rw

Field	Bits	Type	Description
SPWD_EN	2	RW	<b>Secure-ON Password Enable</b> When enabled, checks for the Secure-ON password after the 16 MAC address repetitions. 0 <sub>B</sub> <b>DISABLED</b> Secure-On password check is disabled 1 <sub>B</sub> <b>ENABLED</b> Secure-On password check is enabled
RES	1	RO	<b>Reserved</b> Must always be written to zero!
EN	0	RW	<b>Wake-On-LAN Enable</b> When Wake-On-LAN is enabled, the PHY scans for the configured magic packet and indicates its reception via the register bit ISTAT.WOL, and optionally also via interrupt. 0 <sub>B</sub> <b>DISABLED</b> Wake-On-LAN functionality is disabled 1 <sub>B</sub> <b>ENABLED</b> Wake-On-LAN functionality is enabled

**Wake-On-LAN Address Byte 0**

Wake-On-LAN Address Byte 0.

<b>WOLAD0</b>	<b>Offset</b>	<b>Reset Value</b>
<b>Wake-On-LAN Address Byte 0</b>	<b>1F.0783<sub>H</sub></b>	<b>0000<sub>H</sub></b>
15		8
	<b>Res</b>	
7		0
	<b>AD0</b>	
	rw	

<b>Field</b>	<b>Bits</b>	<b>Type</b>	<b>Description</b>
AD0	7:0	RW	<b>Address Byte 0</b> Defines byte 0 of the WOL-designated MAC address to which the PHY is sensitive.

**Similar Registers**

The following registers are identical to the Register **WOLAD0** defined above.

**Table 70 Similar Registers**

<b>Register Short Name</b>	<b>Register Long Name</b>	<b>Offset Address</b>	<b>Reset Value</b>
WOLAD1	Wake-On-LAN Address Byte 1	1F.0784 <sub>H</sub>	0000 <sub>H</sub>
WOLAD2	Wake-On-LAN Address Byte 2	1F.0785 <sub>H</sub>	0000 <sub>H</sub>
WOLAD3	Wake-On-LAN Address Byte 3	1F.0786 <sub>H</sub>	0000 <sub>H</sub>
WOLAD4	Wake-On-LAN Address Byte 4	1F.0787 <sub>H</sub>	0000 <sub>H</sub>
WOLAD5	Wake-On-LAN Address Byte 5	1F.0788 <sub>H</sub>	0000 <sub>H</sub>

**Wake-On-LAN SecureON Password Byte 0**

Wake-On-LAN SecureON Password Byte 0.

WOLPW0	Offset	Reset Value
Wake-On-LAN SecureON Password Byte 0	1F.0789 <sub>H</sub>	0000 <sub>H</sub>
15		8
	Res	
7		0
	PW0	
	rw	

Field	Bits	Type	Description
PW0	7:0	RW	<b>SecureON Password Byte 0</b> Defines byte 0 of the WOL-designated SecureON password to which the PHY is sensitive.

**Similar Registers**

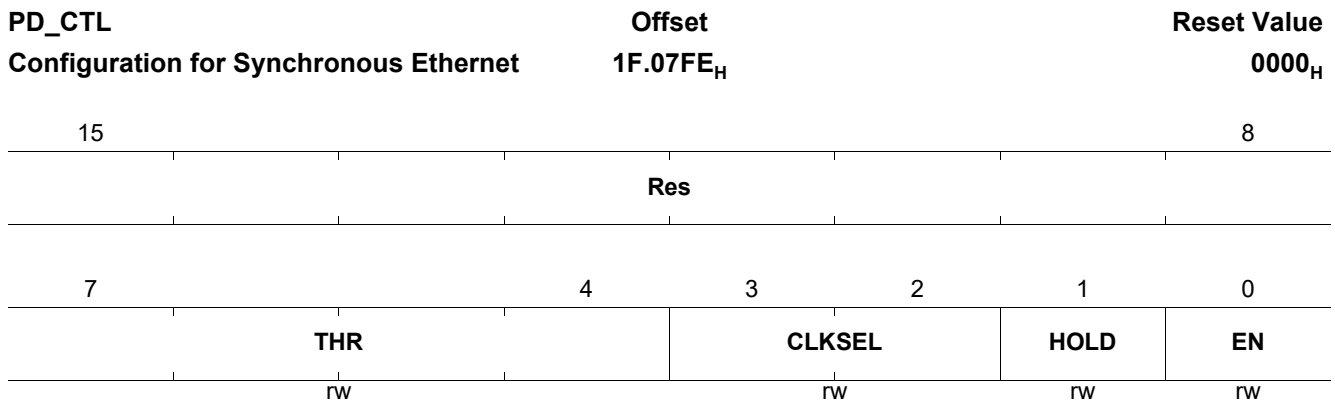
The following registers are identical to the Register **WOLPW0** defined above.

**Table 71 Similar Registers**

Register Short Name	Register Long Name	Offset Address	Reset Value
WOLPW1	Wake-On-LAN SecureON Password Byte 1	1F.078A <sub>H</sub>	0000 <sub>H</sub>
WOLPW2	Wake-On-LAN SecureON Password Byte 2	1F.078B <sub>H</sub>	0000 <sub>H</sub>
WOLPW3	Wake-On-LAN SecureON Password Byte 3	1F.078C <sub>H</sub>	0000 <sub>H</sub>
WOLPW4	Wake-On-LAN SecureON Password Byte 4	1F.078D <sub>H</sub>	0000 <sub>H</sub>
WOLPW5	Wake-On-LAN SecureON Password Byte 5	1F.078E <sub>H</sub>	0000 <sub>H</sub>

**Configuration for Synchronous Ethernet**

This register allow management configuration of the SyncE clocking reference



Field	Bits	Type	Description
THR	7:4	RW	<b>THR</b> Control the Threshold for detection of Lost of Reference clock.
CLKSEL	3:2	RW	<b>CLKSEL</b> This enable management selection of the type of reference clock we are receiving 00 <sub>B</sub> <b>AN1</b> Reference clock is 8 kHz. Special request for AN application 01 <sub>B</sub> <b>EEC1</b> Reference clock is 2.048 MHz according to EEC-Option 1 10 <sub>B</sub> <b>EEC2</b> Reference clock is 1.544 MHz according to EEC-Option 2 11 <sub>B</sub> <b>AN2</b> Reserved
HOLD	1	RW	<b>HOLD</b> Force the SyncE into HOLD over mode. This is the mode we enter when we detect Lost of reference. To hold the adapted Frequency so that we are able to sustain the reference clock generation within error of 4.6ppm. 0 <sub>B</sub> <b>NORM</b> HW control of the entry/exit of Hold-Over mode 1 <sub>B</sub> <b>FHOLD</b> Force Hold Over mode
EN	0	RW	<b>EN</b> Enable Synchronous Ethernet Support 0 <sub>B</sub> <b>DISABLE</b> Normal Ethernet operation 1 <sub>B</sub> <b>ENABLE</b> SyncE is enabled



## 5 Electrical Characteristics

This chapter defines the electrical characteristics to which the Gigabit Ethernet Switch device conforms.

*Note: This chapter is subject to change.*

### 5.1 Absolute Maximum Ratings

**Table 72** shows the absolute maximum ratings for the Gigabit Ethernet Switch.

**Attention: Stresses above the maximum values listed in this table may cause permanent damage to the device. Exposure to absolute maximum rating conditions for extended periods may affect device reliability. Maximum ratings are absolute ratings; exceeding only one of these values may cause irreversible damage to the device.**

**Table 72 Absolute Limit Ratings**

Parameter	Symbol	Values			Unit	Note / Test Condition
		Min.	Typ.	Max.		
Storage Temperature Limits	$T_{STG}$	-55.0	–	125.0	°C	–
Moisture Level 3 Temperature Limits	$T_{ML3}$	–	–	260.0	°C	According to IPS J-STD 020
DC Voltage Limits on VDDP Pins	$V_{DDP}$	-0.5	–	+3.6	V	–
DC Voltage Limits on VDDH Pins	$V_{DDH}$	-0.5	–	+3.6	V	–
DC Voltage Limits on VDDA Pins	$V_{DDA}$	-0.5	–	+3.6	V	–
DC Voltage Limits on VDDR Pins	$V_{DDR}$	-0.5	–	+3.6	V	–
DC Voltage Limits on VDDL Pins	$V_{DDL}$	-0.5	–	+1.26	V	–
DC Voltage Limits on VDDS Pins	$V_{DDS}$	-0.5	–	+1.26	V	–
DC Voltage Limits on VDD Pins	$V_{DD}$	-0.5	–	+1.26	V	–
DC Voltage Limits on Any Other Pins <sup>1)</sup> With Respect to Ground	$V_{DC}$	-0.5	–	$V_{DDx}+0.5$	V	Unless specified otherwise
ESD HBM Robustness	$V_{ESD,HBM}$	–	–	1000.0	V	According to ANSI/ESDA/JEDEC JS-001-2014
ESD CDM Robustness	$V_{ESD,CDM}$	–	–	250.0	V	According to JEDEC JESD22-C101

1) This means any pin which is not a supply pin out of one of the domains:  $V_{DDP}$ ,  $V_{DDA}$ ,  $V_{DDH}$ ,  $V_{DDR}$ ,  $V_{DDL}$ ,  $V_{DD}$ .

## 5.2 Operating Range

**Table 73** defines the limit values of voltages and temperature which may be applied to guarantee proper operation of the Gigabit Ethernet Switch.

**Table 73 Operating Range**

Parameter	Symbol	Values			Unit	Note / Test Condition
		Min.	Typ.	Max.		
Ambient Temperature Under Bias	$T_A$	0	–	70.0	°C	–
Junction Temperature	$T_J$	–	–	125.0	°C	–
Pad Supply Voltage	$V_{DDP}$	3.13	3.30	3.47	V	3.3 V supply
High Supply Voltage	$V_{DDH}$	3.13	3.30	3.47	V	3.3 V supply
XO High Supply Voltage	$V_{DDA}$	3.13	3.30	3.47	V	3.3 V supply
RGMII PAD Supply Voltage	$V_{DDR}$	3.13	3.30	3.47	V	3.3 V supply
		2.37	2.50	2.63	V	2.5 V supply
Low Supply Voltage	$V_{DDL}$	1.05	1.10	1.15	V	1.1 V supply
SGMII Low Supply Voltage	$V_{DDS}$	1.05	1.10	1.15	V	1.1 V supply
Core Supply Voltage	$V_{DD}$	1.05	1.10	1.15	V	1.1 V supply
Digital Input Voltage (Except RGMII Pins)	$V_{ID}$	-0.30	–	$V_{DDP}+0.3$	V	–
Digital Input Voltage (RGMII Pins)	$V_{ID}$	0.00	–	$V_{DDR}$	V	–
XTAL1 Input Voltage	$V_{ID}$	-0.30	–	$V_{DDA}+0.3$	V	–
Ground	$V_{SS}$	0.00	0.00	0.00	V	–

**Attention:** Operations above the max. values listed here for extended periods can adversely affect long-term reliability of the device.

### 5.3 Power Consumption

**Attention:** The Reset Request Register (**RST\_REQ**) bits 2 and 3 must always be written as '1'.

**Table 74 Power Consumption**

Parameter	Symbol	Values			Unit	Note / Test Condition
		Min.	Typ.	Max.		
<b>MAX POWER CASE: 4-GPHY-ports 1G link+traffic, 100m cable; SGMII+ trafic, RGMII traffic</b>						
	$I_{DDH}$	–	260	280	mA	$V_{DDH} = 3.3\text{ V}, T_A = 25\text{ }^\circ\text{C}$
	$I_{DDL}$	–	420	450	mA	$V_{DDL} = 1.1\text{ V}, T_A = 25\text{ }^\circ\text{C}$
	$I_{DD/DDS}$	–	760	840	mA	$V_{DD/DDS} = 1.1\text{ V}, T_A = 25\text{ }^\circ\text{C}$
	$I_{DDP/DDR/DDA}$	–	7	10	mA	$V_{DDP/DDR/DDA} = 3.3\text{ V}, T_A = 25\text{ }^\circ\text{C}$
<b>10m POWER CASE: 4-GPHY-ports 1G link+traffic, 10m cable; SGMII+ trafic, RGMII traffic</b>						
	$I_{DDH}$	–	260	280	mA	$V_{DDH} = 3.3\text{ V}, T_A = 25\text{ }^\circ\text{C}$
	$I_{DDL}$	–	380	430	mA	$V_{DDL} = 1.1\text{ V}, T_A = 25\text{ }^\circ\text{C}$
	$I_{DD/DDS}$	–	660	750	mA	$V_{DD/DDS} = 1.1\text{ V}, T_A = 25\text{ }^\circ\text{C}$
	$I_{DDP/DDR/DDA}$	–	7	10	mA	$V_{DDP/DDR/DDA} = 3.3\text{ V}, T_A = 25\text{ }^\circ\text{C}$
<b>100BASE-T POWER CASE: 4-GPHY-ports 100Mbps link+traffic, 100m cable; SGMII+ trafic, RGMII traffic</b>						
	$I_{DDH}$	–	120	140	mA	$V_{DDH} = 3.3\text{ V}, T_A = 25\text{ }^\circ\text{C}$
	$I_{DDL}$	–	200	220	mA	$V_{DDL} = 1.1\text{ V}, T_A = 25\text{ }^\circ\text{C}$
	$I_{DD/DDS}$	–	300	350	mA	$V_{DD/DDS} = 1.1\text{ V}, T_A = 25\text{ }^\circ\text{C}$
	$I_{DDP/DDR/DDA}$	–	7	10	mA	$V_{DDP/DDR/DDA} = 3.3\text{ V}, T_A = 25\text{ }^\circ\text{C}$
<b>EEE NO-TRAFFIC POWER CASE: 4-GPHY-ports 1G link no-traffic, SGMII+ IDLE, RGMII IDLE</b>						
	$I_{DDH}$	–	65	80	mA	$V_{DDH} = 3.3\text{ V}, T_A = 25\text{ }^\circ\text{C}$
	$I_{DDL}$	–	160	180	mA	$V_{DDL} = 1.1\text{ V}, T_A = 25\text{ }^\circ\text{C}$
	$I_{DD/DDS}$	–	370	410	mA	$V_{DD/DDS} = 1.1\text{ V}, T_A = 25\text{ }^\circ\text{C}$
	$I_{DDP/DDR/DDA}$	–	7	10	mA	$V_{DDP/DDR/DDA} = 3.3\text{ V}, T_A = 25\text{ }^\circ\text{C}$
<b>NO-LINK POWER CASE: 4-GPHY-ports no-link+trafic, SGMII+ IDLE, RGMII IDLE</b>						
	$I_{DDH}$	–	55	60	mA	$V_{DDH} = 3.3\text{ V}, T_A = 25\text{ }^\circ\text{C}$
	$I_{DDL}$	–	80	90	mA	$V_{DDL} = 1.1\text{ V}, T_A = 25\text{ }^\circ\text{C}$
	$I_{DD/DDS}$	–	240	270	mA	$V_{DD/DDS} = 1.1\text{ V}, T_A = 25\text{ }^\circ\text{C}$
	$I_{DDP/DDR/DDA}$	–	7	10	mA	$V_{DDP/DDR/DDA} = 3.3\text{ V}, T_A = 25\text{ }^\circ\text{C}$
<b>RESET POWER CASE: 4-GPHY-ports Reset, SGMII+ Reset, RGMII Reset</b>						
	$I_{DDH}$	–	23	30	mA	$V_{DDH} = 3.3\text{ V}, T_A = 25\text{ }^\circ\text{C}$
	$I_{DDL}$	–	7	10	mA	$V_{DDL} = 1.1\text{ V}, T_A = 25\text{ }^\circ\text{C}$
	$I_{DD/DDS}$	–	10	15	mA	$V_{DD/DDS} = 1.1\text{ V}, T_A = 25\text{ }^\circ\text{C}$
	$I_{DDP/DDR/DDA}$	–	1	3	mA	$V_{DDP/DDR/DDA} = 3.3\text{ V}, T_A = 25\text{ }^\circ\text{C}$

## 5.4 DC Characteristics

The following sections investigate the DC characteristics of the Gigabit Ethernet Switch external interfaces.

### 5.4.1 Digital Interfaces

This section defines the DC characteristics of the digital interfaces.

#### 5.4.1.1 GPIO Interfaces

This section defines the DC characteristics of the GPIO Interface comprised of the following interfaces.

- MDIO
- SPI
- UART
- Interrupts
- Clock Outputs
- General Purpose IO
- LED
- JTAG

**Table 75** summarizes the DC characteristics for  $V_{DDP}=3.3$  V.

**Table 75 DC Characteristics of the GPIO Interfaces (VDDP=3.3V)**

Parameter	Symbol	Values			Unit	Note / Test Condition
		Min.	Typ.	Max.		
Input High Voltage	$V_{IH}$	$0.7 \cdot V_{DDP}$	–	$V_{DDP}+0.3$	V	–
Input Low Voltage	$V_{IL}$	–0.3	–	$0.3 \cdot V_{DDP}$	V	–
Output High Voltage	$V_{OH}$	$V_{DDP}-0.4$	–	–	V	$I_{OH}= 2, 4, 8, 12$ mA
Output Low Voltage	$V_{OL}$	–	–	0.4	V	$I_{OL}= 2, 4, 8, 12$ mA

#### 5.4.1.2 RGMII Transmit Interface

This section defines the DC characteristics of the RGMII transmit Interface. **Table 76** summarizes the DC characteristics valid for  $V_{DDR}=2.5$  V and  $V_{DDR}=3.3$  V.

**Table 76 DC Characteristics of the Transmit RGMII Interface**

Parameter	Symbol	Values			Unit	Note / Test Condition
		Min.	Typ.	Max.		
Output High Voltage	$V_{OH}$	2.1	–	$V_{DDR}+0.3$	V	5 pF
Output Low Voltage	$V_{OL}$	0	–	0.5	V	5 pF

### 5.4.1.3 RGMII Receive Interface

This section defines the DC characteristics of the RGMII receive Interface. [Table 77](#) summarizes the DC characteristics valid for  $V_{\text{DDR}}=2.5\text{ V}$  and  $V_{\text{DDR}}=3.3\text{ V}$ .

**Table 77 DC Characteristics of the Receive RGMII Interface**

Parameter	Symbol	Values			Unit	Note / Test Condition
		Min.	Typ.	Max.		
Input High Voltage	$V_{\text{IH}}$	1.7	–	–	V	–
Input Low Voltage	$V_{\text{IL}}$		–	0.7	V	–

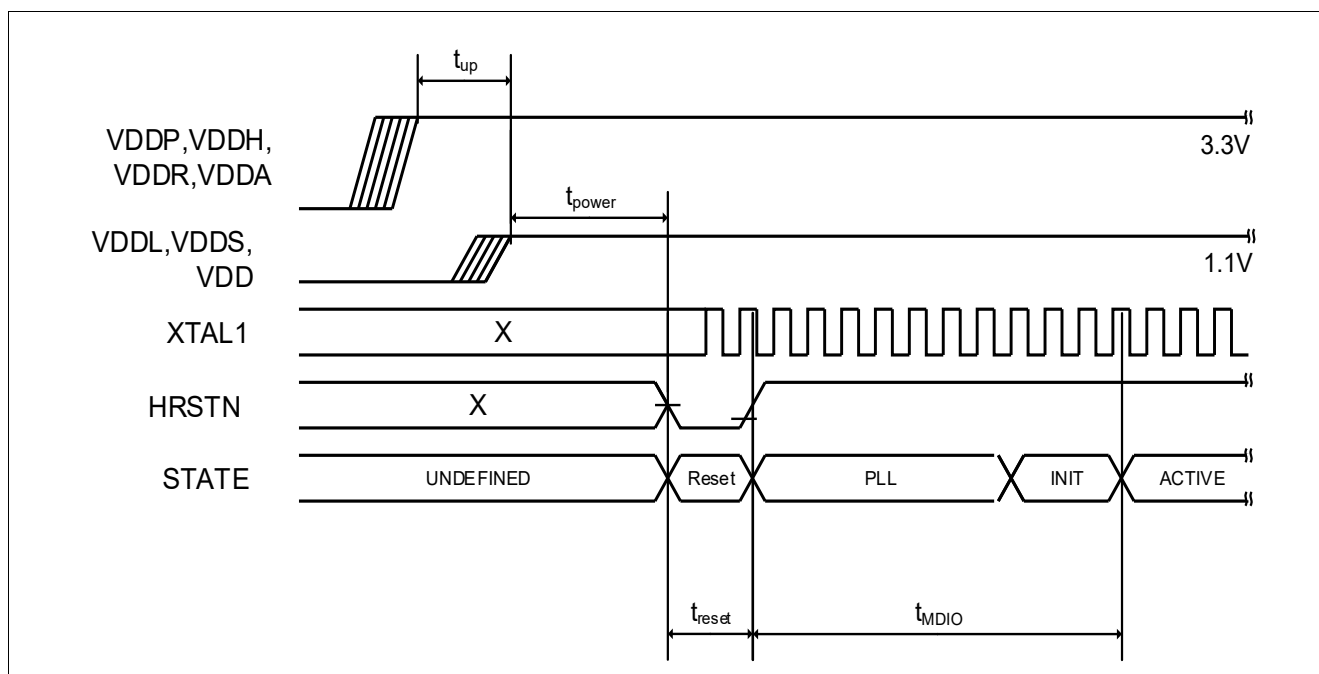
## 5.5 AC Characteristics

The following sections describe the AC characteristics of the external interfaces. The load capacitors are according to the specific interface standard. All non-specified interfaces use 30 pF as assumed loading.

### 5.5.1 Reset

Gigabit Ethernet Switch supports an asynchronous hardware reset HRSTN. **Table 78** lists the timing requirements on the HRSTN pin to the GSW140. **Figure 50** depicts the signal sequence waveforms illustrating the timings.

It is recommended that the voltage 3.3 V powers up before voltage 1.1 V. Voltage 1.1 V must never be higher than voltage 3.3 V ramp. Voltage 1.1 V must power up within  $t_{up}$  after 3.3 V powers up. After the power-supply settling time, all primary input signals to the GSW140 must be defined. In particular, this is valid for the device reset HRSTN. This reset must be held for a  $t_{reset}$  time. After releasing the reset, the integrated PLL locks on the reference clock and the device boots up.



**Figure 50** Timing Diagram for the GSW140 Reset Sequence

**Table 78** AC Characteristics of the HRSTN Pin

Parameter	Symbol	Values			Unit	Note / Test Condition
		Min.	Typ.	Max.		
Power Supply Sequence Time	$t_{up}$	–	–	100.0	ms	–
Power Supply Settling Time	$t_{power}$	–	–	50.0	ms	–
Reset Time	$t_{reset}$	200.0	–	–	ms	–
First MDIO Access after Reset Release	$t_{MDIO}$	300.0	–	–	ms	–

## 5.5.2 Power Supply

**Table 79** lists the AC characteristics of the power supplies.

**Table 79 AC Characteristics of the Power Supply**

Parameter	Symbol	Values			Unit	Note / Test Condition
		Min.	Typ.	Max.		
Power Supply Ripple on VDDL	$R_{VDDL}$	–	–	30.0	mV	Peak value
Power Supply Ripple on VDDS	$R_{VDDL}$	–	–	30.0	mV	Peak value
Power Supply Ripple on VDD	$R_{VDD}$	–	–	30.0	mV	Peak value
Power Supply Ripple on VDDP	$R_{VDDP}$	–	–	100.0	mV	Peak value
Power Supply Ripple on VDDH	$R_{VDDH}$	–	–	30.0	mV	Peak value
Power Supply Ripple on VDDA	$R_{VDDH}$	–	–	30.0	mV	Peak value
Power Supply Ripple on VDDR	$R_{VDDR}$	–	–	100.0	mV	Peak value

## 5.5.3 Input Clock

**Table 80** lists the input clock requirements when not using a crystal, i.e. when an external reference clock is injected into the XTAL1 pin of the Gigabit Ethernet Switch, e.g. nominal frequency, frequency deviation, duty cycle and signal characteristics. When a crystal is applied to generate the reference clock using the integrated XO, the clock requirements stated here are explicitly met as long as the specification for the crystal is satisfied.

**Table 80 AC Characteristics of Input Clock on XTAL1 pin**

Parameter	Symbol	Values			Unit	Note / Test Condition
		Min.	Typ.	Max.		
Frequency with 25 MHz Input	$f_{clk25}$	–	25.0	–	MHz	–
Frequency with 40 MHz Input	$f_{clk40}$	–	40.0	–	MHz	–
Frequency Deviation		-50.0	–	+50.0	ppm	–
Duty Cycle		45.0	50.0	55.0	%	–
XTAL1 Input Swing		0.9	-	$V_{DDA}$	V	–
Rise/Fall-Times		–	–	2.0	ns	-

## 5.5.4 Output Clock

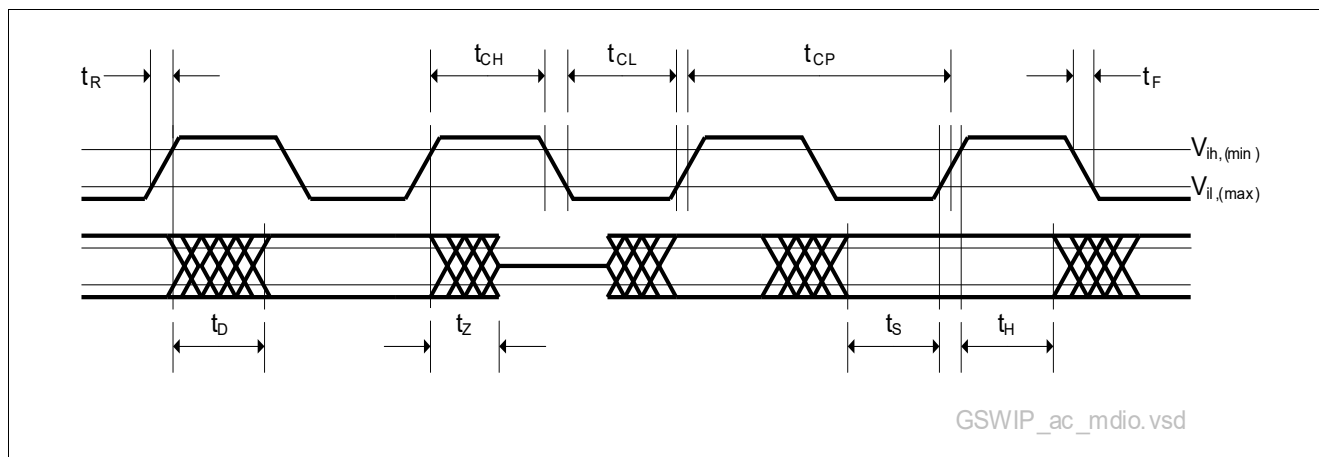
**Table 81** lists the output clock requirements on the GPC pin from the Gigabit Ethernet Switch, e.g. nominal frequency, frequency deviation, duty cycle and signal characteristics.

**Table 81 AC Characteristics of Output Clock on GPC pin**

Parameter	Symbol	Values			Unit	Note / Test Condition
		Min.	Typ.	Max.		
Frequency Deviation		-50.0	–	+50.0	ppm	–
Duty Cycle		45.0	50.0	55.0	%	–
Rise/Fall-Times		–	–	2.0	ns	10 pF load

### 5.5.5 MDIO Interface

**Figure 51** shows a timing diagram of the MDIO interface for a clock cycle in the read-, write- and turnaround-modus, respectively. The timing measures are annotated. **Table 82** summarizes the defined absolute values.



**Figure 51** Timing Diagram for the MDIO Interface

**Table 82** Timing Characteristics of the MDIO Interface

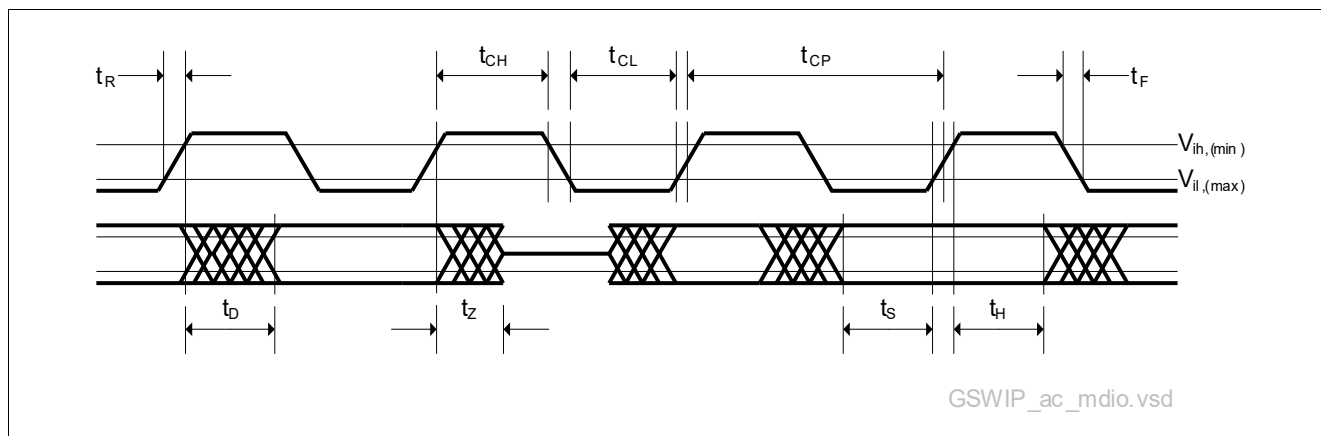
Parameter	Symbol	Values			Unit	Note / Test Condition
		Min.	Typ.	Max.		
MDC High Time	$t_{CH}$	10.0	–	–	ns	Given timings are all subject to the MDC at the pin of the Gigabit Ethernet Switch.
MDC Low Time	$t_{CL}$	10.0	–	–	ns	
MDC Clock Period	$t_{CP}$	58.8	400.0	–	ns	
MDC Clock Frequency <sup>1)</sup>	$t_{CP}$	–	2.5	17.0	MHz	
MDC Rise Time	$t_R$	–	–	5.0	ns	
MDC Fall Time	$t_F$	–	–	5.0	ns	
MDIO Input Setup Time subject to $\uparrow$ MDC	$t_S$	10.0	–	–	ns	Gigabit Ethernet Switch receive
MDIO Input Hold Time subject to $\uparrow$ MDC	$t_H$	0.0	–	–	ns	Gigabit Ethernet Switch receive
MDIO Output Delay subject to $\uparrow$ MDC	$t_D$	10.0	–	$t_{CP}-10$	ns	Gigabit Ethernet Switch transmit
<b>Standard at 2.5 MHz</b>						
MDIO Output Delay subject to $\uparrow$ MDC	$t_D$	0.0	–	300.0	ns	PHY transmit
MDIO Output Setup Time subject to $\uparrow$ MDC	$t_S$	10.0	–	–	ns	MAC transmit
MDIO Output Hold Time subject to $\uparrow$ MDC	$t_H$	10.0	–	–	ns	MAC transmit

1) MDC clock supports range of frequencies, up to 25 MHz. Default/typical frequency is 2.5 MHz.



### 5.5.6 SMDIO Interface

**Figure 52** shows a timing diagram of the SMDIO interface for a clock cycle in the read-, write- and turnaround-modus, respectively. The timing measures are annotated. **Table 83** summarizes the defined absolute values.



**Figure 52** Timing Diagram for the SMDIO Interface

**Table 83** Timing Characteristics of the SMDIO Interface

Parameter	Symbol	Values			Unit	Note / Test Condition
		Min.	Typ.	Max.		
MDC High Time	$t_{CH}$	10.0	–	–	ns	Given timings are all subject to the MDC at the pin of the Gigabit Ethernet Switch.
MDC Low Time	$t_{CL}$	10.0	–	–	ns	
MDC Clock Period	$t_{CP}$	40.0	400.0	–	ns	
MDC Clock Frequency <sup>1)</sup>	$t_{CP}$	–	2.5	25.0	MHz	
MDC Rise Time	$t_R$	–	–	5.0	ns	
MDC Fall Time	$t_F$	–	–	5.0	ns	
MDIO Input Setup Time subject to ↑ MDC	$t_S$	10.0	–	–	ns	Gigabit Ethernet Switch receive
MDIO Input Hold Time subject to ↑ MDC	$t_H$	10.0	–	–	ns	Gigabit Ethernet Switch receive
MDIO Output Delay Time subject to ↑ MDC	$t_D$	0.0	–	10	ns	Gigabit Ethernet Switch transmit
<b>Standard at 2.5 MHz</b>						
MDIO Output Delay subject to ↑ MDC	$t_D$	0.0	–	300.0	ns	PHY transmit
MDIO Output Setup Time subject to ↑ MDC	$t_S$	10.0	–	–	ns	MAC transmit
MDIO Output Hold Time subject to ↑ MDC	$t_H$	10.0	–	–	ns	MAC transmit

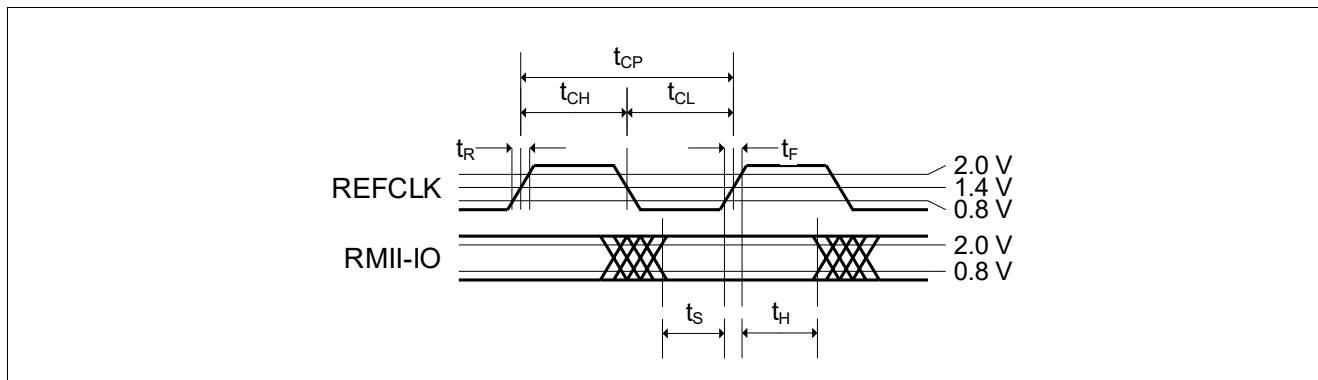
1) MDC clock supports range of frequencies, up to 25 MHz. Default/typical frequency is 2.5 MHz.

### 5.5.7 RMI Interface Timing Characteristics

This section describes the AC characteristics of the RMI interface on the Gigabit Ethernet Switch.

This interface conforms to the RMI specification as defined by the RMI Consortium in [4]. **Figure 53** shows the timing diagram of the transmit RMI interface on the Gigabit Ethernet Switch. **Table 84** specifies the timing requirements at 100 Mbit/s.

The values provided in **Table 84** apply as setup and hold timings for all inputs (TXD[1:0], TX\_EN) and as output delay to all outputs (RXD[1:0], CRS\_DV, and RX\_ER) of this interface.



**Figure 53** Transmit/Receive Timing Diagram of the RMI

**Table 84** Timing Characteristics of the RMI at 100 Mbit/s

Parameter	Symbol	Values			Unit	Note / Test Condition
		Min.	Typ.	Max.		
Reference Clock Period	$t_{CP}$	19.999	20.00	20.001	ns	±50 ppm
Reference Clock Frequency	$F_{REF}$	50.00 -50 ppm	50.00	50.00 +50 ppm	MHz	±50 ppm
Reference Clock High Time	$t_{CH}$	7.00	10.00	13.00	ns	–
Reference Clock Low Time	$t_{CL}$	7.00	10.00	13.00	ns	–
Reference Clock Duty Cycle	$D = t_{CH}/t_{CL}$	35.00	50.00	65.00	%	–
Rise Time (Clock and Data)	$t_R$	1.00	–	5.00	ns	–
Fall Time (Clock and Data)	$t_F$	1.00	–	5.00	ns	–
Setup Time/Output Delay Subject to ↑ REFCLK	$t_S$	4.00	–	–	ns	–
Hold Time/Output Delay Subject to ↑ REFCLK	$t_H$	2.00	–	–	ns	–

### 5.5.8 RGMII Interface Timing Characteristics

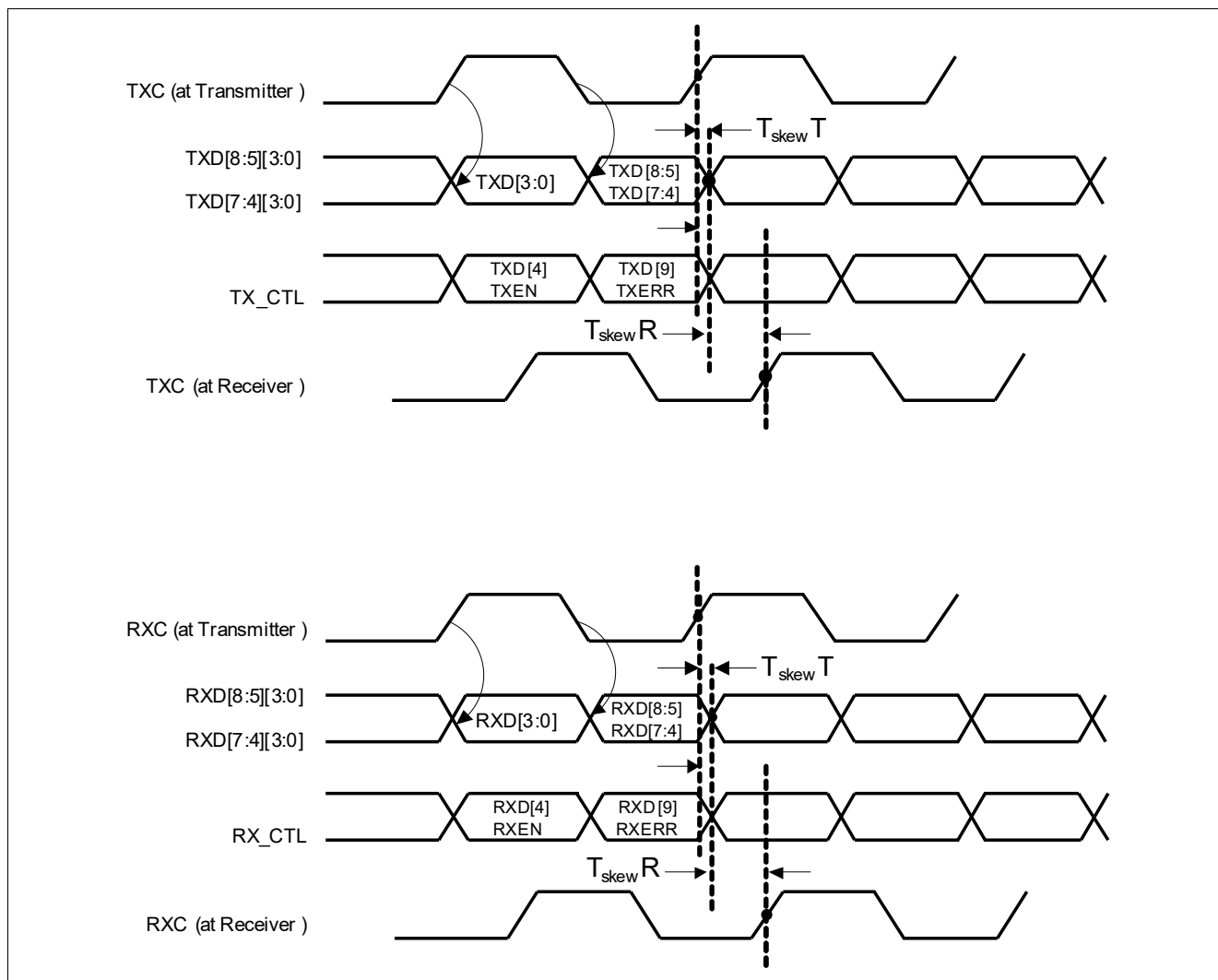
The following sections investigate the timing characteristics of the xMII interfaces.

#### 5.5.8.1 RGMII Interface

This section investigates the timing characteristics of the RGMII interface at the Gigabit Ethernet Switch. Unless no HSTL voltages are supported, this interface is conform to the RGMII specification v1.3 and v2.0. The RGMII interface can operate at speeds of 10 Mbps, 100 Mbps and 1000 Mbps.

#### Timing Characteristics

**Figure 54** shows the timing diagram of the RGMII interface at the Gigabit Ethernet Switch. **Table 85** characterizes the timing requirements. The setup and hold times are subject to the internal version of the TX\_CLK/RX\_CLK which is the external clock delayed by the integrated delay and adjustable in steps of 0.5 ns via PCDU register configuration. When the integrated delay is not used, e.g. because its implemented externally by PCB wire delays, it must be set to zero in which case all the timings are related directly to the TX\_CLK/RX\_CLK at the pin.



**Figure 54** Timing Diagram of the RGMII

**Table 85 Timing Characteristics of the RGMII**

Parameter	Symbol	Values			Unit	Note / Test Condition
		Min.	Typ.	Max.		
Clock Frequency (RX_CLK/TX_CLK)	$f_{CLK}$	-50ppm	125.0	+ 50ppm	MHz	For 1000 Mbps speed.
		-50ppm	25.0	+ 50ppm	MHz	For 100 Mbps speed.
		-50ppm	2.5	+ 50ppm	MHz	For 10 Mbps speed.
Clock Period (RX_CLK/TX_CLK)	$t_{CP}$	7.2	8.0	8.8	ns	For 1000 Mbps speed.
		36.0	40.0	44.0	ns	For 100 Mbps speed.
		360.0	400.0	440.0	ns	For 10 Mbps speed.
Duty Cycle <sup>1)</sup>	$t_H/t_{CP}, t_L/t_{CP}$	45.0	50.0	55.0	%	Speed independent
Clock Rise Time (RX_CLK/TX_CLK)	$t_R$	–	–	750.0	ps	20% → 80%
Clock Fall Time (RX_CLK/TX_CLK)	$t_F$	–	–	750.0	ps	80% → 20%
Clock to Data Skew at Transmitter	$t_{SkewT}$	-0.5	0.0	0.5	ns	
Clock to Data Skew at Receiver	$t_{SkewR}$	1	1.8	2.6	ns	
Integrated Receive Clock Delay	$t_{ID}$	0.0	k*0.5	3.5	ns	Adjustable via registers

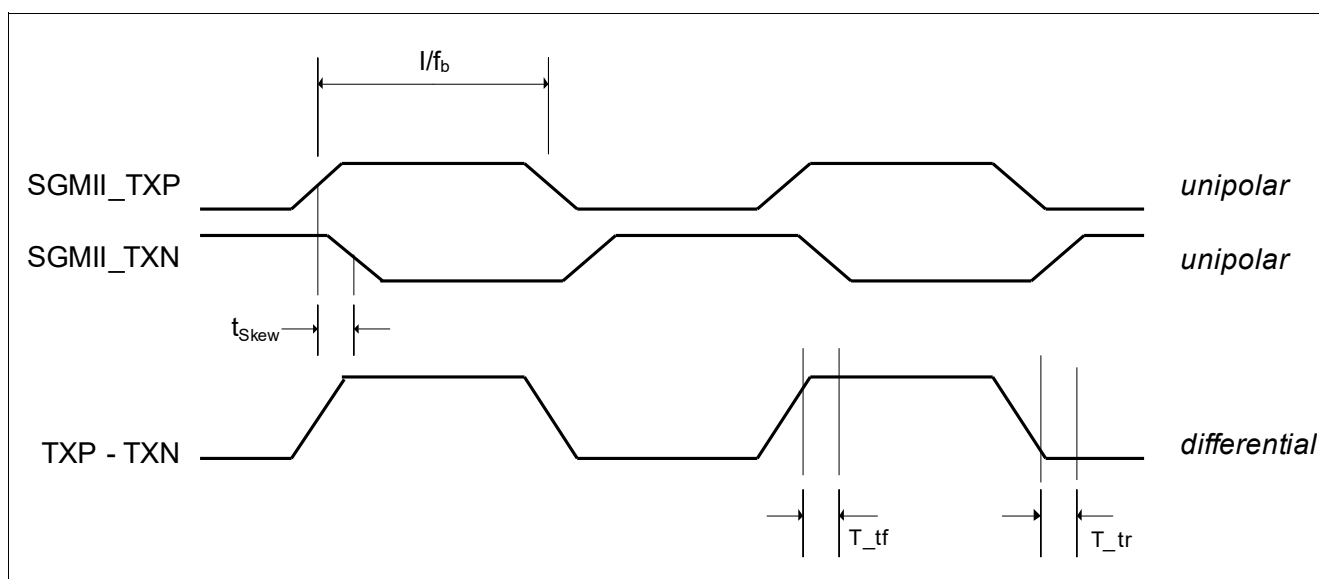
1) Duty Cycle may be stretched/shrunk during speed changes. Such an even last no longer than three  $t_{CP}$  at lowest speed.

### 5.5.8.2 SGMII Interface

This section describes the AC characteristics of the SGMII Interface on the GSW140. This interface conforms to the CEI-6G-SR Specification, as defined in [3]. The SGMII interface can operate at 3.125 Gbaud (maximum). The maximum net data-rate is 2500 Mbps.

#### 5.5.8.2.1 Transmit Timing Characteristics

Figure 55 shows the timing diagram of the transmit SGMII interface at the GSW140. Table 86 specifies the timing requirements.


**Figure 55 Transmit Timing Diagram of the SGMII (Shows Alternating Data Sequence)**

**Table 86 Transmit Timing Characteristics of the SGMII**

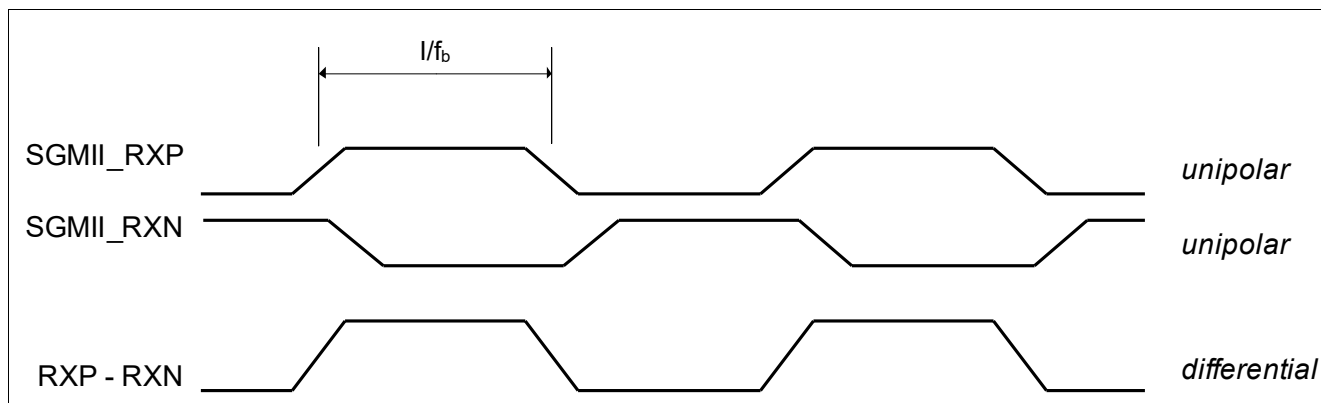
Parameter	Symbol	Values			Unit	Note / Test Condition
		Min.	Typ.	Max.		
Transmit Baud Rate	$f_b$	-100 ppm	$f_b$	+ 100 ppm	Mbaud	$f_b = 1.25/2.5/3.125$ Gbaud
Differential Transmit Rise Time	$T_{tr}$	30 ps	–	0.25 UI	–	20% → 80% <sup>1)</sup>
Differential Transmit Fall Time	$T_{rf}$	30 ps	–	0.25 UI	–	80% → 20%
Output Timing Jitter	$T_{TJ}$	–	–	0.30	UI <sub>pp</sub>	2)
Time Skew Between Pairs	$t_{skew}$	–	–	15	ps	–
Output Differential Voltage	$V_{OD}$	400	–	1600	mV	Peak-peak amplitude
Output Impedance (Differential)	$R_O$	80	100	120	Ω	–

1)  $UI = 1/f_b$

2) Refer to [3] for details.

### 5.5.8.2.2 Receive Timing Characteristics

Figure 56 shows the timing diagram of the receive SGMII interface on the GSW140. Table 87 specifies the timing requirements.

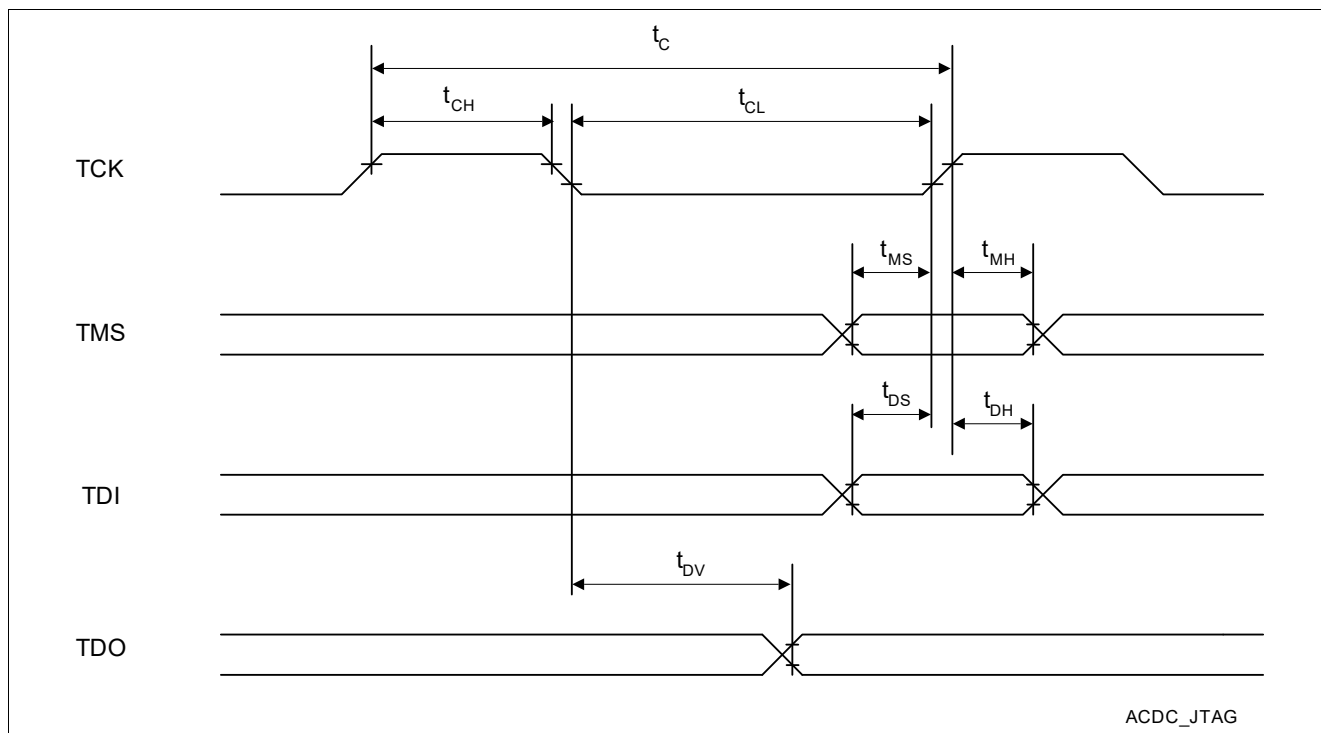

**Figure 56 Receive Timing Diagram of the SGMII (Alternating Data Input Sequence)**
**Table 87 Receive Timing Characteristics of the SGMII**

Parameter	Symbol	Values			Unit	Note / Test Condition
		Min.	Typ.	Max.		
Receive Baud Rate	$f_b$	-100 ppm	$f_b$	+ 100 ppm	Mbaud	$f_b = 1.25/2.5/3.125$ Gbaud
Receive Data Jitter Tolerance	$R_{TJ}$	–	–	0.6	UI <sub>pp</sub> <sup>1)</sup>	–
Input Differential Voltage	$V_{ID}$	200	–	1600	mV	peak-peak amplitude
Input Impedance (Differential)	$R_I$	80	100	120	Ω	–

1) Refer to [3] for details.

### 5.5.9 Test Interface

The test interface is used for boundary scan.



**Figure 57 Test Interface Timing**

[Table 88](#) and [Table 89](#) describe the timing values.

**Table 88 Test Interface Clock**

Parameter	Symbol	Values			Unit	Note / Test Condition
		Min.	Typ.	Max.		
TCK Clock Period	$t_C$	100	–	–	ns	–
TCK High Time	$t_{CH}$	40	–	–	ns	–
TCK Low Time	$t_{CL}$	40	–	–	ns	–

**Table 89 JTAG Timing**

Parameter	Symbol	Values			Unit	Note / Test Condition
		Min.	Typ.	Max.		
TMS Setup Time	$t_{MS}$	40	–	–	ns	–
TMS Hold Time	$t_{MH}$	40	–	–	ns	–
TDI Setup Time	$t_{DS}$	40	–	–	ns	–
TDI Hold Time	$t_{DH}$	40	–	–	ns	–
Hold: $\overline{TRST}$ After TCK	$t_{HD}$	10	–	–	ns	–
TDO Valid Delay	$t_{DV}$	–	–	60	ns	–

### 5.5.10 Crystal Specification

In the reference design, the crystal is attached to the Gigabit Ethernet Switch SoC and must follow the specifications found in [Table 90](#).

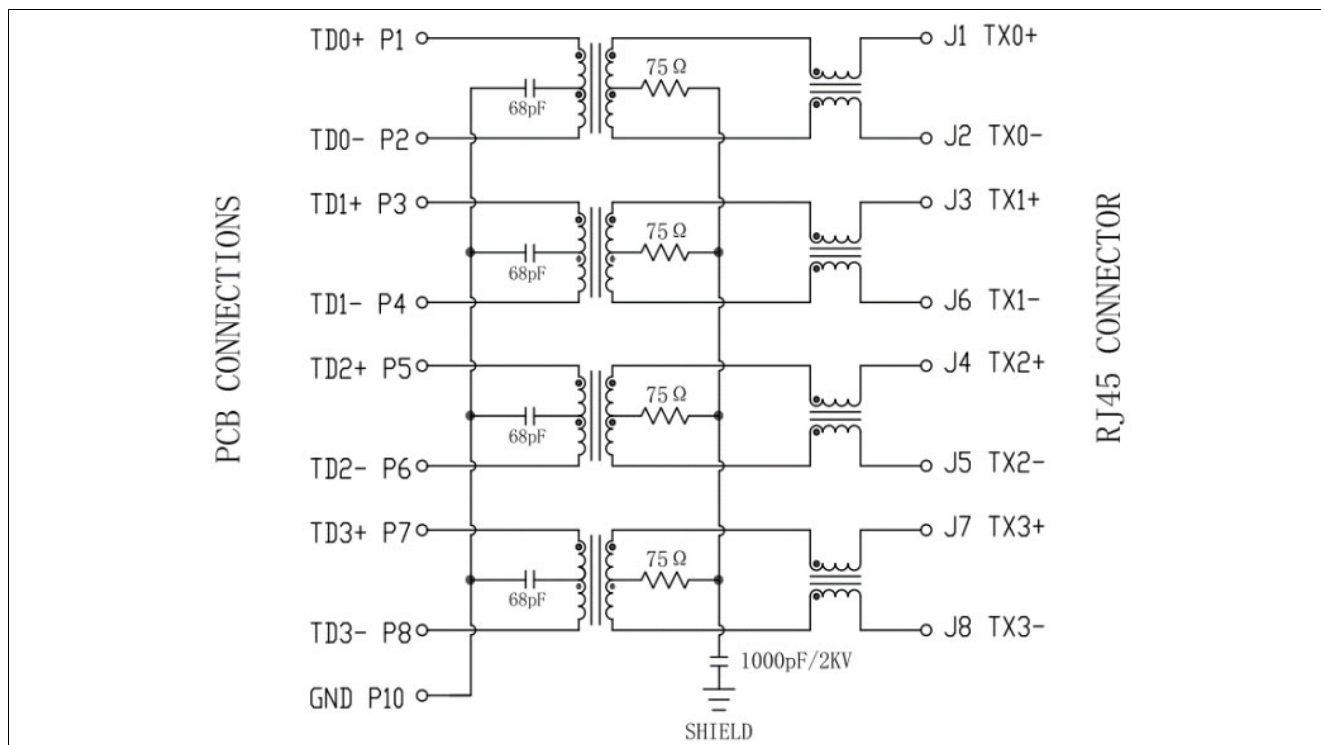
**Table 90 Specification of the Crystal**

Parameter	Symbol	Values			Unit	Note / Test Condition
		Min.	Typ.	Max.		
Frequency with 25 MHz Input	$f_{clk25}$	–	25.0	–	MHz	–
Frequency with 40 MHz Input	$f_{clk40}$	–	40.0	–	MHz	–
Total Frequency Stability	–	-50	–	+50	ppm	Refer to sum of all effects: e.g. general tolerance, aging, temperature dependency
Series Resonant Resistance	–	–	–	40	$\Omega$	–
Drive Level	–	0.08	0.10	0.2	mW	–
Load Capacitance	$C_L$	16	-	30	pF	–
Shunt Capacitance	$C_0$	–	-	7	pF	–

### 5.5.11 Transformers (Magnetics)

GSW140 supports both types of common mode choke on the PHY side or Line side transformer configuration. [Figure 58](#) and [Figure 59](#) show these configurations.

*Note: Refer to the electrical isolation requirement before using the Integrated Connector Module (ICM) transformer.*



**Figure 58 Schematic of a Transformer with CMC on Line**

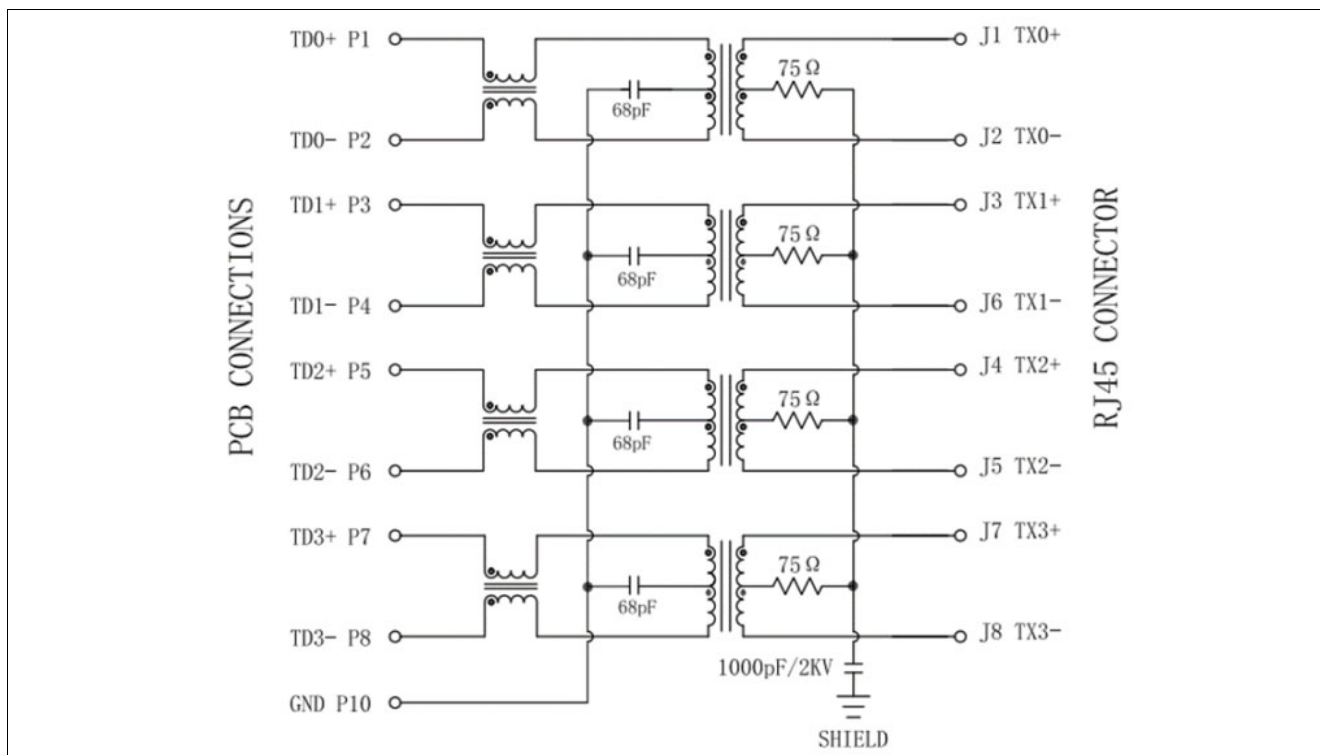


Figure 59 Schematic of a Transformer with CMC on PHY Side

Table 91 specifies the electrical characteristics of the supported transformer devices. The listed specifications guarantee proper operation according to IEEE 802.3.

Table 91 Electrical Characteristics for Supported Transformers (Magnetics)

Parameter	Symbol	Values			Unit	Note / Test Condition
		Min.	Typ.	Max.		
Turns ratio	1:tr	0.95	1.00	1.05		±5%
Differential-to-common-mode rejection	DCMR	43	–	–	dB	30 MHz
		37	–	–	dB	60 MHz
		33	–	–	dB	100 MHz
Crosstalk attenuation	CTA	45	–	–	dB	30 MHz
		40	–	–	dB	60 MHz
		35	–	–	dB	100 MHz
Insertion loss	IL	–	–	1	dB	0.1 MHz ≤ f ≤ 100 MHz
Return loss	RL	18.0	–	–	dB	1 MHz ≤ f ≤ 30 MHz
		14.0	–	–	dB	31 MHz ≤ f ≤ 40 MHz
		13.0	–	–	dB	41 MHz ≤ f ≤ 50 MHz
		12.0	–	–	dB	51 MHz ≤ f ≤ 80 MHz
		10.0	–	–	dB	81 MHz ≤ f ≤ 100 MHz

Note: These characteristics represent the bare minimum for achieving standard performance. Since the transformer significantly impacts the link performance, it is possible to increase the loop reach by selecting transformers with improved parameters.





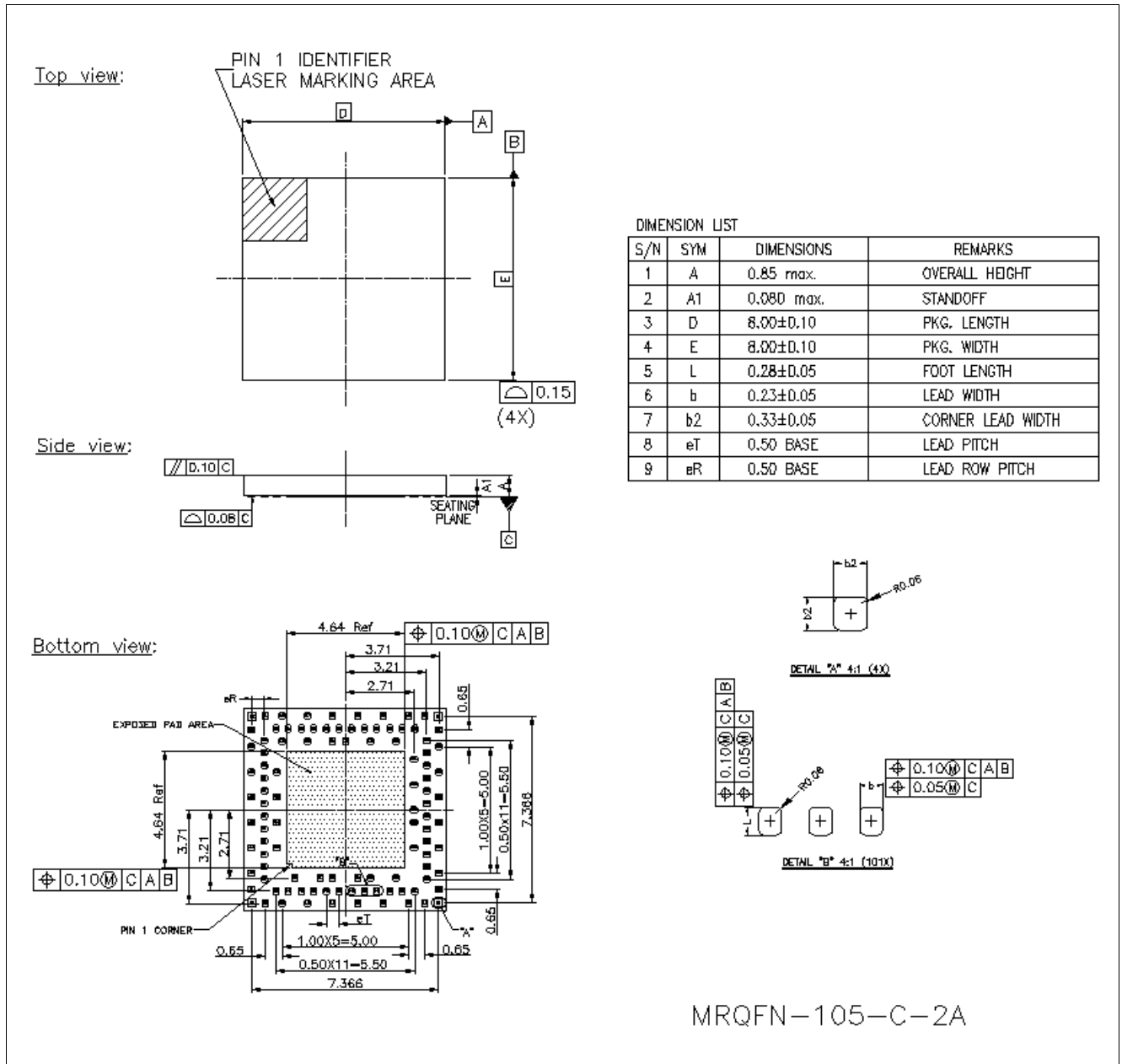


Figure 61 MRQFN 8 mm x 8 mm Package Dimensions

## 6.2 LGA-105 Package

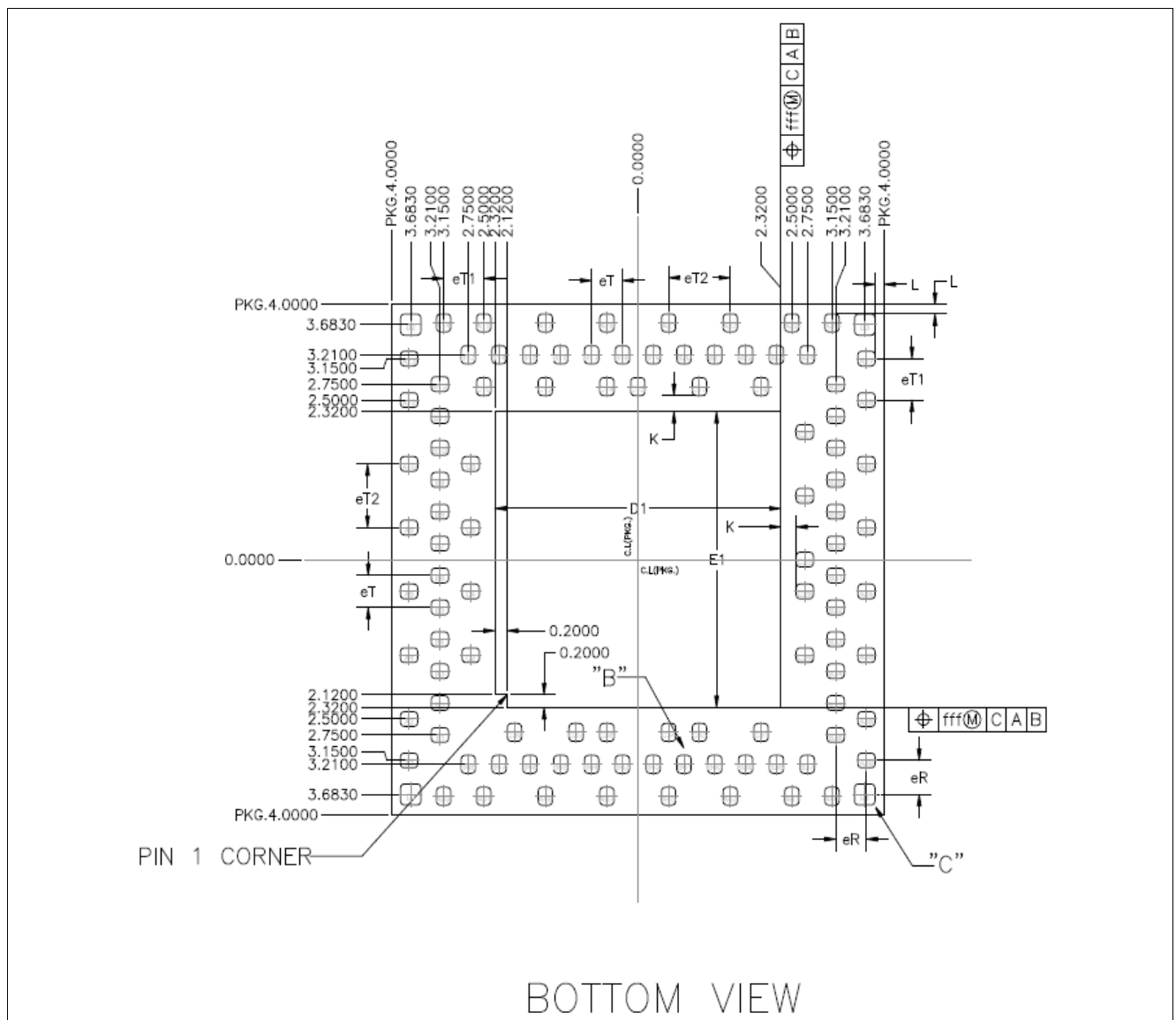
This section describes the LGA-105 package.

**Table 93 JEDEC Thermal Resistance LGA-105 Package Parameters**

Item	Description/Value
Package Type	LGA-105
Thermal Resistance Junction to Ambient (Reference to JEDEC JESD51-2)	$R_{th,JA} = 25.53 \text{ K/W}$ $\Psi_{iJCTop} = 0.24 \text{ K/W}$ $\Psi_{iJB} = 14.47 \text{ K/W}$
Thermal Resistance Junction to Case (Reference to JEDEC JESD15-3)	$R_{th,JCTop} = 20.49 \text{ K/W}$ $R_{th,JB} = 10.96 \text{ K/W}$

Note: The 4-layer PCB is used and the number of PCB Thermal Vias is 14.

Figure 62 and Figure 63 show the package outline and dimensions.



**Figure 62 LGA 8 mm x 8 mm Package Outline**

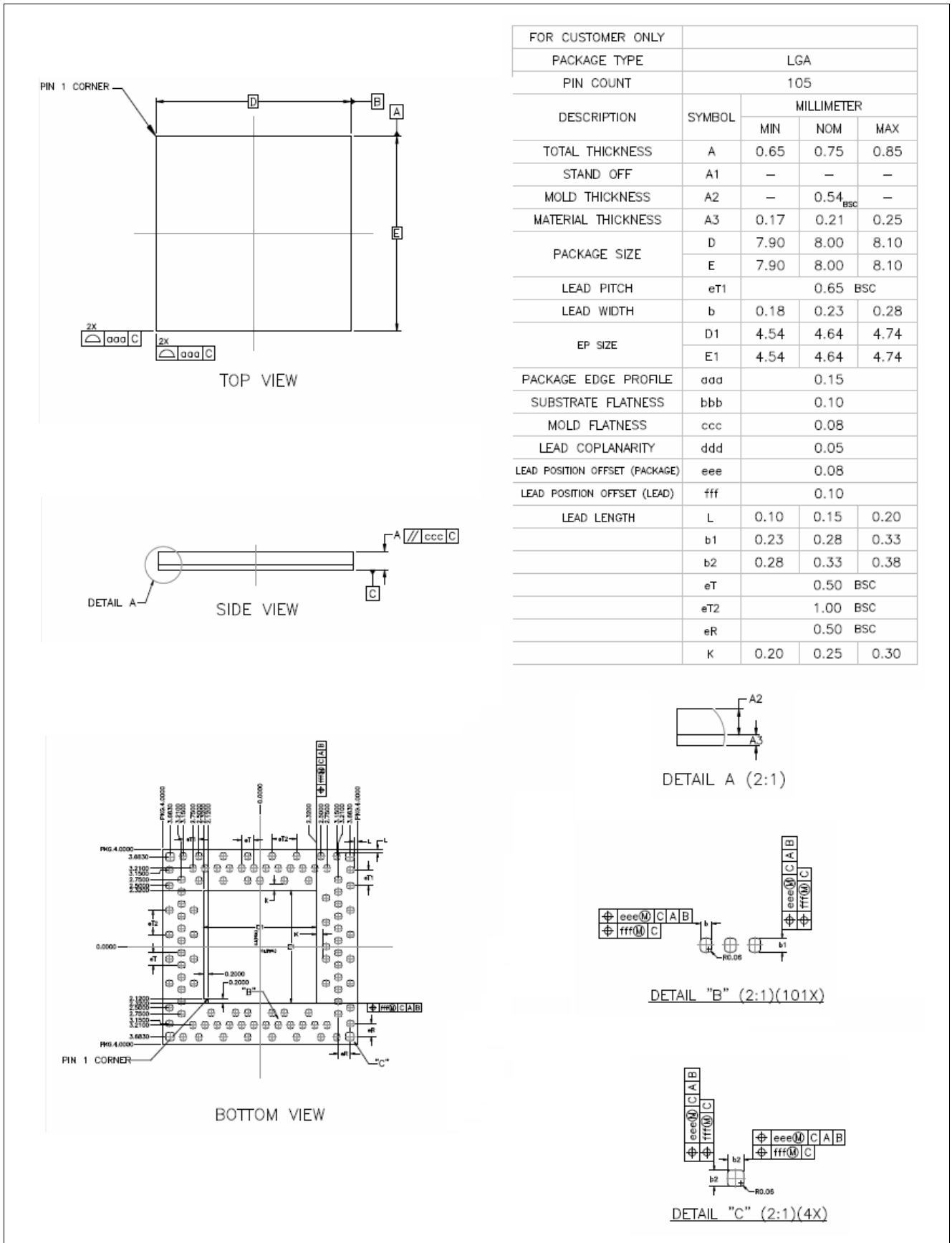


Figure 63 LGA 8 mm x 8 mm Package Dimensions

### 6.3 Ordering Information

**Table 94** describes the product, ordering, and packaging information for GSW140.

**Table 94 Product Naming**

Marketing Part Number	Ordering Part Number (Former Intel Sales Code MMID)	Former Intel SPEC Code	Package
GSW140A3MC	963956	SLMHB	PG-MRQFN-105
GSW140A3LC	910007	SL007	LGA-105

## Literature References

- [1] Ethernet Switch EASY GSW140/GSW145 Reference Board V1.2.x Hardware Design Guide Rev. 2.0
- [2] Ethernet Switch EASY GSW140/GSW145 Reference Board V1.2.x Getting Started Rev. 2.0

***Attention: Refer to the latest revisions of the documents.***

## Standards References

- [3] Common Electrical I/O (CEI) – Electrical and Jitter Interoperability agreements for 6G+ bps and 11G+ bps I/O (IA # OIF-CEI-02.0), 28th February 2005
- [4] RMI Consortium, RMI-Specification, Rev 1.2, 1997