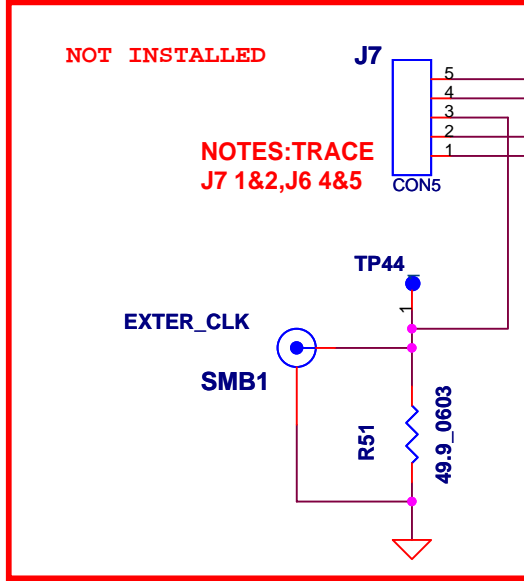


**NOTES:TRACE**  
J40 1&2, J41 2&3

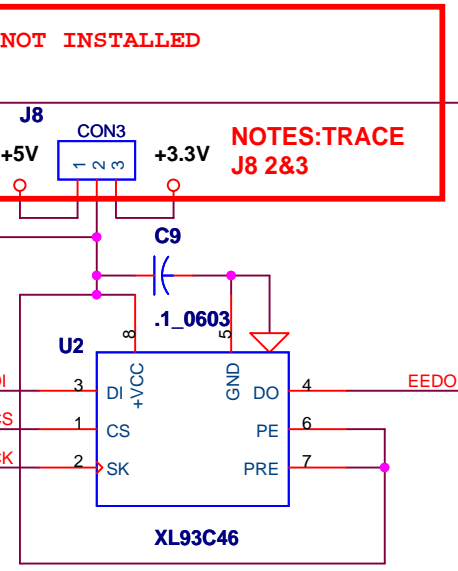
**NOT INSTALLED**  
J8  
+5V  
+3.3V  
**NOTES:TRACE**  
J8 2&3

**NOT INSTALLED**  
TP4 X2



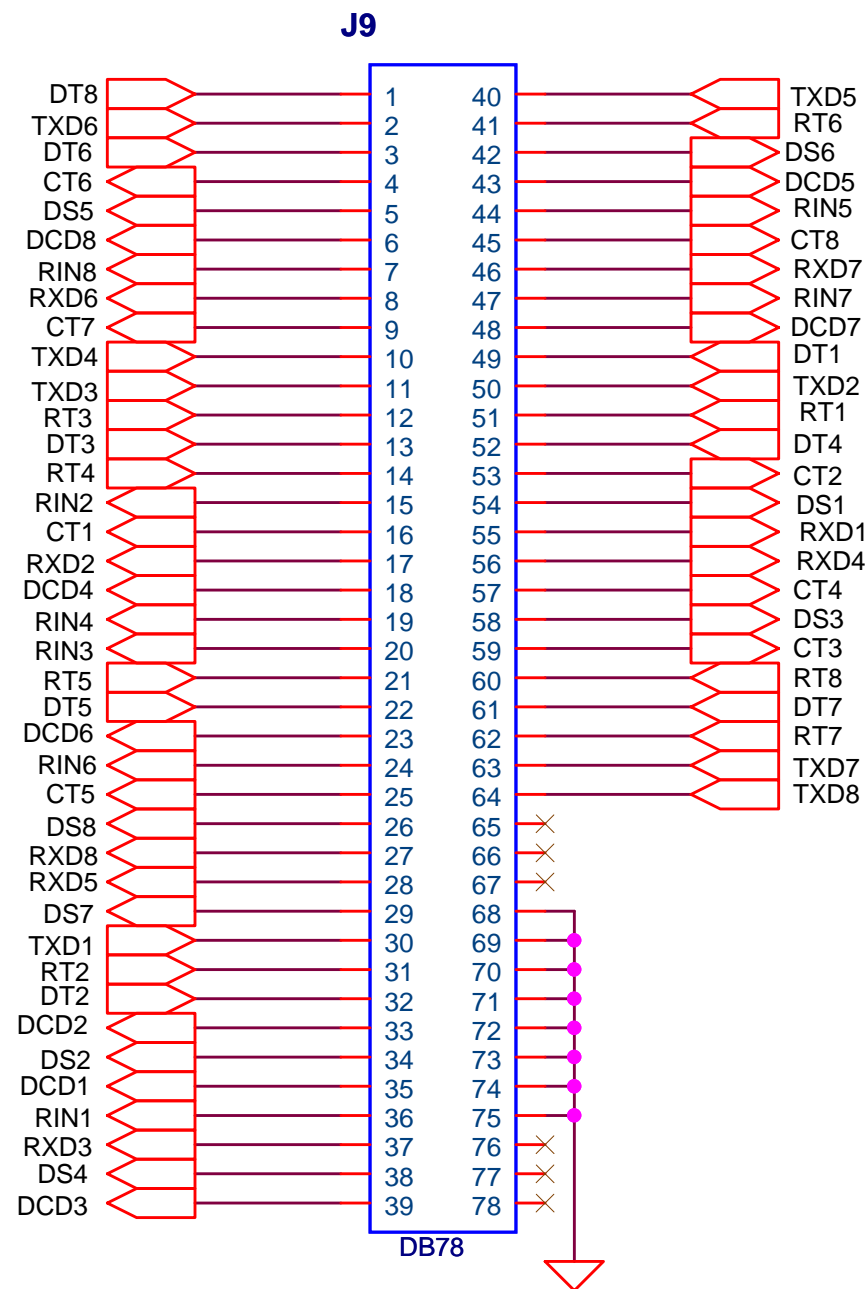
**NOT INSTALLED**

**NOTES:TRACE**  
J7 1&2, J6 4&5



TX6  
RX6  
DTR6  
DSR6  
RTS6  
CTS6  
CD6  
R16  
TX7  
RX7  
DTR7  
DSR7  
RTS7  
CTS7  
CD7  
RI7

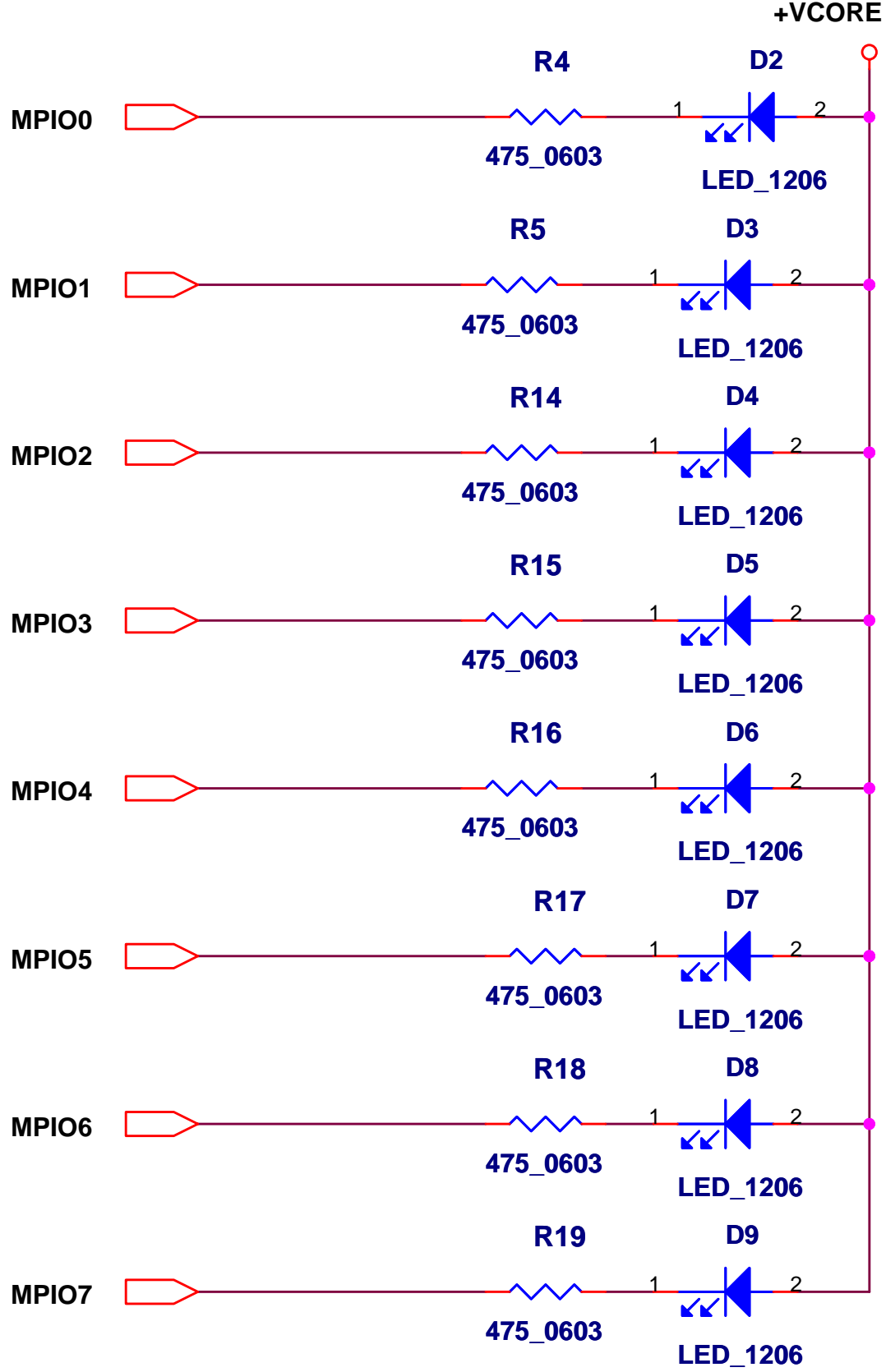
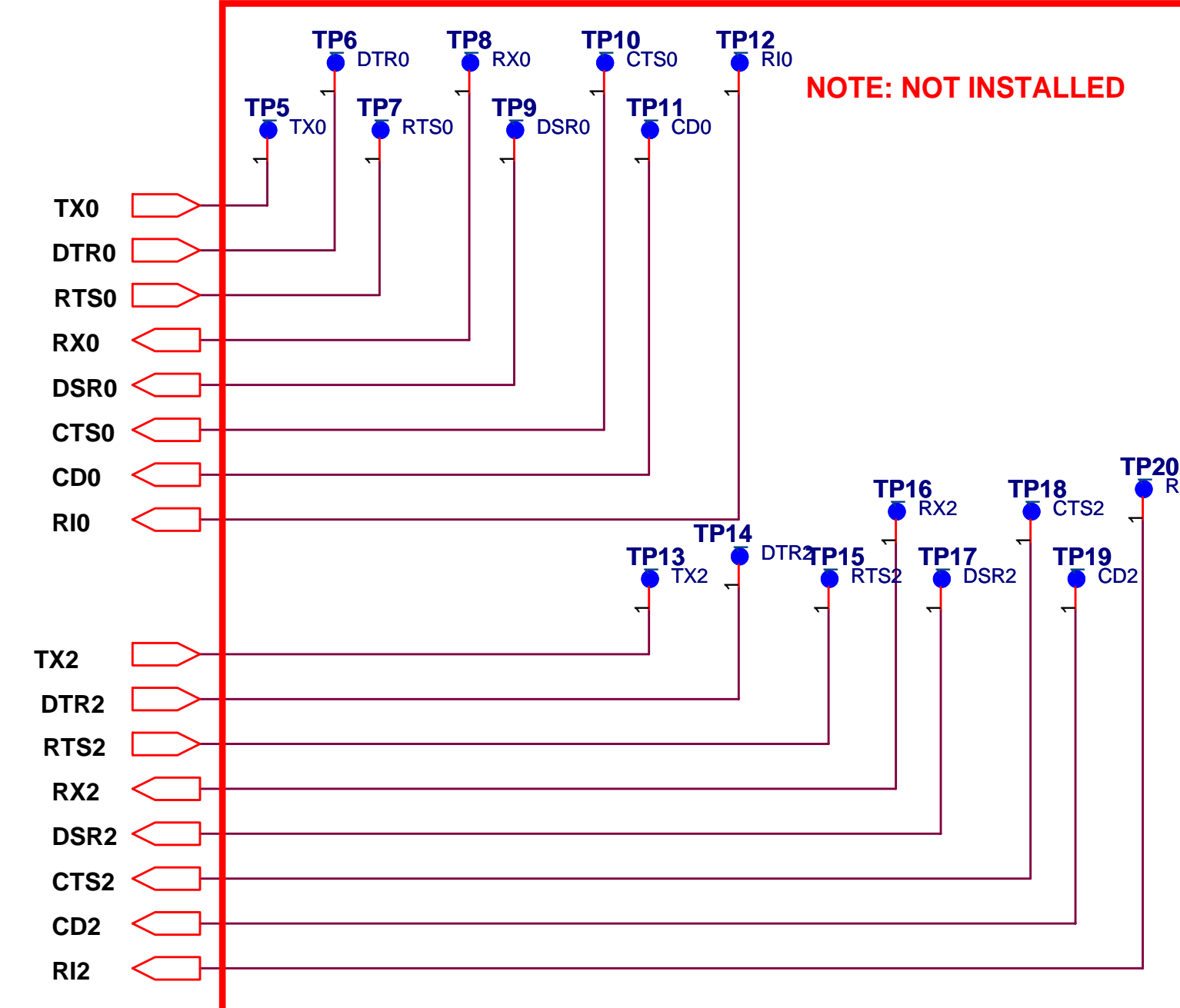
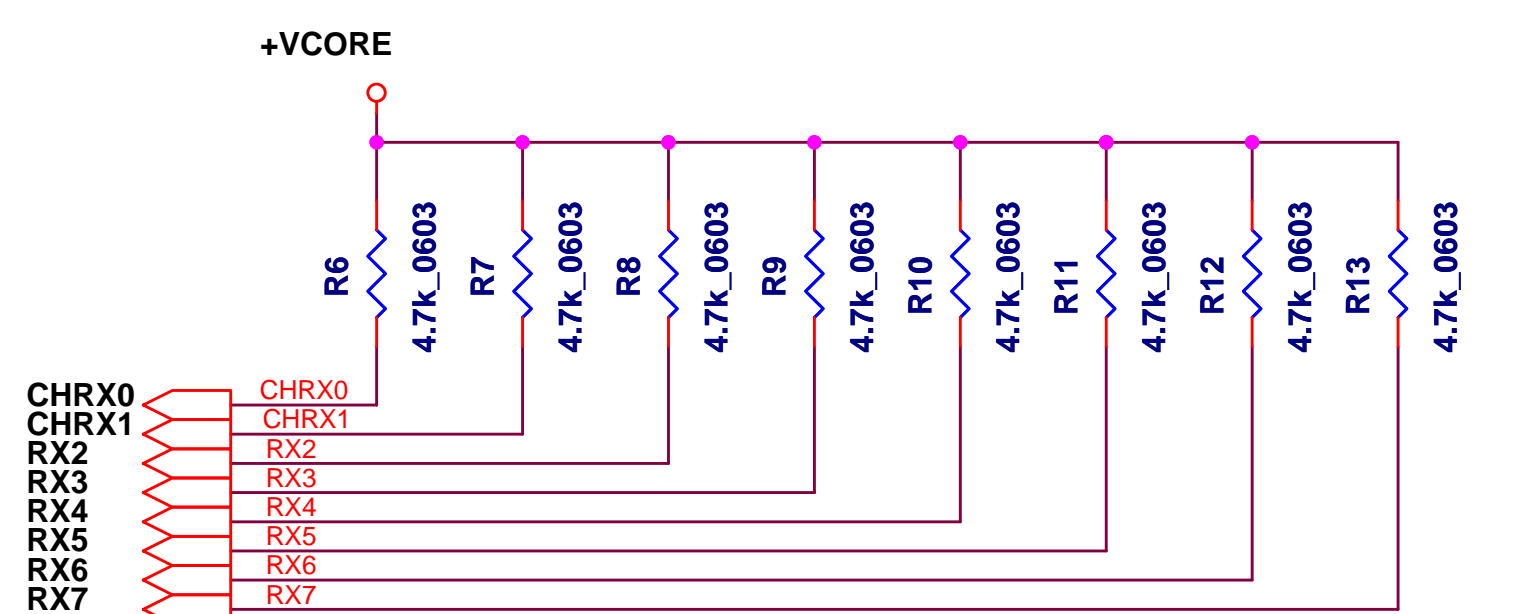
Title		
<b>UART INTERFACE</b>		
Size	Document Number	Rev
Custom	<b>XR17x15x UNIVERSAL BOARD 9.1</b>	
Date: Friday, January 30, 2009		Sheet 1 of 7



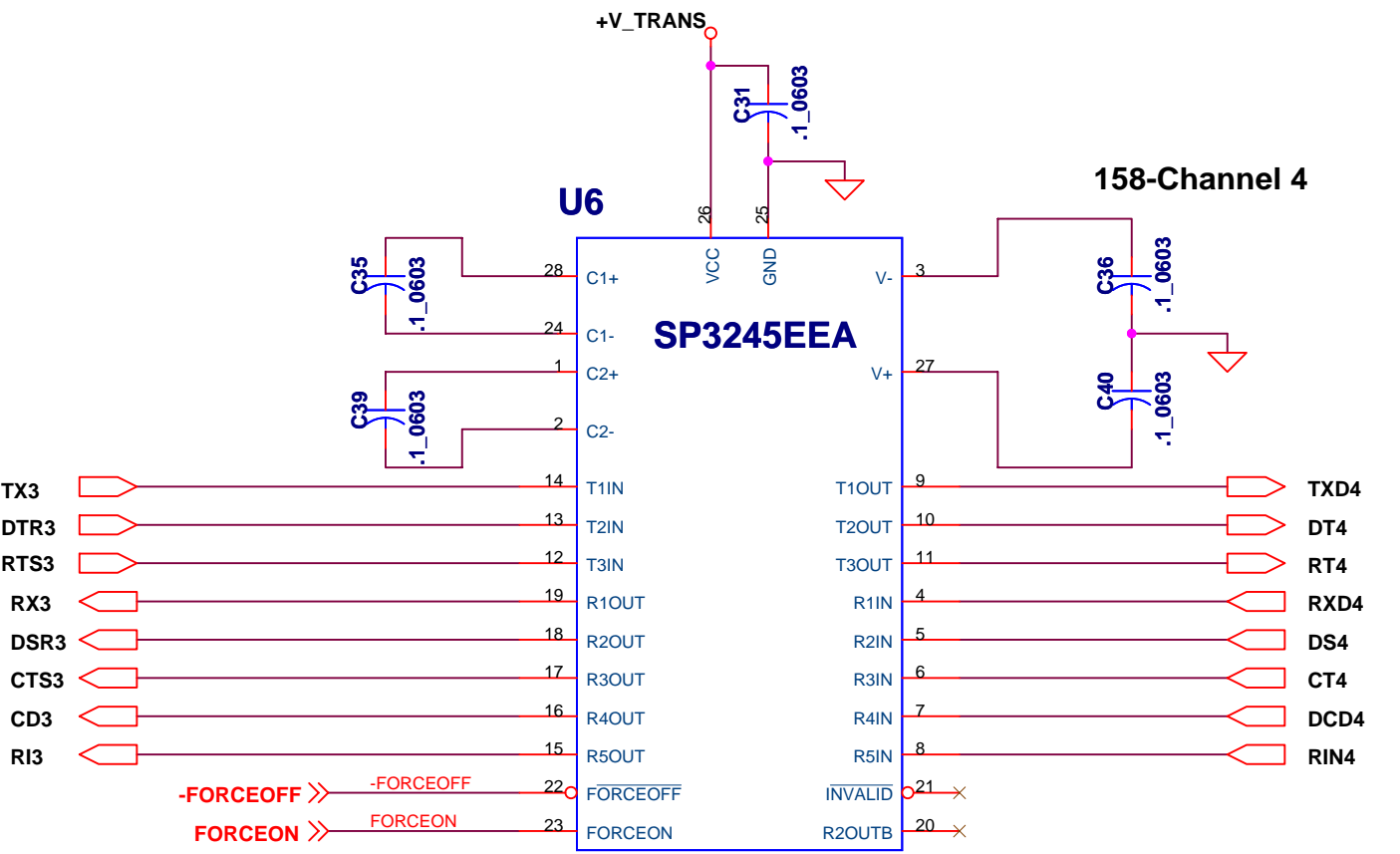
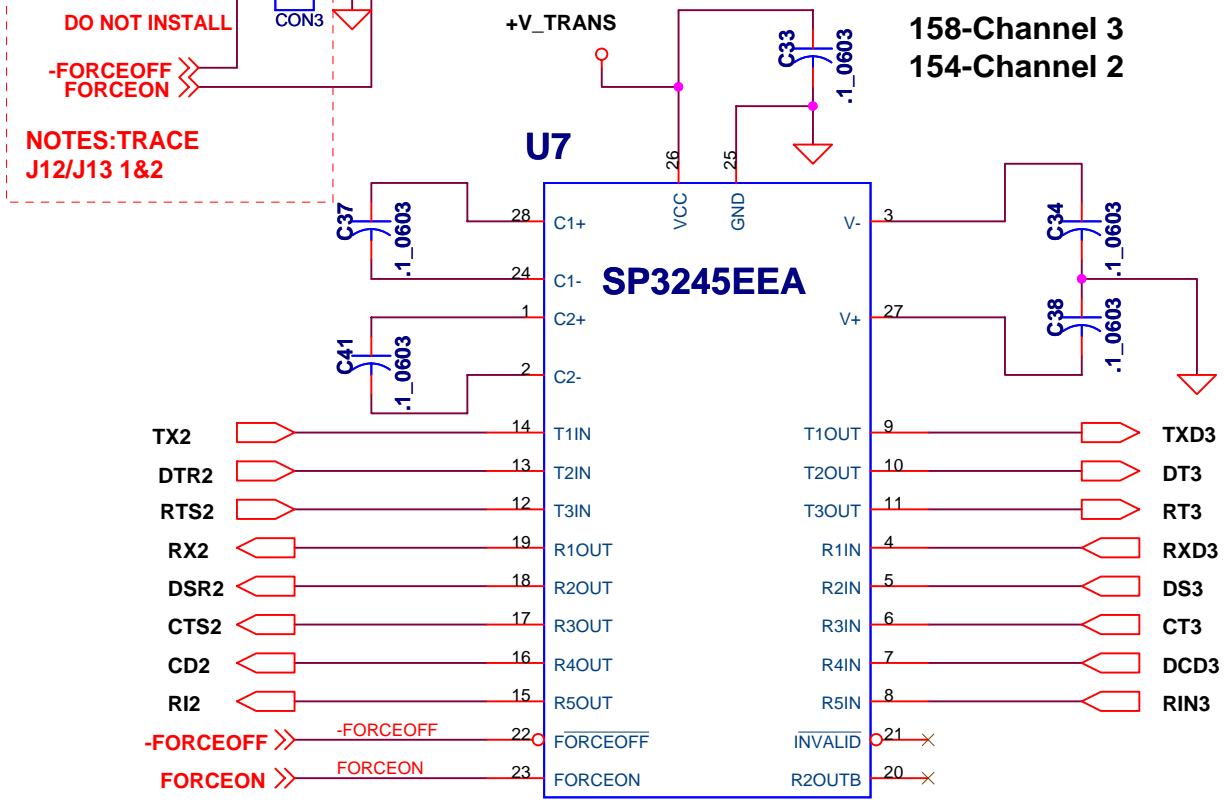
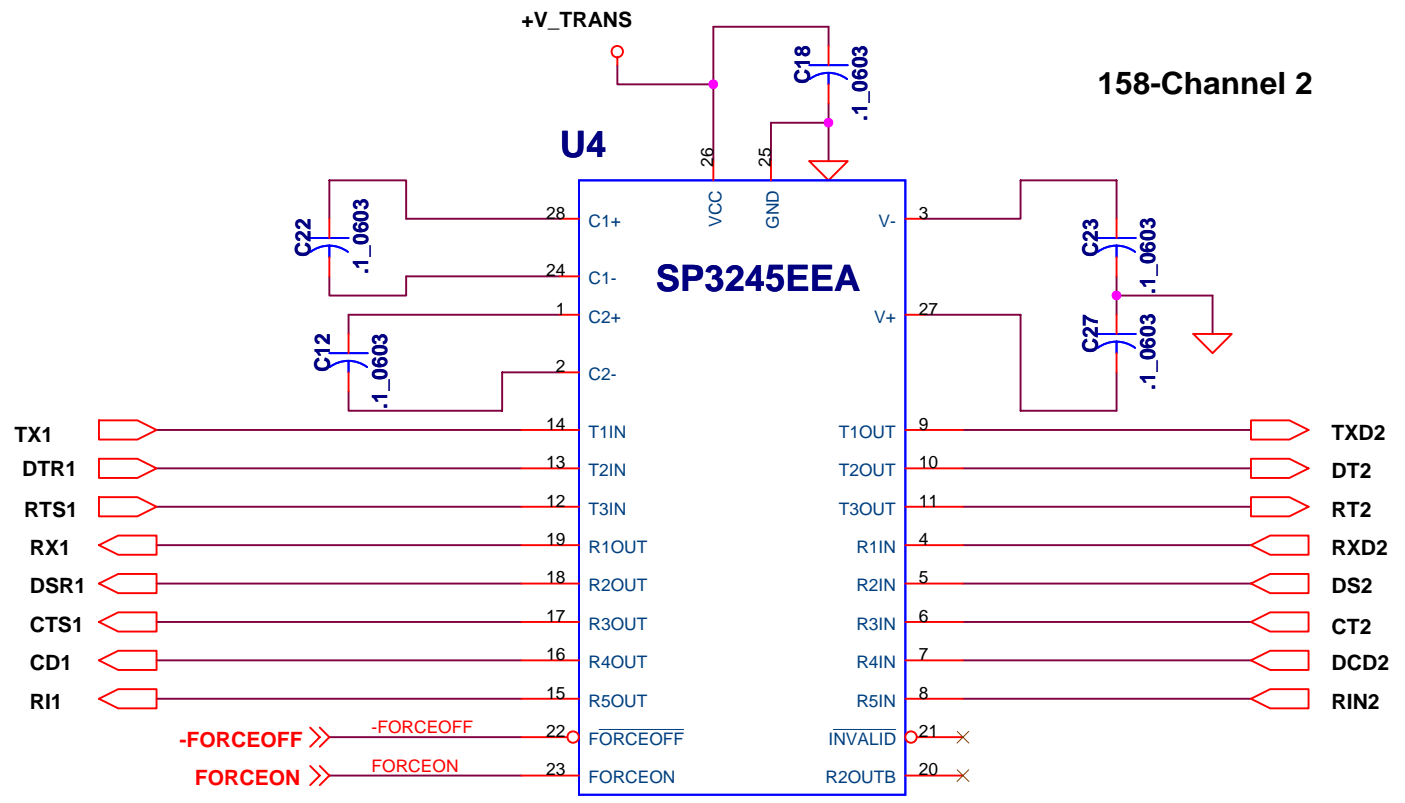
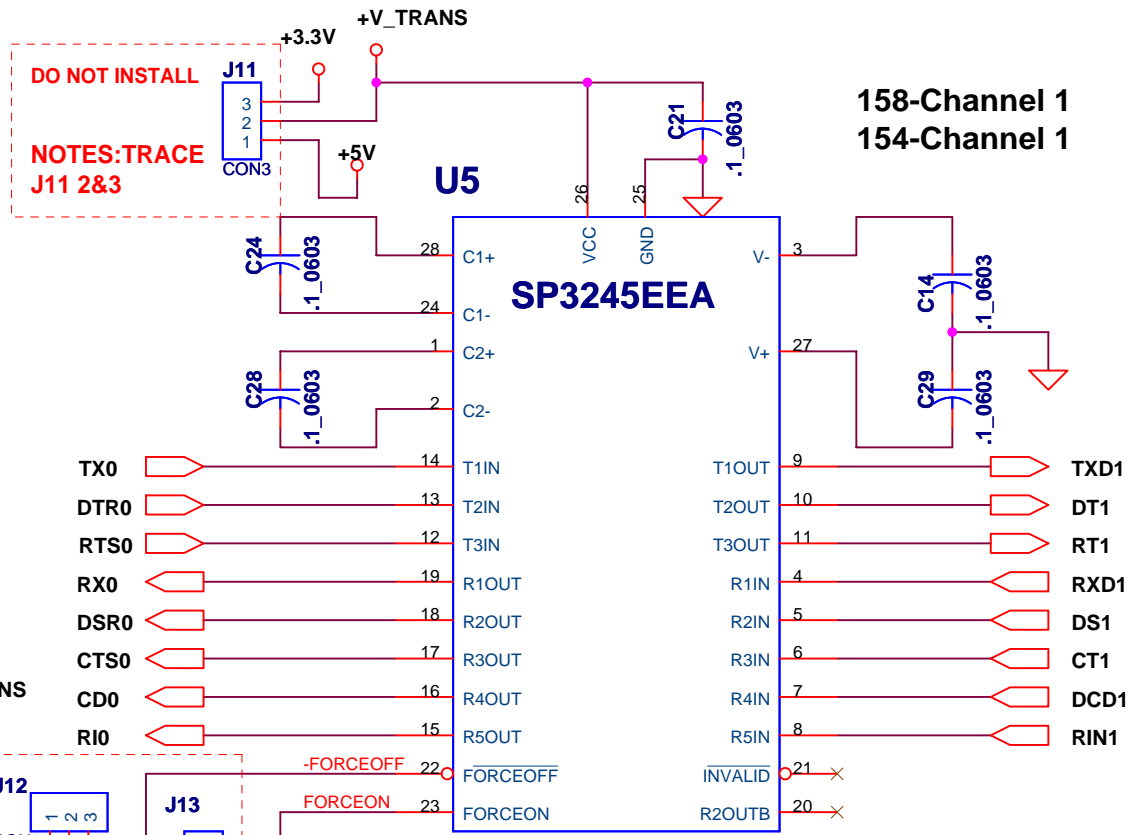
XR17x158	TX/RX SIGNAL USED	XR17x158 DB-25 CABLE
UART 0	TX0/RX0	P1
UART 1	TX1/RX1	P2
UART 2	TX2/RX2	P3
UART 3	TX3/RX3	P4
UART 4	TX4/RX4	P5
UART 5	TX5/RX5	P6
UART 6	TX6/RX6	P7
UART 7	TX7/RX7	P8

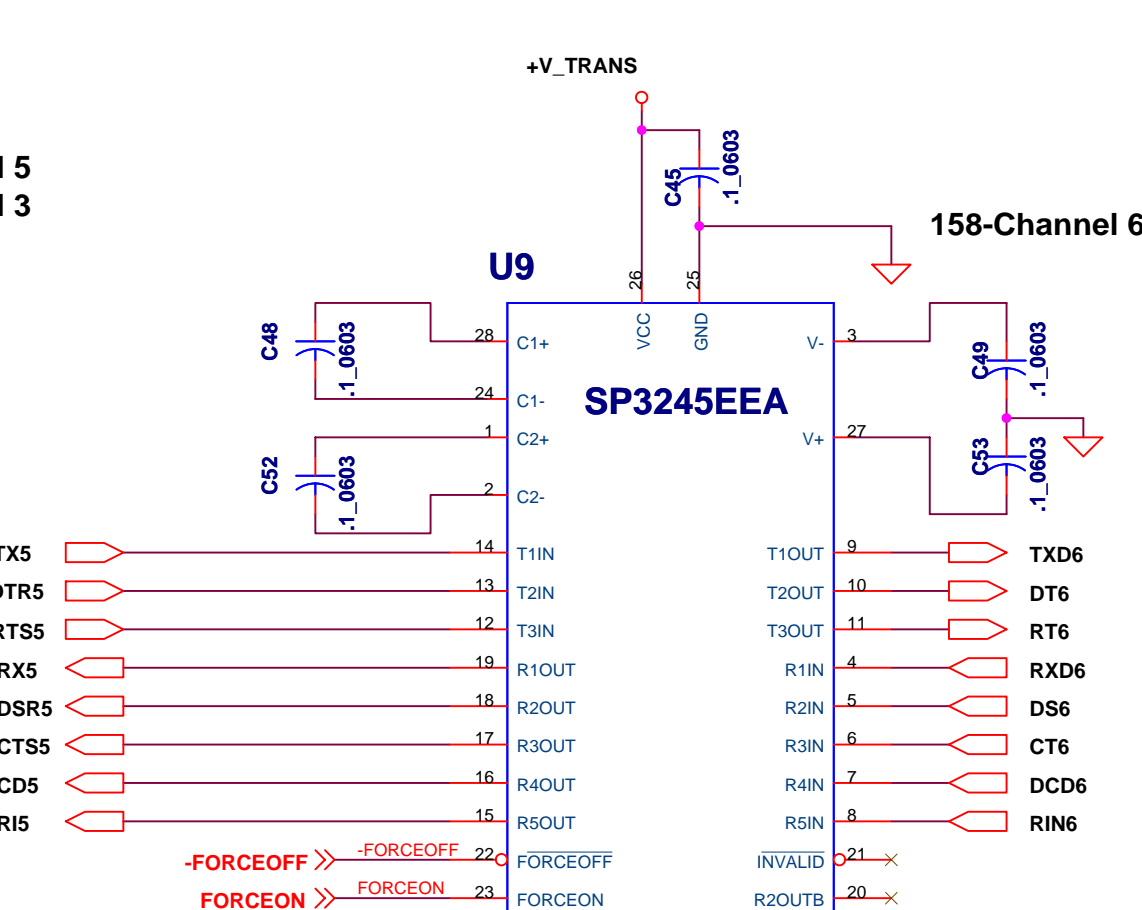
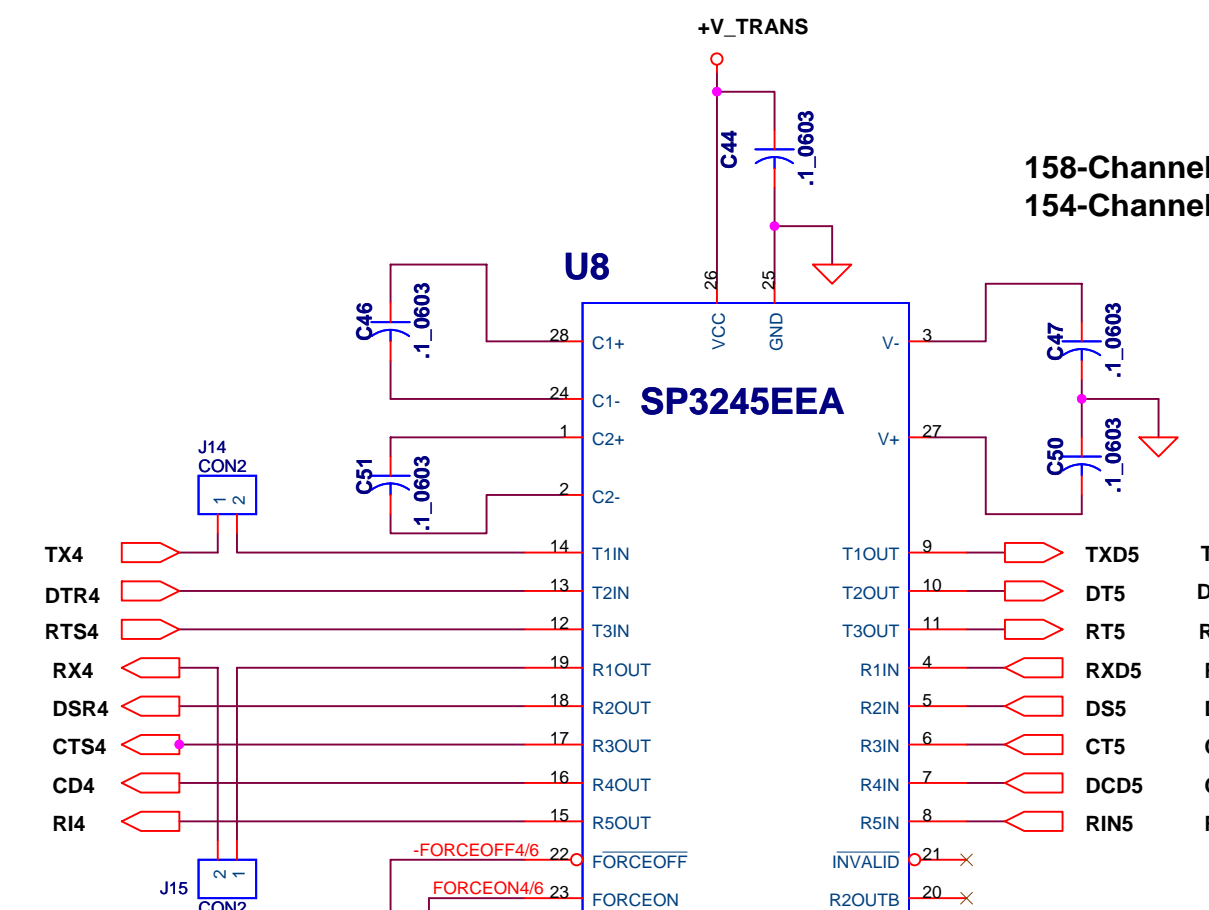
XR17x154	TX/RX SIGNAL USED	XR17x154 DB-25 CABLE
UART 0	TX0/RX0	P1
UART 1	TX2/RX2	P3
UART 2	TX4/RX4	P5
UART 3	TX6/RX6	P7

Title		
<b>INTERFACE</b>		
Size A	Document Number <b>XR17x15x UNIVERSAL BOARD 9.1</b>	Rev
Date: Friday, January 30, 2009	Sheet 2 of 7	



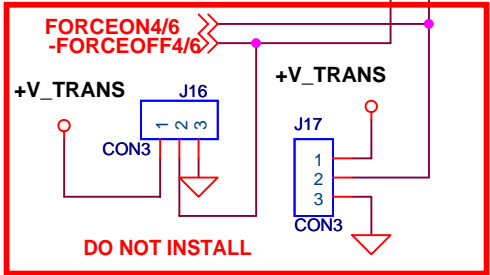
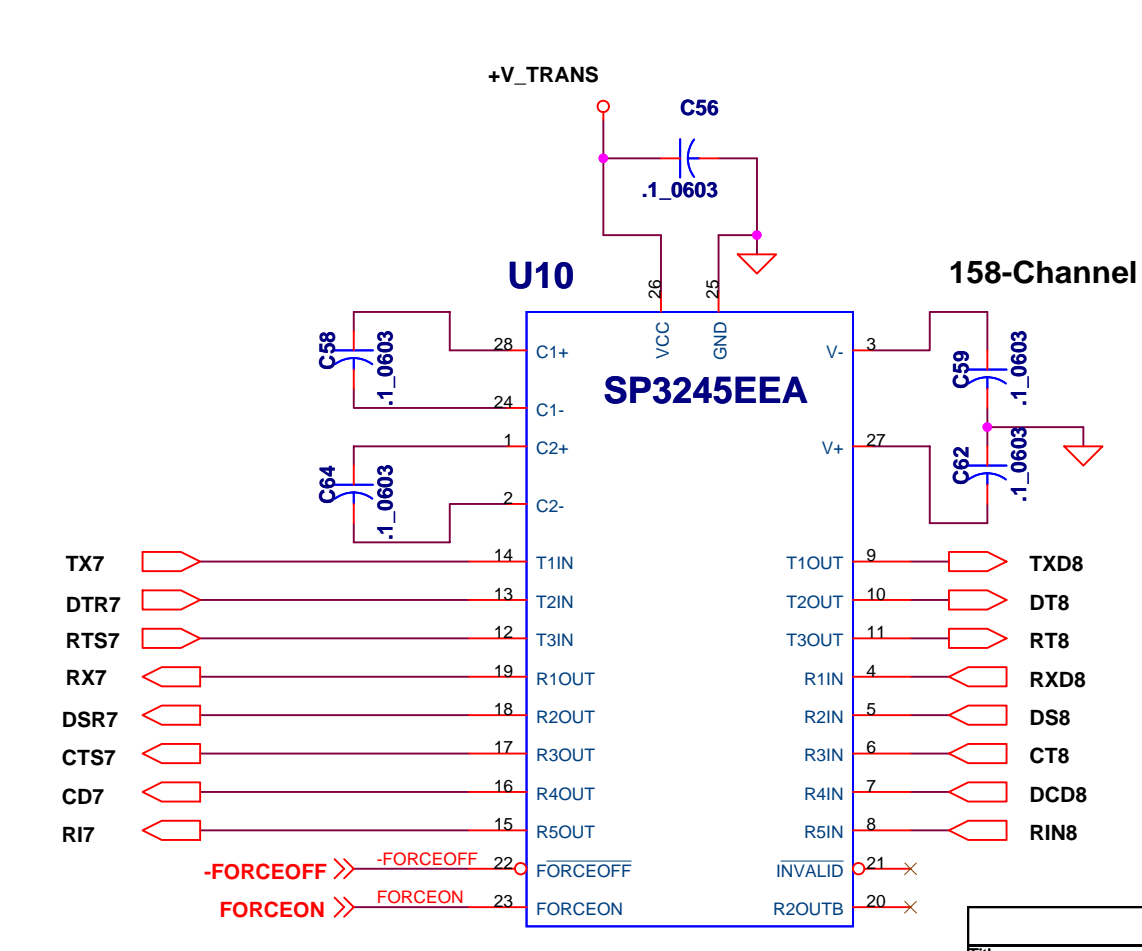
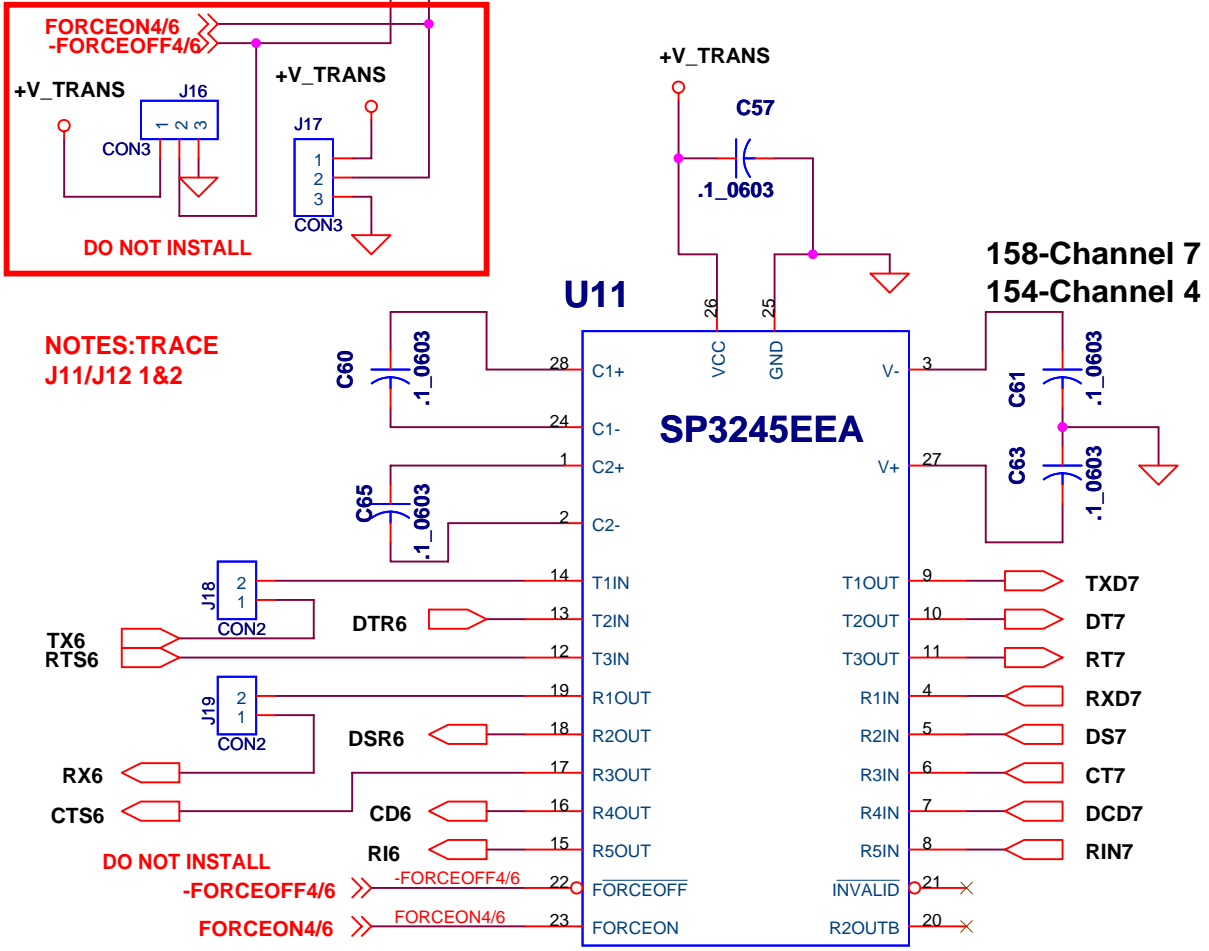
Title		
<b>I/O LED</b>		
Size A	Document Number <b>XR17x158/154 UNIVERSAL BOARD</b>	Rev <b>9.1</b>
Date: Friday, January 30, 2009	Sheet 3	of 7





XR17x158 Channel 1-8  
are RS-232 Channel  
5&7 are  
RS-422/485(OPTIONAL)

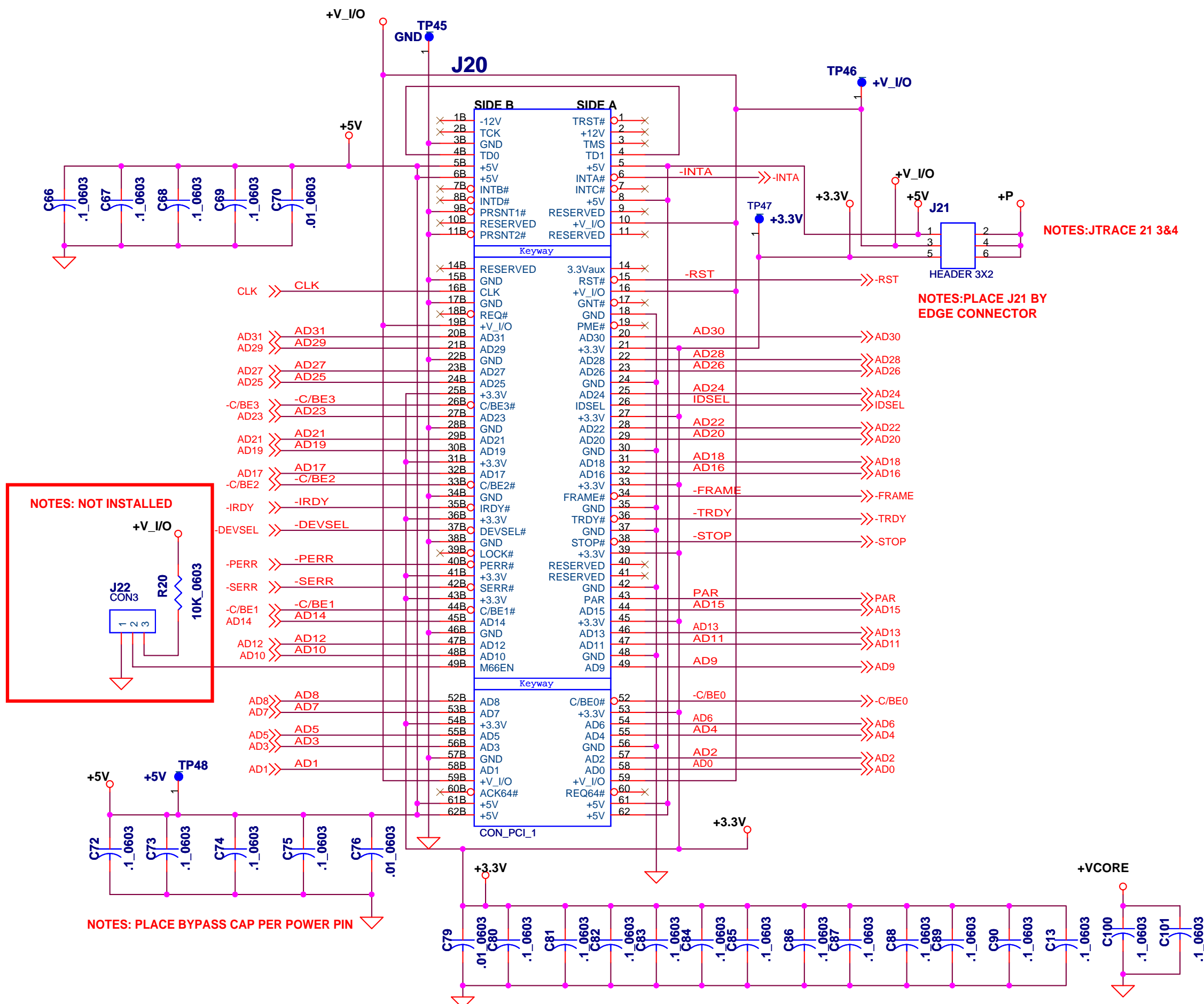
XR17x154 Channel 1-4  
are RS-232.  
Channel  
3&4 is  
RS-422/485  
(OPTIONAL)



NOTES:TRACE  
J11/J12 1&2

DO NOT INSTALL  
-FORCEOFF4/6  
FORCEON4/6

Title		
<b>RS-232 INTERFACE</b>		
Size	Document Number	Rev
	<b>XR17x158/154 UNIVERSAL BOARD 9.1</b>	
Date:	Friday, January 30, 2009	Sheet 5 of 7



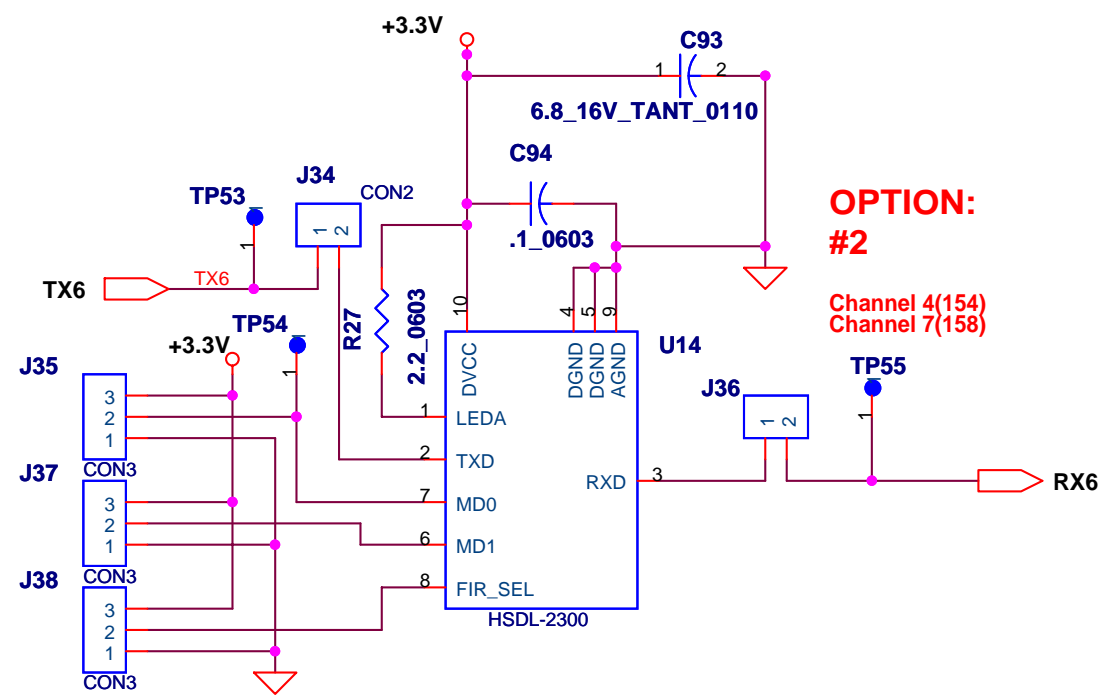
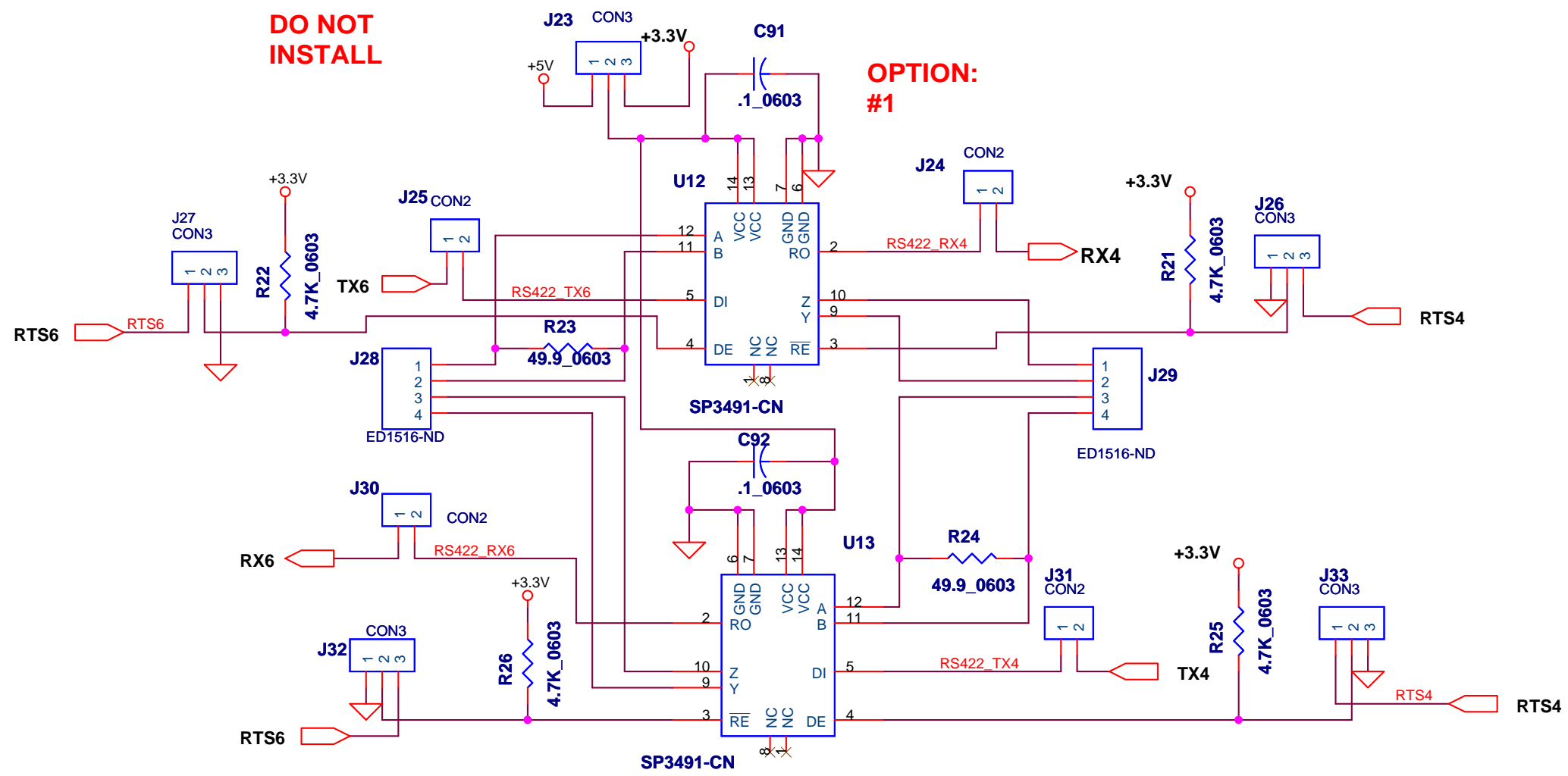
NOTES: JTRACE 21 3&4

NOTES: PLACE J21 BY EDGE CONNECTOR

NOTES: NOT INSTALLED

NOTES: PLACE BYPASS CAP PER POWER PIN

Title		
<b>PCI INTERFACE</b>		
Size B	Document Number	Rev
	<b>17x158/154 UNIVERSAL BOARD</b>	<b>9.1</b>
Date:	Friday, January 30, 2009	Sheet 6 of 7



Title		
<b>XR17x158/154</b>		
Size	Document Number	Rev
B	<b>RS422/485 AND IR INTERFACE</b>	<b>9.1</b>
Date:	Friday, January 30, 2009	Sheet 7 of 7