

22V and 40V, 3A to 20A High Density Power Modules

PRODUCT FAMILY

XR79203	40V, 3A	8 x 8 x 4 (mm)
XR79206	40V, 6A	10 x 10 x 4 (mm)
XR79103	22V, 3A	6 x 6 x 4 (mm)
XR79106	22V, 6A	8 x 8 x 4 (mm)
XR79110	22V, 10A	10 x 10 x 4 (mm)
XR79115	22V, 15A	12 x 12 x 4 (mm)
XR79120	22V, 20A	12 x 14 x 4 (mm)

FEATURES

- Integrated controller, drivers, bootstrap diode / capacitor, MOSFETs, inductors, capacitors
- 22V or 40V maximum input voltage
- 0.6V to 5.5V or 13.2V output voltage range
- High efficiency

BENEFITS

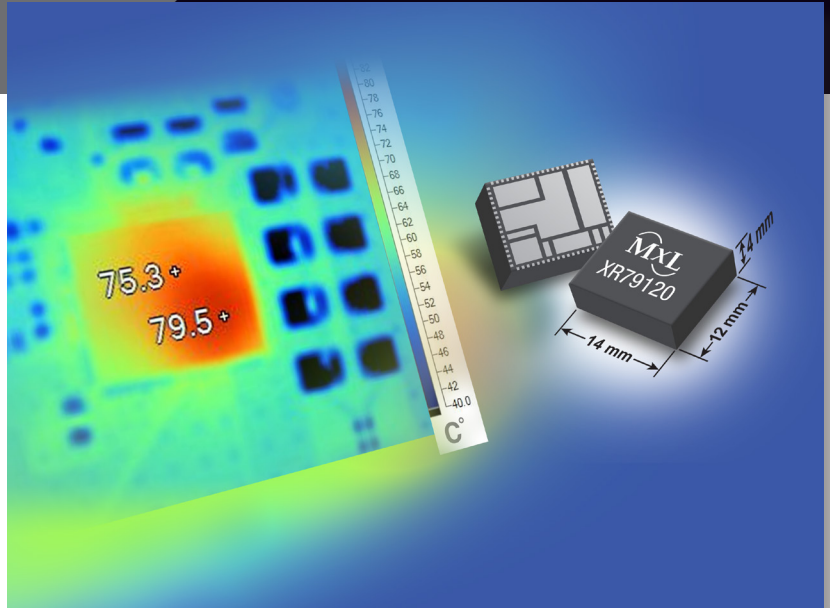
- Complete power stage allows fast time-to-market
- Easy to use
- High density

MAXLINEAR'S DIFFERENTIATION

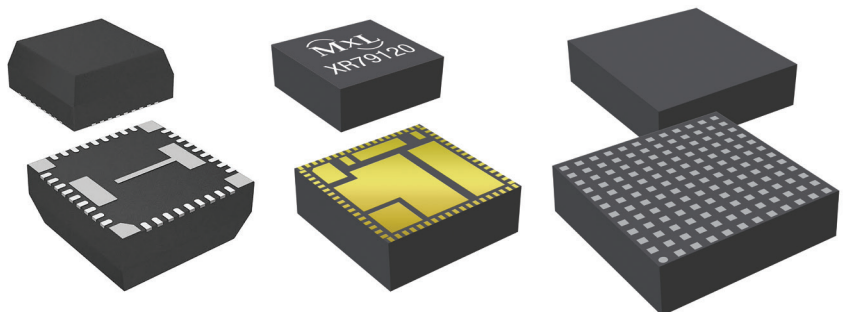
- Industry's smallest 20A power module
- Low profile allows mounting on backside of boards
- Exceptional thermal performance
- Patented COT control
- QFN packaging with all pins accessible allows for easier debugging
- 260° lead solder temperature easier to manufacture

APPLICATIONS

- FPGA, DSP and ASIC power systems
- Industrial and embedded systems
- Telecommunications
- Industrial control and automation
- Infrastructure equipment
- Drones and remote vehicles



This family of power modules addresses high-current single-channel solutions for various end applications. These synchronous step-down power modules are complete system-in-package power management solutions with fully integrated power converters including MOSFETs, inductors and internal input and output capacitors. A patented emulated current mode Constant On-Time (COT) control provides exceptional full range 0.1% line regulation and 1% output accuracy over the full temperature range. This COT control loop enables operation with ceramic output capacitors, eliminating loop compensation components. Available in a QFN package, our modules provide superior thermal performance and manufacturability. The QFN package makes visual inspection of solder joints possible and eases electrical debugging.

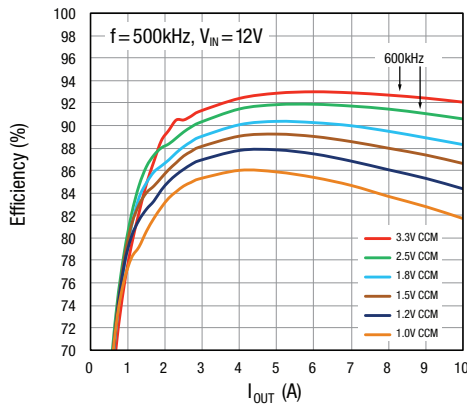
MaxLinear QFN vs. Competition


- Large pads provide better thermal performance
- All pins accessible for easier debugging and routing
- 260°C lead solder temperature vs. 245°C (LGA)

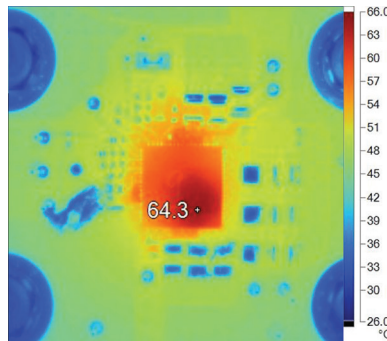
Power Modules

Part Number	I _{OUT} (A)	V _{IN} (V)	V _{OUT} (V)	Frequency (kHz)	Efficiency (%)	QFN Dimension (mm)	Features
XR79203	3	3 to 40	0.6 to 13.2	300 to 500	95	8 x 8 x 4	<ul style="list-style-type: none"> ▪ UVLO ▪ OTP ▪ Soft-start ▪ Adjustable hiccup current limit ▪ Short-circuit protection ▪ PGOOD
XR79206	6	3 to 40	0.6 to 13.2	300 to 500	95	10 x 10 x 4	
XR79103	3	3 to 22	0.6 to 5.5	600 to 800	95	6 x 6 x 4	
XR79106	6	3 to 22	0.6 to 5.5	600 to 800	95	8 x 8 x 4	
XR79110	10	3 to 22	0.6 to 5.5	400 to 600	95	10 x 10 x 4	
XR79115	15	3 to 22	0.6 to 5.5	400 to 600	95	12 x 12 x 4	
XR79120	20	3 to 22	0.6 to 5.5	400 to 600	95	12 x 14 x 4	

Efficiency and Thermal Performance



XR79110 Efficiency



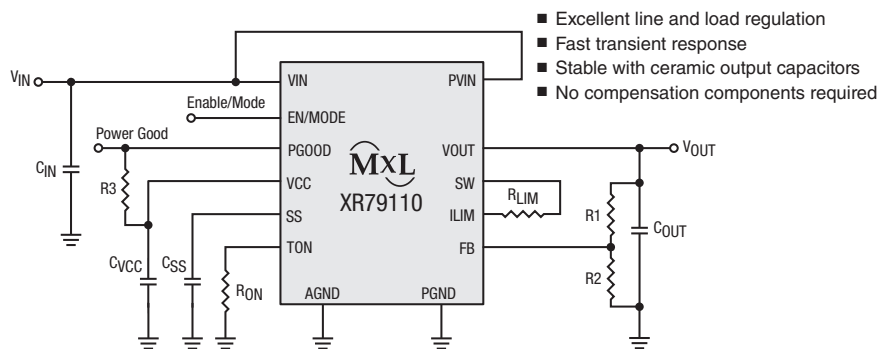
XR79110 Thermal Image



XR79110 Evaluation Board

Thermal performance based on real-world conditions
(XR79110EVB – compact 2.5" x 2.5" 6 layer board)

Typical Schematic



Corporate Headquarters:
5966 La Place Court
Suite 100
Carlsbad, CA 92008
Tel.: +1 (760) 692-0711
Fax: +1 (760) 444-8598
www.maxlinear.com

The content of this document is furnished for informational use only, is subject to change without notice, and should not be construed as a commitment by MaxLinear, Inc.. MaxLinear, Inc. assumes no responsibility or liability for any errors or inaccuracies that may appear in the informational content contained in this guide. Complying with all applicable copyright laws is the responsibility of the user. Without limiting the rights under copyright, no part of this document may be reproduced into, stored in, or introduced into a retrieval system, or transmitted in any form or by any means (electronic, mechanical, photocopying, recording, or otherwise), or for any purpose, without the express written permission of MaxLinear, Inc.

MaxLinear, Inc. does not recommend the use of any of its products in life support applications where the failure or malfunction of the product can reasonably be expected to cause failure of the life support system or to significantly affect its safety or effectiveness. Products are not authorized for use in such applications unless MaxLinear, Inc. receives, in writing, assurances to its satisfaction that: (a) the risk of injury or damage has been minimized; (b) the user assumes all such risks; (c) potential liability of MaxLinear, Inc. is adequately protected under the circumstances.

MaxLinear, Inc. may have patents, patent applications, trademarks, copyrights, or other intellectual property rights covering subject matter in this document. Except as expressly provided in any written license agreement from MaxLinear, Inc., the furnishing of this document does not give you any license to these patents, trademarks, copyrights, or other intellectual property.

Company and product names may be registered trademarks or trademarks of the respective owners with which they are associated.

© 2019 MaxLinear, Inc. All rights reserved