



July 1998-2

XRT5894ES

**Demo Board
User Manual**

Overview

This unit is a 4.5 by 4.5 inch circuit board that simplifies the evaluation of the XRT5894 four channel, 3.3/5.0V, E1, line interface unit integrated circuit. Its features include use of a 4-layer circuit board with surface mount technology to minimize noise, provisions for an equipment-side loopback that simplifies testing, and options for operation either with or without an external LOS (Loss of Signal) output delay clock. Figures 1, 2 and 3 and Table 2 show the demo board transmit pulse waveform, component layout, circuit diagram, and parts list respectively.

Power Requirements

A well-regulated source of +3.3 or +5.0V \pm 5%V must be applied to the board at the red (positive) and black (negative) banana jacks.

Equipment-side Digital Input and Output Connections

The component layout given in Figure 2 shows the location of the equipment-side digital receiver input and transmitter output connections for each of the four independent transmitters and receivers. For versatility, the I/O connections on each channel may be made to either a set of 6 test points, or to a 10-pin header that will accept a ribbon cable connector. The tests points are convenient for lab evaluations and signal monitoring, while the ribbon cable connections offer a method of integrating the XRT5894 board into a larger system.

Table 1 shows the I/O connections for Channel 1. It also applies to the other channels if the digit indicating the Signal and Test Point name is changed to the appropriate channel (e.g. "1" in RXPOS1, etc.). Note the pin 1 locations for the ribbon cable connectors that are shown on the component layout. Pin 1 is at top left for Channels 1 and 4, and at bottom right for Channels 2 and 3. The schematic diagram given in Figure 3 may be used to verify these connections.

Signal Name	Ribbon Cable Connector Pin	Test Point Name
Receiver 1 loss of signal output	1	LOS1
Receiver 1 positive data output	2	RXPOS1
Ground	3	-
Receiver 1 negative data output	4	RXNEG1
Ground	5	-
Transmitter 1 positive data input	6	TXPOS1
Ground	7	-
Transmitter 1 negative data input	8	TXNEG1
Ground	9	-
Transmitter 1 clock input	10	TXCLK1

Table 1: Equipment-side Signal Connections

Note: *Installing the two jumpers next to a ribbon cable connector implements an equipment-side loopback on that channel.*

Transmitter Line Output and Receiver Line Input Connections

Three-circuit one quarter inch audio-type jacks are used for the transmitter line-side output and receiver line-side input of each channel. These jacks accept the patch cord plugs that are commonly used for interconnecting 120 Ohm balanced lines that are used with E1 test equipment.

Loopback Provisions

A signal source capable of transmitting and receiving dual-rail data having TTL or 3.3 V CMOS compatible levels is necessary in order to test the XRT5894 receivers and transmitters individually. Commercially-available E1 test sets normally do not operate with these signals. However, an equipment-side loopback permits operation of the demo board with readily available test equipment. This loopback may be implemented on any channel by installing the two jumper shunts located next to the 10-pin ribbon cable connector for that channel. If these shunts are installed on Channel 1, the receiver outputs RXPOS1 and RXNEG1 are connected to the transmitter inputs TXPOS1 and TXNEG1 respectively. Now, Channel 1 may be tested by connecting the output of an E1 pattern generator to the Channel 1 receiver input, RX1, and the 120 Ohm input of an error detector to the Channel 1 transmitter output, TX1.

LOS Circuit Operation

The XRT5894 has a built-in LOS (Loss of Signal) delay that meets the ITU G.775 requirements. Additionally, an external clock may be used to extend this built-in delay. If the pins on the 2-pin header labeled LOS SELECT are open, and nothing is connected to the BNC connector labeled LOS CLOCK, the built-in LOS delay is used. To extend this delay, install the LOS SELECT jumper and apply an external clock to the LOS CLOCK input. Now, the ITU G.775 delay is extended by the period of the externally-supplied LOS CLOCK multiplied by 2048.

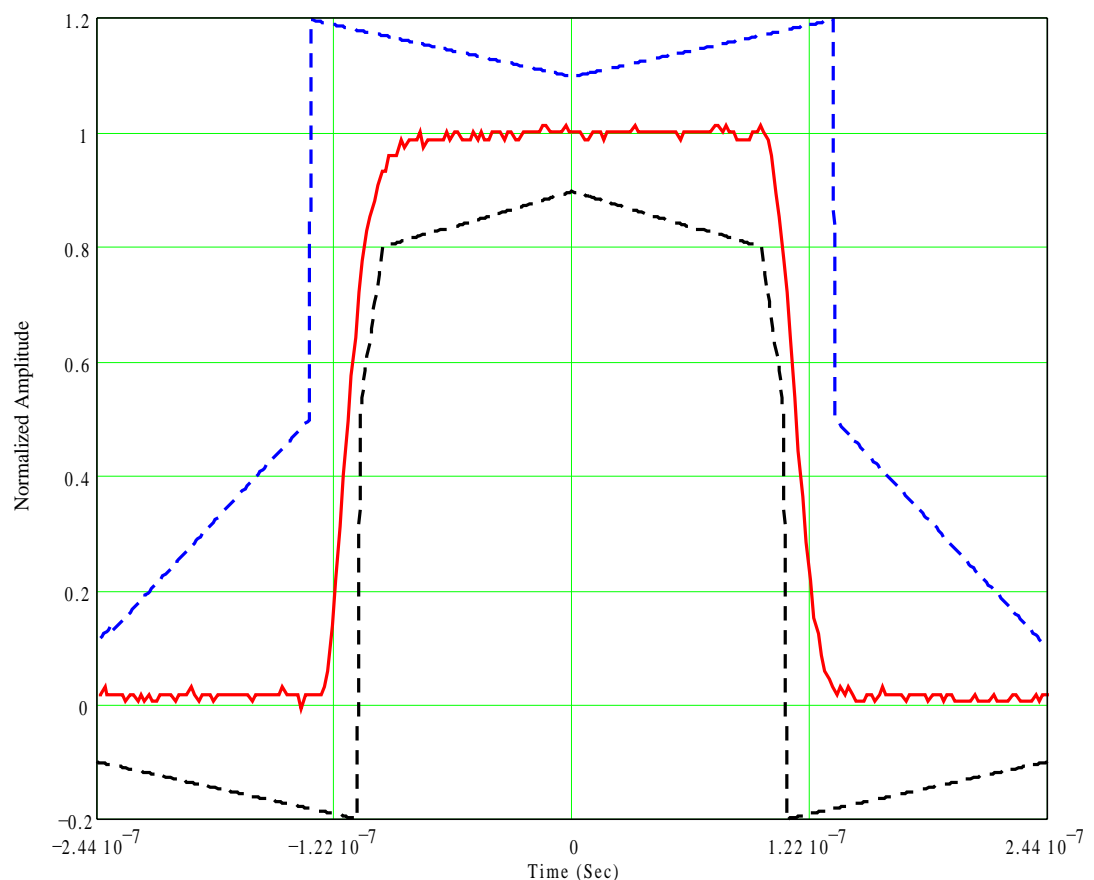


Figure 1: XRT5894 Transmit Pulse Waveform

Test conditions:

- Pulse Template is from ITU G.703 Figure 15/G.703
- Receiver output looped back into transmitter digital input
- Transmitter output terminated with 120 Ohms
- Operation without Transmitter clock (RZ Data)
- Normalized amplitude of 1.0 corresponds to 3.0 Volt peak pulse amplitude

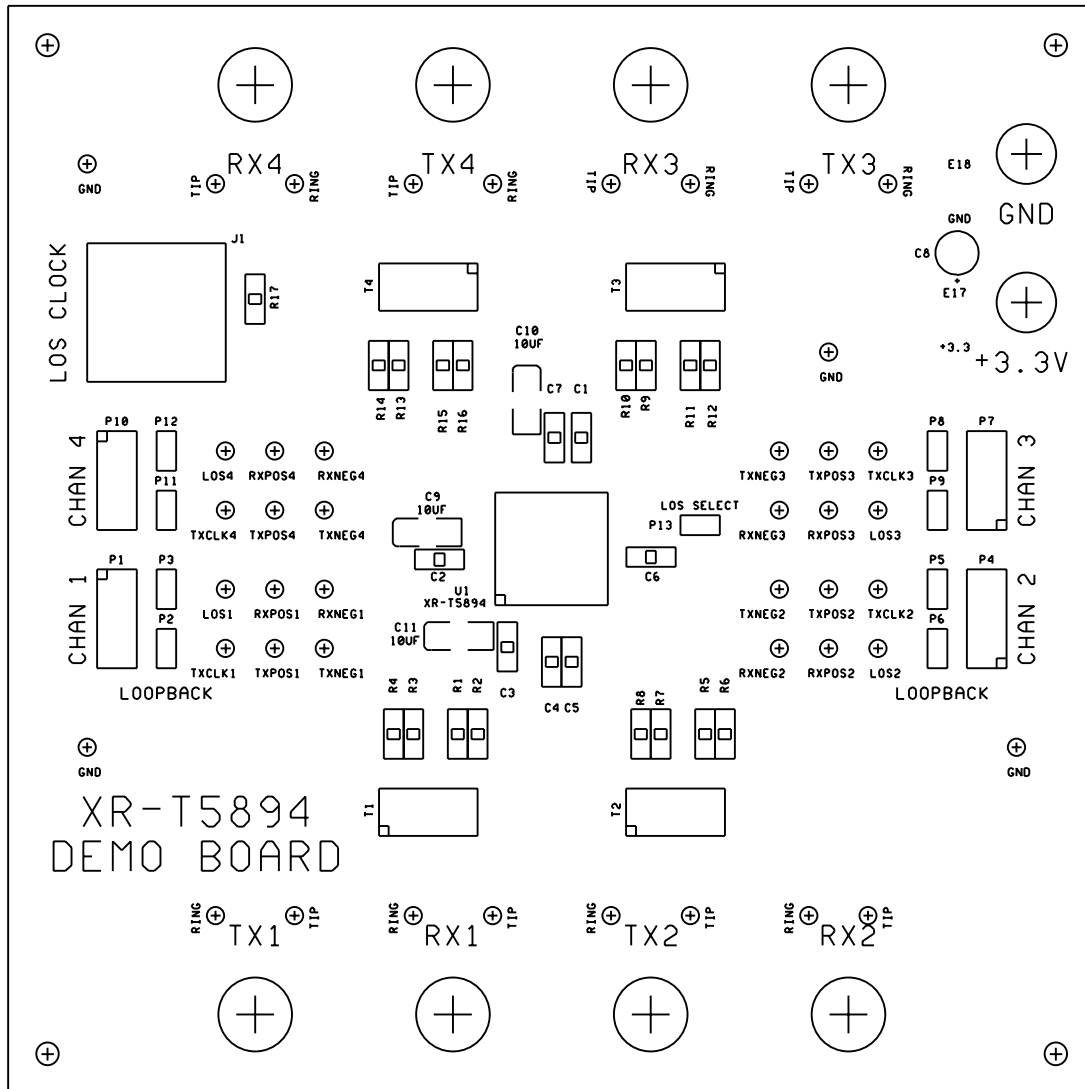


Figure 2: XRT5894 Demo Board Component Layout

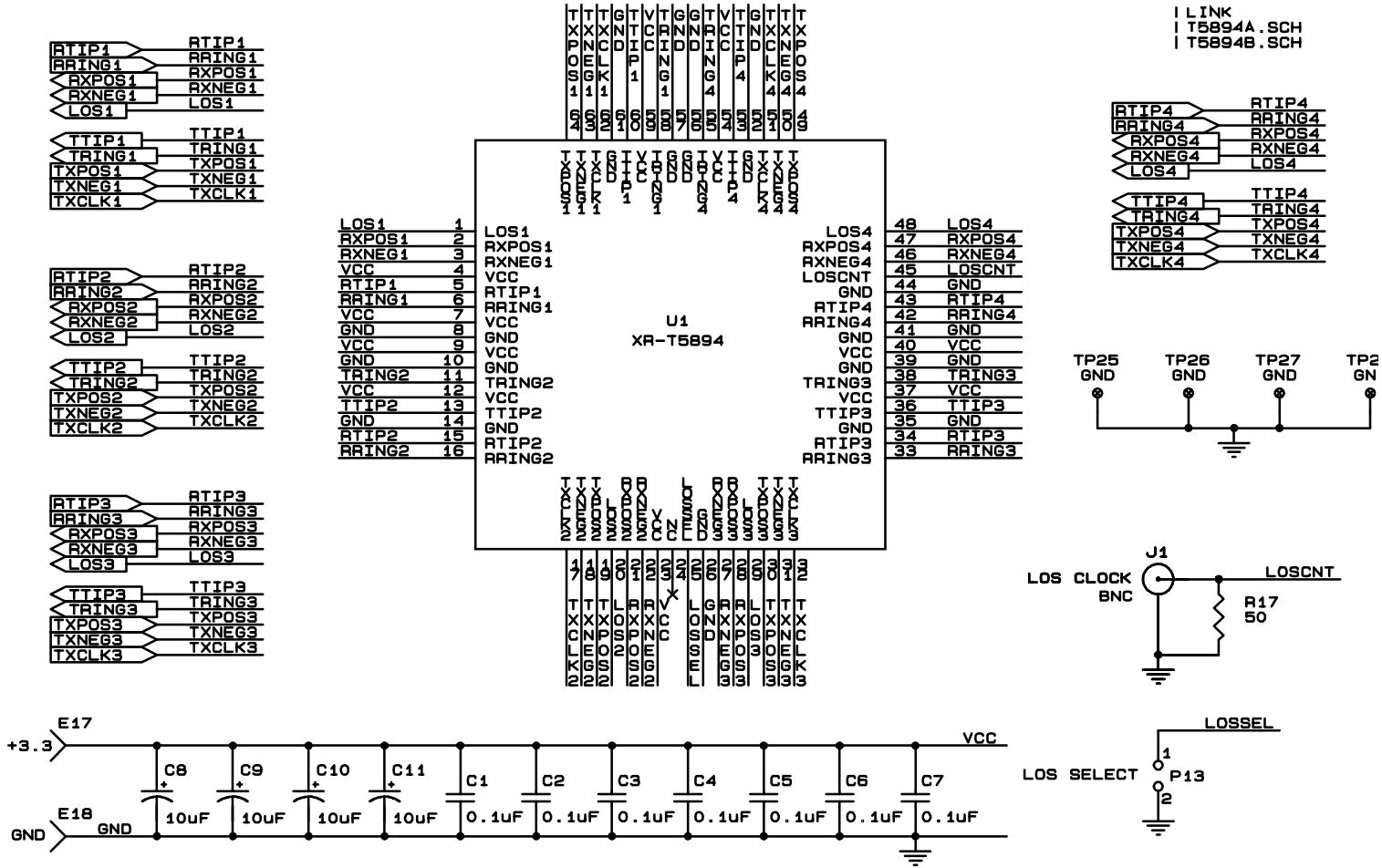
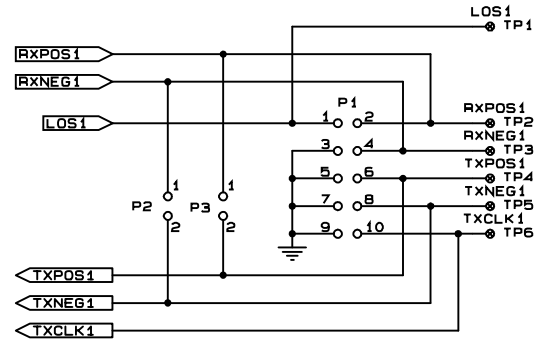
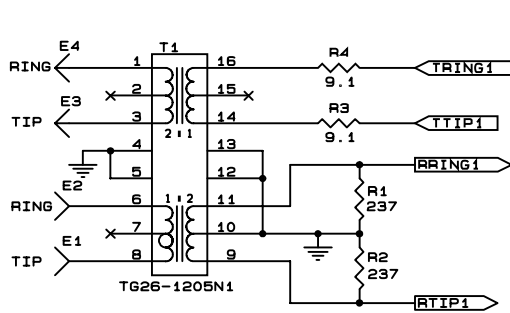


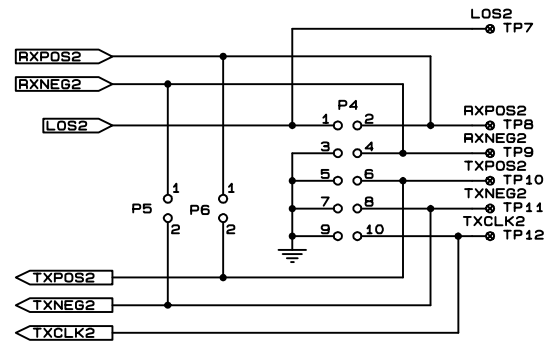
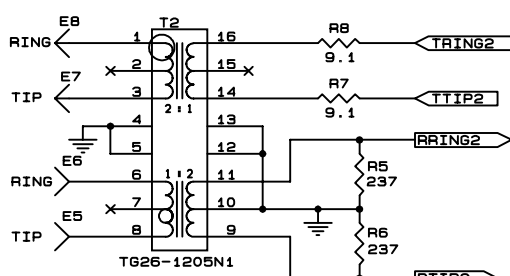
Figure 3a: XRT5894 Demo Board Circuit Diagram

XRT5894ES



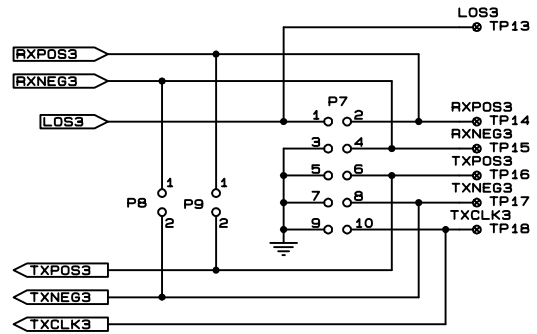
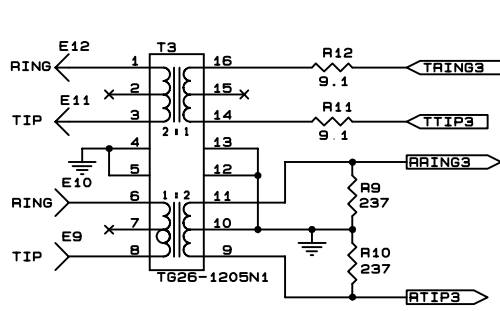


CHANNEL 1

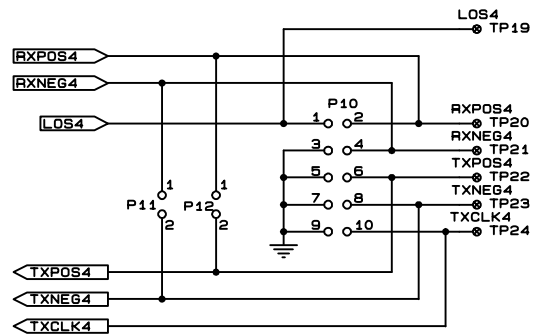
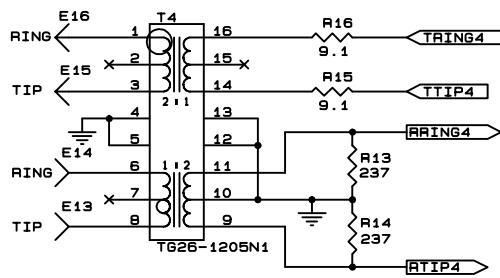


CHANNEL 2

Figure 3b: XRT5894 Demo Board Circuit Diagram



CHANNEL 3



CHANNEL 4

Figure 3c: XRT5894 Demo Board Circuit Diagram

Qty	Reference	Description	Supplier
14	T1,2,3,4	Dual Transformer, 1CT:2CT Ratio, SMT	Halo Corporation TG26-1205N1
8	R1,2,5,6,9,10,13,14	237 W, 1/8 W, 1% Metal Film Resistor, SMT, 1206 size	
8	R3,4,7,8,11,12,15,16	10 W, 1/4 W, 1% Metal Film Resistor, SMT, 1206 size	
1	R17	51.1 W, 1/8 W, 1% Metal Film Resistor, SMT, 1206 size	
7	C1,2,3,4,5,6,7	0.1 mF, 63 V, X7R Dielectric, SMT, 1206 size	
1	C8	10 mF, 10 V, Electrolytic, Axial lead,5mm Dia., 2mm Spacing	
3	C9,10,11	10 mF, 16 V, Tantalum, SMT, NEC_C size	
1	J1	PC board mount BNC Connector	
8	(Connectors for Balanced Line)	3-Conductor 1/4" Audio Jack, for 3/8" hole	Switchcraft
9	P2,3,5,6,8,9,11,12,13	2-pin header, gold	
9		Shorting jumper for 2-pin header	
4	P1,4,7,10	10 pin dual-row header, gold	
28		Pins for Test Point connections	
2		Banana Jacks (1 Black and 1 Red)	GND, +3.3V
4		Spacers to elevate board	
4		4-40 x 5/16" screws for spacers	

Table 2: XRT5894 Demo Board Parts List

Notes

Notes

NOTICE

EXAR Corporation reserves the right to make changes to the products contained in this publication in order to improve design, performance or reliability. EXAR Corporation assumes no responsibility for the use of any circuits described herein, conveys no license under any patent or other right, and makes no representation that the circuits are free of patent infringement. Charts and schedules contained here in are only for illustration purposes and may vary depending upon a user's specific application. While the information in this publication has been carefully checked; no responsibility, however, is assumed for in accuracies.

EXAR Corporation does not recommend the use of any of its products in life support applications where the failure or malfunction of the product can reasonably be expected to cause failure of the life support system or to significantly affect its safety or effectiveness. Products are not authorized for use in such applications unless EXAR Corporation receives, in writing, assurances to its satisfaction that: (a) the risk of injury or damage has been minimized; (b) the user assumes all such risks; (c) potential liability of EXAR Corporation is adequately protected under the circumstances.

Copyright 1998 EXAR Corporation
Datasheet July 1998

Reproduction, in part or whole, without the prior written consent of EXAR Corporation is prohibited.