



# COMLINEAR® CLC1010, CLC2010

## 70 $\mu$ A, Low Cost, 2.5 to 5.5V, 7.3MHz Rail-to-Rail Amplifiers



### FEATURES

- 70 $\mu$ A supply current
- 7.3MHz bandwidth
- Input voltage range with 5V supply:  
-0.3V to 3.8V
- Output voltage range with 5V supply:  
0.04V to 4.96V
- 9V/ $\mu$ s slew rate
- 29nV/ $\sqrt{\text{Hz}}$  input voltage noise
- 4mA linear output current
- Fully specified at 2.7V and 5V supplies
- Competes with low power CMOS amps

### APPLICATIONS

- Portable/battery-powered applications
- Mobile communications, cell phones, pagers
- ADC buffer
- Active filters
- Portable test instruments
- Signal conditioning
- Medical Equipment
- Portable medical instrumentation

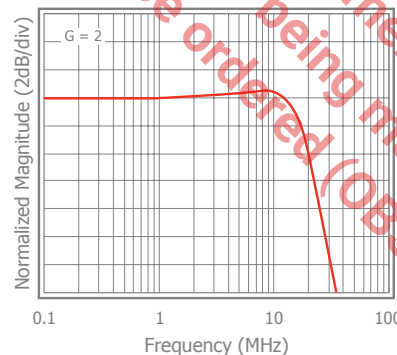
### General Description

The COMLINEAR CLC1010 (single) and CLC2010 (dual) are ultra-low power, low cost, voltage feedback amplifiers. These amplifiers use only 70 $\mu$ A of supply current and are designed to operate from a supply range of 2.5V to 5.5V ( $\pm 1.25$  to  $\pm 2.75$ ). The input voltage range extends 300mV below the negative rail and 1.2V below the positive rail.

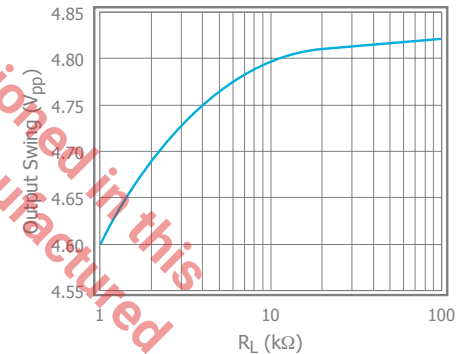
The CLC1010 and CLC2010 offer high bipolar performance at a low CMOS price. They offer superior dynamic performance with a 7.3MHz small signal bandwidth and 9V/ $\mu$ s slew rate. The combination of low power, high bandwidth, and rail-to-rail performance make the CLC1010 and CLC2010 well suited for battery-powered communication/computing systems.

### Typical Performance Examples

Frequency Response



Output Swing vs.  $R_L$



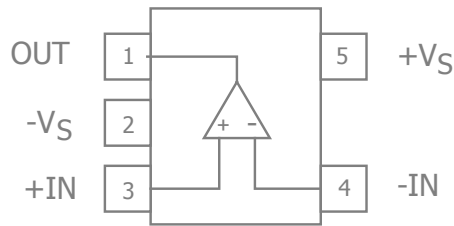
### Ordering Information

Part Number	Package	Pb-Free	RoHS Compliant	Operating Temperature Range	Packaging Method
CLC1010IST5X	SOT23-5	Yes	Yes	-40°C to +85°C	Reel
CLC1010ISO8X	SOIC-8	Yes	Yes	-40°C to +85°C	Reel
CLC2010ISO8X	SOIC-8	Yes	Yes	-40°C to +85°C	Reel

Moisture sensitivity level for all parts is MSL-1.



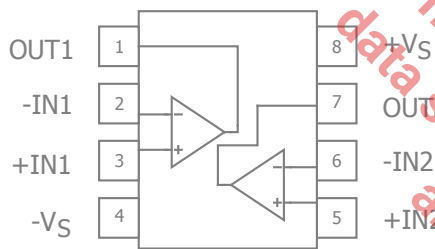
### CLC1010 Pin Configuration



### CLC1010 Pin Assignments

Pin No.	Pin Name	Description
1	OUT	Output
2	-Vs	Negative supply
3	+IN	Positive input
4	-IN	Negative input
5	+Vs	Positive supply

### CLC2010 Pin Configuration



### CLC2010 Pin Configuration

Pin No.	Pin Name	Description
1	OUT1	Output, channel 1
2	-IN1	Negative input, channel 1
3	+IN1	Positive input, channel 1
4	-Vs	Negative supply
5	+IN2	Positive input, channel 2
6	-IN2	Negative input, channel 2
7	OUT2	Output, channel 2
8	+Vs	Positive supply

The product (or products) mentioned in this data sheet are no longer being manufactured and may not be ordered (OBS)



## Absolute Maximum Ratings

The safety of the device is not guaranteed when it is operated above the "Absolute Maximum Ratings". The device should not be operated at these "absolute" limits. Adhere to the "Recommended Operating Conditions" for proper device function. The information contained in the Electrical Characteristics tables and Typical Performance plots reflect the operating conditions noted on the tables and plots.

Parameter	Min	Max	Unit
Supply Voltage	0	6	V
Input Voltage Range	$-V_S - 0.5V$	$+V_S + 0.5V$	V
Continuous Output Current	-30	30	mA

## Reliability Information

Parameter	Min	Typ	Max	Unit
Junction Temperature			175	°C
Storage Temperature Range	-65		150	°C
Lead Temperature (Soldering, 10s)			260	°C
Package Thermal Resistance				
5-Lead SOT23		221		°C/W
8-Lead SOIC		100		°C/W

Notes:

Package thermal resistance ( $\theta_{JA}$ ), JEDEC standard, multi-layer test boards, still air.

## Recommended Operating Conditions

Parameter	Min	Typ	Max	Unit
Operating Temperature Range	-40		+85	°C
Supply Voltage Range	2.5		5.5	V

The product (or products) mentioned in this data sheet are no longer being manufactured and may not be ordered (OBS)



## Electrical Characteristics at +2.7V

$T_A = 25^\circ\text{C}$ ,  $V_S = +2.7\text{V}$ ,  $R_f = R_g = 10\text{k}\Omega$ ,  $R_L = 10\text{k}\Omega$  to  $V_S/2$ ,  $G = 2$ ; unless otherwise noted.

Symbol	Parameter	Conditions	Min	Typ	Max	Units
Frequency Domain Response						
$UGBW_{SS}$	Unity Gain -3dB Bandwidth	$G = +1$ , $V_{OUT} = 0.05V_{pp}$ , $R_f = 0$		6.5		MHz
$BW_{SS}$	-3dB Bandwidth	$G = +2$ , $V_{OUT} < 0.2V_{pp}$		3		MHz
$BW_{LS}$	Large Signal Bandwidth	$G = +2$ , $V_{OUT} = 2V_{pp}$		2		MHz
GBWP	Gain Bandwidth Product	$G = +11$ , $V_{OUT} = 0.2V_{pp}$		3.5		MHz
Time Domain Response						
$t_R, t_F$	Rise and Fall Time	$V_{OUT} = 0.2\text{V}$ step; (10% to 90%)		55		ns
$t_S$	Settling Time to 0.1%	$V_{OUT} = 1\text{V}$ step		700		ns
OS	Overshoot	$V_{OUT} = 1\text{V}$ step		7		%
SR	Slew Rate	2V step, $G = -1$		7		V/ $\mu\text{s}$
Distortion/Noise Response						
HD2	2nd Harmonic Distortion	$V_{OUT} = 1V_{pp}$ , 100kHz		-68		dBc
HD3	3rd Harmonic Distortion	$V_{OUT} = 1V_{pp}$ , 100kHz		-65		dBc
THD	Total Harmonic Distortion	$V_{OUT} = 1V_{pp}$ , 100kHz		63		dB
$e_n$	Input Voltage Noise	10kHz		30		nV/ $\sqrt{\text{Hz}}$
$X_{TALK}$	Crosstalk	$V_{OUT} = 0.2V_{pp}$ , 10kHz		89		dB
DC Performance						
$V_{IO}$	Input Offset Voltage <sup>(1)</sup>		-5	1	5	mV
$dV_{IO}$	Average Drift			3		$\mu\text{V}/^\circ\text{C}$
$I_b$	Input Bias Current <sup>(1)</sup>		-250	90	250	nA
$dI_b$	Average Drift			100		pA/ $^\circ\text{C}$
$I_{OS}$	Input Offset Current <sup>(1)</sup>			2.1	100	nA
PSRR	Power Supply Rejection Ratio <sup>(1)</sup>	DC	58	63		dB
$A_{OL}$	Open-Loop Gain	$V_{OUT} = V_S/2$	65	82		dB
$I_S$	Supply Current <sup>(1)</sup>	per channel		62	95	$\mu\text{A}$
Input Characteristics						
$R_{IN}$	Input Resistance	Non-inverting		>10		M $\Omega$
$C_{IN}$	Input Capacitance			1.4		pF
CMIR	Common Mode Input Range			-0.3 to 1.5		V
CMRR	Common Mode Rejection Ratio	DC, $V_{CM} = 0\text{V}$ to $V_S - 1.5$	68	95		dB
Output Characteristics						
$V_{OUT}$	Output Voltage Swing	$R_L = 2\text{k}\Omega$ to $V_S/2$		0.07 to 2.6		V
		$R_L = 10\text{k}\Omega$ to $V_S/2$ <sup>(1)</sup>	0.15 to 2.55	0.035 to 2.665		V
$I_{OUT}$	Output Current			$\pm 4$		mA
$I_{SC}$	Short Circuit Output Current			$\pm 9$		mA

### Notes:

- 100% tested at  $25^\circ\text{C}$



## Electrical Characteristics at +5V

$T_A = 25^\circ\text{C}$ ,  $V_S = +5\text{V}$ ,  $R_f = R_g = 10\text{k}\Omega$ ,  $R_L = 10\text{k}\Omega$  to  $V_S/2$ ,  $G = 2$ ; unless otherwise noted.

Symbol	Parameter	Conditions	Min	Typ	Max	Units
Frequency Domain Response						
$UGBW_{SS}$	Unity Gain -3dB Bandwidth	$G = +1$ , $V_{OUT} = 0.05V_{pp}$ , $R_f = 0$		7.3		MHz
$BW_{SS}$	-3dB Bandwidth	$G = +2$ , $V_{OUT} < 0.2V_{pp}$		3.4		MHz
$BW_{LS}$	Large Signal Bandwidth	$G = +2$ , $V_{OUT} = 2V_{pp}$		2.5		MHz
GBWP	Gain Bandwidth Product	$G = +11$ , $V_{OUT} = 0.2V_{pp}$		4		MHz
Time Domain Response						
$t_R, t_F$	Rise and Fall Time	$V_{OUT} = 0.2\text{V}$ step; (10% to 90%)		50		ns
$t_S$	Settling Time to 0.1%	$V_{OUT} = 1\text{V}$ step		600		ns
OS	Overshoot	$V_{OUT} = 1\text{V}$ step		4		%
SR	Slew Rate	2V step, $G = -1$		9		V/ $\mu\text{s}$
Distortion/Noise Response						
HD2	2nd Harmonic Distortion	$V_{OUT} = 2V_{pp}$ , 100kHz		-67		dBc
HD3	3rd Harmonic Distortion	$V_{OUT} = 2V_{pp}$ , 100kHz		-60		dBc
THD	Total Harmonic Distortion	$V_{OUT} = 2V_{pp}$ , 100kHz		59		dB
$e_n$	Input Voltage Noise	10kHz		29		nV/ $\sqrt{\text{Hz}}$
$X_{TALK}$	Crosstalk	$V_{OUT} = 0.2V_{pp}$ , 10kHz		89		dB
DC Performance						
$V_{IO}$	Input Offset Voltage			1		mV
$dV_{IO}$	Average Drift			8		$\mu\text{V}/^\circ\text{C}$
$I_b$	Input Bias Current			90		nA
$dI_b$	Average Drift			100		pA/ $^\circ\text{C}$
$I_{OS}$	Input Offset Current			1.3		nA
PSRR	Power Supply Rejection Ratio <sup>(1)</sup>	DC	58	63		dB
$A_{OL}$	Open-Loop Gain	$V_{OUT} = V_S/2$		76		dB
$I_S$	Supply Current	per channel		70		$\mu\text{A}$
Input Characteristics						
$R_{IN}$	Input Resistance	Non-inverting		>10		M $\Omega$
$C_{IN}$	Input Capacitance			1.25		pF
CMIR	Common Mode Input Range			-0.3 to 3.8		V
CMRR	Common Mode Rejection Ratio <sup>(1)</sup>	DC, $V_{CM} = 0\text{V}$ to $V_S - 1.5$		97		dB
Output Characteristics						
$V_{OUT}$	Output Voltage Swing	$R_L = 2\text{k}\Omega$ to $V_S/2$		0.09 to 4.9		V
		$R_L = 10\text{k}\Omega$ to $V_S/2$		0.04 to 4.96		V
$I_{OUT}$	Output Current			$\pm 4$		mA
$I_{SC}$	Short Circuit Output Current			$\pm 9$		mA

### Notes:

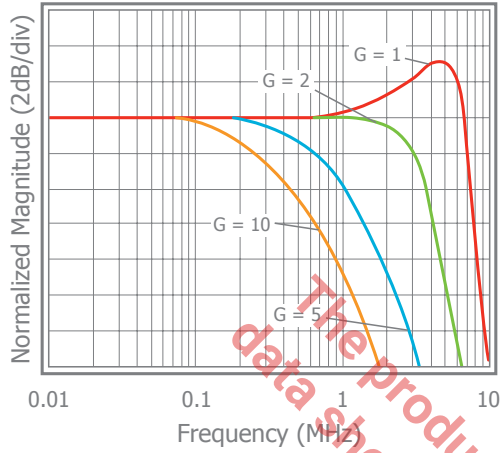
- 100% tested at  $25^\circ\text{C}$



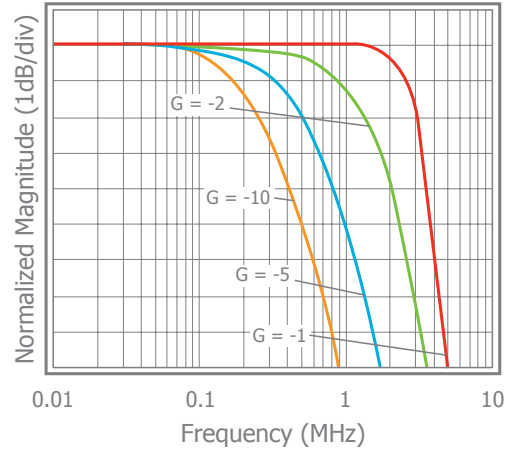
### Typical Performance Characteristics

$T_A = 25^\circ\text{C}$ ,  $V_S = +5\text{V}$ ,  $R_f = R_g = 2.5\text{k}\Omega$ ,  $R_L = 2\text{k}\Omega$  to  $V_S/2$ ,  $G = 2$ ; unless otherwise noted.

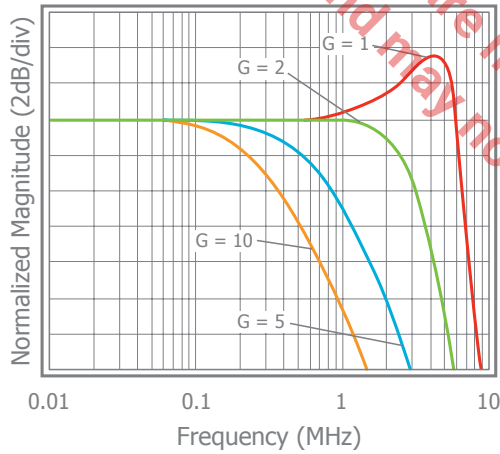
Non-Inverting Frequency Response



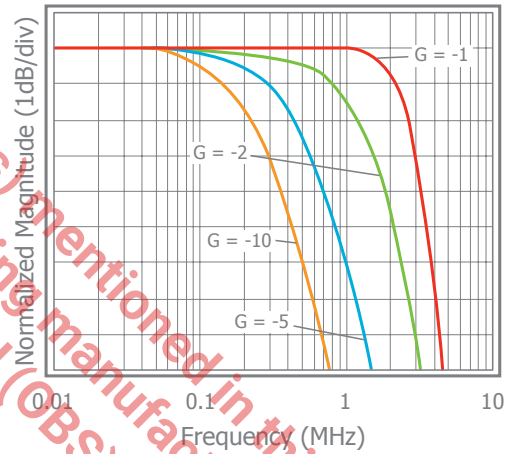
Inverting Frequency Response



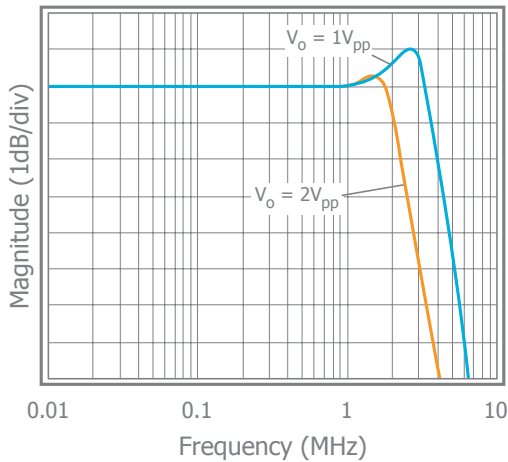
Non-Inverting Frequency Response at  $V_S = 2.7\text{V}$



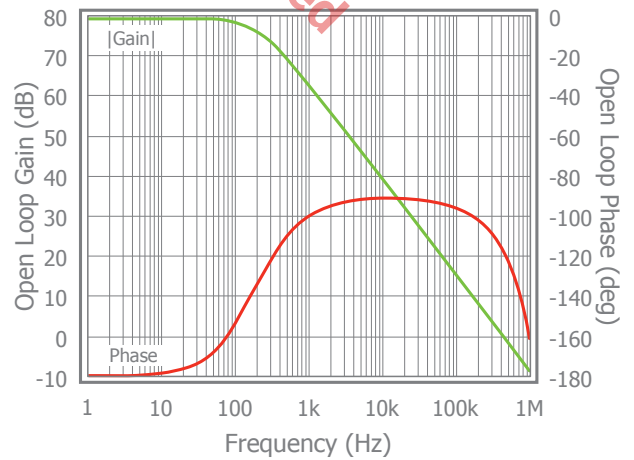
Inverting Frequency Response at  $V_S = 2.7\text{V}$



Frequency Response vs.  $V_{OUT}$



Open Loop Gain & Phase vs. Frequency



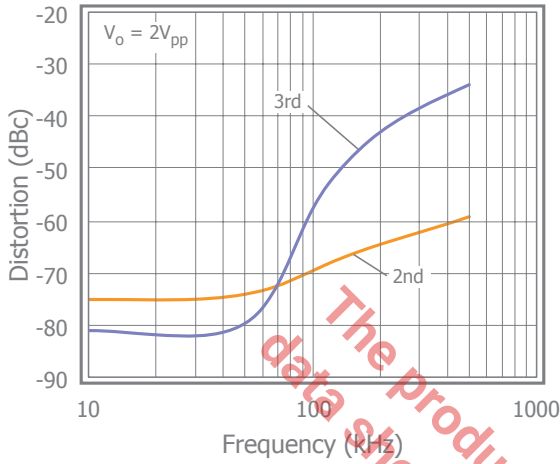
COMLINEAR CLC1010, CLC2010 70µA, Low Cost, 7.3MHz Rail-to-Rail Amplifiers Rev 1D



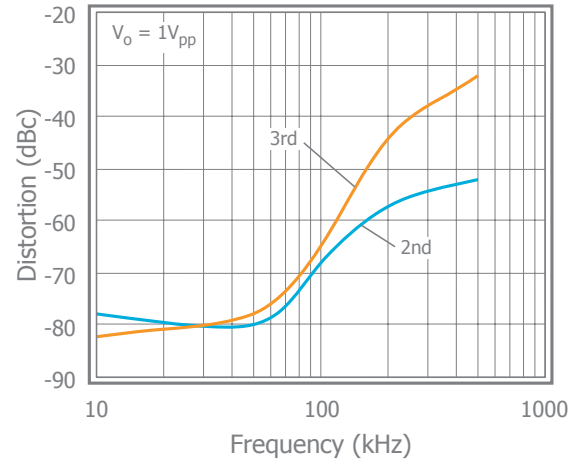
### Typical Performance Characteristics

$T_A = 25^\circ\text{C}$ ,  $V_S = +5\text{V}$ ,  $R_f = R_g = 2.5\text{k}\Omega$ ,  $R_L = 2\text{k}\Omega$  to  $V_S/2$ ,  $G = 2$ ; unless otherwise noted.

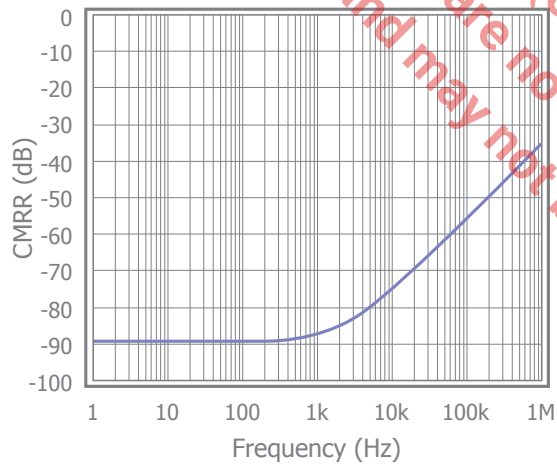
2nd & 3rd Harmonic Distortion



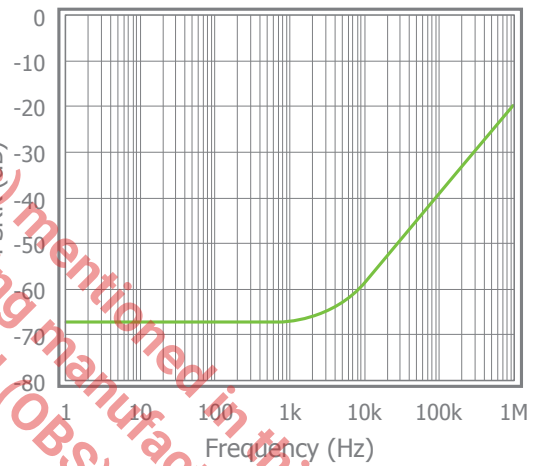
2nd & 3rd Harmonic Distortion at  $V_S = 2.7\text{V}$



CMRR

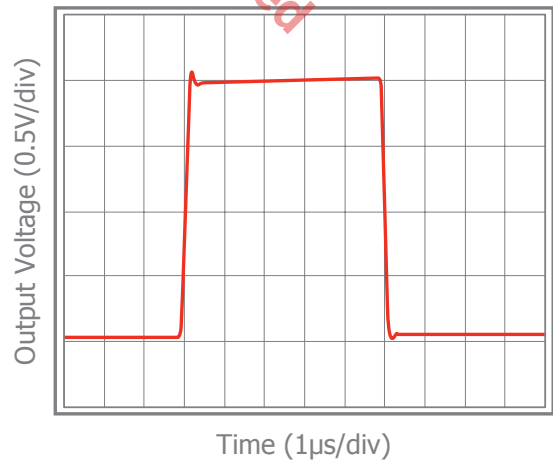


PSRR



Crosstalk vs Frequency

Large Signal Pulse Response



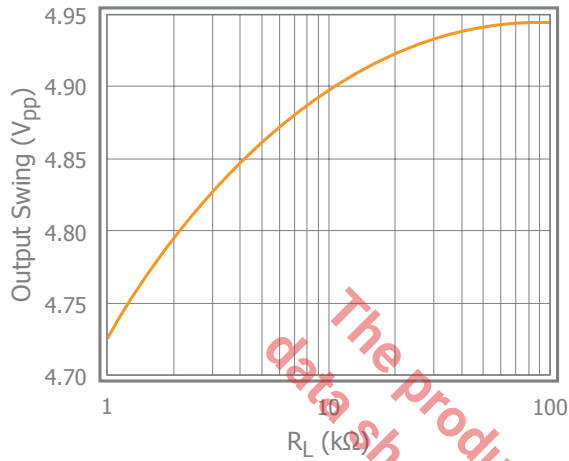
The product (or products) mentioned in this data sheet are no longer being manufactured (OBS) and may not be ordered (OBS)



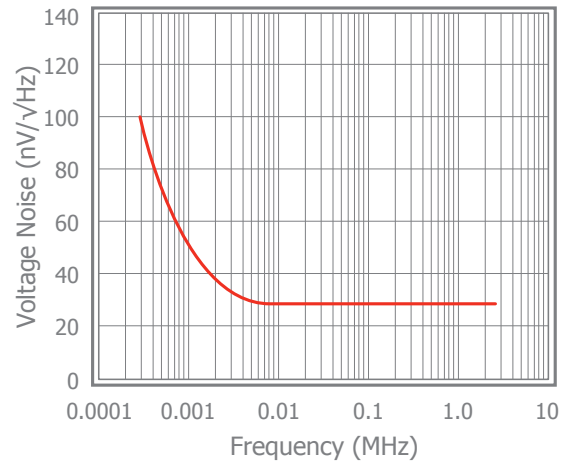
## Typical Performance Characteristics - Continued

$T_A = 25^\circ\text{C}$ ,  $V_S = +5\text{V}$ ,  $R_f = R_g = 2.5\text{k}\Omega$ ,  $R_L = 2\text{k}\Omega$  to  $V_S/2$ ,  $G = 2$ ; unless otherwise noted.

Output Swing vs.  $R_L$



Input Voltage Noise



The product (or products) mentioned in this data sheet are no longer being manufactured and may not be ordered (OBS)





## Application Information

### General Description

The CLC1010 family are a single supply, general purpose, voltage-feedback amplifiers fabricated on a complementary bipolar process. The CLC1010 offers 7.3MHz unity gain bandwidth, 9V/μs slew rate, and only 70μA supply current. It features a rail-to-rail output stage and is unity gain stable.

The design utilizes a patent pending topology that provides increased slew rate performance. The common mode input range extends to 300mV below ground and to 1.2V below Vs. Exceeding these values will not cause phase reversal. However, if the input voltage exceeds the rails by more than 0.5V, the input ESD devices will begin to conduct. The output will stay at the rail during this overdrive condition.

The design uses a Darlington output stage. The output stage is short circuit protected and offers "soft" saturation protection that improves recovery time.

Figures 1, 2, and 3 illustrate typical circuit configurations for non-inverting, inverting, and unity gain topologies for dual supply applications. They show the recommended bypass capacitor values and overall closed loop gain equations. Figure 4 shows the typical non-inverting gain circuit for single supply applications.

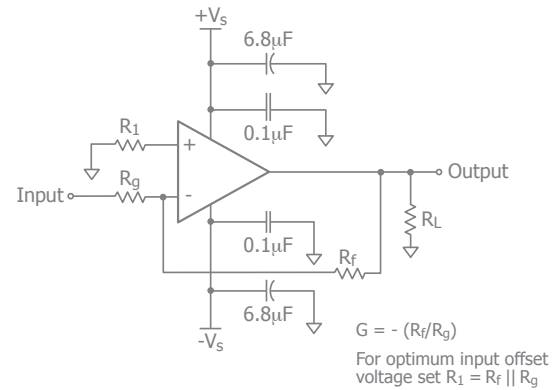


Figure 2. Typical Inverting Gain Circuit

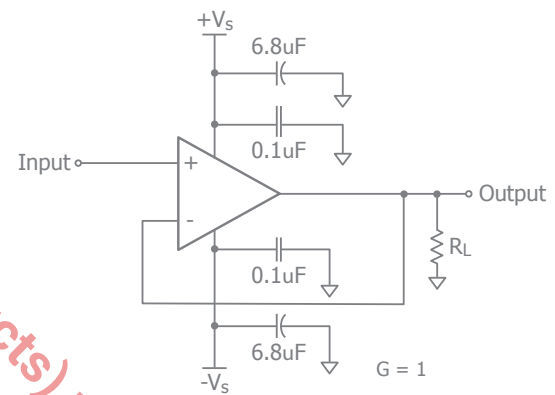


Figure 3. Unity Gain Circuit

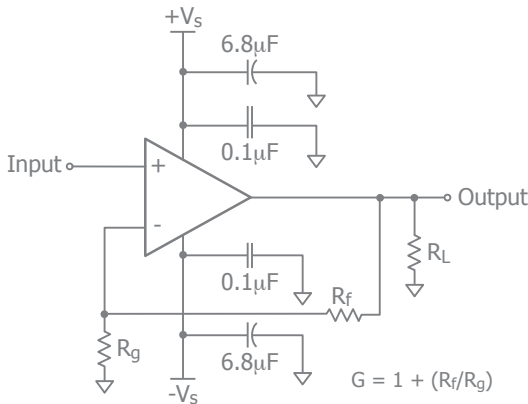


Figure 1. Typical Non-Inverting Gain Circuit

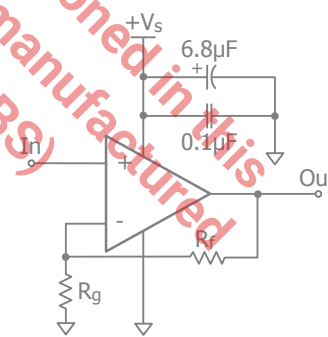


Figure 4. Single Supply Non-Inverting Gain Circuit

COMLINEAR CLC1010, CLC2010 70μA, Low Cost, 7.3MHz Rail-to-Rail Amplifiers Rev 1D



**Power Dissipation**

Power dissipation should not be a factor when operating under the stated 2kΩ load condition. However, applications with low impedance, DC coupled loads should be analyzed to ensure that maximum allowed junction temperature is not exceeded. Guidelines listed below can be used to verify that the particular application will not cause the device to operate beyond its intended operating range.

Maximum power levels are set by the absolute maximum junction rating of 150°C. To calculate the junction temperature, the package thermal resistance value  $\Theta_{JA}$  ( $\Theta_{JA}$ ) is used along with the total die power dissipation.

$$T_{\text{Junction}} = T_{\text{Ambient}} + (\Theta_{JA} \times P_D)$$

Where  $T_{\text{Ambient}}$  is the temperature of the working environment.

In order to determine  $P_D$ , the power dissipated in the load needs to be subtracted from the total power delivered by the supplies.

$$P_D = P_{\text{supply}} - P_{\text{load}}$$

Supply power is calculated by the standard power equation.

$$P_{\text{supply}} = V_{\text{supply}} \times I_{\text{RMS supply}}$$

$$V_{\text{supply}} = V_{S+} - V_{S-}$$

Power delivered to a purely resistive load is:

$$P_{\text{load}} = ((V_{\text{LOAD}})_{\text{RMS}}^2) / R_{\text{load eff}}$$

The effective load resistor ( $R_{\text{load eff}}$ ) will need to include the effect of the feedback network. For instance,

$R_{\text{load eff}}$  in Figure 3 would be calculated as:

$$R_L \parallel (R_f + R_g)$$

These measurements are basic and are relatively easy to perform with standard lab equipment. For design purposes however, prior knowledge of actual signal levels and load impedance is needed to determine the dissipated power. Here,  $P_D$  can be found from

$$P_D = P_{\text{Quiescent}} + P_{\text{Dynamic}} - P_{\text{Load}}$$

Quiescent power can be derived from the specified  $I_S$  values along with known supply voltage,  $V_{\text{Supply}}$ . Load power can be calculated as above with the desired signal amplitudes using:

$$(V_{\text{LOAD}})_{\text{RMS}} = V_{\text{PEAK}} / \sqrt{2}$$

$$(I_{\text{LOAD}})_{\text{RMS}} = (V_{\text{LOAD}})_{\text{RMS}} / R_{\text{load eff}}$$

The dynamic power is focused primarily within the output stage driving the load. This value can be calculated as:

$$P_{\text{DYNAMIC}} = (V_{S+} - V_{\text{LOAD}})_{\text{RMS}} \times (I_{\text{LOAD}})_{\text{RMS}}$$

Assuming the load is referenced in the middle of the power rails or  $V_{\text{supply}}/2$ .

The CLC1010 is short circuit protected. However, this may not guarantee that the maximum junction temperature (+150°C) is not exceeded under all conditions. Figure 5 shows the maximum safe power dissipation in the package vs. the ambient temperature for the packages available.

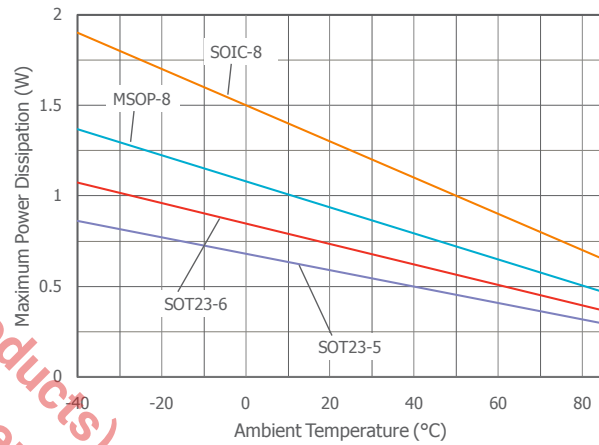


Figure 5. Maximum Power Derating

**Driving Capacitive Loads**

Increased phase delay at the output due to capacitive loading can cause ringing, peaking in the frequency response, and possible unstable behavior. Use a series resistance,  $R_S$ , between the amplifier and the load to help improve stability and settling performance. Refer to Figure 6.

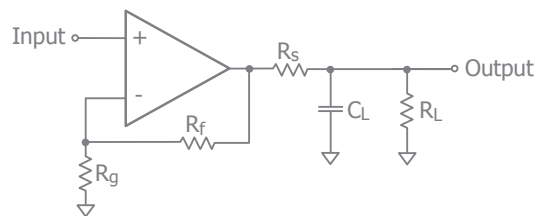


Figure 6. Addition of  $R_S$  for Driving Capacitive Loads



### Overdrive Recovery

An overdrive condition is defined as the point when either one of the inputs or the output exceed their specified voltage range. Overdrive recovery is the time needed for the amplifier to return to its normal or linear operating point. The recovery time varies, based on whether the input or output is overdriven and by how much the range is exceeded. The CLC1010 and CLC2010 will typically recover in less than 60ns from an overdrive condition.

### Layout Considerations

General layout and supply bypassing play major roles in high frequency performance. CADEKA has evaluation boards to use as a guide for high frequency layout and as an aid in device testing and characterization. Follow the steps below as a basis for high frequency layout:

- Include 6.8μF and 0.1μF ceramic capacitors for power supply decoupling
- Place the 6.8μF capacitor within 0.75 inches of the power pin
- Place the 0.1μF capacitor within 0.1 inches of the power pin
- Remove the ground plane under and around the part, especially near the input and output pins to reduce parasitic capacitance
- Minimize all trace lengths to reduce series inductances

Refer to the evaluation board layouts below for more information.

### Evaluation Board Information

The following evaluation boards are available to aid in the testing and layout of these devices:

Evaluation Board	Products
CEB002	CLC1010 in SOT23
CEB003	CLC1010 in SOIC
CEB006	CLC2010 in SOIC

### Evaluation Board Schematics

Evaluation board schematics and layouts are shown in Figures 8-14. These evaluation boards are built for dual-supply operation. Follow these steps to use the board in a single-supply application:

1. Short -Vs to ground.
2. Use C3 and C4, if the -Vs pin of the amplifier is not directly connected to the ground plane.

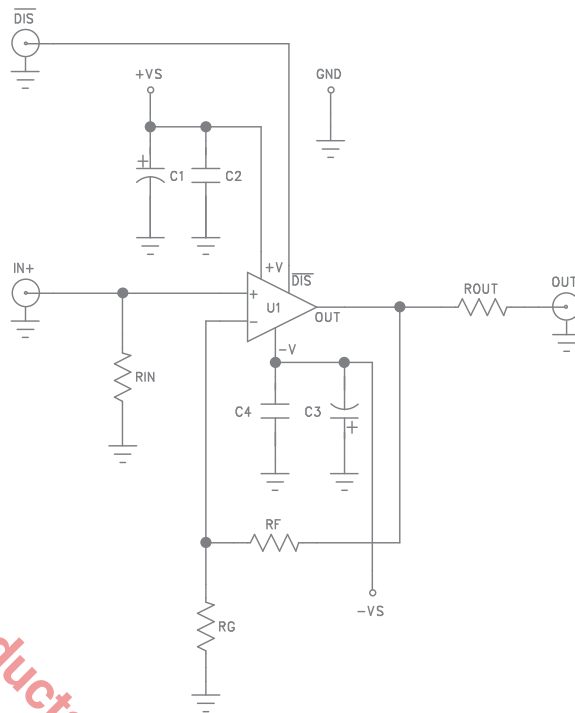


Figure 8. CEB002 & CEB003 Schematic

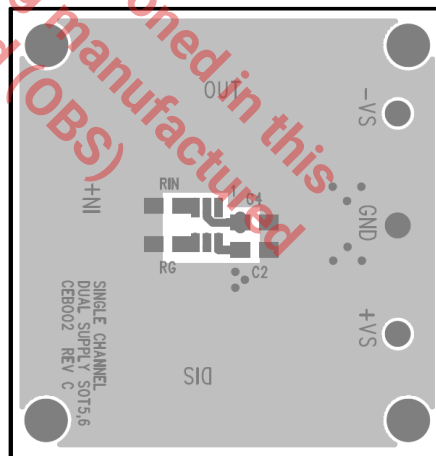


Figure 9. CEB002 Top View

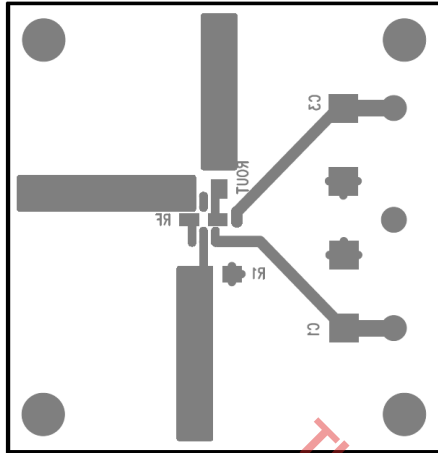


Figure 10. CEB002 Bottom View

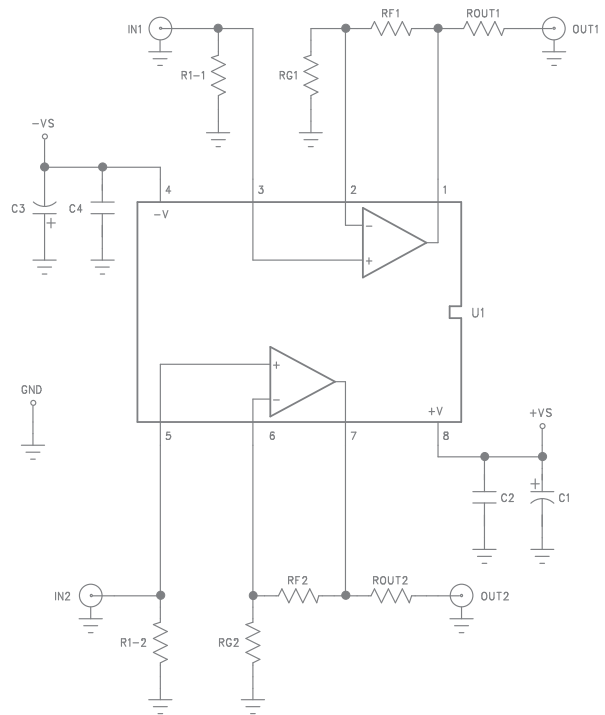


Figure 11. CEB006 Schematic

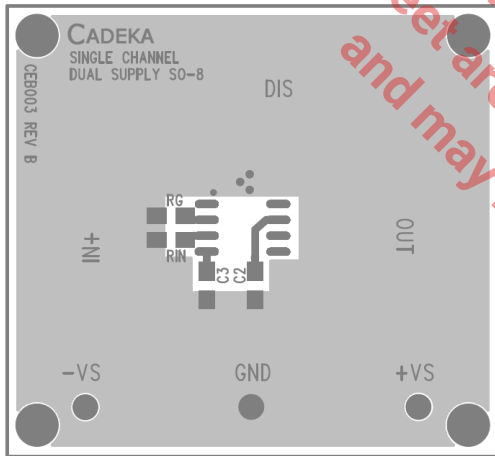


Figure 11. CEB003 Top View

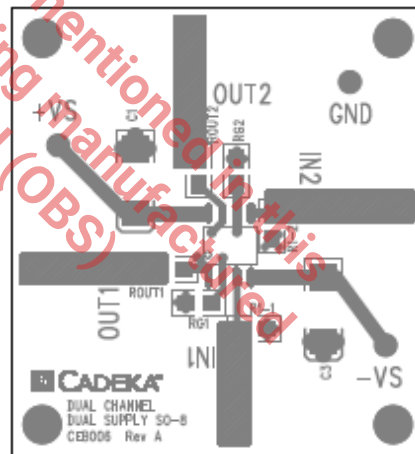


Figure 12. CEB006 Top View

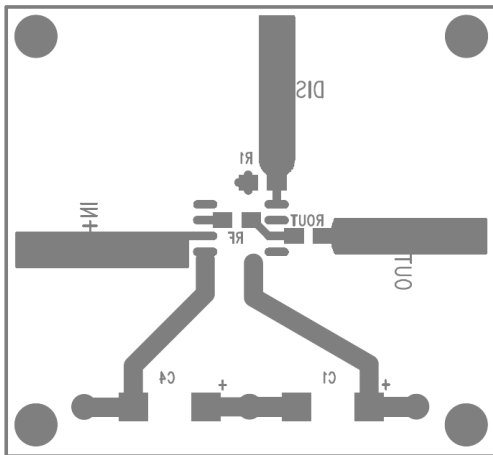


Figure 12. CEB003 Bottom View

COMLINEAR CLC1010, CLC2010 70µA, Low Cost, 7.3MHz Rail-to-Rail Amplifiers Rev 1D

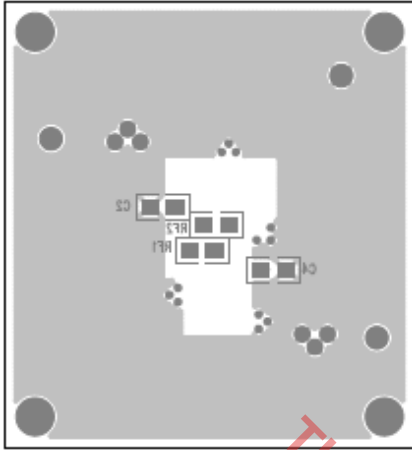


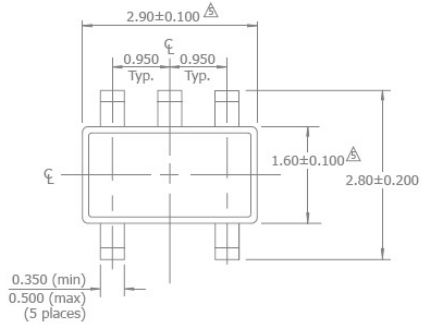
Figure 13. CEB006 Bottom View

The product (or products) mentioned in this data sheet are no longer being manufactured and may not be ordered (OBS)



## Mechanical Dimensions

### SOT23-5 Package

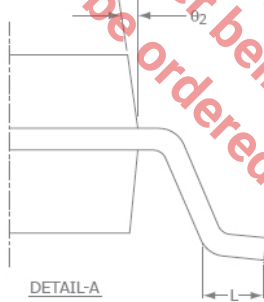
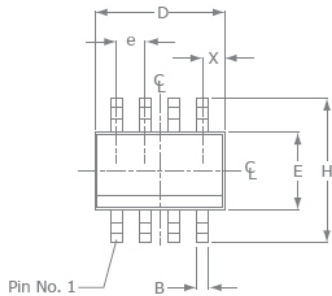


**NOTES:**

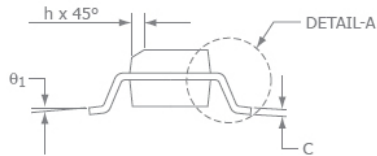
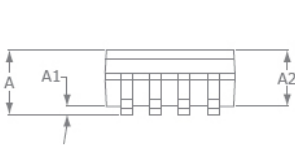
1. Dimensions and tolerances are as per ANSI Y14.5M-1982.
  2. Package surface to be matte finish VDI 11~13.
  3. Die is facing up for mold. Die is facing down for trim/form, ie. reverse trim/form.
  4. The footlength measuring is based on the gauge plane method.
- △ Dimension are exclusive of mold flash and gate burr.  
 △ Dimension are exclusive of solder plating.



### SOIC-8



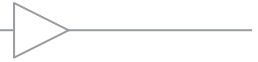
SOIC-8		
SYMBOL	MIN	MAX
A1	0.10	0.25
B	0.36	0.48
C	0.19	0.25
D	4.80	4.98
E	3.81	3.99
e	1.27 BSC	
H	5.80	6.20
h	0.25	0.5
h <sub>1</sub>	0.41	1.27
A	1.37	1.73
θ <sub>1</sub>	0°	8°
θ <sub>2</sub>	0.55 ref	
e	1.27 BSC	



**NOTE:**

1. All dimensions are in millimeters.
2. Lead coplanarity should be 0 to 0.1mm (0.004") max.
3. Package surface finishing: VDI 24~27
4. All dimension excluding mold flashes.
5. The lead width, B to be determined at 0.1905mm from the lead tip.

The product (or products) mentioned in this data sheet are no longer being manufactured (OBS) and may not be ordered



The product (or products) mentioned in this data sheet are no longer being manufactured and may not be ordered (OBS)

**For Further Assistance:**

**Exar Corporation Headquarters and Sales Offices**

48720 Kato Road                      Tel.: +1 (510) 668-7000  
Fremont, CA 94538 - USA              Fax: +1 (510) 668-7001  
www.exar.com



A New Direction in Mixed-Signal

**NOTICE**  
EXAR Corporation reserves the right to make changes to the products contained in this publication in order to improve design, performance or reliability. EXAR Corporation assumes no responsibility for the use of any circuits described herein, conveys no license under any patent or other right, and makes no representation that the circuits are free of patent infringement. Charts and schedules contained here in are only for illustration purposes and may vary depending upon a user's specific application. While the information in this publication has been carefully checked; no responsibility, however, is assumed for inaccuracies.

EXAR Corporation does not recommend the use of any of its products in life support applications where the failure or malfunction of the product can reasonably be expected to cause failure of the life support system or to significantly affect its safety or effectiveness. Products are not authorized for use in such applications unless EXAR Corporation receives, in writing, assurances to its satisfaction that: (a) the risk of injury or damage has been minimized; (b) the user assumes all such risks; (c) potential liability of EXAR Corporation is adequately protected under the circumstances.

Reproduction, in part or whole, without the prior written consent of EXAR Corporation is prohibited.