

### FEATURES

- Performs clock and data recovery for selectable data of 622.08 Mbps (STS-12/STM-4) or 155.52 Mbps (STS-3/STM-1) NRZ data
- Meets Telcordia, ANSI and ITU-T G.783 and G.825 SDH jitter requirements including T1.105.03 - 2002 SONET Jitter Tolerance specification, and GR-253 CORE, GR-253 ILR SONET Jitter specifications.
- Lock output pin monitors data run length and frequency drift from reference clock
- Data is resampled at the output
- Active High Signal Detect (SIGD) LVPECL input
- Low jitter, high-speed outputs support LVPECL and low-power LVDS termination
- 19.44 MHz reference frequency LVTTTL input
- Low power: 215 mW typical
- 3.3V power supply
- 20-pin TSSOP package
- Requires one external capacitor
- PLL bypass operation facilitates board debug process
- ESD greater than 2kV on all pins

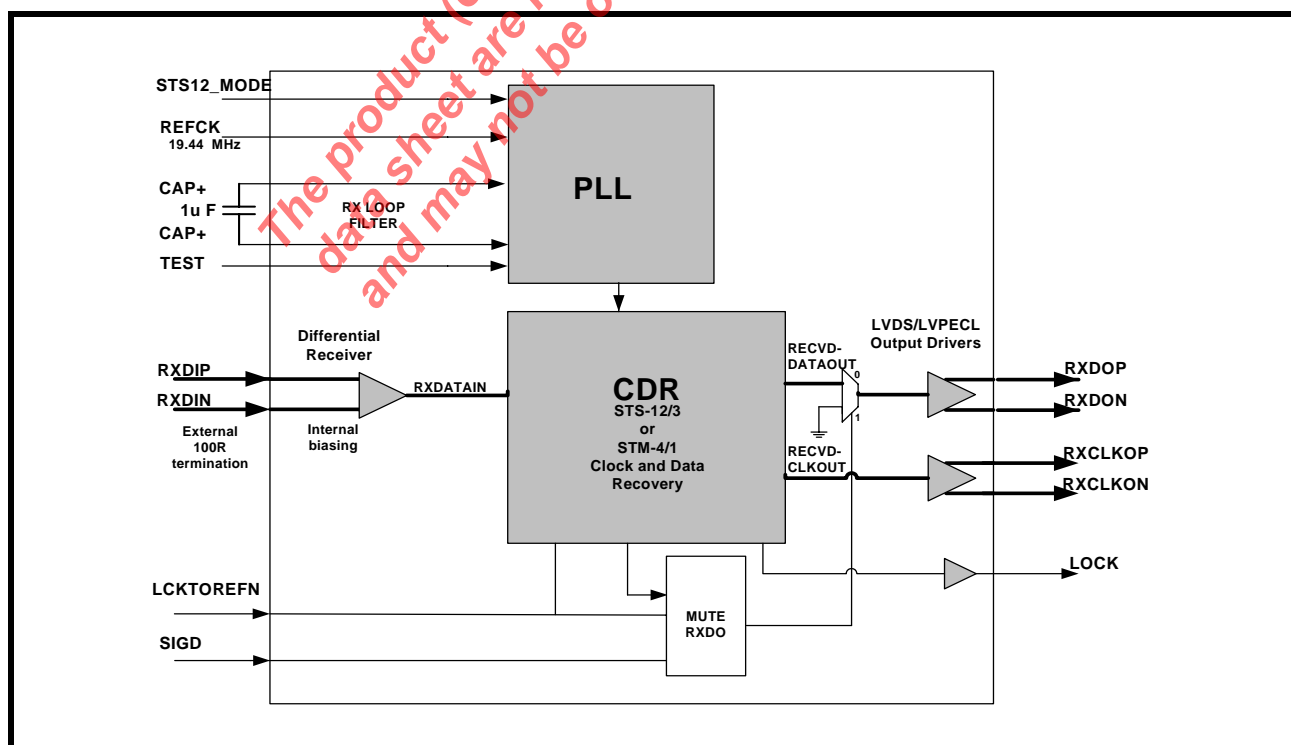
### APPLICATIONS

- SONET/SDH-based Transmission Systems
- Add/Drop Multiplexers
- Cross Connect Equipment
- ATM and Multi-Service Switches, Routers and Switch/Routers
- DSLAMS
- SONET/SDH Test Equipment
- DWDM Termination Equipment

### GENERAL DESCRIPTION

The XRT91L33 is a fully integrated multirate Clock and Data Recovery (CDR) device for SONET/SDH 622.08 Mbps STS-12/STM-4 or 155.52 Mbps STS-3/STM-1 applications. The device provides Clock and Data Recovery (CDR) function by synchronizing its on-chip Voltage Controlled Oscillator (VCO) to the incoming serial scrambled non-return to zero (NRZ) data stream. **Figure 1** shows the block diagram of the XRT91L33.

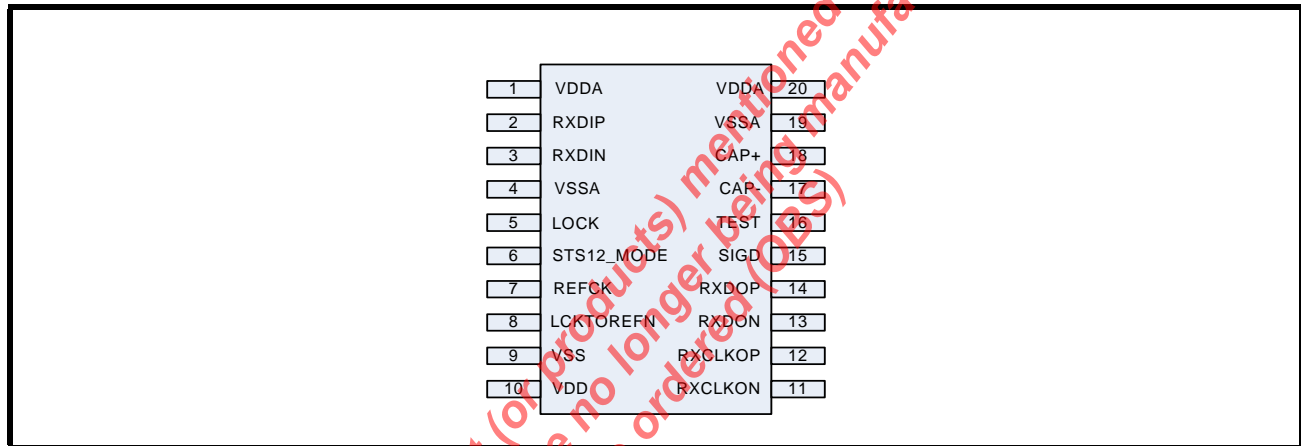
**FIGURE 1. BLOCK DIAGRAM OF XRT91L33**



**CLOCK AND DATA RECOVERY OVERVIEW**

The clock and data recovery (CDR) unit accepts high speed NRZ serial data from the Differential receiver and generates a clock with a frequency equal to that of the incoming data. The CDR block uses a reference clock to train and monitor its clock recovery PLL. Upon startup, the PLL locks to the local reference clock. Once this is achieved, the PLL attempts to lock onto the incoming receive serial data stream. Whenever the recovered clock frequency deviates from the local reference clock frequency by more than approximately  $\pm 500$  ppm, the clock recovery PLL will switch and lock back onto the local reference clock and declare a Loss of Lock. Whenever a Loss of Lock or a Loss of Signal event occurs, the CDR will continue to supply a recovered clock (based on the local reference) to the framer/mapper device. An LOS condition occurs when either SIGD or LCKTOREFN is low. In this case, the receive serial data output is forced to a logic zero state for the entire duration of the LOS condition. This acts as a receive data mute upon LOS function to prevent random noise from being misinterpreted as valid incoming data. When SIGD becomes active again, the recovered clock is determined to be within  $\pm 500$  ppm accuracy with respect to the local reference source and LOS is no longer declared, the clock recovery PLL will switch and lock back onto the incoming receive serial data stream.

**FIGURE 2. 20 PIN TSSOP OF XRT91L33 (TOP VIEW)**



**TABLE 1: ORDERING INFORMATION**

PART NUMBER	PACKAGE	OPERATING TEMPERATURE RANGE
XRT91L33IG	20-pin TSSOP Package	-40°C to +85°C
XRT91L33IG-F	20-Pin TSSOP Lead-Free Package	-40°C to +85°C



**FEATURES**..... 1

**APPLICATIONS** ..... 1

**GENERAL DESCRIPTION**..... 1

    FIGURE 1. BLOCK DIAGRAM OF XRT91L33..... 1

    CLOCK AND DATA RECOVERY OVERVIEW ..... 2

    FIGURE 2. 20 PIN TSSOP OF XRT91L33 (TOP VIEW)..... 2

    TABLE 1: ORDERING INFORMATION..... 2

**1.0 PIN DESCRIPTIONS** ..... 4

    TABLE 2: PIN DESCRIPTION TABLE ..... 4

..... 5

**2.0 FUNCTIONAL DESCRIPTION** ..... 6

    2.1 REFERENCE CLOCK INPUT ..... 6

    2.2 RECEIVE CLOCK AND DATA RECOVERY ..... 6

    2.3 EXTERNAL RECEIVE LOOP FILTER CAPACITOR ..... 6

    2.4 STS-12/STM-4 AND STS-3/STM-1 MODE OF OPERATION ..... 6

    2.5 SIGNAL DETECTION ..... 6

        FIGURE 3. CONTROL DIAGRAM FOR SIGNAL DETECTION CIRCUIT AND PLL TEST OPERATION..... 7

    2.6 LOCK DETECTION ..... 7

    2.7 PLL TEST OPERATION ..... 7

        TABLE 3: SIGNAL DETECT AND PLL TEST OPERATION CONTROL ..... 8

**3.0 ELECTRICAL CHARACTERISTICS** ..... 9

    3.1 ABSOLUTE MAXIMUM RATINGS ..... 9

        TABLE 4: ABSOLUTE MAXIMUM RATINGS..... 9

    3.2 OPERATING CONDITIONS ..... 9

        TABLE 5: RECOMMENDED OPERATING CONDITIONS ..... 9

    3.3 LVPECL SINGLE ENDED INPUT AND OUTPUT DC CHARACTERISTICS ..... 9

        TABLE 6: LVPECL SINGLE ENDED INPUTS AND OUTPUTS..... 9

    3.4 LVPECL DIFFERENTIAL INPUT AND OUTPUT DC CHARACTERISTICS ..... 10

        TABLE 7: LVPECL DIFFERENTIAL INPUTS AND OUPUTS..... 10

        FIGURE 4. DIFFERENTIAL VOLTAGE SWING DEFINITIONS (INPUT OR OUTPUT) FOR CLOCK AND DATA ..... 10

        TABLE 8: LVDS OUTPUTS..... 10

        TABLE 9: LVTTTL INPUTS..... 11

    3.5 AC CHARACTERISTICS ..... 11

        TABLE 10: PERFORMANCE SPECIFICATIONS..... 11

**4.0 JITTER PERFORMANCE** ..... 12

    4.1 SONET JITTER REQUIREMENTS ..... 12

        4.1.1 RX JITTER TOLERANCE..... 12

            FIGURE 5. GR-253/G.783 JITTER TOLERANCE MASK ..... 12

            FIGURE 6. XRT91L33 JITTER TOLERANCE AT 155 MBPS OC3/STM-1..... 13

            FIGURE 7. XRT91L33 JITTER TOLERANCE AT 622 MBPS OC12/STM-4..... 13

        4.1.2 JITTER GENERATION..... 13

**5.0 HIGH-SPEED OUTPUTS** ..... 14

    FIGURE 8. HIGH SPEED OUTPUTS, LVDS TERMINATION..... 14

    FIGURE 9. HIGH-SPEED OUTPUTS, LVPECL TERMINATION OPTIONS ..... 14

**6.0 RESAMPLED DATA AND CLOCK OUTPUTS** ..... 15

    FIGURE 10. OUTPUT DATA AND CLOCK AFTER RESAMPLING..... 15

    TABLE 11: OUTPUT TIMING ..... 15

**7.0 PACKAGE DIMENSIONS** ..... 16

    TABLE 12: REVISION HISTORY..... 16

## 1.0 PIN DESCRIPTIONS

TABLE 2: PIN DESCRIPTION TABLE

NAME	LEVEL	TYPE	PIN	DESCRIPTION
VDDA	PWR	PWR	1	3.3V Power supply
RXDIP	LVDS/PECL	I	2	Positive side of receive data input. The high-speed output clock (RXCLKOP/N) is recovered from this high-speed differential input data.
RXDIN	LVDS/PECL	I	3	Negative side of receive data input. The high-speed output clock (RXCLKOP/N) is recovered from this high-speed differential input data.
VSSA	PWR	PWR	4	Ground pin
LOCK	LVPECL	O	5	Active HIGH to indicate that the PLL is locked to serial data input and valid clock and data are present at the serial outputs (RXDOP/N and RXCLKOP/N). The LOCK will go inactive under the following conditions: <ul style="list-style-type: none"> <li>• If SIGD is set LOW</li> <li>• If LCKTOREFN is set LOW</li> <li>• If the VCO has drifted away from the local reference clock, REFCK, by more than +/- 500 ppm</li> </ul>
STS12_MODE	LVTTTL	I	6	STS-12 or STS-3 mode selection. Set HIGH to select the STS-12 operation. Set LOW for STS-3 operation
REFCK	LVTTTL	I	7	Local 19.44 MHz reference clock input for the CDR. REFCK is used for the PLL phase adjustment during power up. It also serves as a stable clock source in the absence of serial input data.
LCKTOREFN	LVTTTL	I	8	Lock to REFCK input. When set LOW, this pin causes the output clock, RXCLKOP/N to be held within +/- 500ppm of the input reference clock REFCK and forces the RXDOP/N to a low state.
VSS	PWR	PWR	9	Ground pin
VDD	PWR	PWR	10	3.3V power supply
RXCLKON	LVDS/LVPECL	O	11	High-speed clock output, negative. This clock is recovered from the receive data input (RXDIP/N) and supports either LVDS or LVPECL termination
RXCLKOP	LVDS/LVPECL	O	12	High-speed clock output, positive. This clock is recovered from the receive data input (RXDIP/N) and supports either LVDS or LVPECL termination
RXDON	LVDS/LVPECL	O	13	High-speed output, negative. This is the retimed version of the recovered data stream from RXDIP/N and can be in either LVDS or LVPECL termination
RXDOP	LVDS/LVPECL	O	14	High-speed output, positive. This is the retimed version of the recovered data stream from RXDIP/N and can be in either LVDS or LVPECL termination



NAME	LEVEL	TYPE	PIN	DESCRIPTION
SIGD	LVPECL	I	15	Signal detect. SIGD should be connected to the SIGD output on the optical module. SIGD is active HIGH. When SIGD is set HIGH, it means there is sufficient optical power. When SIGD is LOW, this indicates an LOS condition, the RXCLKOP/N output signal will be held to within +/- 500 ppm of the REFCK input. Additionally, the RXDOP/N will be held in the LOW state.
TEST	LVTTTL	I	16	Used for production testing. Set to VSS for normal operation.
CAP-	Analog	I	17	Negative side of the external loop filter. The loop filter capacitor should be connected to these pins. The capacitor value should be 1.0 $\mu$ F +/- 10 %
CAP+	Analog	I	18	Positive side of the external loop filter. The loop filter capacitor should be connected to these pins. The capacitor value should be 1.0 $\mu$ F +/- 10 %
VSSA	PWR	PWR	19	Ground pin
VDDA	PWR	PWR	20	3.3V power supply

The product (or products) mentioned in this data sheet are no longer being manufactured and may not be ordered (OBS)

## 2.0 FUNCTIONAL DESCRIPTION

The XRT91L33 CDR is designed to operate with a SONET Framer/ASIC device and provide a high-speed serial clock and data recovery interface to optical networks. The CDR receives a differential NRZ serial bit stream running at STS-12/STM-4 or STS-3/STM-1 and generates recovered serial clock and data via differential LVDS/LVPECL drivers.

### 2.1 Reference Clock Input

The XRT91L33 accepts a 19.44 MHz LVTTTL clock input at REFCK. The REFCK should be generated from a source that has a frequency accuracy better than  $\pm 100$ ppm in order for the CDR Loss of Lock detector to have the necessary accuracy required for SONET systems.

### 2.2 Receive Clock and Data Recovery

The clock and data recovery (CDR) unit accepts the high-speed NRZ serial data from the Differential receiver and generates a clock that is the same frequency as the incoming data. The clock recovery block utilizes the reference clock from REFCK to train and monitor its clock recovery PLL. Upon startup, the PLL locks to the local reference clock. Once this is achieved, the PLL then attempts to lock onto the incoming receive serial data stream. Whenever the recovered clock frequency deviates from the local reference clock frequency by more than approximately  $\pm 500$ ppm, the clock recovery PLL will switch to the local reference clock, declare a Loss of Lock and output a LOW level signal on the LOCK output pin. Whenever a Loss of Lock (LOL) or a Loss of Signal (LOS) event occurs, the CDR will continue to supply a receive clock (based on the local reference).

### 2.3 External Receive Loop Filter Capacitor

For STS12/STM4 and STS3/STM1 operation, the XRT91L33 uses a 1.0uF (or greater) external loop filter capacitor to achieve the required receiver jitter performance. It must be well isolated to prohibit noise entering the CDR block and should be placed as close to the pins as possible. The non-polarized capacitor should be of  $\pm 10\%$  tolerance. Use type X7R or X5R capacitors for improved stability over temperature.

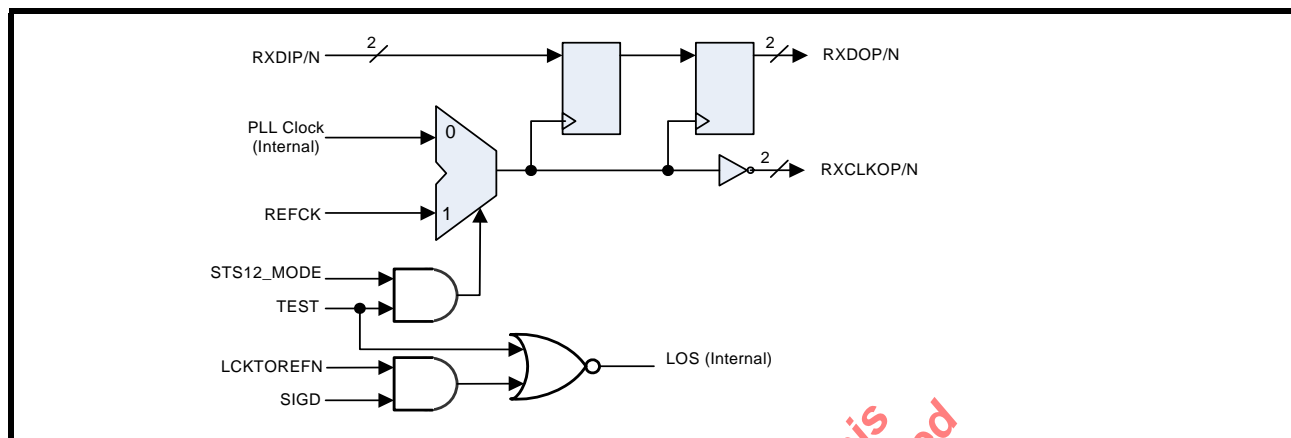
### 2.4 STS-12/STM-4 and STS-3/STM-1 Mode of Operation

The VCO output signal is fed into a programmable frequency divider allowing to properly set the PLL operating frequency corresponding to the desired data rate. For 622.08 Mbps signal STS12\_MODE is set HIGH and for 155.52 Mbps, STS12\_MODE is set LOW.

### 2.5 Signal Detection

XRT91L33 has two control pins that are used to indicate an LOS condition (Loss Of Signal). The SIGD pin is a LVPECL input and the LCKTOREFN pin is a LVTTTL input. They are internally connected as shown in Figure 3. If either of these two inputs goes LOW and TEST is LOW, XRT91L33 will enter a Loss of Signal (LOS) state, and will mute the RXDOP/N. During the LOS state, XRT91L33 will also maintain RXCLKOP/N within  $\pm 500$ ppm of the input reference clock, REFCK. Most optical modules have an SIGD output. This SIGD output indicates that there is sufficient optical power and is typically active HIGH. If the SIGD output on the optical module is LVPECL, it should be connected directly to the SIGD input of XRT91L33, and the LCKTOREFN input should be tied HIGH. If the SIGD output is LVTTTL, it should be connected directly to the LCKTOREFN input and the SIGD input should be tied HIGH. The SIGD and LCKTOREFN inputs also can be used for other applications when it is required to hold RXCLKOP/N output within  $\pm 500$ ppm of the input reference clock and mute the serial data output lines.

FIGURE 3. CONTROL DIAGRAM FOR SIGNAL DETECTION CIRCUIT AND PLL TEST OPERATION



### 2.6 Lock Detection

XRT91L33 features a PLL lock detection circuit. The lock detect (LOCK) output goes HIGH to indicate that the PLL is locked to the serial data input and valid data and clock are present at the high-speed differential output. The LOCK output will go LOW if either the LOCKTOREFN or the SIGD input is forced LOW. Additionally, LOCK will also go low if the incoming data frequency is more than +/-500ppm away from the reference clock frequency (REFCK x 32 in OC12 mode, REFCLK x 8 in OC3 mode). When LOCK output is driven LOW, the VCO is forced to lock to REFCK and then released to lock on the incoming data. If the incoming data frequency remains outside the +/-500ppm window, the training mode is repeated. Debounce logic stabilizes the LOCK output pin to stay LOW for incoming frequencies well beyond the +/-500ppm window.

### 2.7 PLL Test Operation

The TEST pin is intended for use in production test and should be set at logic LOW in normal operation. If both TEST and STS12\_MODE pins are set to logic HIGH, XRT91L33 will bypass the PLL and present an inverted version of the REFCK to the clock output RXCLKOP/N. REFCK's rising edge is used to capture the input data and transmit data to RXDOP/N. This bypass test operation can be used to facilitate board level debugging process.

The product (or products) mentioned in this data sheet are no longer being manufactured and may not be ordered (OBSOLETE)

TABLE 3: SIGNAL DETECT AND PLL TEST OPERATION CONTROL

STS12_MODE	TEST	LCKTOREFN	SIGD	RXDO	RXCLKO
1	0	1	1	RXDI	PLL clock
1	0	1	0	Muted	PLL clock
1	0	0	1	Muted	PLL clock
1	0	0	0	Muted	PLL clock
1	1	X	X	RXDI	REFCK
0	0	1	1	RXDI	PLL clock
0	0	1	0	Muted	PLL clock
0	0	0	1	Muted	PLL clock
0	0	0	0	Muted	PLL clock
0	1	X	X	Not allowed	Not allowed

The product (or products) mentioned in this data sheet are no longer being manufactured and may not be ordered (OBS)



**3.0 ELECTRICAL CHARACTERISTICS**
**3.1 Absolute Maximum RATINGS**
**TABLE 4: ABSOLUTE MAXIMUM RATINGS**

SYMBOL	PARAMETER	MINIMUM	MAXIMUM	UNIT
$V_{DD}$	Power supply voltage, referenced to GND	-0.5	4.0	V
	DC input voltage (LVPECL, LVTTTL)	-0.5	$V_{DD}+0.5$	V
	Output current (LVDS or LVPECL)	-50	+50	mA
$T_S$	Storage Temperature	-65	150	$^{\circ}C$
$V_{ESD}$	Electrostatic discharge voltage, human body model	-2000	2000	V

**3.2 Operating Conditions**
**TABLE 5: RECOMMENDED OPERATING CONDITIONS**

SYMBOL	PARAMETER	MIN.	TYP.	MAX.	UNITS
$V_{DD}$	Power supply voltage	3.135	3.3	3.465	V
Temp	Operating Temperature under bias <sup>1</sup>	-40		85	$^{\circ}C$
$I_{DD}$	Power supply current (outputs unterminated)		65	80	mA
$P_D$	Power dissipation (outputs unterminated)		215	277	mW

1. Lower limit of specification is ambient temperature, and upper limit is case temperature.

**3.3 LVPECL Single Ended Input and Output DC characteristics**
**TABLE 6: LVPECL SINGLE ENDED INPUTS AND OUTPUTS**

SYMBOL	PARAMETER	MIN.	TYP.	MAX.	UNITS	CONDITIONS
$V_{IH}$	Input HIGH voltage	$V_{DD}-1.125$		$V_{DD}-0.5$	V	Guaranteed input HIGH voltage
$V_{IL}$	Input LOW voltage	$V_{DD}-2.0$		$V_{DD}-1.5$	V	Guaranteed input LOW voltage
$I_{IH}$	Input HIGH current	-0.5		10	$\mu A$	$V_{IN} = V_{DD} - 0.5V$
$I_{IL}$	Input LOW current	-0.5		10	$\mu A$	$V_{IN} = V_{DD} - 2.0V$
$V_{OL}$	Output LOW voltage	$V_{DD}-2.0$		$V_{DD}-1.8$	V	$50\Omega$ to $(V_{DD}-2.0V)$
$V_{OH}$	Output HIGH voltage	$V_{DD}-1.25$		$V_{DD}-0.67$	V	$50\Omega$ to $(V_{DD}-2.0V)$

## 3.4 LVPECL Differential Input and Output DC characteristics

TABLE 7: LVPECL DIFFERENTIAL INPUTS AND OUTPUTS

SYMBOL	PARAMETER	MIN.	TYP.	MAX.	UNITS	CONDITIONS
$V_{IH}$	Input HIGH voltage	$V_{DD}-1.75$		$V_{DD}-0.4$	V	Guaranteed input HIGH voltage
$V_{IL}$	Input LOW voltage	$V_{DD}-2.0$		$V_{DD}-0.7$	V	Guaranteed input LOW voltage
$I_{IH}$	Input HIGH current	-0.5		10	$\mu A$	$V_{IN\ DIFF} = 0.5V$
$I_{IL}$	Input LOW current	-0.5		10	$\mu A$	$V_{IN\ DIFF} = 0.5V$
$V_{IDIFF}$	Input PECL Differential Voltage, peak-to-peak swing (see Figure 4)	250			mV	
$V_{OCM}$	Output Common-Mode Voltage	0.8	1.35	1.7	V	$50\Omega$ to $(V_{DD}-2.0V)$
$V_{ODIFF}$	Output LVPECL Differential Voltage, peak-to-peak swing (see Figure 4)	800		1700	mV	$50\Omega$ to $(V_{DD}-2.0V)$

FIGURE 4. DIFFERENTIAL VOLTAGE SWING DEFINITIONS (INPUT OR OUTPUT) FOR CLOCK AND DATA

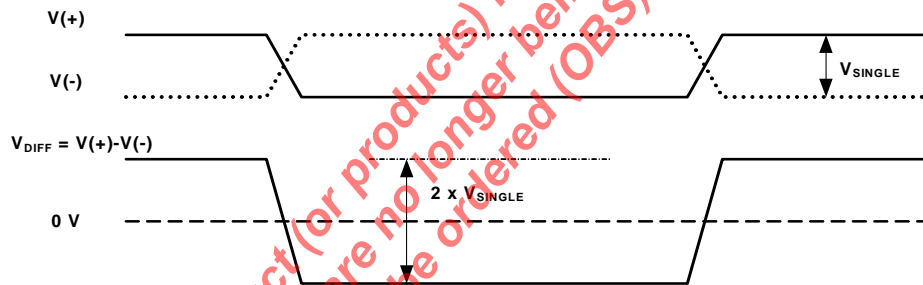


TABLE 8: LVDS OUTPUTS

SYMBOL	PARAMETER	MIN.	TYP.	MAX.	UNITS	CONDITIONS
$V_{OCM}$	Output common-mode voltage	1.0	1.35	1.7	V	$100\Omega$ between RXDOP/N and RXCLKP/N
$V_{ODIFF}$	Output LVDS Differential Voltage, peak-to-peak Swing (see Figure 4)	700		1700	mV	$100\Omega$ between RXDOP/N and RXCLKP/N

**TABLE 9: LVTTTL INPUTS**

SYMBOL	PARAMETER	MIN.	TYP.	MAX.	UNITS	CONDITIONS
$V_{IH}$	Input HIGH voltage	2.0		$V_{DD}$	V	
$V_{IL}$	Input LOW voltage	0		0.8	V	
$I_{IH}$	Input HIGH current	-50		50	$\mu A$	$V_{IN} = 2.75 V, V_{DD} =$ Maximum
$I_{IL}$	Input LOW current	-50		50	$\mu A$	$V_{IN} = 0.5 V, V_{DD} =$ Maximum

### 3.5 AC Characteristics

**TABLE 10: PERFORMANCE SPECIFICATIONS**

Test Condition: $V_{DD} = 3.3V \pm 5\%$ unless otherwise specified						
SYMBOL	PARAMETER	MIN	TYP	MAX	UNITS	CONDITIONS
f	VCO center frequency		622.08		MHz	
$f_{TOL}$	CDR's reference clock frequency	-250		250	ppm	
$f_{TREF\_CLK}$	OC-12/STS-12 capture range	-500		500	ppm	with respect to the fixed reference frequency
$CLKOUT_{DC}$	Clock output duty cycle	45		55	% UI	20% minimum transition density
$t_{LOCK}$	OC-12/STS-12 acquisition lock time			16	$\mu s$	Valid REFCK and device already powered up
$t_{LOCK\_R},$ $t_{LOCK\_F}$	LOCK output rise and fall time			500	ps	10% to 90%, with 100 $\Omega$ and 5 pF capacitive equivalent load
$J_{GEN\_CLK}$	RXCLKOP/N jitter generation		0.005	0.01	$U_{I_{rms}}$	
$J_{TOL}$	OC-12/STS-12 jitter tolerance	0.40	0.5		UI	Sinusoidal input jitter of RXDIP/N from 250 KHz to 5MHz

4.0 JITTER PERFORMANCE

4.1 SONET Jitter Requirements

SONET receive equipment jitter requirements are specified jitter tolerance and jitter transfer. The definitions of each of these types of jitter are given below.

4.1.1 Rx Jitter Tolerance:

OC-3/STM-1, and OC-12/STM-4 category II SONET interfaces should tolerate, the input jitter applied according to the mask of Figure 6, with the corresponding specified parameters. Jitter measurements are done with standard SONET/SDH testers such as Acterna ANT20 as well as Agilent Omniber testers.

FIGURE 5. GR-253/G.783 JITTER TOLERANCE MASK

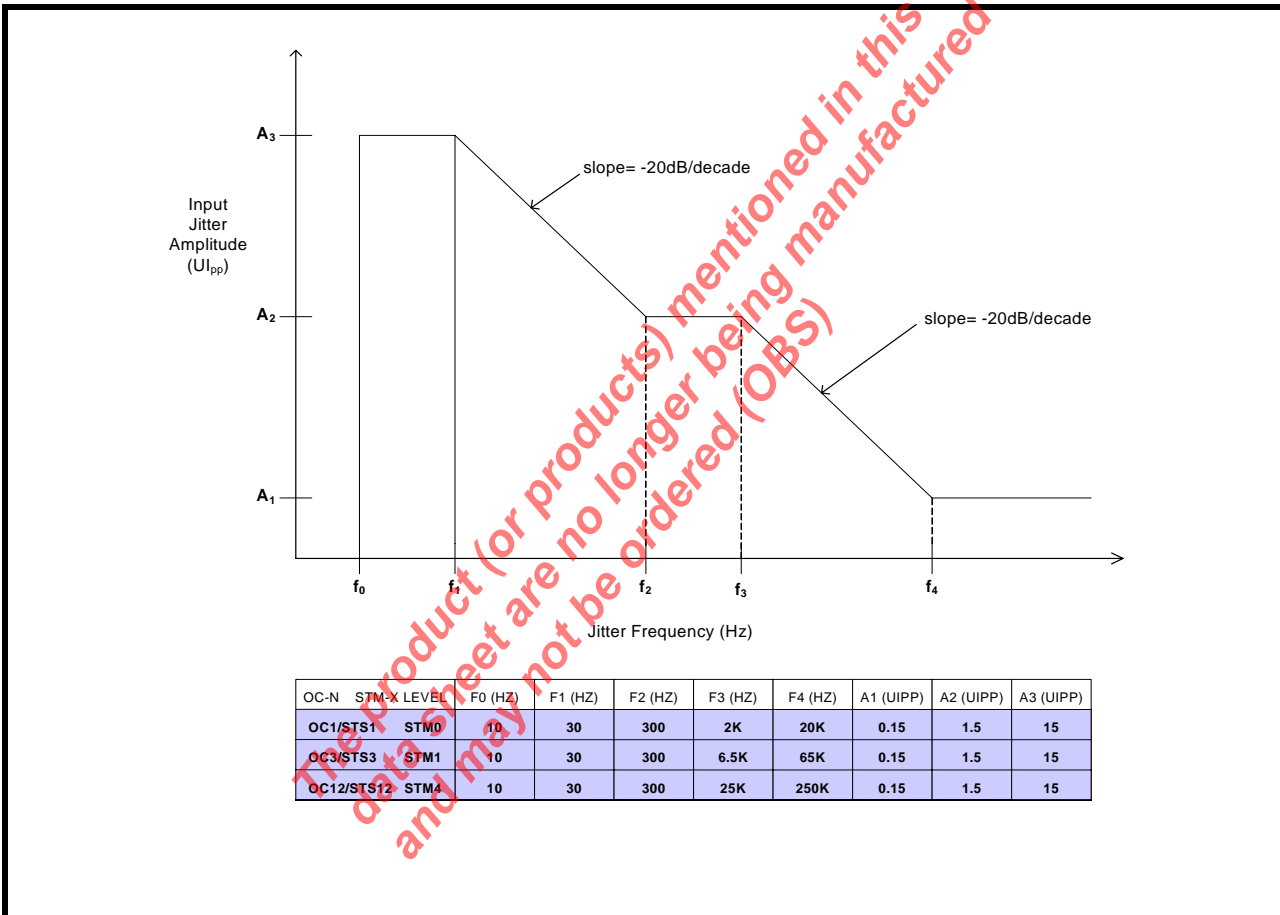


FIGURE 6. XRT91L33 JITTER TOLERANCE AT 155 MBPS OC3/STM-1

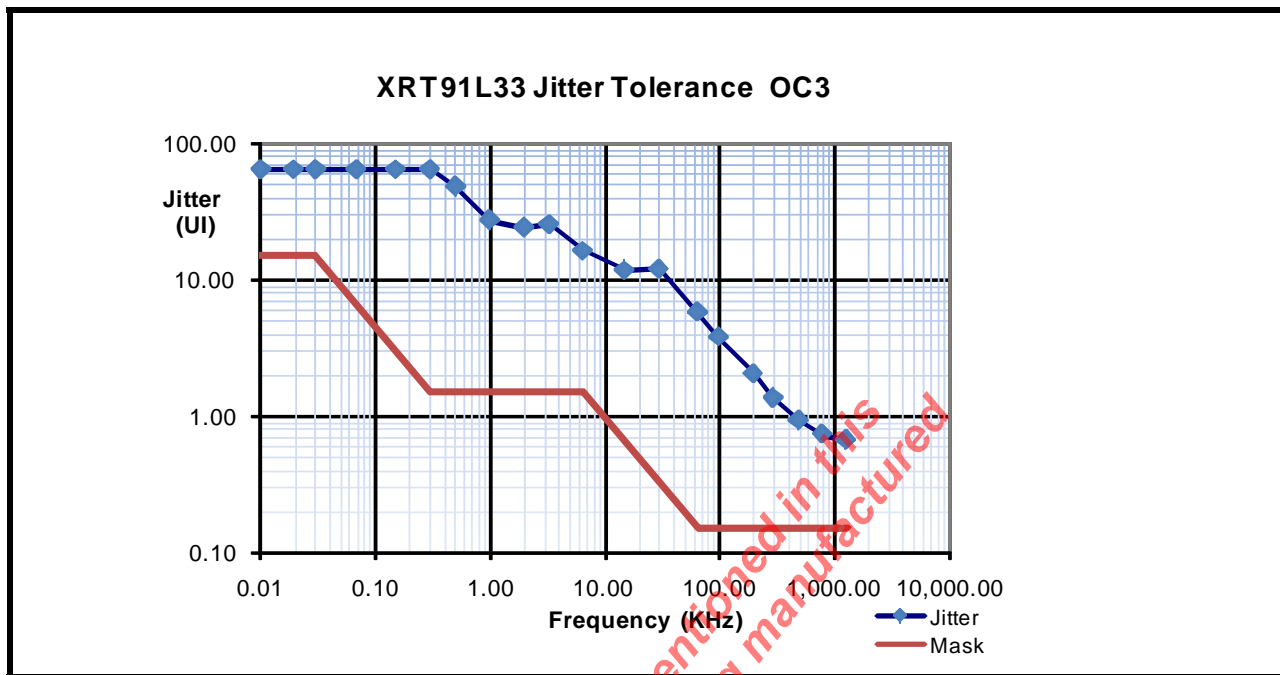
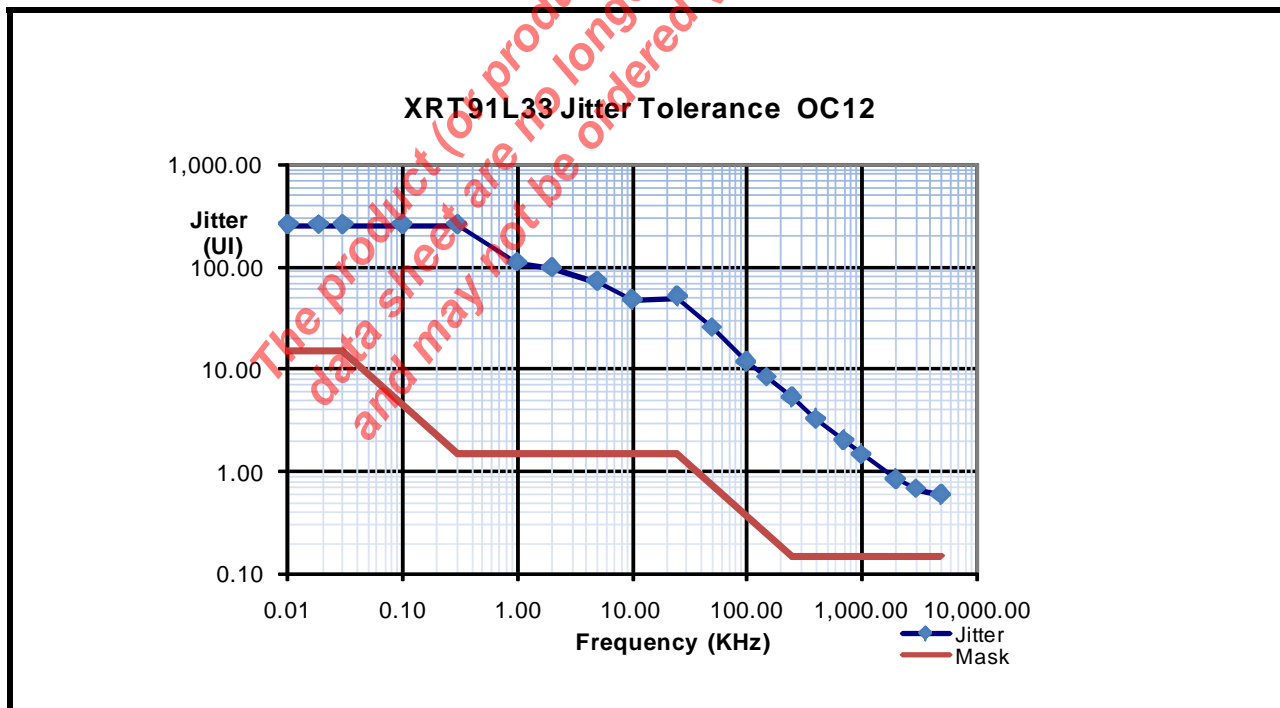


FIGURE 7. XRT91L33 JITTER TOLERANCE AT 622 MBPS OC12/STM-4



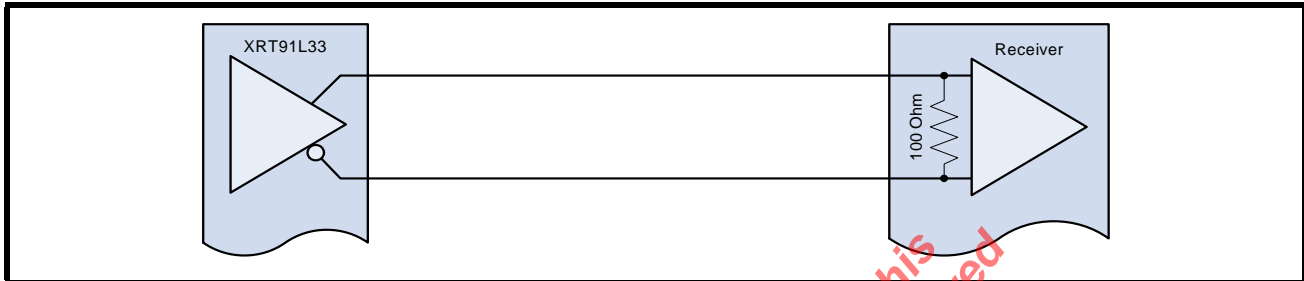
**4.1.2 Jitter Generation**

Maximum jitter generation is less than 0.01 UI rms within the SONET/SDH band, when rms jitter of less than 14 ps (OC-12) or 56 ps (OC-3) is presented to the serial data inputs.

5.0 HIGH-SPEED OUTPUTS

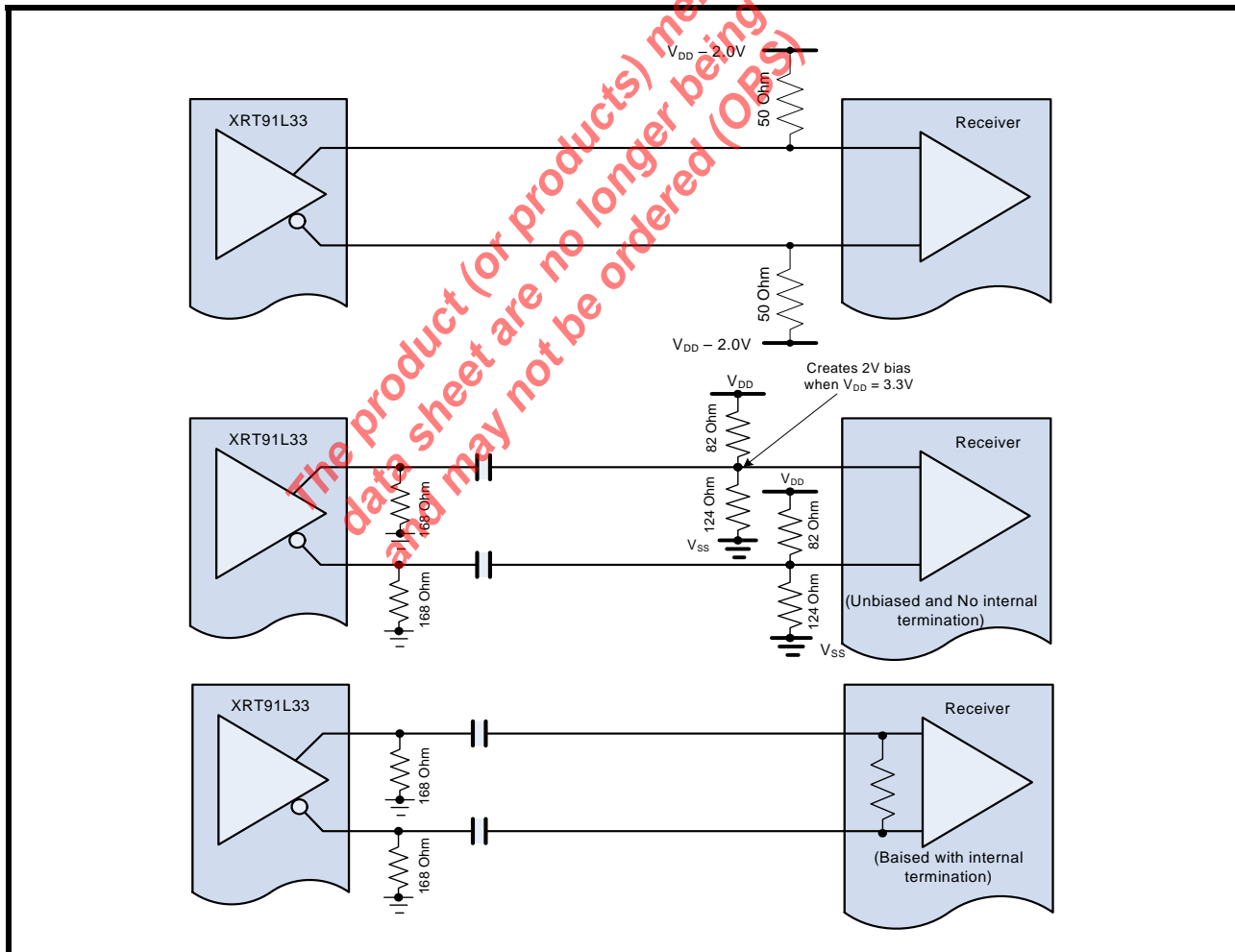
The high-speed output buffers, RXDOP/N and RXCLKOP/N can be terminated as either LVDS or LVPECL outputs. In LVDS mode, the transmission lines must be routed with 100 Ω differential impedance and terminated at the receive end with a line-to-line 100Ω resistor (See Figure 8).

FIGURE 8. HIGH SPEED OUTPUTS, LVDS TERMINATION



For LVPECL connections, the transmission line must be terminated with 50Ω pull-down resistors near the receiving end or an equivalent circuit. (See Figure 9)

FIGURE 9. HIGH-SPEED OUTPUTS, LVPECL TERMINATION OPTIONS



### 6.0 RESAMPLED DATA AND CLOCK OUTPUTS

It is recommended that the retimed data output be captured with the rising edge of the clock output as shown in **Figure 10**. Data valid time is longer for OC-3/STS-3 mode of operation than that of OC-12/STS-12. Data valid time before the output clock's rising edge is the available setup time ( $t_{SU}$ ), while the data valid time after the clock's rising edge is the available hold time ( $t_H$ ).

FIGURE 10. OUTPUT DATA AND CLOCK AFTER RESAMPLING

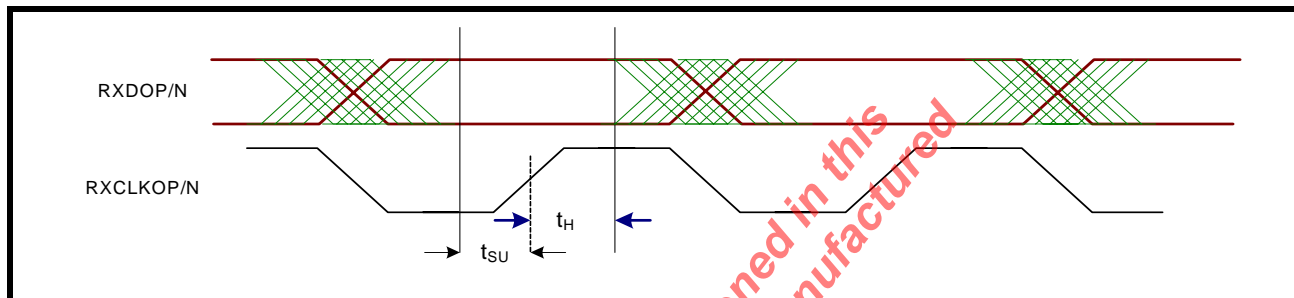


TABLE 11: OUTPUT TIMING

SYMBOL	PARAMETER	MINIMUM	MAXIMUM	UNIT	CONDITION
$t_{SU}$	Available setup time	450		ps	STS-12 operation (622.08 MHz)
		2.0		ns	STS-3 operation (155.52 MHz)
$t_H$	Available hold time	650		ps	STS-12 operation (622.08 MHz)
		3.0		ns	STS-3 operation (155.52 MHz)

The product (or product) mentioned in this data sheet are no longer being manufactured and may not be ordered (OBSOLETE)

7.0 PACKAGE DIMENSIONS

20 pin Surface mount TSSOP

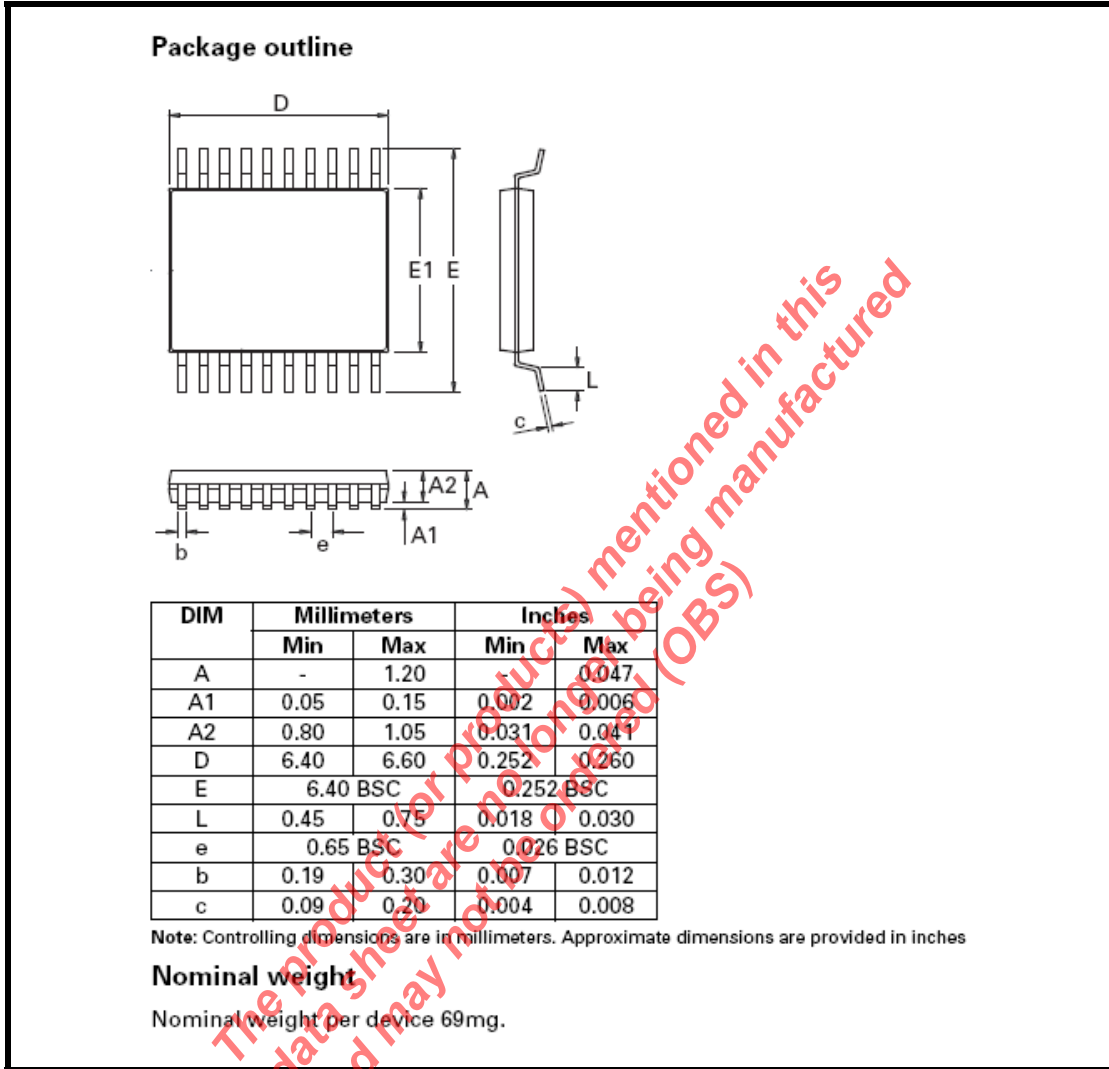


TABLE 12: REVISION HISTORY

REVISION #	DATE	DESCRIPTION
V1.0.0	Aug 2008	Product Release Datasheet