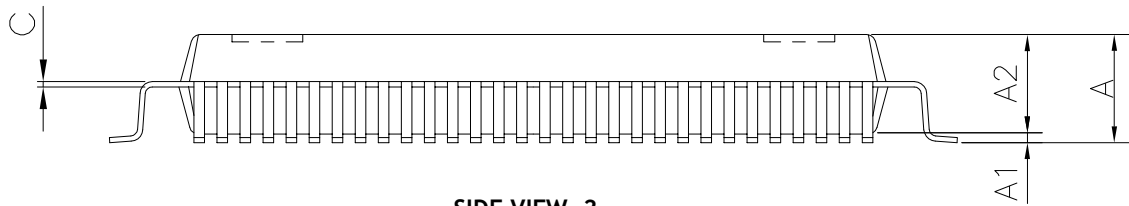
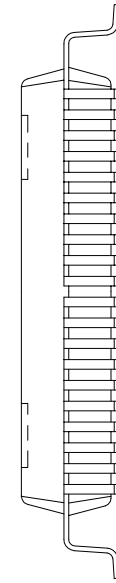
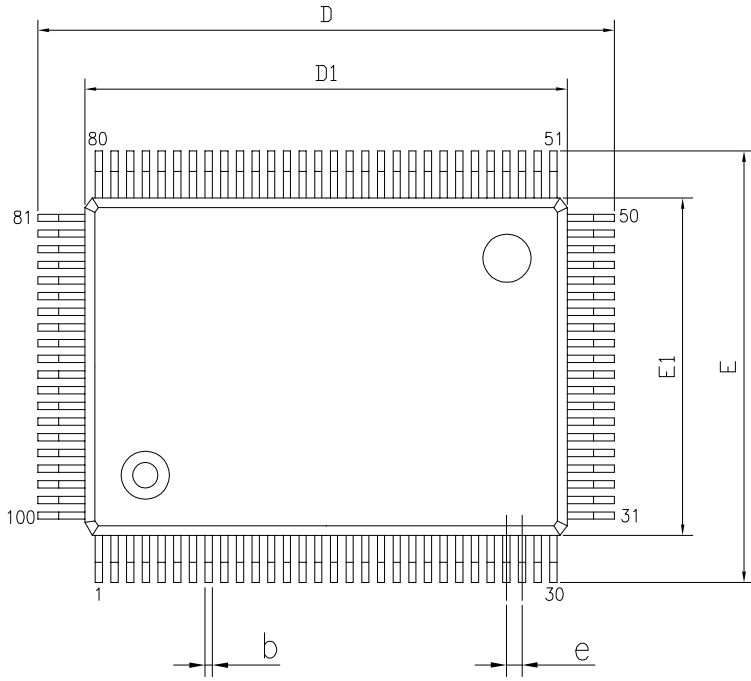


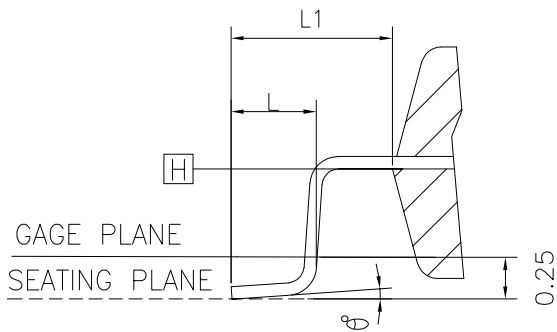
Revision History

REV.	Description	Date	APP'D
A	DRAWING ORIGATION	AUG/23/2018	ECN 1837-03 <i>jh</i>




DIM SYMBOL	MIN	NOM	MAX
A	-	-	3.40
A1	0.25	-	0.50
A2	2.55	2.80	3.05
b	0.22	0.30	0.38
c	0.11	0.15	0.23
D	23.90 BSC		
D1	20.00 BSC		
E	17.90 BSC		
E1	14.00 BSC		
e	0.65 BSC		
L	0.65	0.80	0.95
L1	-	1.95	-
θ	0	-	7
N	100		

TERMINAL DETAILS



- ALL DIMENSIONS ARE IN MILLIMETERS, ANGLES ARE IN DEGREES.
- DIMENSIONS AND TOLERANCE PER JEDEC MQ-112, CC-1

	MAXLINEAR CORPORATION	
	MQFP 100LD 14X20 Package Outline Drawing	
Packaging Approval:		Drawing No.: POD-000000 143
By: YG Eom	Date: AUG.23.2018	Revision: A
Sheet 1 OF 1		