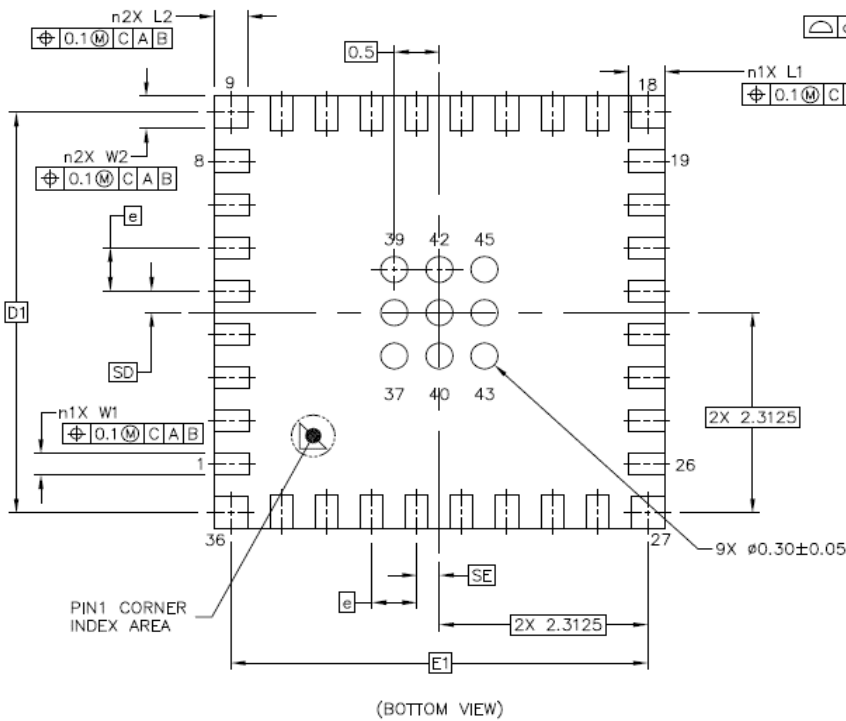
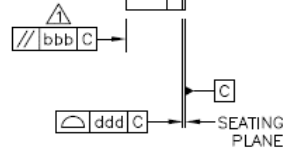
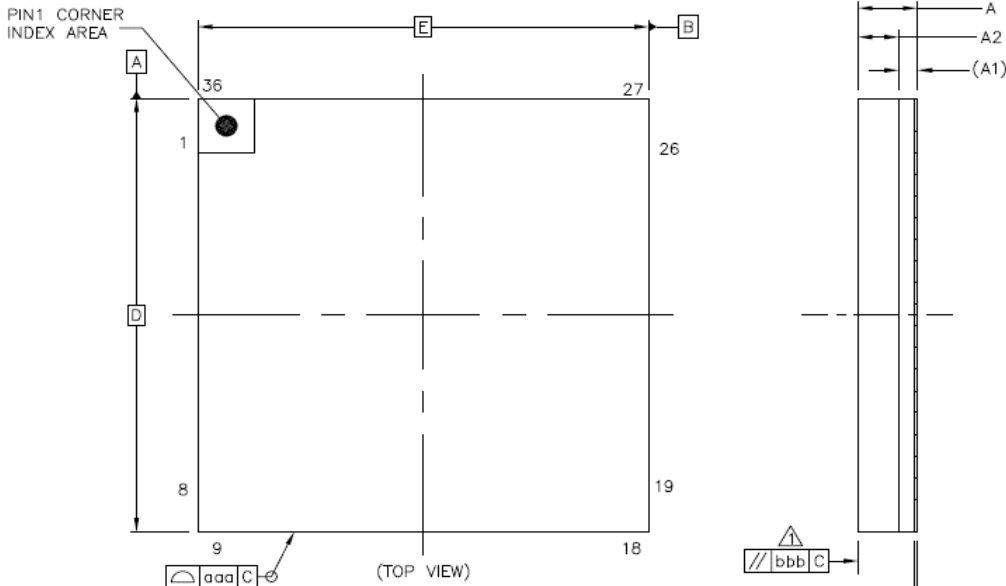


### Revision History

REV	Description	Date	APP'D
A	<b>ECN 1540-21</b>	<b>1-Oct-15</b>	<b>J. Hoshi</b>



	SYMBOL	COMMON DIMENSIONS		
		MIN.	NOR.	MAX.
TOTAL THICKNESS	A	---	---	0.8
SUBSTRATE THICKNESS	A1	0.21		REF
MOLD THICKNESS	A2	0.45		REF
BODY SIZE	D	5		BSC
	E	5		BSC
LEAD WIDTH	W1	0.2	0.25	0.3
	W2	0.325	0.375	0.425
LEAD LENGTH	L1	0.35	0.4	0.45
	L2	0.325	0.375	0.425
LEAD PITCH	e	0.5		BSC
LEAD COUNT	n1	32		
	n2	4		
EDGE BALL CENTER TO CENTER	D1	4.625		BSC
	E1	4.625		BSC
BODY CENTER TO CONTACT BALL	SD	0.25		BSC
	SE	0.25		BSC
BALL WIDTH	b	---	---	---
BALL DIAMETER		---		
BALL OPENING		---		
BALL PITCH	e1	---		
BALL COUNT	n	---		
PRE-SOLDER		---	---	---
PACKAGE EDGE TOLERANCE	aaa	0.1		
MOLD FLATNESS	bbb	0.1		
COPLANARITY	ddd	0.08		
BALL OFFSET (PACKAGE)	eee	---		
BALL OFFSET (BALL)	fff	---		

All dimensions are in mm and angles in degrees

	<b>EXAR CORPORATION</b>		
	45 LD 5X5X0.8mm LGA 0.5mm PITCH		
Packaging Approval:	Drawing No.	POD - 00000060	
By: Anselm	Date: 01-Oct-2015	Revision: A	Sheet: 1 OF 1