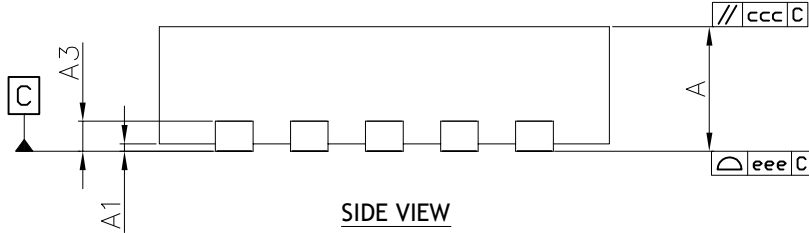
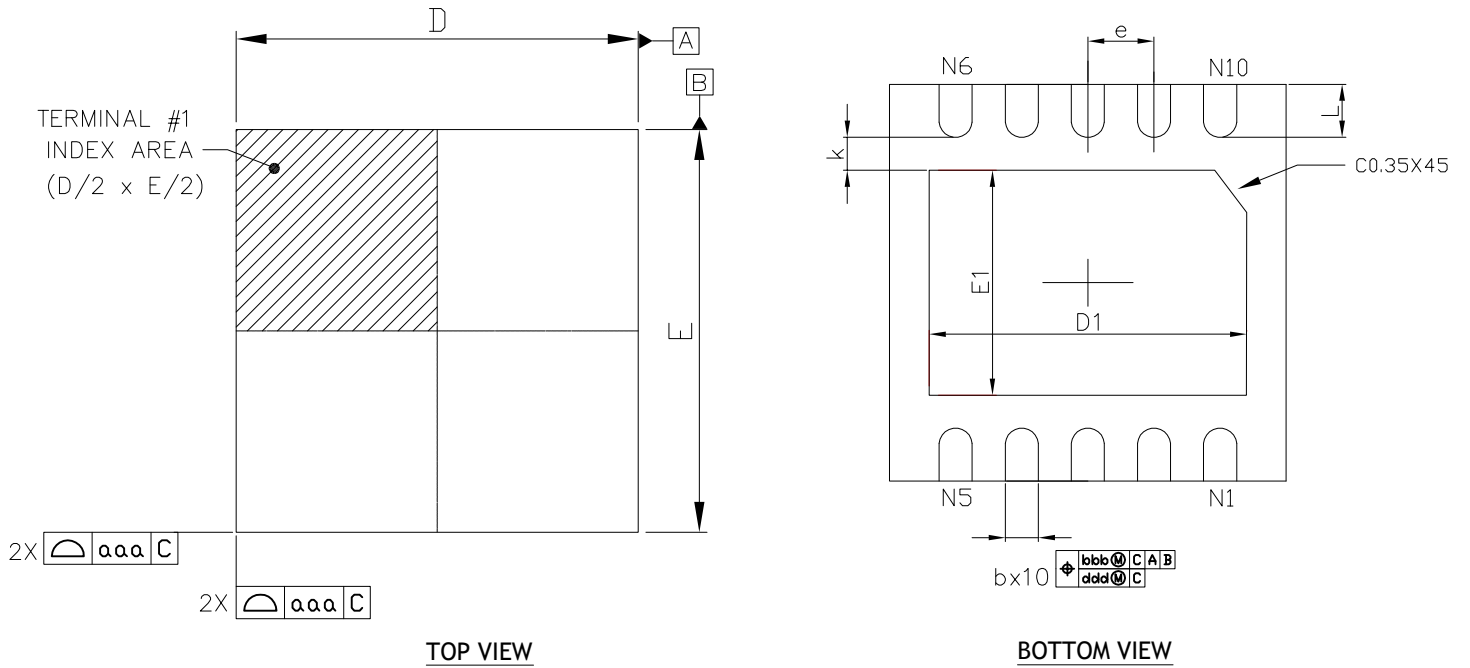


Revision History

REV.	Description	Date	APP'D
A	DRAWING ORIGATION	MAR/27/2018	ECN 1813-10 jh



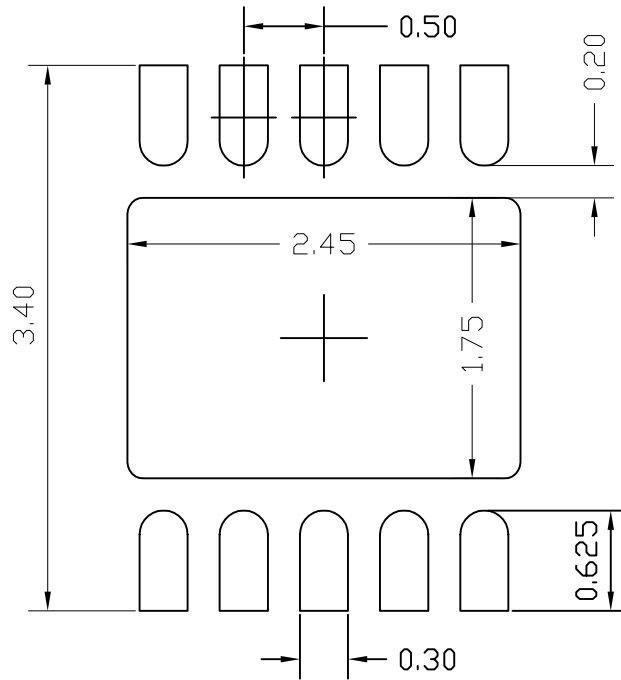
DIM SYMBOL	MIN	NOM	MAX
A	0.70	0.75	0.80
A1	0.00	0.02	0.05
A3	0.203Ref		
b	0.20	0.25	0.30
D	3.00 BSC		
E	3.00 BSC		
e	0.50 BSC		
D1	2.20	2.30	2.40
E1	1.50	1.60	1.70
L	0.30	0.40	0.50
K	0.20	—	—
aaa		0.10	
bbb		0.10	
ccc		0.10	
ddd		0.05	
eee		0.08	
N		10	

TERMINAL DETAILS

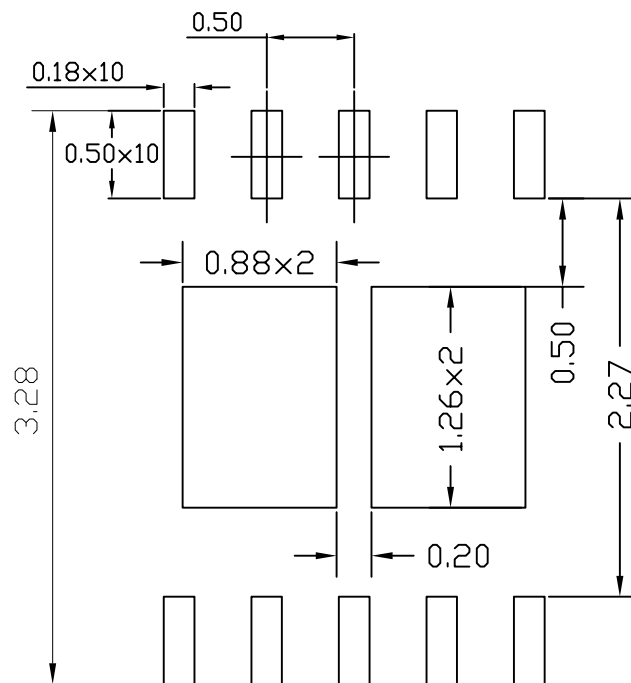
- ALL DIMENSIONS ARE IN MILLIMETERS.
- DIMENSIONS AND TOLERANCE PER JEDEC MO-220.

	MAXLINEAR CORPORATION	
	10LD 3x3mm TDFN (option 2) Package Outline Drawing	
Packaging Approval:	Drawing No.: POD- 00000135	Sheet 1 OF 2
By: YG Eom Date: MAR.27.2018	Revision: A	


Revision History			
REV.	Description	Date	APP'D
A	DRAWING ORIGATION	MAR/27/2018	ECN 1813-10 jh



TYPICAL RECOMMENDED LAND PATTERN



TYPICAL RECOMMENDED STENCIL

		MAXLINEAR CORPORATION	
		10LD 3x3mm TDFN (option 2) Package Outline Drawing	
Packaging Approval:		Drawing No.: POD- 00000135	
By: YG Eom	Date: MAR.27.2018	Revision: A	Sheet 2 OF 2