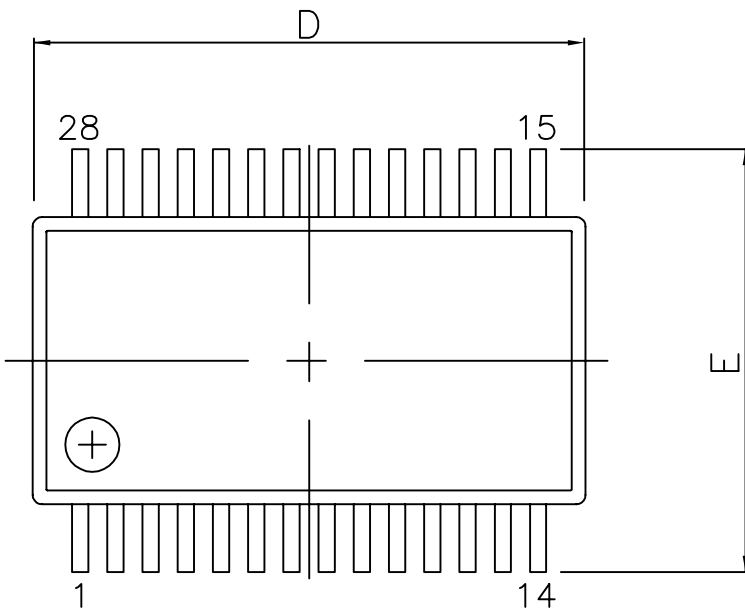
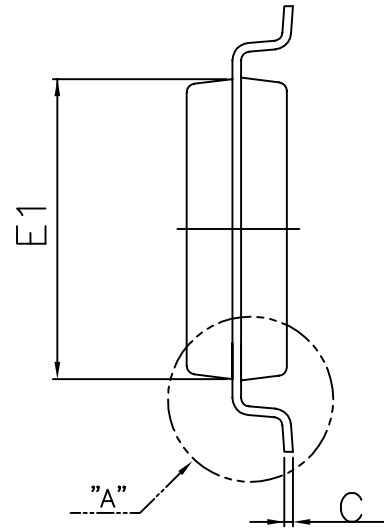


Revision History

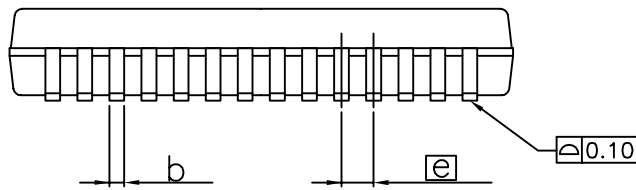
REV.	Description	Date	APP'D
A	DRAWING ORIGATION	JAN/11/2018	ECN 1809-04 jh



TOP VIEW



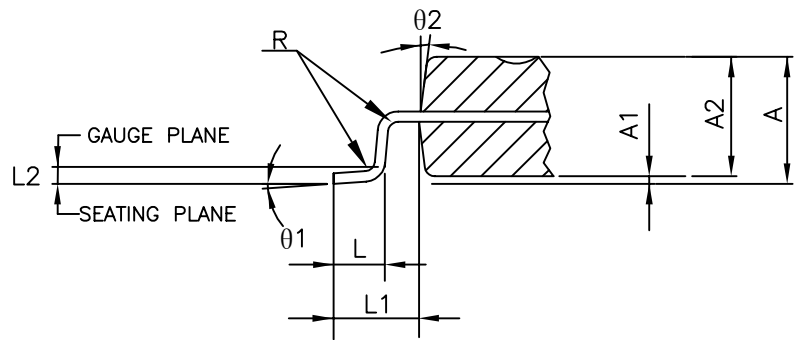
SIDE VIEW 1



SIDE VIEW 2

DIM SYMBOL	MIN	NOM	MAX
A	-	-	1.20
A1	0.05	-	0.15
A2	0.80	1.00	1.05
b	0.19	-	0.30
L1	1.00 REF		
L2	0.25 BSC		
e	0.65 BSC		
c	0.09	-	0.20
E	6.40 BSC		
E1	4.30	4.40	4.50
L	0.45	0.60	0.75
R	0.09	-	-
D	9.60	9.70	9.80
θ1	0	4	8
θ2	12 REF		
N	28		

TERMINAL DETAILS



DETAIL A

- ALL DIMENSIONS ARE IN MILLIMETERS, ANGLES ARE IN DEGREES.
- DIMENSIONS AND TOLERANCE PER JEDEC MO-153.



MAXLINEAR CORPORATION

28TSSOP Package Outline Drawing

Packaging Approval:

Drawing No.: POD-000000 134

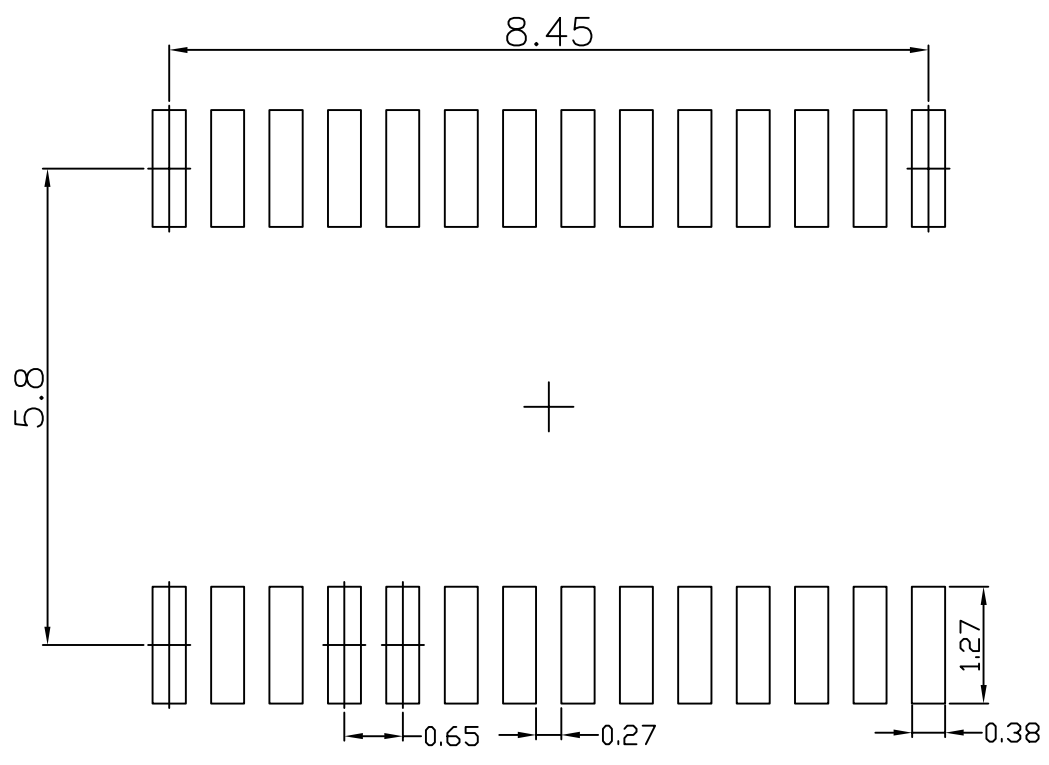
By: YG Eom

Date: JAN.11.2018

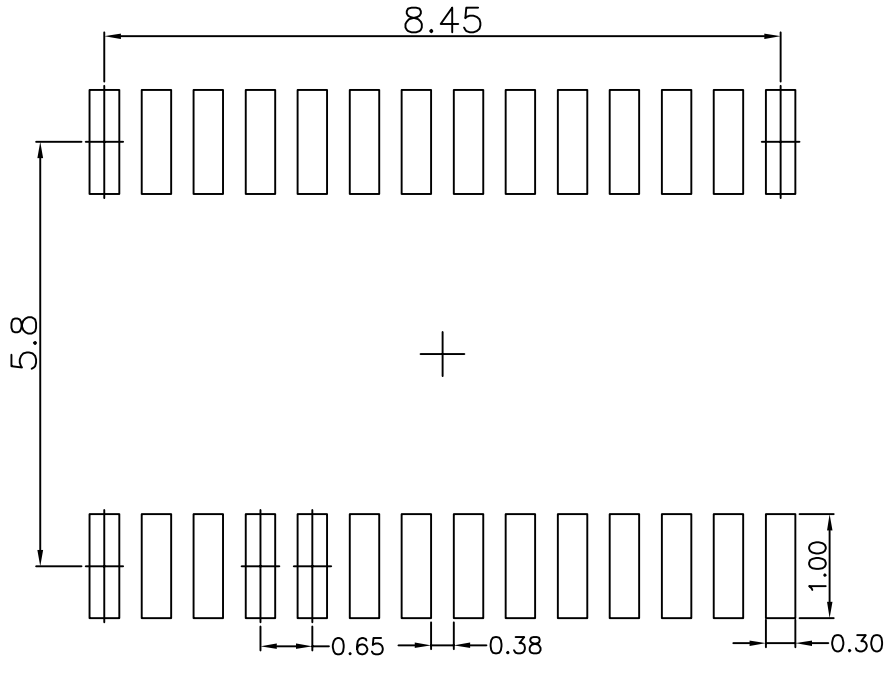
Revision: A

Sheet 1 OF 2


Revision History			
REV.	Description	Date	APP'D
A	DRAWING ORIGATION	JAN/11/2018	ECN 1809-04 jh



TYPICAL RECOMMENDED LAND PATTERN



TYPICAL RECOMMENDED STENCIL

		MAXLINEAR CORPORATION	
		28TSSOP Package Outline Drawing	
Packaging Approval:		Drawing No.: POD-000000 134	Sheet 2 OF 2
By: YG Eom	Date: JAN.11.2018	Revision: A	