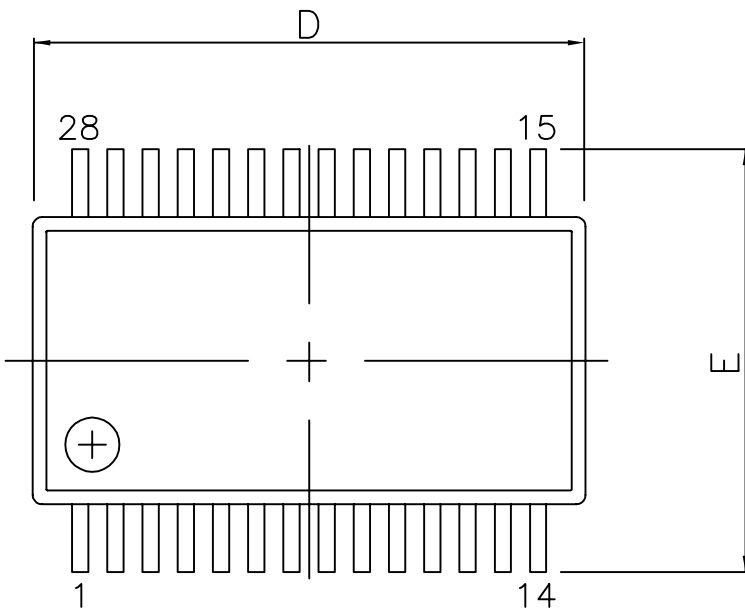
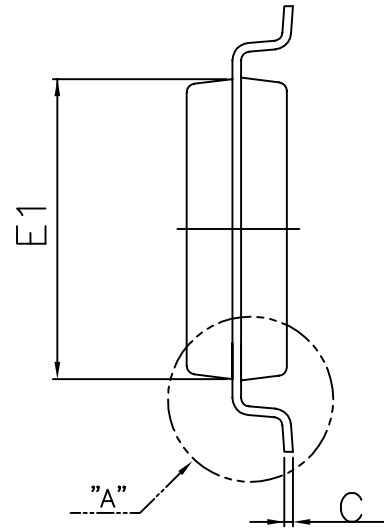


Revision History

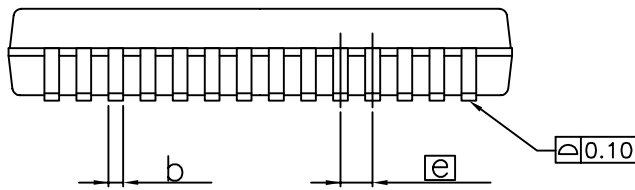
REV.	Description	Date	APP'D
A	DRAWING ORIGATION	JAN/10/2018	ECN 1808-09 jh



TOP VIEW



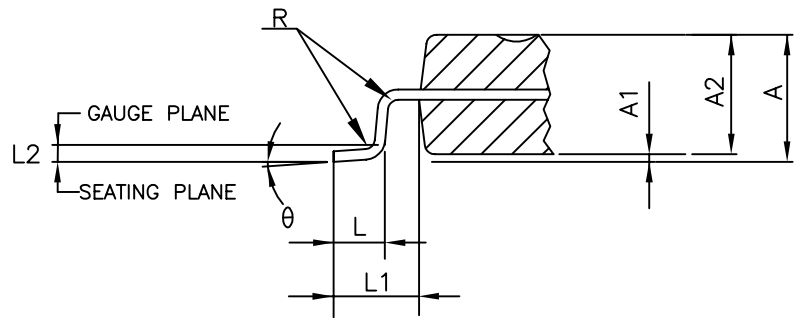
SIDE VIEW 1



SIDE VIEW 2

DIM SYMBOL	MIN	NOM	MAX
A	-	-	2.00
A1	0.05	-	-
A2	1.65	1.75	1.85
b	0.22	-	0.38
L1	1.25 REF		
L2	0.25 BSC		
e	0.65 BSC		
c	0.09	-	0.25
E	7.40	7.80	8.20
E1	5.00	5.30	5.60
L	0.55	0.75	0.95
R	0.09	-	-
θ	0	4	8
D	9.90	10.20	10.50
N	28		

TERMINAL DETAILS

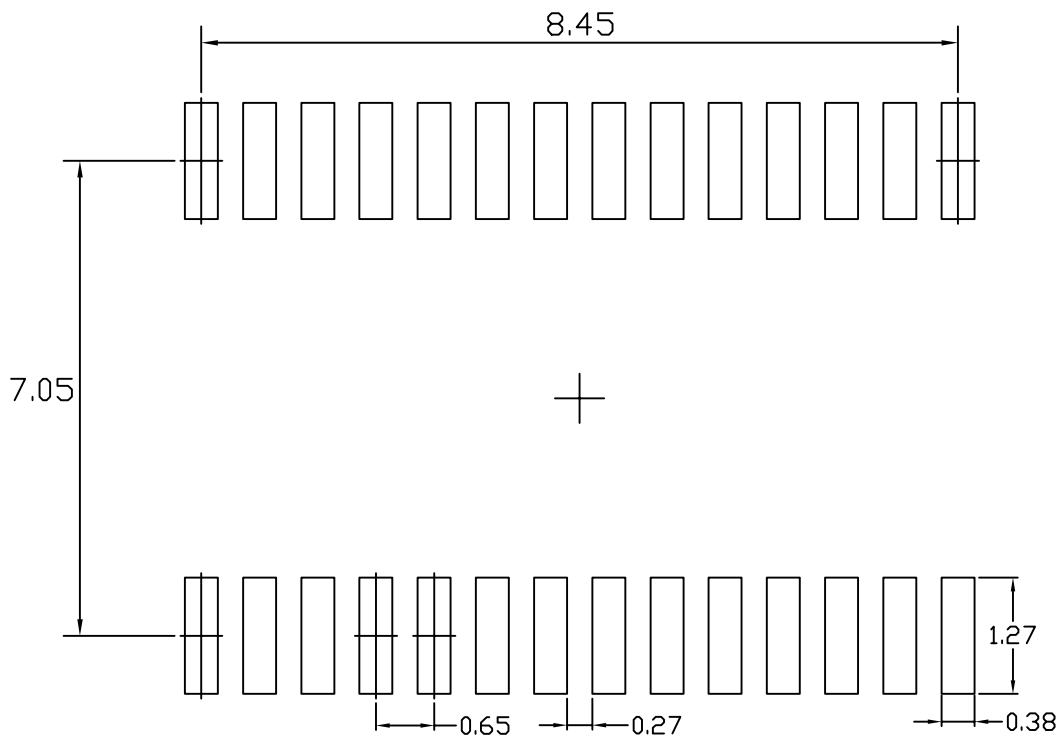


DETAIL A

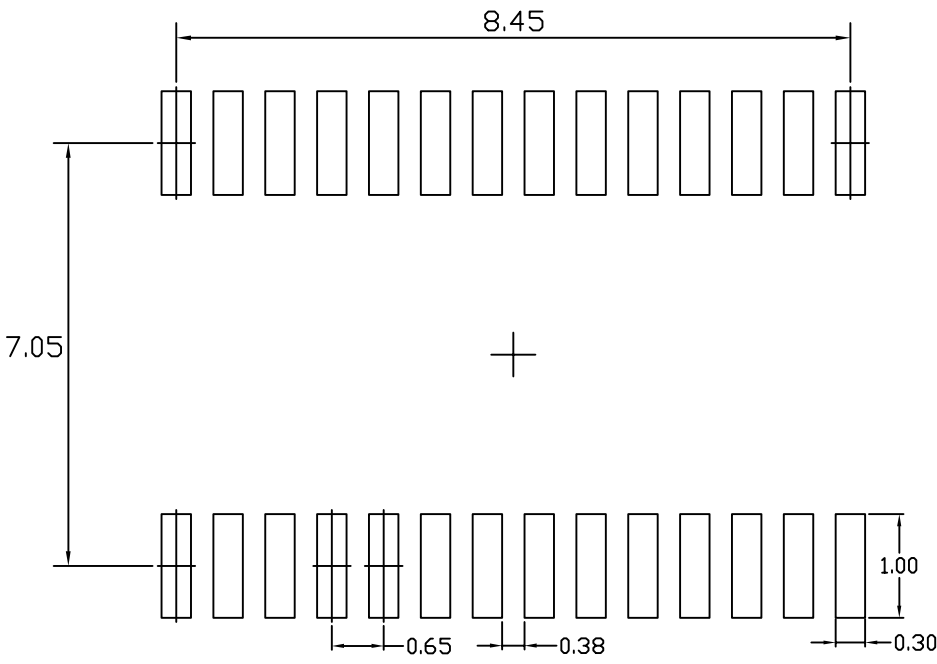
- ALL DIMENSIONS ARE IN MILLIMETERS, ANGLES ARE IN DEGREES.
- DIMENSIONS AND TOLERANCE PER JEDEC MO-150 AH.

	MAXLINEAR CORPORATION	
	28SSOP Package Outline Drawing	
Packaging Approval:	Drawing No.: POD-000000 133	Sheet 1 OF 2
By: YG Eom Date: JAN.10.2018	Revision: A	


Revision History			
REV.	Description	Date	APP'D
A	DRAWING ORIGATION	JAN/10/2018	ECN 1808-09 jh



TYPICAL RECOMMENDED LAND PATTERN



TYPICAL RECOMMENDED STENCIL

		MAXLINEAR CORPORATION	
		28SSOP Package Outline Drawing	
Packaging Approval:		Drawing No.: POD-000000 133	Sheet 2 OF 2
By: YG Eom	Date: JAN.10.2018	Revision: A	