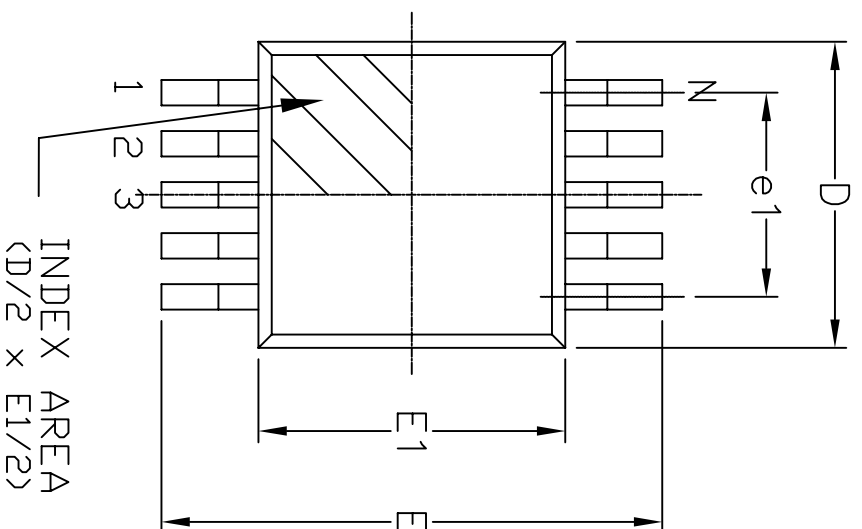
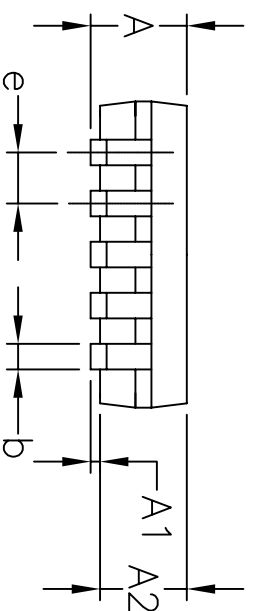


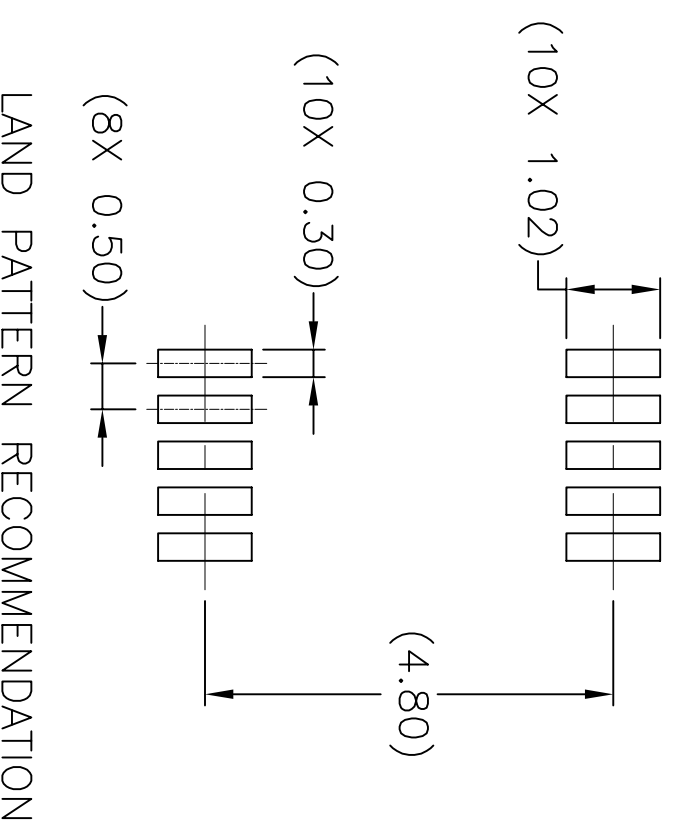
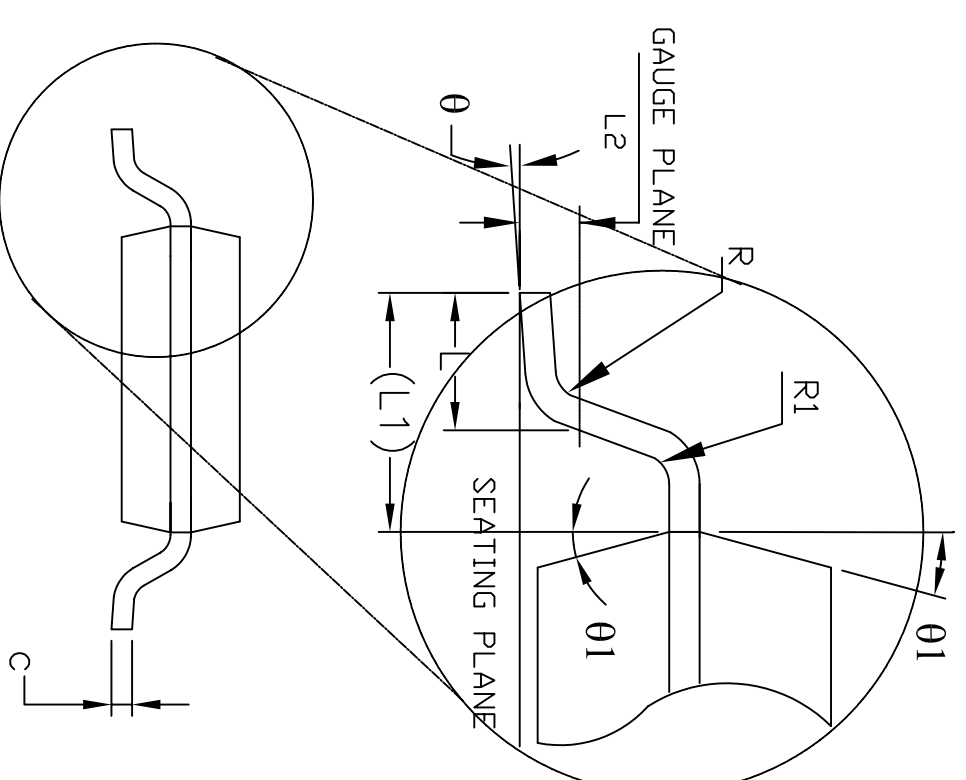
Top View



Side View



Front View



REVISION HISTORY			
REV.	DISCRIPTION	DATE	APP'D
A	DRAWING ORIGINATION	08/09/05	JL
B	DRAWING FORMAT MODIFICATION	07/19/06	JL
C	ADD LAND PATTERN RECOMMENDATION	01/16/07	JL
D	CHANGE DRAWING LOGO AND COMPANY NAME	11/21/07	JL

10 Pin MSOP JEDEC MO-187 Variation BA							
SYMBOLS	DIMENSIONS IN MM (Control Unit)			DIMENSIONS IN INCH (Reference Unit)			
	MIN	NOM	MAX	MIN	NOM	MAX	
A	—	—	1.10	—	—	0.043	
A1	0.00	—	0.15	0.000	—	0.006	
A2	0.75	0.85	0.95	0.030	0.033	0.037	
b	0.17	—	0.33	0.007	—	0.013	
c	0.08	—	0.23	0.003	—	0.009	
E	—	4.90 BSC	—	—	0.193 BSC	—	
E1	—	3.00 BSC	—	—	0.118 BSC	—	
e	—	0.50 BSC	—	—	0.020 BSC	—	
e1	—	2.00 BSC	—	—	0.079 BSC	—	
L	0.40	0.60	0.80	0.016	0.024	0.031	
L1	—	0.95 REF	—	—	0.037 REF	—	
L2	—	0.25 BSC	—	—	0.010 BSC	—	
R	0.07	—	—	0.003	—	—	
R1	0.07	—	—	0.003	—	—	
theta	0°	—	8°	0°	—	8°	
theta1	5°	—	15°	5°	—	15°	
D	—	3.00 BSC	—	—	0.118 BSC	—	
N	—	10	—	—	10	—	

		EXAR CORPORATION	
Packaging Approval:		Drawing No: 10-PIN MSOP	
By: JL	Date: 11/21/07	Revision: D	Sheet: 1 OF 1