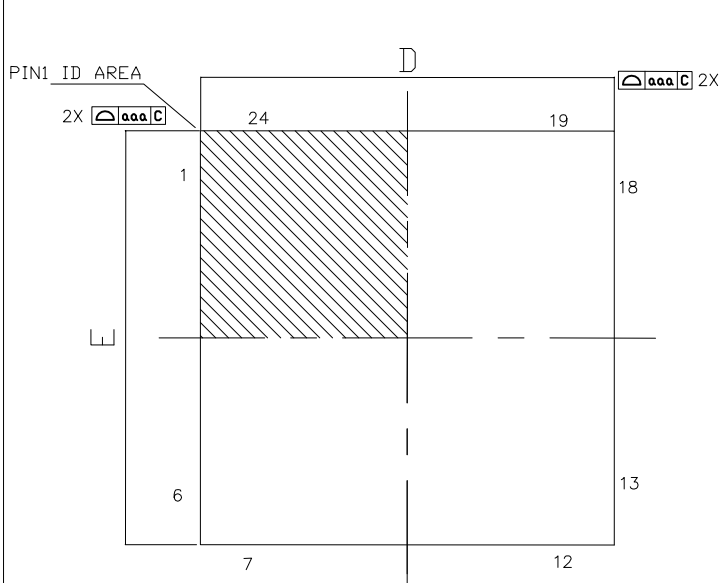
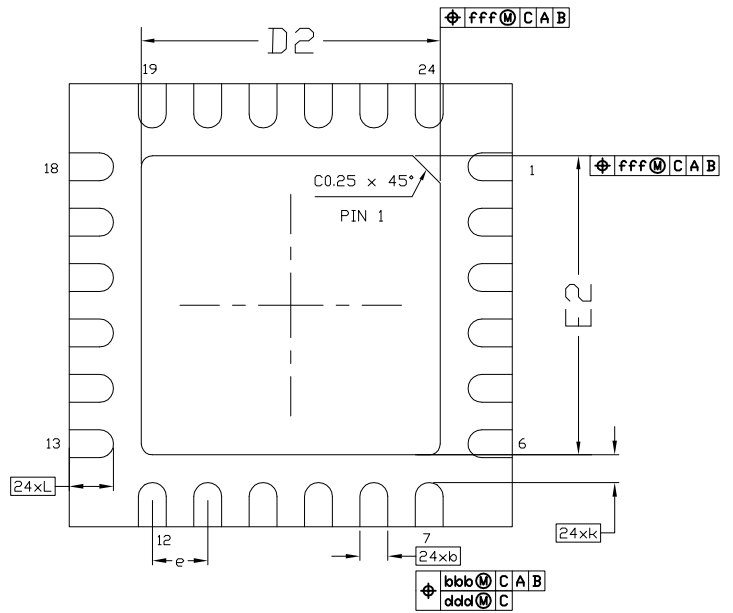


Revision History

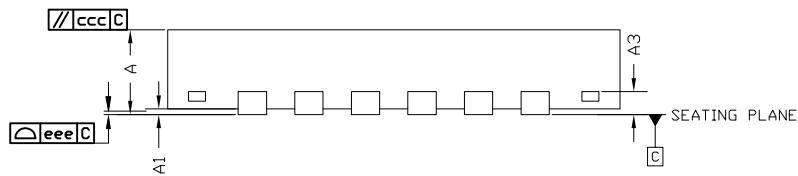
REV.	Description	Date	APP'D
B	TO CHANGE B FROM 0.2 TO 0.18	JULY/06/2018	ECN 1829-05 jh



TOP VIEW



BOTTOM VIEW



SIDE VIEW

DIM SYMBOL	MIN	NOM	MAX
A	0.80	0.90	1.00
A1	0.00	0.02	0.05
A3	---	0.20Ref	---
b	0.18	0.25	0.30
D	4.00 BSC		
E	4.00 BSC		
e	0.50 BSC		
D2	2.50	2.65	2.80
E2	2.50	2.65	2.80
L	0.35	0.40	0.45
K	0.20	-	-
aaa		0.15	
bbb		0.10	
ccc		0.10	
ddd		0.05	
eee		0.08	
fff		0.10	
N		24	

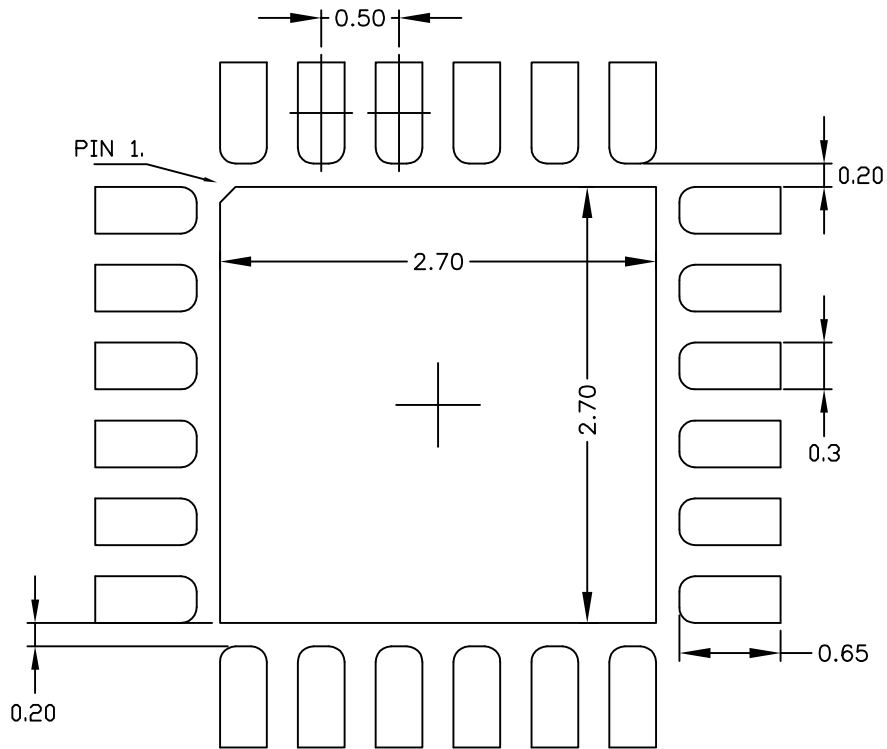
TERMINAL DETAILS

- ALL DIMENSIONS ARE IN MILLIMETERS, ANGLES ARE IN DEGREES.
- DIMENSIONS AND TOLERANCE PER JEDEC MO-220.

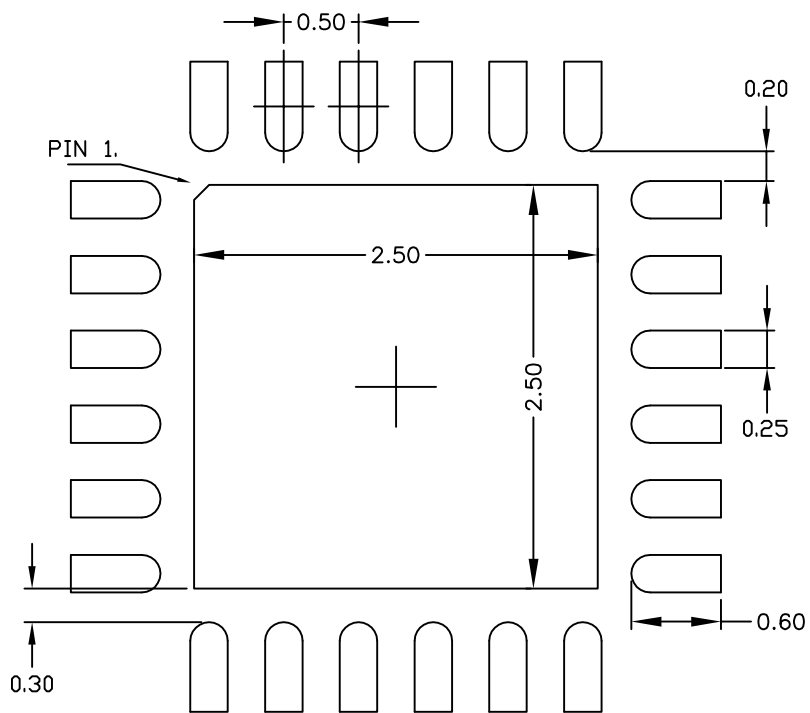
	MAXLINEAR CORPORATION	
	24LD 4x4 QFN Package Outline Drawing (Option 1)	
Packaging Approval:	Drawing No.: POD-00000130	Sheet 1 OF 2
By: YG Eom Date: JULY.06.2018	Revision: B	

Revision History

REV.	Description	Date	APP'D
B	TO CHANGE B FROM 0.2 TO 0.18	JULY/06/2018	ECN 1829-05 jh



TYPICAL RECOMMENDED LAND PATTERN



TYPICAL RECOMMENDED STENCIL



MAXLINEAR CORPORATION

24LD 4x4 QFN Package Outline Drawing (Option 1)

Packaging Approval:

Drawing No.: POD-0000130

By: YG Eom

Date: JULY.06.2018

Revision: B

Sheet 2 OF 2