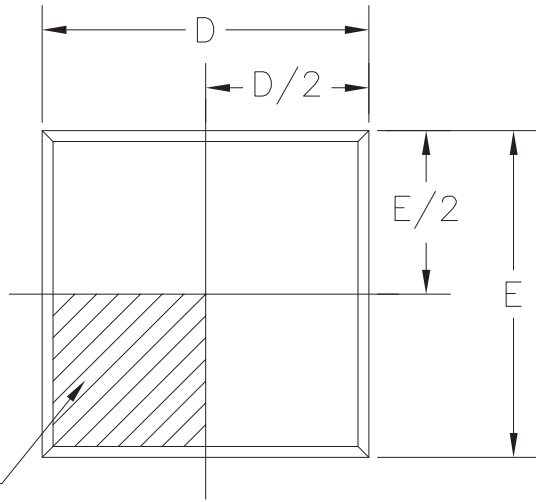


FOR REFERENCE ONLY

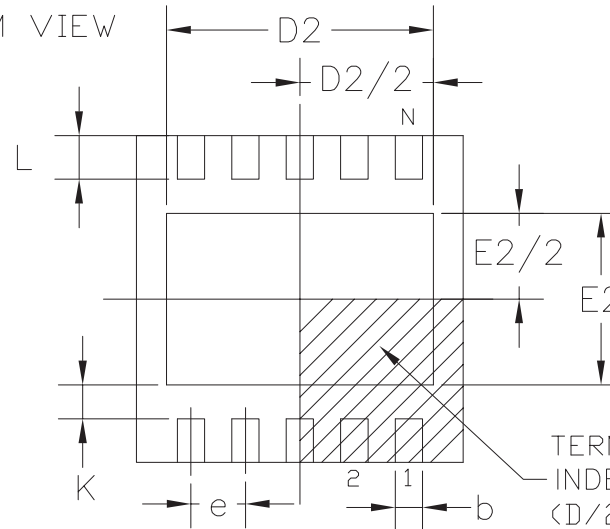
REVISION HISTORY			
REV.	DESCRIPTION	DATE	APP'D
A	DRAWING ORIGINATION	12/17/13	AD

TOP VIEW



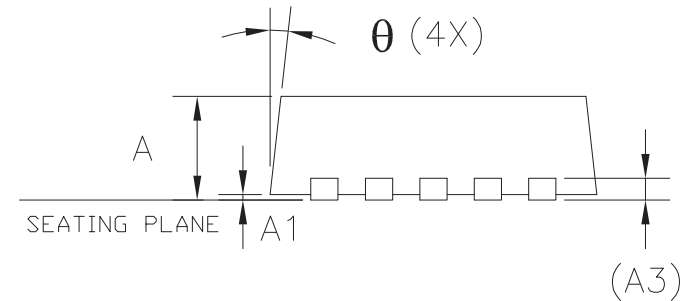
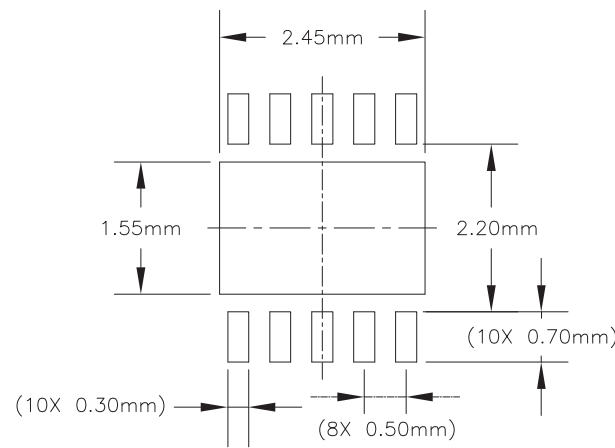
TERMINAL #1
INDEX AREA
(D/2 X E/2)

BOTTOM VIEW



TERMINAL #1
INDEX AREA
(D/2 X E/2)

Recommended PCB Land Pattern



SIDE VIEW

10LD 3x3 DFN (OPTION 1) JEDEC MO-229 Variation VEED-5

SYMBOLS	DIMENSIONS IN MM (Control Unit)			DIMENSIONS IN INCH (Reference Unit)		
	MIN	NOM	MAX	MIN	NOM	MAX
A	0.80	0.90	1.00	0.032	0.036	0.039
A1	0.00	0.02	0.05	0.000	0.001	0.002
A3	0.20 REF			0.008 REF		
b	0.18	0.25	0.30	0.007	0.010	0.012
D	3.00 BSC			0.118 BSC		
D2	2.20	—	2.70	0.087	—	0.106
E	3.00 BSC			0.118 BSC		
E2	1.40	—	1.75	0.056	—	0.069
e	0.50 BSC			0.020 BSC		
L	0.30	0.40	0.50	0.012	0.016	0.020
K	0.20	—	—	0.008	—	—
q	0°	—	14°	0°	—	14°
N	10			10		
ND	5			5		



EXAR CORPORATION

10 PIN 3x3 (OPTION 1) DFN PACKAGE OUTLINE

Packaging Approval:

Drawing No: POD-0000047

By: AD

Date: 12/17/13

Revision: A

Sheet: 1 OF 1