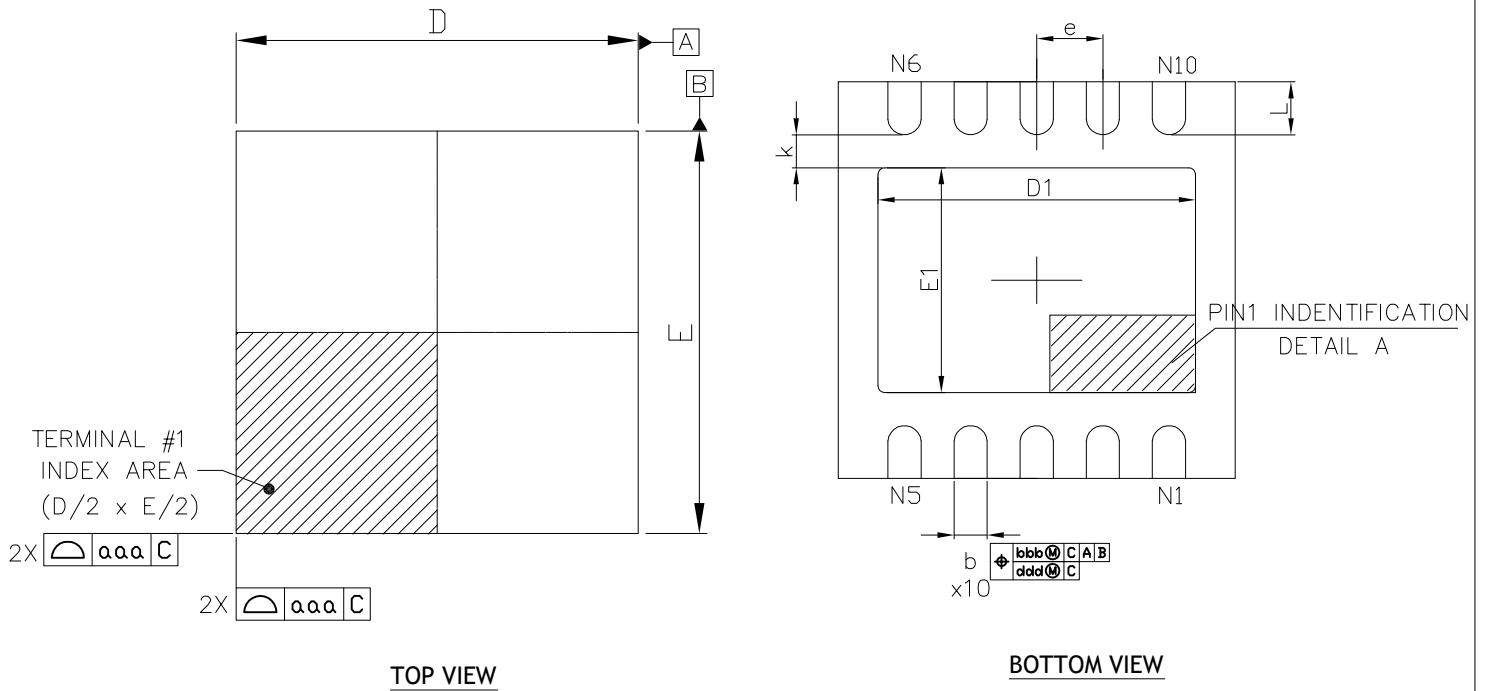


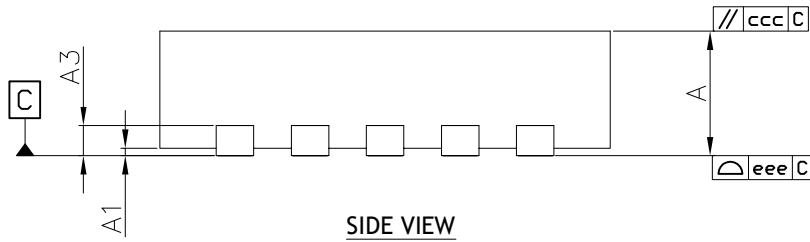
Revision History

REV.	Description	Date	APP'D
A	DRAWING ORIGATION	JULY/06/2018	ECN 1829-03 jh



TOP VIEW

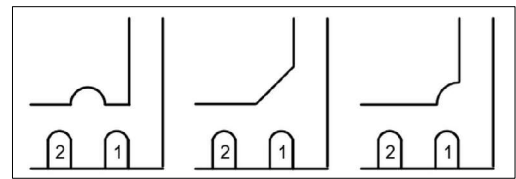
BOTTOM VIEW



SIDE VIEW

DIM SYMBOL	MIN	NOM	MAX
A	0.70	0.75	0.80
A1	0.00	0.02	0.05
A3	0.203Ref		
b	0.20	0.25	0.30
D	3.00 BSC		
E	3.00 BSC		
e	0.50 BSC		
D1	2.30	2.40	2.50
E1	1.50	1.65	1.80
L	0.25	0.40	0.55
K	0.20	-	-
aaa		0.10	
bbb		0.10	
ccc		0.10	
ddd		0.05	
eee		0.08	
N		10	

TERMINAL DETAILS

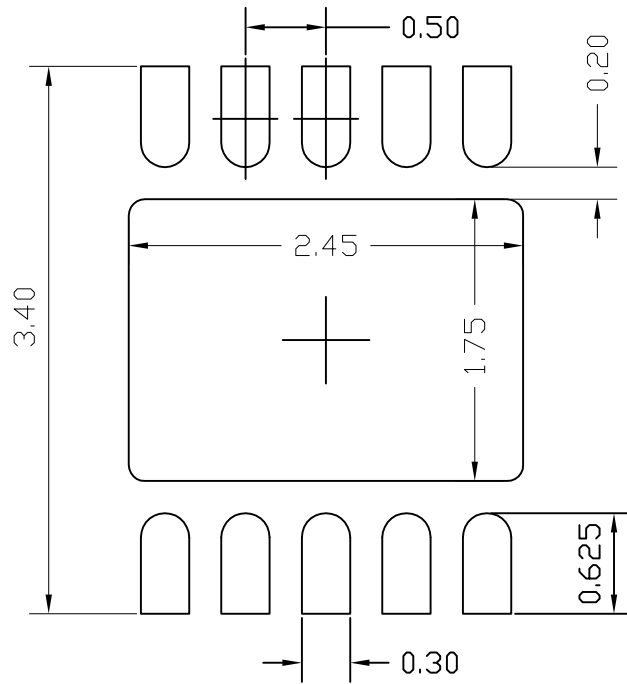


DETAIL A (PIN 1 SHAPE OPTION)

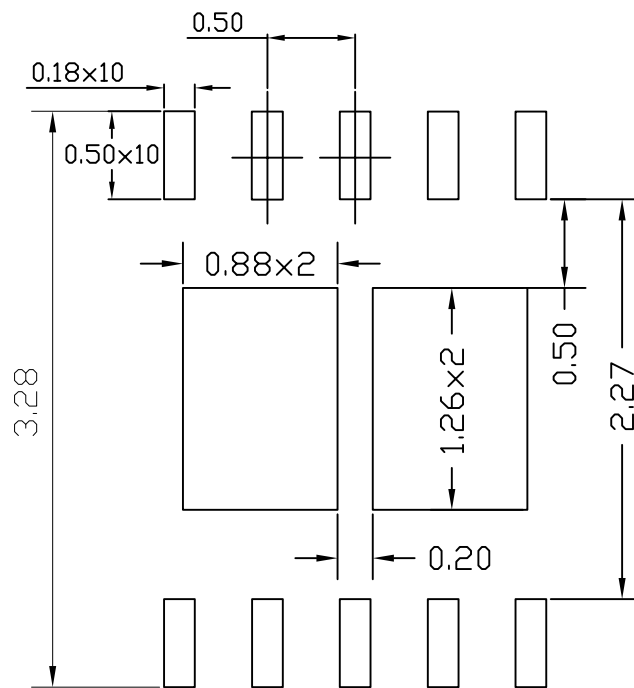
- ALL DIMENSIONS ARE IN MILLIMETERS.
- DIMENSIONS AND TOLERANCE PER JEDEC MO-220.

	<b>MAXLINEAR CORPORATION</b>	
	10LD 3x3mm TDFN (Option 1) Package Outline Drawing	
Packaging Approval:		Drawing No.: POD-00000141
By: YG Eom	Date: JULY.06.2018	Revision: A
		Sheet 1 OF 2


Revision History			
REV.	Description	Date	APP'D
A	DRAWING ORIGATION	JULY/06/2018	ECN 1829-03 jh



TYPICAL RECOMMENDED LAND PATTERN



TYPICAL RECOMMENDED STENCIL

		<b>MAXLINEAR CORPORATION</b>	
		10LD 3x3 TDFN (Option 1) Package Outline Drawing	
Packaging Approval:		Drawing No.: POD-00000141	Sheet 2 OF 2
By: YG Eom	Date: JULY.06.2018	Revision: A	