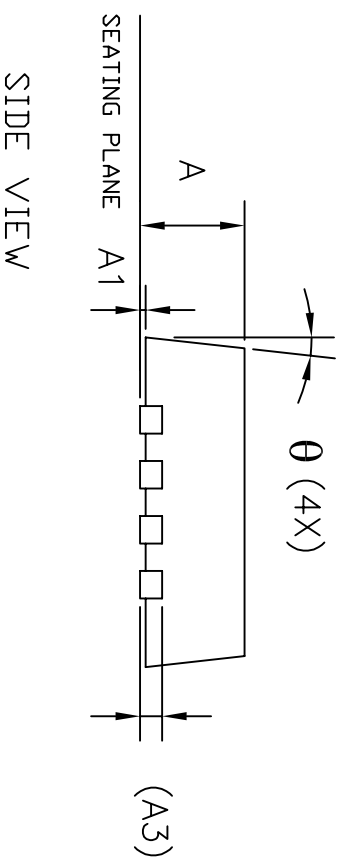
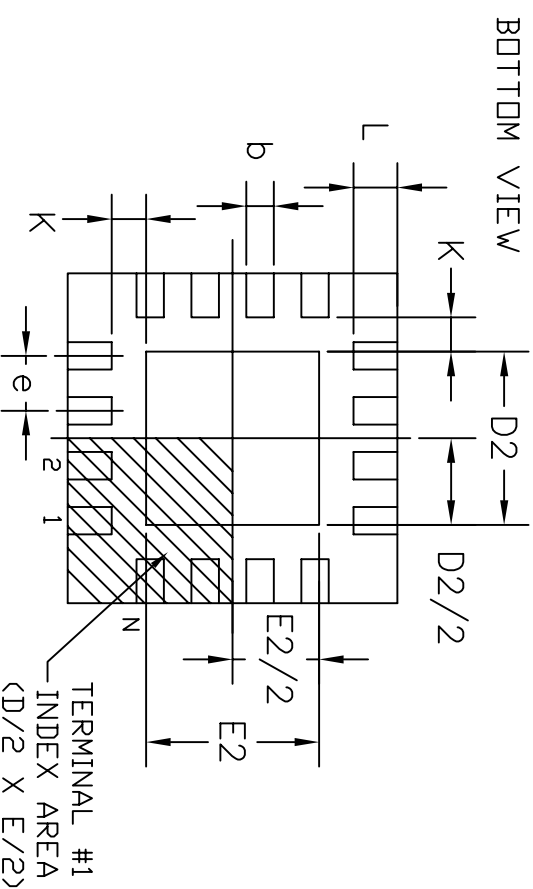
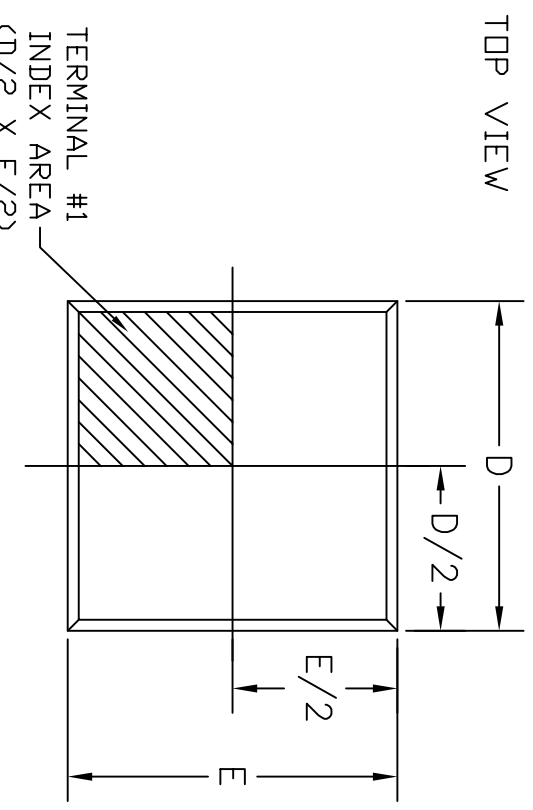


REVISION HISTORY			
REV.	DISCRIPTION	DATE	APP'D
A	DRAWING ORIGINATION	10/12/05	JL
B	REVISE TOTAL PACKAGE THICKNESS	02/24/06	JL
C	MODIFY DRAWING FORMAT	07/20/06	JL
D	CHANGE DRAWING LOGO AND COMPANY NAME	11/21/07	JL



16LD 4x4 TQFN JEDEC MO-220 Variation WGGC-4

SYMBOLS	DIMENSIONS IN MM (Control Unit)			DIMENSIONS IN INCH (Reference Unit)		
	MIN	NOM	MAX	MIN	NOM	MAX
A	0.70	0.75	0.80	0.028	0.030	0.031
A1	0.00	0.02	0.05	0.000	0.001	0.002
A3	0.20 REF			0.008 REF		
b	0.25	0.30	0.35	0.010	0.012	0.014
D	4.00 BSC			0.157 BSC		
D2	2.20	2.40	2.60	0.087	0.094	0.102
E	4.00 BSC			0.157 BSC		
E2	2.20	2.40	2.60	0.087	0.094	0.102
e	0.65 BSC			0.026 BSC		
L	0.45	0.55	0.65	0.018	0.022	0.026
K	0.20	—		0.008	—	
$\theta$	0°	—		0°	—	
N	16			16		
ND	4			4		
NE	4			4		

		<b>EXAR CORPORATION</b>	
Packaging Approval:		16 PIN 4x4 TQFN PACKAGE OUTLINE	
By: JL	Date: 11/21/07	Drawing No: 16-PIN 4x4 TQFN	Revision: D Sheet: 1 OF 1