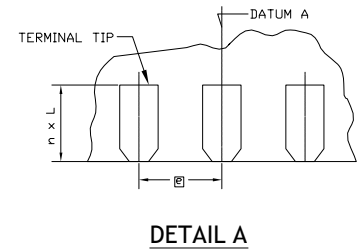
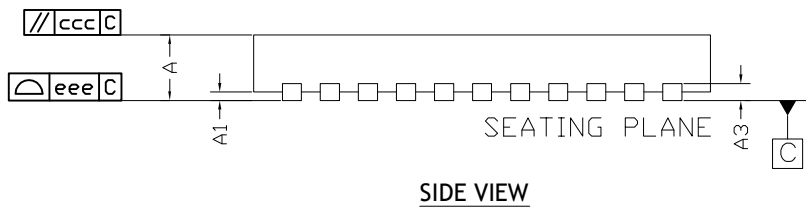
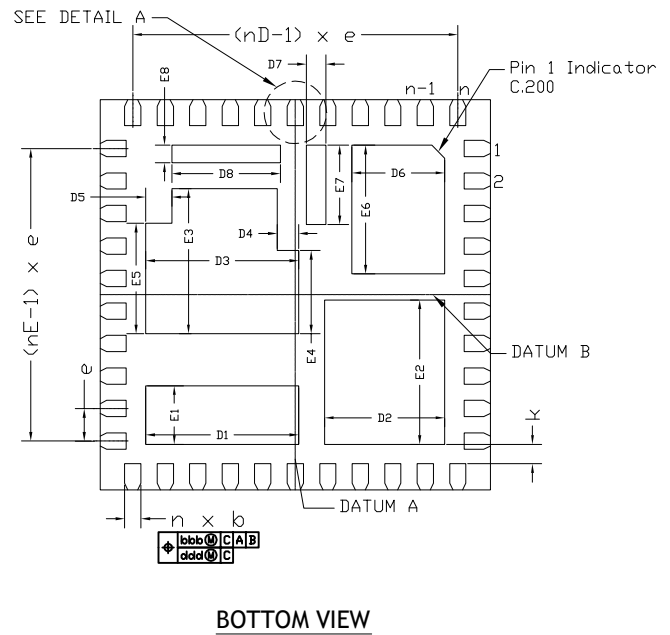
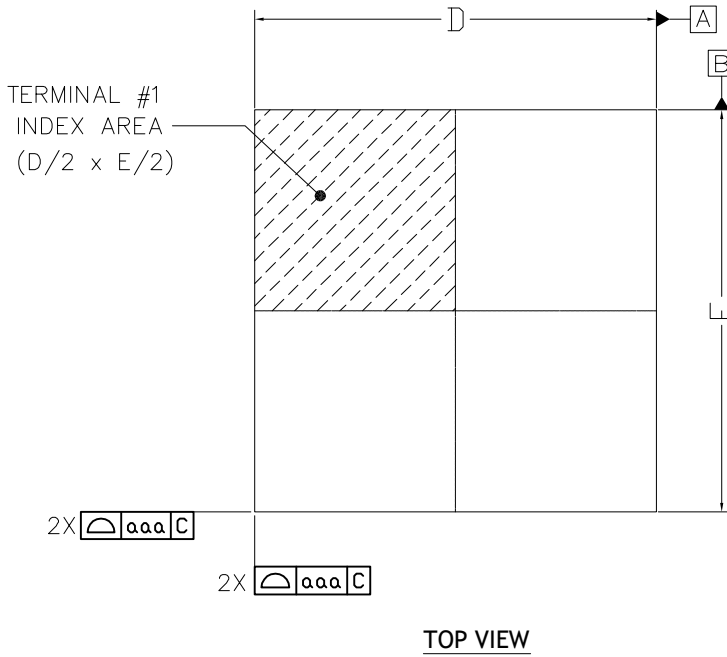
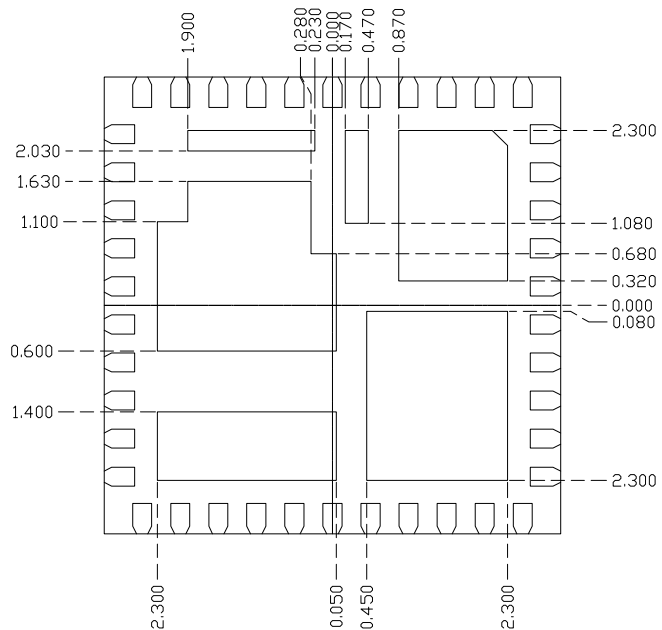


Revision History

REV.	Description	Date	APP'D
A	DRAWING ORIGATION	NOV/18/2016	ECN 1650-12 jh
B	UPDATE LAND PATTERN & STENCIL DESIGN	JAN/18/2018	ECN 1804-09 jh



PACKAGE	42L 6x6 SIP-QFN		
REF.	MIN.	NOM.	MAX.
A	3.90	4.00	4.10
b	0.20	0.25	0.30
L	0.30	0.40	0.50
k	0.20	0.30	0.40
D	6.00 BSC		
D1	2.25	2.35	2.45
D2	1.75	1.85	1.95
D3	2.25	2.35	2.45
D4	0.23	0.33	0.43
D5	0.30	0.40	0.50
D6	1.33	1.43	1.53
D7	0.20	0.30	0.40
D8	1.57	1.67	1.77
E	6.00 BSC		
E1	0.80	0.90	1.00
E2	2.12	2.22	2.32
E3	2.13	2.23	2.33
E4	1.18	1.28	1.38
E5	1.60	1.70	1.80
E6	1.88	1.98	2.08
E7	1.12	1.22	1.32
E8	0.17	0.27	0.37
e	0.50 BSC		
n	42		
nD	11		
nE	10		



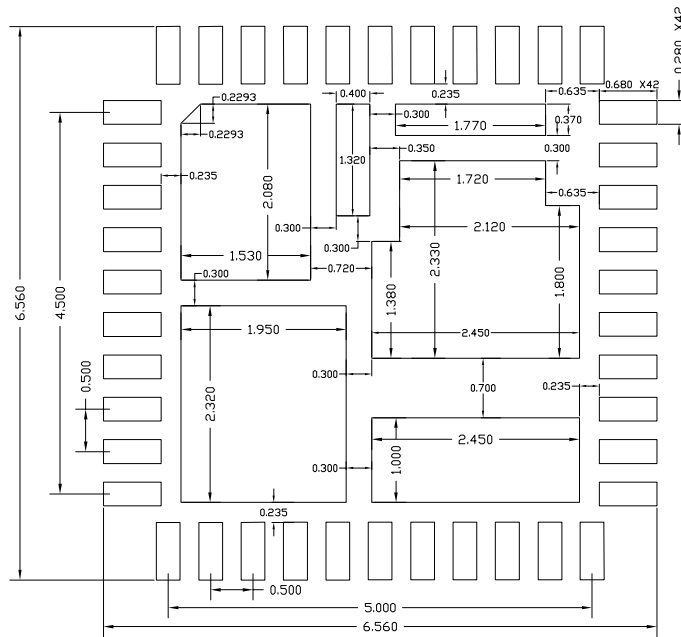
SYMBOL	COMMON DIMENSIONS			NOTE
	MIN.	NOM.	MAX.	
A1	0	0.02	0.05	
A3	0.20 REF.			
TOLERANCES OF FORM AND POSITION				
aaa	0.10			
bbb	0.10			
ccc	0.10			
ddd	0.05			
eee	0.08			

TERMINAL DETAILS

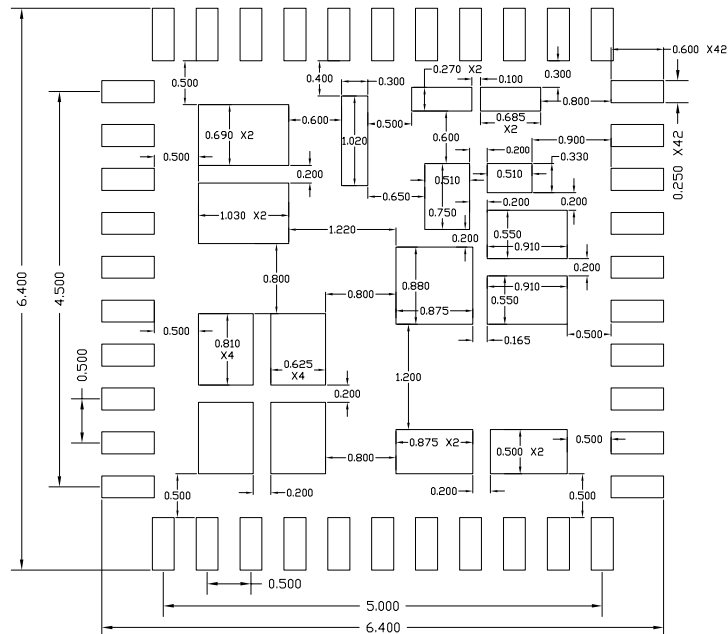
- ALL DIMENSIONS ARE IN MILLIMETERS.
- DIMENSIONS AND TOLERANCE PER JEDEC MO-220.

		MAXLINEAR CORPORATION	
		42LD 6x6x4mm QFN Package Outline Drawing	
Packaging Approval:		Drawing No.: POD-00000103	
By: YG Eom	Date: JAN.18.2018	Revision: B	Sheet 1 OF 2


Revision History			
REV.	Description	Date	APP'D
A	DRAWING ORIGATION	NOV/18/2016	ECN 1650-12 jh
B	UPDATE LAND PATTERN & STENCIL DESIGN	JAN/18/2018	ECN 1804-09 jh



TYPICAL RECOMMENDED LAND PATTERN



TYPICAL RECOMMENDED STENCIL

		MAXLINEAR CORPORATION	
		42LD 6x6x4mm QFN Package Outline Drawing	
Packaging Approval:		Drawing No.: POD-0000103	
By: YG Eom	Date: JAN.18.2018	Revision: B	Sheet 2 OF 2